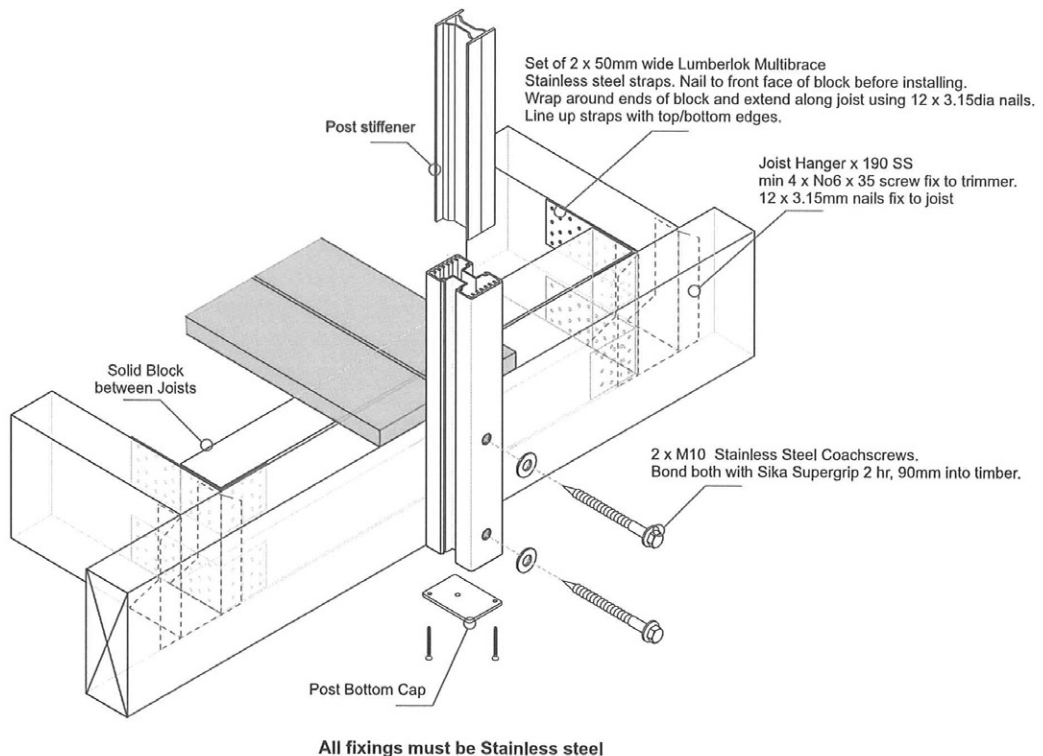
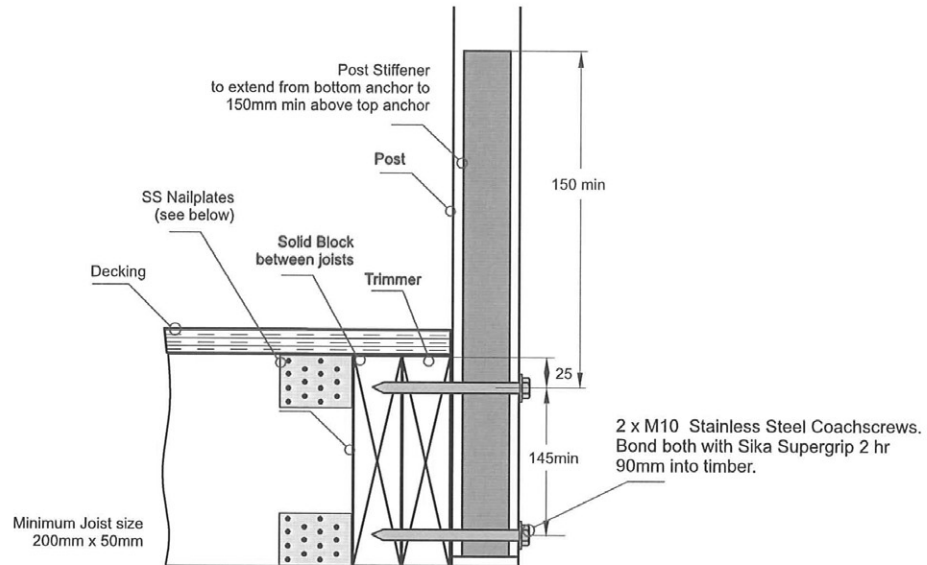


SEMI FRAMELESS ALUMINIUM POSTS

Typical Face Fix to Timber Deck

Using Coach Screws



Design engineer must ensure deck can support a moment of 2.03 KNm applied at each post