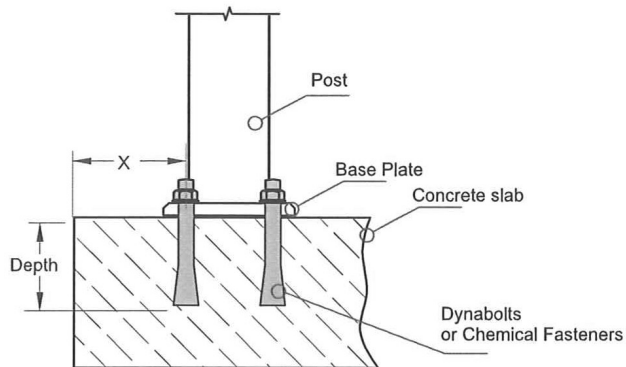


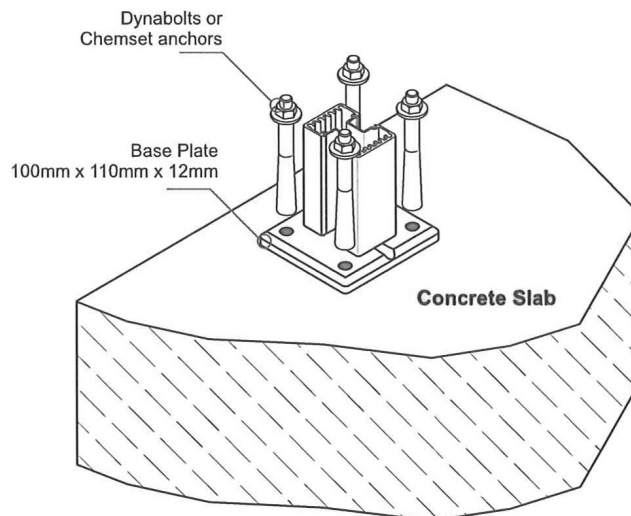
SEMI FRAMELESS ALUMINIUM POSTS

Typical Top Mount to Concrete

Using Type 2 base plate



Base Plate 100mm x 110mm	X (min)	Depth (min)
4 off M10 x 98 Hex Dynabolts, Stainless Steel. DP 12100SS	90mm	75mm
4 off M10 x 90 Chemset Anchors, Stainless Steel + Chemset capsule CS10130SS	35mm	90mm



All fixings must engage into the structural slab

Design engineer must ensure deck can support a moment of 1.7 KNm applied at each post