

# DATASHEET

## PDL356PBSSL-VW

Smart Push-Button Remote Mechanism with LED indicator

### Application

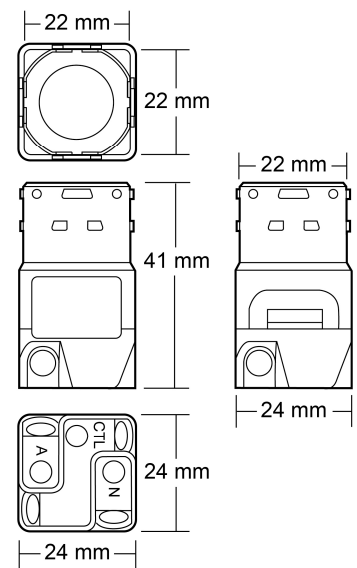
The Iconic Smart Push Button Secondary Mechanism with LED indicator is a three wire modular slave unit providing multiway dimming and switching control for Clipsal ContorlLink enabled master devices. The Secondary mech contains a smart LED indicator that will automatically track the status of the master unit. When used with Wiser Iconic units, it will automatically sync its LED settings aswell simplifying install. For use with all Controllink enabled Iconic Push button devices, the Smart Secondary mech is a simple way to provide seamless multiway control..



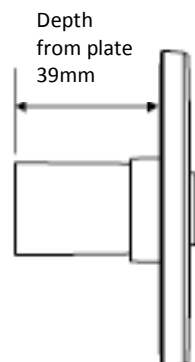
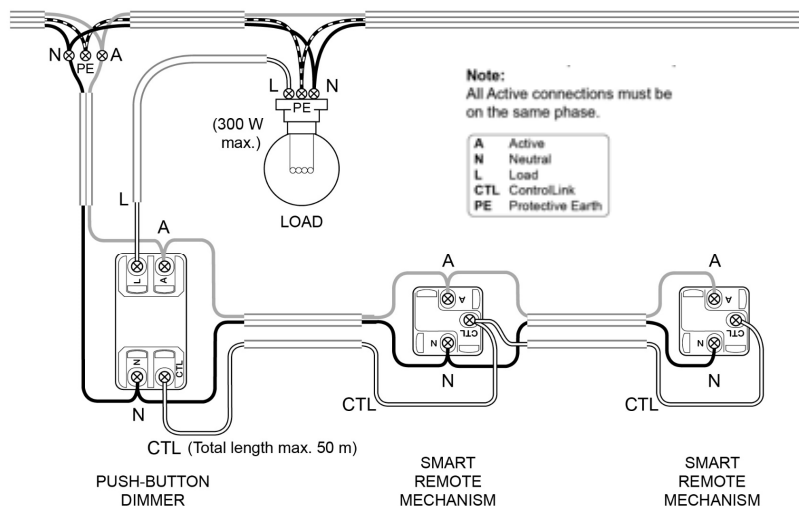
### Functions

- Provides multiway dimming and switching via Controllink using standrd wiring.
- Smart LED indicator automatically tracks the status of the master unit
- Suitable for use with all Iconic Controllink enabled Push button devices.
- LED indicator setting syncs to Wiser enabled devices, and can be adjusted using push button menu.
- Supplied with Vivid White (VW) push button assembly, additional colour options available as parts packs

### Dimensions



### Wiring Diagram



## Specifications

Supply Voltage	220 to 240 V, 50 Hz
Load	ControlLink communication only, no direct load control
Standby Power	Does not exceed 0.5 W
Wiring type	3 Wire (Active, Neutral and ControlLink)
Connection Terminals:	Screw type, square head & combination head (Suits: 3x1.5mm <sup>2</sup> cable, Torque: 0.8Nm)
Max units per plate	6
Multiway control	Yes, up to 5 way ( i.e. using up to 4 x PDL356PBSSL per master unit).
Max ControlLink cable length	50m total length of multiway circuit.
LED Indicator Options	Warm White, default mode: On 10% when load is off, ON full when load is ON. 4 configurable modes
Compatible units	For use only with Iconic ControlLink enabled master devices, (Not a momentary switch)
Depth from plate	39mm, Suits standard and deep wall boxes
Environmental status	Green Premium Product, (environmental profile available)
Compliance	AS/NZS 60669.2.1, AS/NZS CISPR-15
Temperature Ratings	0 to 45 ° C (0 to 60° C storage)
Ambient Operating and Storage Humidity Range	5% to 90% relative humidity, non-condensing (Storage: 5% to 95% C RH non-condensing)
Warranty	2 years
Dimensions	22 H / 22 L / 41cm D

## Ordering Information

Catalogue Number	Description
PDL356PBSSL-VW	Smart Push-Button Secondary Mechanism with LED indicator (provided with VW Push button assembly)

### Accessories

PDL300PBC-VW	PB Mech Colour Cap - Vivid White (pk 5)
PDL300PBC-WY	PB Mech Colour Cap - Warm Grey (pk 5)
PDL300PBC-CY	PB Mech Colour Cap - Cool Grey (pk 5)
PDL300PBC-AN	PB Mech Colour Cap - Anthracite (pk 5)



PDL300PBC-VW

**Schneider Electric (NZ) Ltd**  
Contact us: [sales@nz.schneider-electric.com](mailto:sales@nz.schneider-electric.com)

National Customer Care Enquiries:  
**Tel 0800 652 999**  
[www.pdl.co.nz](http://www.pdl.co.nz)

Schneider Electric (NZ) Ltd reserves the right to change specifications, modify designs and discontinue items without incurring obligation and whilst every effort is made to ensure that descriptions, specifications and other information in this catalogue are correct, no warranty is given in respect thereof and the company shall not be liable for any error therein.