

DATASHEET

354RDMUN-VW

Iconic Rotary Universal Dimmer Mechanism

Application

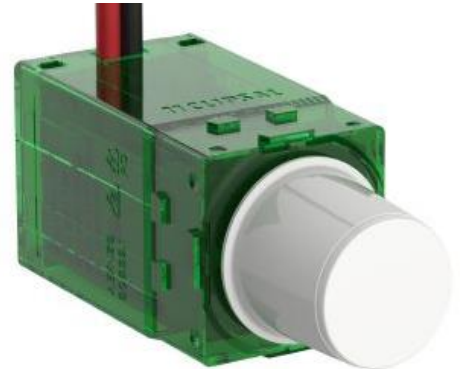
The Iconic rotary universal dimmer mechanism has been designed to provide optimum dimming capabilities to most modern loads. The auto-detect circuitry optimises the dimmer so that the correct mode of operation is automatically selected for dimming leading edge or trailing edge compatible loads

A user configurable minimum brightness setting allows the minimum brightness to be set after the mechanism has been installed into a plate and fixed to the wall.

The robust design includes over-temperature, over-current as well as short circuit protection.

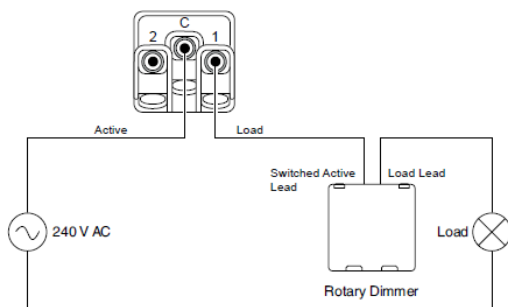
Features

- Robust universal dimming technology for smooth full range control
- 2 wire design, 350W max, 1W min load
- Compatible with many different dimmable loads, including ceiling fan motors.
- Minimum brightness adjustment down to 1% (Load dependent)
- In-built over-current, over-temp and short circuit protection
- Supplied with VW (Vivid White) knob kit
- Additional dimmer knob colour options available as parts packs
- Optimised for controlling Clipsal TPDL series LEDs.

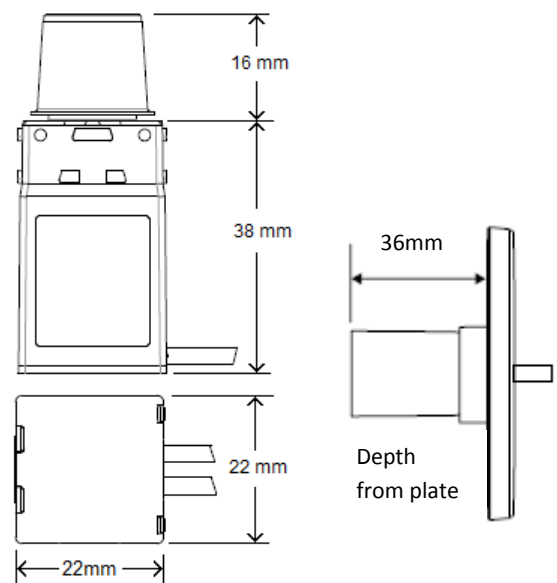
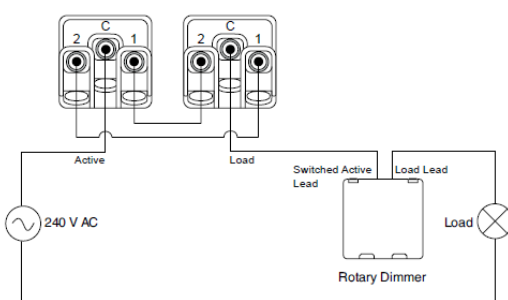


TPDL1C1 LEDs

One-Way Application (example)



Two-Way Application (example)



Specifications

Operating Voltage:	220-240V ac 50Hz
Maximum Load (Dimming):	350 W
Minimum Load (Dimming):	1 W
Dimming Technique:	Trailing or Leading Edge Phase Control (dynamically auto-selected)
Operating Temperature:	0°-45° C
Storage Temperature:	0°-60° C
Ambient Operating & Storage Humidity:	5% ~ 90% Relative Humidity, Non-Condensing
Minimum Brightness adjustment:	Yes, mechanical end-stop, user configurable down to 1% (load dependant)
Compatible Loads:	Dimmable LED lighting with compatible electronic transformers
	Incandescent lighting, Halogen 240 V lamps
	Low voltage halogen/dichroic lighting with compatible electronic transformers
	Low voltage halogen/dichroic lighting with iron core transformers
	Dimmable Linear and Compact Fluorescent Lamps
	Small Motors (Exhaust and ceiling fans)
Connections:	Flying Leads 105mm
Protection:	Short circuit, Over Current and Over Temperature
Safety and EMC Compliance:	AS/NZS 60669.2.1

Derating Details

Mechanisms per Plate	Maximum load per mechanism
1	350 W
2	250 W (each dimmer)
3	150 W (each dimmer)

Ordering details

Catalogue No.	Description
354RDMUN-VW	Rotary Universal Dimmer Mechanism (Note: supplied with VW knob kit)
Accessories	
300KBC-VW	Rotary Dimmer Parts Pack- Vivid White
300KBC-WY	Rotary Dimmer Parts Pack- Warm Grey
300KBC-CY	Rotary Dimmer Parts Pack- Cool Grey
300KBC-AN	Rotary Dimmer Parts Pack- Anthracite



300KBC-VW

PDL New Zealand Ltd

38 Business Parade South, East Tamaki, Auckland 2013

Phone: + 64 (9) 829 0490

Fax: + 64 (9) 829 0491

Customer Care: 0800 652 999 Email: sales@nz.schneider-electric.com

www.pdl.co.nz



As standards, specifications and designs change from time to time, always as for confirmation of the information given in this publication.