

CHEVRON SPECIFICATION SHEET

Artiste Collection Engineered T&G Chevron plank by Forté. 20mm thick, 100mm wide, in 700mm lengths. Direct stick installation method onto substrate. Pre-finished with Italian UV Cured Lacquer.

PRODUCT DETAILS

Collection	Artiste Rustic
Product Type	Engineered Chevron Plank 45° or 60°
Availability	Custom Order Product
Total Thickness	20mm
Width	100mm
Length	700mm
Wear Layer	6mm Solid Smoked European Oak*
Core	Birch Plywood
Construction	14mm Engineered Core + 6mm Solid Smoked Oak wear layer*
Re-sands	Approximately 4-5 (approx. 1mm removed per re-sand)
Surface Texture	Deep wood grain texture
Surface Sheen	Extra Matte
Bevel	Micro-bevel 4 sides
Status	Pre-finished (no additional coats required)
Finish	Italian UV Cured Lacquer
Species	Smoked European Oak* (refer page 2 for details)
Wood Grade	Rustic (refer page 2 for details)
Filler colour	Dark
Crafted in	Europe

The Artiste Rustic Collection is also available in: 250mm planks, Herringbone and Chevron patterns.

**Da Vinci, Van Gogh and Vermeer are Smoked European Oak. Picasso is European Oak (but has not been smoked).*

STRUCTURAL WARRANTY

5 Year Commercial	For terms and conditions see
25 Year Residential	www.forte.co.nz/warranties



Picasso



Da Vinci



Van Gogh



Vermeer

SUSTAINABILITY

Sustainably Sourced

INSTALLATION

Installation Method	Directly Stick / Glue Down (Double Stick for Multi-level)
Suitable Substrates	Plywood, Particle Board, Concrete, existing timber - enquire for others
Joint Profile	Tongue and Groove (4 sides)
Suitable Applications	Flooring, Walls, Ceilings
Suitable Uses	Residential homes, hospitality, retail stores, restaurants, apartments
Underfloor Heating	Compatible with Hydronic Systems - enquire for others
Wet Area Suitability	Contact the Forté team for information 0508 35 66 77

TECHNICAL SPECIFICATIONS

Reaction to Fire (Floors)	Critical Flux 2.2kw/m ² (generic)
Reaction to Fire (Walls and Ceilings)	Group 3 / Class Dfl-s1
Wear Layer Density	700kg/m ³
Formaldehyde Emission AS/NZS 2098.11	E0 (0.12mg/L) & CARB-2 Compliant No added Formaldehyde
Slip Ratings AS/NZS 4586 Dry Test AS/NZS 4586 Wet Test	Classification G, Mean COF 0.55 Classification X, Pendulum Mean 35 BPN

PACK INFORMATION

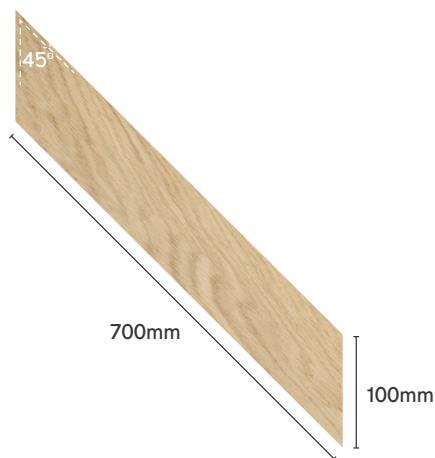
Pack Size	0.72m ²
Pieces per pack	12 pieces (full length)
Pack Weight	10.8kg
Pack Dimensions	W 125mm x L 210mm x H 700mm

Chevron Profile

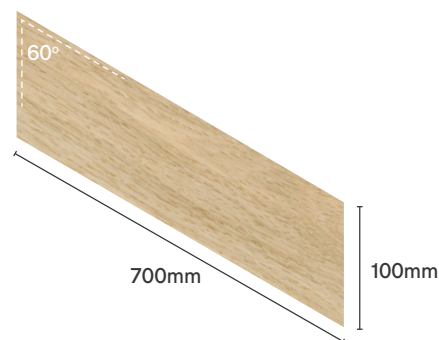
ARTISTE RUSTIC CHEVRON



CHEVRON 45 Degrees



CHEVRON 60 Degrees



ARTISTE RUSTIC – RUSTIC GRADE



An Artiste Rustic, rustic grade plank will typically contain natural colour variation. This grade allows for more frequent, larger knots and sapwood may be expected throughout the planks. Larger cracks and checks will be present and are finished with a dark shade of filler.

SMOKED EUROPEAN OAK



Smoked or fumed timber has been treated to alter the colour depth and tonal variation of the wood. To find out more, visit forte.co.nz/advice/what-is-smoked-timber

Care and Maintenance

RESIDENTIAL AND COMMERCIAL CARE AND MAINTENANCE

Forté's Product Specialists have collated our care and maintenance recommendations to ensure your flooring looks like new for years to come. Residential and Commercial projects require different levels of care and maintenance. Visit www.forte.co.nz/careandmaintenance

Structural Warranty

ARTISTE RUSTIC 25 YEAR RESIDENTIAL STRUCTURAL WARRANTY

The Artiste Collection comes with a full 25 year Residential Structural Warranty. For full warranty terms and conditions, please visit www.forte.co.nz/warranties

ARTISTE RUSTIC 5 YEAR COMMERCIAL STRUCTURAL WARRANTY

The Artiste Collection comes with a full 5 year Commercial Structural Warranty. For full warranty terms and conditions, please visit www.forte.co.nz/warranties

Installation

THE ARTISTE RUSTIC COLLECTION MUST BE INSTALLED BY A TRAINED PROFESSIONAL

Please ensure that you have read and understood the installation guidelines before proceeding to install Artiste Rustic timber flooring. If you have any questions or concerns, please call the Forté technical team on 0508 35 66 77. Failure to adhere to the Forté Installation Guidelines may void your warranty.

For full installation guidelines, please visit www.forte.co.nz/installation