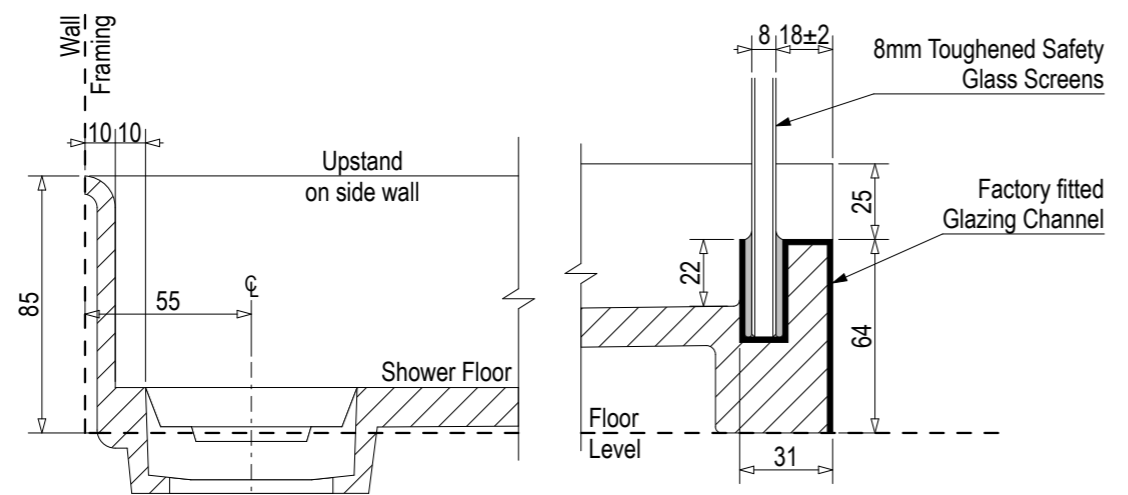
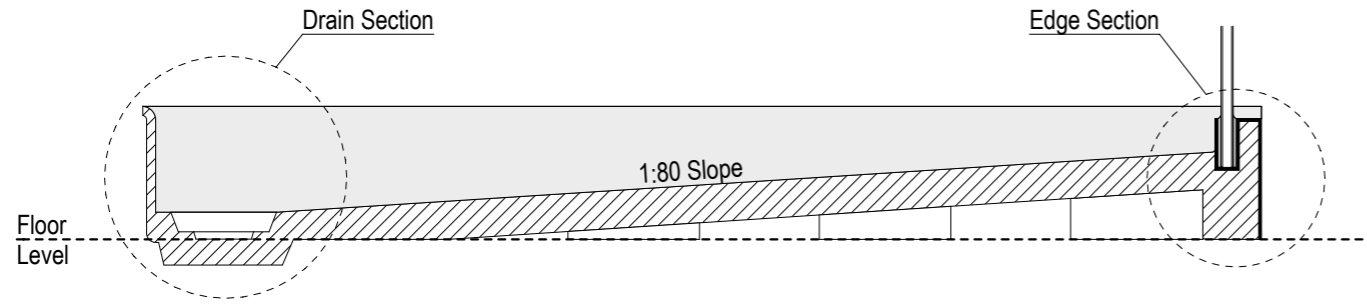
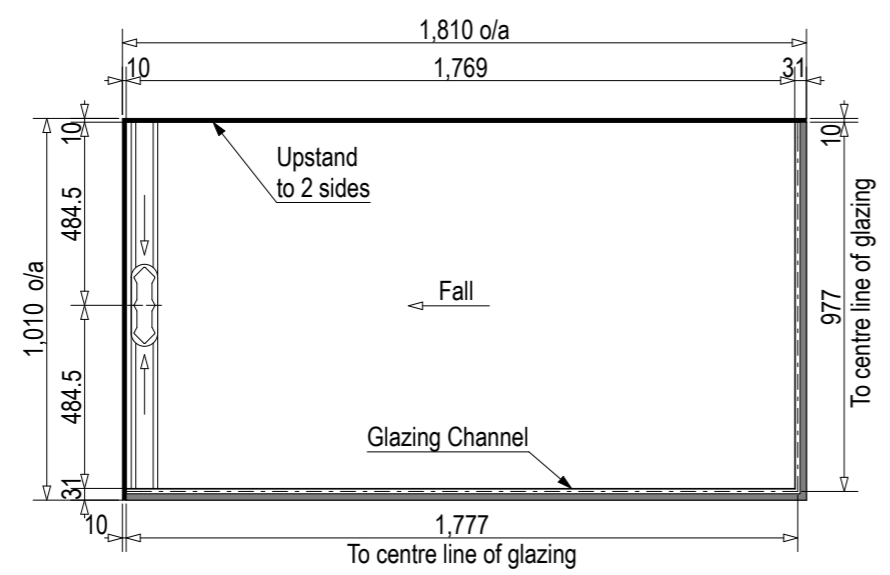


Note: Drain position central unless dimensioned otherwise

Step Entry

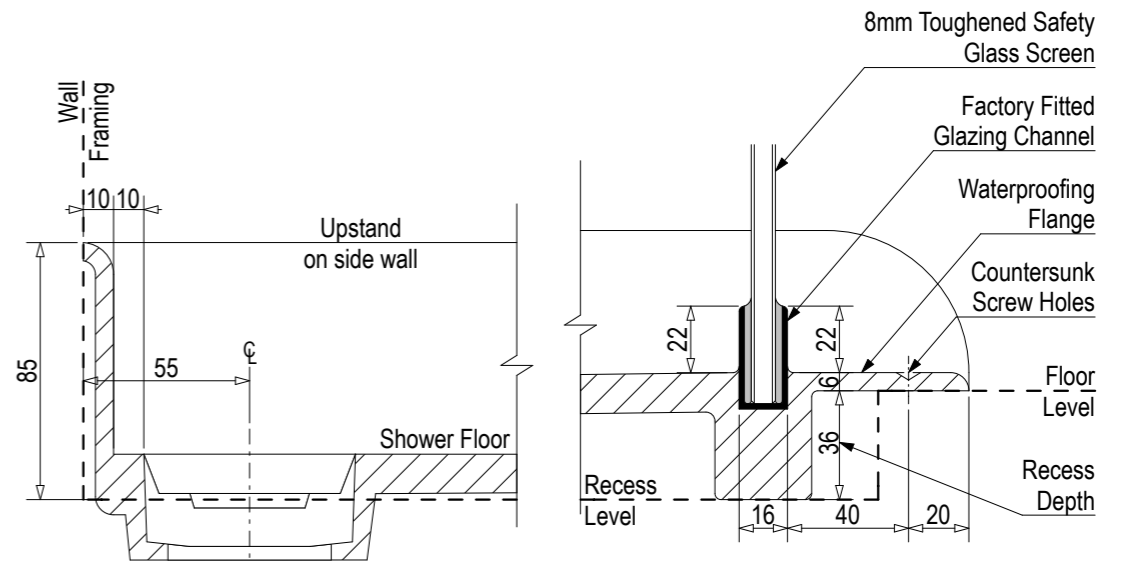
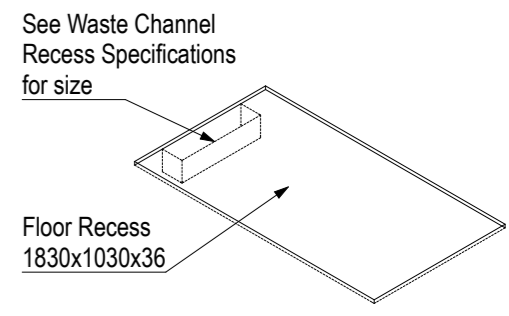
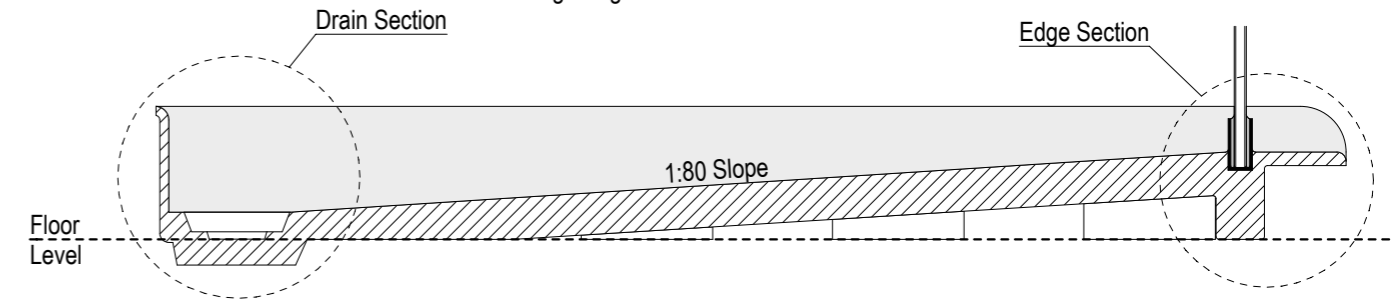
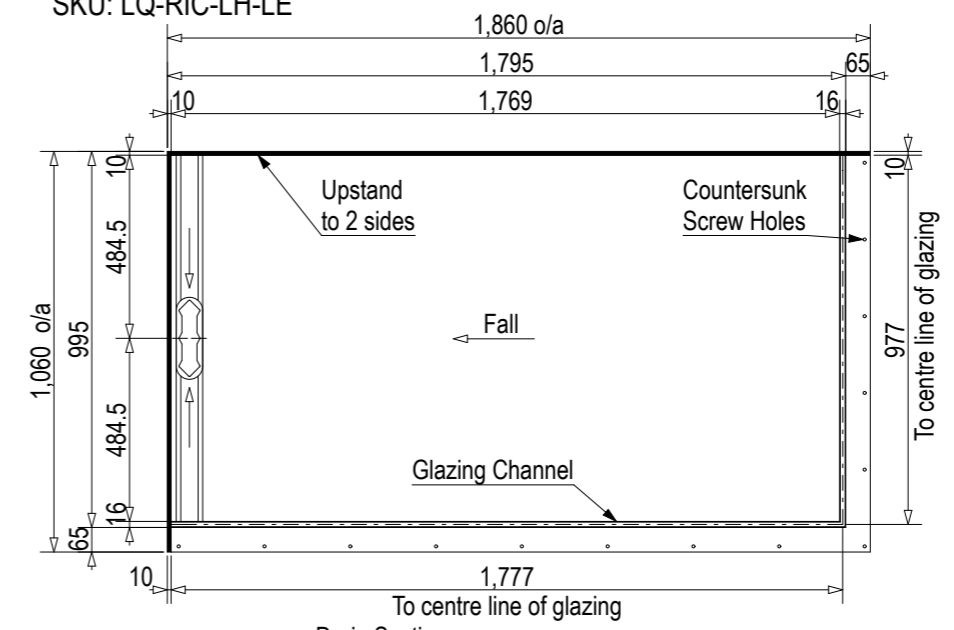
SKU: LQ-RIC-LH-ST



See Waste Channel Recess Specifications for depth information under floor

Level Entry

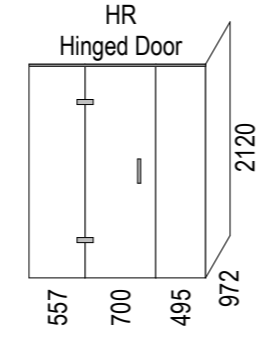
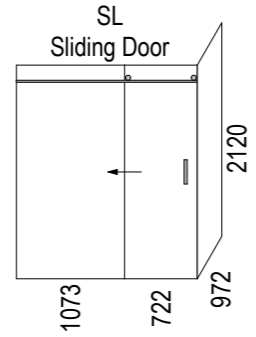
SKU: LQ-RIC-LH-LE



See Waste Channel Recess Specifications for depth information under floor

Note: Verify exact shower base dimensions on site

Screen Options:



For more product information go to:
www.atlantis.co.nz/shop/linea-quattro/richmond-1800x1000/

For installation instructions go to:
www.atlantis.co.nz/trade/installation/

AQUAPLANE WASTE FITTING

- EasyClean Waste with in-built trap
- 50L/min ultra flow rate
- Removable fin for easy cleaning
- 40/50mm outlet with swivel fitting
- Components bolt together for guaranteed watertightness

