

# Bring the details to light

Accent MX Powercore gen2 and Compact

Product guide







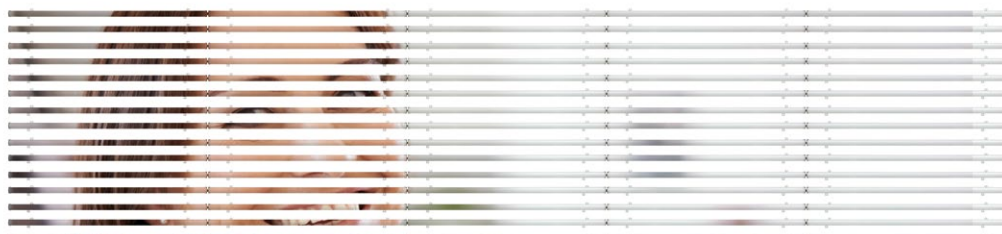
# Accent

## MX Powercore gen2 and Compact

The Accent family of direct-view luminaires lets you choose the form factor, viewing angles, and luminaire length that match your needs.



With Accent, you can customize the resolution of the LED nodes to create the right look—one that delivers your message and visual content clearly and effectively.



2

**Introduction**

4

**Design**

6

**What makes Accent  
different?**

8

**Meet the family**

12

**Key features**

14

**Maximizing control**

16

**Accent showcase**

22

**Accent MX  
Powercore gen2  
specifications and  
information**

24

**Accent Compact  
specifications and  
information**



# Accentuate key details, set a mood.

Every building is a blank canvas. Some stay blank—plain by day and dark by night, while others are lit using traditional flood lighting. But imagine a building that is the light—displaying large-scale video, captivating effects, and important information on its exterior. While traditional lighting washes, grazes, or spotlights, direct-view luminaires are mounted directly on a building, sending light out directly to viewers. With direct-view luminaires, you can revitalize and beautify urban areas, communicate directly with a crowd, and turn a dark building—or bridge, historic landmark, and beyond—into a fascinating, evolving work of art. That's what the **Accent family of direct-view linear LED luminaires** is bringing to high-profile sites around the world.

Direct-view luminaires represent a different approach to lighting, one that we pioneered more than a decade ago. You'll find our direct-view LED luminaires bringing new excitement, attention, and beauty to landmark buildings, bridges, stadiums, and other iconic structures around the world. The Accent family is a cornerstone of our family of direct-view lighting solutions, creating addressable *lines of light* that highlight architectural details—transforming buildings from dull to dazzling. These lines of light can also display video, stunning color effects, messages, and more. Accent is a proven success, performing flawlessly at high-profile, large-scale sites and enhancing the skylines of cities, large and small.

## **Want to get noticed? Accent is the answer.**

Lighting designers often approach lighting in the context of *points*, *planes*, and *lines*. We designed Accent linear LED luminaires to fit seamlessly on the exteriors of new or existing buildings, giving them a new, more distinctive look. All with beautiful ribbons of carefully controlled LED light—white, tunable white, color, or dynamic color.

Accent delivers lines of individually addressable LED nodes enclosed in a resilient, rugged form factor. Each LED node can be individually controlled, turning each luminaire into a row of pixels—like a building-sized television screen. These pixels can be used to deliver a range of applications—from white or color effects that engage and evolve to messages that inform to elaborate video shows that dazzle. No matter what you choose to say or show on your building, Accent can make it happen—quickly, simply, and reliably.









# Color and White Options

Accent luminaires create long lines of intense, high-quality color, dynamic color, or white light. While color direct-view luminaires are popular, some projects require white light only. Accent MX and Accent Compact deliver exceptional color and dynamic color light via iColor technology. But Accent Compact is also available in tuneable IntelliWhite (iW) and Essential White (eW) models for exceptional white light.



**RGBW** luminaires add a separate white LED creating better-quality whites compared to RGB.



**RGB** luminaires are the standard RGB option for intensely saturated light.



**IntelliWhite** luminaires combine channels of warm and cool white LEDs offering a range of color temperatures that are easily adjustable. Available for iW Accent Compact.



**Essential White** luminaires offer a single channel of white light. Available in 2700 K and 4000 K.





# What makes **Accent** different?

The Accent family of direct-view linear LED luminaires addresses the need for a new, creative way to highlight the bold silhouettes and architectural lines of buildings and iconic structures. As architecture has evolved from bricks and mortar to steel and glass, traditional lighting methods no longer apply. After all, you can't light a glass façade with a floodlight. Accent luminaires bring a new approach to lighting, one that's different, effective, and attention-getting. But that's just the beginning of the advantages that the latest generation of Accent delivers.

Accent delivers an unbeatable combination of exceptional performance, remarkable ease of installation and use, and year-after-year reliability. Here's what makes Accent the right choice for your project:

**Daylight Visibility.** While traditional luminaires beam light onto surfaces, direct-view luminaires beam it out into the distance. So to ensure maximum visibility—even in daylight—direct-view luminaires need to be exceptionally bright. Accent luminaires deliver bright light output—up to 591 lumens with Accent MX. And our lumen measurement complies with IES LM-79-08 testing procedures for accuracy.

**Choice of Form Factors.** Buildings and other structures vary in shape, structural details, and size. That's why Accent is available in two main form factors—iColor Accent MX Powercore gen2 and Accent Compact—enabling you to choose a luminaire that's best for your project. As its name implies, Accent Compact is smaller and lighter, and available in iColor, iW and eW luminaires. Different luminaire lengths—including 1-, 2-, and 4-foot options—let you match the exact dimensions of almost any structure. A choice of translucent or clear lenses provide different beam angles, controlling the amount of light output to suit your needs.

**Resolution Control.** Accent luminaires give you precise resolution control—with LED node spacing as close as 19 mm (0.75 in) with Accent Compact.

**Simple Installation.** Intuitive mounting options and connectors make it easy for installers to make Accent part of your building.

**Proven Reliability.** Thanks to smart design, extensive testing, and years of experience, Accent delivers unbeatable reliability, even in the most adverse conditions we've encountered around the world—from bridges sprayed with caustic ocean salt spray to the wind-buffed exteriors of tall buildings.

**Complete Solution.** An advanced, reliable luminaire is a critical part of your lighting solution, but it's not the only element that matters. That's why Color Kinetics offers a full range of complementary solutions—including controllers, power/data supplies, and much more. All designed and optimized to ensure seamless integration and years of trouble-free operation.



# Choose the **Accent Luminaire** that meets your needs

The full Accent family of direct-view LED linear luminaires brings you different form factors and lengths—including **Accent MX** and **Accent Compact**, letting you choose the luminaire that's right for the scale and design of your specific project. Choose from iColor (saturated RGB color light), IntelliWhite (tunable white light), and Essential White (single-channel white light); outputting the white or color light that achieves your vision. And choose the luminaire length and lens (and beam angle) that's right for your project.

## iColor Accent MX Powercore gen2: In it for the long run



**iColor Accent MX Powercore gen 2** combines high visibility, long run length, and proven reliability. To summarize the response from our customers—Accent MX looks fantastic and gets attention, even from a considerable distance. It keeps performing brilliantly and reliably, year after year, even in the most demanding settings imaginable—wind, salt spray, vibration, heat/cold, and other real-world challenges.

This direct-view linear luminaire has a proven track record of providing the precision it takes to display large-scale video, graphics, and intricate effects on high-profile building exteriors, casino entrances, sports venues, bridges, and much more. Accent MX luminaires can be addressed and controlled in increments down to 30 mm (1.2 in), or up to 1.2 m (4 ft)—making Accent MX right for large-scale installations and other installations that require maximum resolution and visibility.

### **What makes iColor Accent MX Powercore gen 2 different?**

The key differentiators are in the name—iColor Accent MX Powercore. iColor gives you precision control over color, letting you achieve your artistic vision or match corporate branding. Accent also integrates Powercore, our patented approach to power output, which controls power to luminaires directly from line voltage. This faster, more efficient, and accurate approach does away with the run-length limitations of low-voltage luminaires, which require auxiliary power sources. Color Kinetics Data Enabler Pro merges line voltage with control data and delivers both to luminaires over a single standard cable, dramatically simplifying installation and lowering total system cost.

Accent MX is available in 2 foot and 4 foot lengths, which can be easily connected to create long continuous lines of intense, dynamic color. With Accent MX, you can install run lengths of up to 100 m (328 ft)—all with the simplicity of line voltage. Native, onboard Ethernet via Data Enabler Pro supports long runs *without* being limited by DMX data and addressing constraints.

Count on Accent MX to take on even the largest buildings and most complex applications requiring hundreds or even thousands of luminaires—and deliver remarkable results. All with exceptional reliability.



## iColor Accent Compact

Exceptional brightness in a streamlined form factor



We created **iColor Accent Compact** because our customers asked for a lighter, more compact direct-view linear luminaire. Like Accent MX, **Accent Compact** displays large-scale video, graphics, and intricate effects. Its compact form factor and lighter weight makes Accent Compact appropriate for

a wide range of structures and applications—including smaller buildings and structures that need a compact, lighter luminaire. But its smaller size doesn't come at the expense of brightness. In fact, Accent Compact is brighter than Accent MX.

Accent Compact luminaires can be addressed and controlled in increments down to 19 mm (0.75 in), or up to 1.2 m (4 ft)—making it flexible enough to provide the overall look and resolution you want. Up to four fixture lengths let you match the dimensions of almost any structure. The smaller luminaires allow for extra flexibility when space is tight or façades are curved.

### Compact and capable

Accent Compact lets you create impressive color and dynamic color effects with a luminaire that's lighter and more compact. Its low voltage design keeps the luminaire light, and enables run lengths of up to 48 feet (14 meters) per power supply, using 12 4-foot luminaires\*. Choose from two lens options—a clear lens that delivers the brightest output or a translucent lens for the widest viewing angle.

Native, onboard Ethernet control via the PDS-400 48V EO data controller supports long control runs not subject to DMX data and addressing limitations. And like all Accent luminaires, Accent Compact's rugged, durable aluminum housing resists shock, vibration, and rough handling.

\* Run lengths depend on the specific installation, and will depend on the choice of luminaire type and length, use of jumper cables, and other variables.

## Accent Compact offers white light options

For some projects, traditional white light is the optimal solution. If you want white light for your direct-view application, Accent Compact has two options—iW Accent Compact (Intelligent White) and eW Accent Compact (Essential White).



- **iW Accent Compact.** These tunable white light direct-view LED luminaires combine cool, neutral, and warm white LEDs to create a range of color temperatures. By adjusting the color temperature from warm (more yellow/red) to cool (more blue), you can create the exact effect you want to achieve.



- **eW Accent Compact.** As a single-channel option, these luminaires simplify your choice of white light, letting you choose solid white light in 2700 K and 4000 K options.

These white-light options share the same advantages and options of iColor Accent Compact, including compact size, a range of luminaire lengths, beam angle options, and clear or translucent lens options. And no matter what Accent luminaire you choose, its rugged extruded aluminum housing and polycarbonate lens ensure maximum reliability.









## Accent includes advanced technologies from Color Kinetics

Color Kinetics is setting new standards for consistency and accuracy by developing advanced technologies that are integrated into our luminaires, including the Accent family. These technologies work together to deliver the ever-escalating levels of accuracy required by our customers—and their innovative and ambitious projects.

**Optibin**—our LED optimization technology—begins the color consistency process by grouping (or binning) LEDs by flux as well as center wavelength. This proprietary binning optimization process uses an advanced bin selection formula that exceeds industry standards for chromaticity to guarantee uniformity and consistency of hue and color temperature for all our luminaires. ***Integrated into all Accent luminaires.***

**Chromasync**—our color consistency technology—adjusts the color point with pinpoint precision to deliver improved color consistency from luminaire to luminaire. With Chromasync, colors are more consistent, regardless of the specific LEDs used, date of manufacture, and other manufacturing variables. Chromasync allows Accent luminaires to achieve high color precision. With Chromasync enabled, luminaires within the IntelliHue family can achieve color variation of less than 2 MacAdam ellipses (2 SDCM) across multiple luminaires—without programming or additional manual tweaking to find the optimal output and color mix. ***Integrated into all Accent luminaires.***

**Powercore**—our patented approach to power output—merges line voltage with control data and delivers both to luminaires over a single standard cable, dramatically simplifying installation and lowering total system cost. ***Integrated into all Accent MX luminaires.***

To find out how innovative technologies within our advanced luminaires can help you do more visit [www.colorkinetics.com/Learn](http://www.colorkinetics.com/Learn).



# Accent

Designed to deliver exceptional direct-view light

## Lens Options.

Accent MX uses a translucent, UV-protected polycarbonate lens specially designed for direct-viewing—offering exceptional viewing angles (250°, 220°, and 180°) while ensuring uniform color mixing.

Two lens choices are available for Accent Compact—a clear lens that delivers the brightest output, and a translucent lens (also made of UV-protected polycarbonate) for the widest viewing angle (210°).

## Length Options.

Accent MX is available in 610 mm (2 ft) and 1220 mm (4 ft) options.



Accent Compact is available in 305 mm (1 ft), 610 mm (2 ft), and 1220 mm (4 ft) lengths.



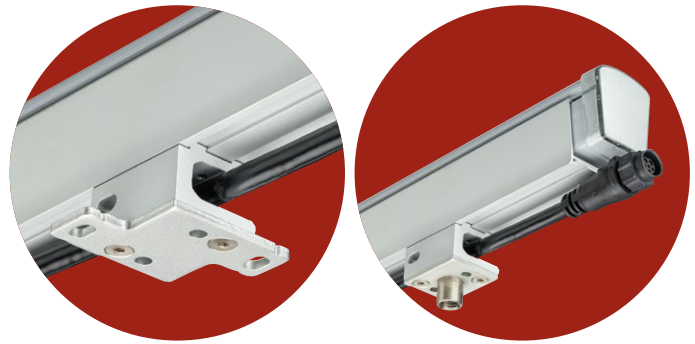
Accent Compact, RGBW is available in 4 lengths. See General Information on page 24.

**Rugged Design.** For maximum reliability, year after year, all Accent luminaires feature an extruded aluminum housing with UV-protected polycarbonate lenses. This IP66-rated fixture meets even the most challenging requirements, resisting wind, rain, sand, heat, and more.

iColor Accent MX  
Powercore gen2



**Color or White Light.** Choose from iColor (Intelligent Color), iW (IntelliWhite), or eW (Essential White) options.



**Mounting Options.** A front mounting bracket attaches Accent Compact securely to your building or structure. However, if you want a cleaner profile, we also offer an optional rear mounting post.

**Precise Resolution.** Accent lets you achieve resolutions as fine as 30 mm (1.2 in) for MX and 19 mm (0.75 in) for Accent Compact—allowing scalability of video resolution to fit your needs.



**Smart Connectors.** Overmolded end-to-end locking connectors supply power and data. Add extra space with jumper cables, if necessary.

iW Accent Compact  
Clear Lens

iColor Accent Compact, RGBW  
Clear Lens

iColor Accent Compact, RGBW  
Translucent Lens



# Exceptional lighting takes more than a luminaire

To unlock the full potential of your Accent luminaire, you need the right components to power and control it. Color Kinetics completes your solution with:

## **Controllers**

Our broad line of controllers brings you differing capabilities that match your specific needs, the complexity of your project, and your budget. Our controllers offer the industry-standard DMX protocol or our proprietary, scalable KiNET protocol for Ethernet networks. Because of addressing limitations, DMX is appropriate for relatively simple installations, or for light shows in which multiple luminaires operate in unison. Because it is not subject to DMX addressing limitations, Ethernet is the preferred environment for intricate color-changing light shows. And Accent can also be used with third-party controllers.

## **Monitoring and Management**

ActiveSite is the first-ever cloud-hosted connected lighting system for architectural LED lighting installations. ActiveSite allows you to remotely monitor, manage, and maintain an installation site from anywhere in the world, using a secure web connection.

## **World-class Accent luminaires**

## **Power/Data Supplies**

iColor Accent Compact accepts Ethernet input from the PDS-400 48V EO to support long runs not subject to DMX data and addressing limitations. Accent MX accepts Ethernet input from Data Enabler Pro.







# Accent Showcase

## Example 1 Urban beautification starts with light

Color Kinetics lighting solutions bring new beauty, attention, and pedestrian traffic to Moscow's downtown and central districts—adding state-of-the-art architectural lighting effects to buildings and shops along its famous avenues. Four high-rise structures feature open-book style façades—exterior faces split at an angle along a central spine—that face a well-traveled street. These formerly blank canvases were transformed with immersive, low-resolution video featuring iColor Accent MX Powercore luminaires, as well as other Color Kinetics direct-view lighting solutions.



Photography: Stas Zhurov

### Product

iColor Accent MX Powercore



## Example 2 A dynamic visual icon in Perth, Australia

This massive stadium features an extensive, state-of-the-art lighting solution considered one of the largest sports lighting installations in the world. Creating this visually impressive effect at this multi-use stadium requires more than 22,000 LED luminaires. Among them, you'll find hundreds of iColor Accent Compact, RGBW luminaires along the stadium façade—creating a dynamic visual resource that can change to reflect the current teams playing at the stadium, or to enhance concerts or other events.



Photography: Signify

---

### Product

iColor Accent Compact, RGBW

---



# Accent Showcase

## Example 3 A southern port takes on a new glow

Dark for more than a decade, the Corpus Christi Harbor Bridge now glows with more than 11,000 individually addressable color-changing nodes—which providing stunning light shows enjoyed nightly by locals and tourists. iColor Accent MX Powercore fixtures create a low-resolution video wall across the main arc of the structure, enabling programmed light shows that have transformed the bridge into a local attraction, boosting the local economy. For example, the city recently synchronized the bridge lighting with a live performance of the Corpus Christi Symphony Orchestra. The Color Kinetics luminaires have proven extremely reliable, withstanding the corrosive Gulf Coast environment.



Photography: Tumlinson Photography

---

### Product

iColor Accent MX Powercore

---



## Example 4 Attracting tenants to luxury condos

To differentiate 444 Madison Avenue from other high-profile buildings on the block, developers created an impressive media sculpture in the building's lobby and façade. Using dozens of iColor Accent MX Powercore luminaires, this 9.8 m (32 ft) wide by 3 m (10 ft) tall light sculpture displays abstract digital video sequences—from seasonal images to images that mimic the movements of pedestrians and vehicles passing in front of the building.



Photography: Frederick Charles

### Product

iColor Accent MX Powercore



# Accent Showcase

## Example 5 Dubai hotels create vibrant visual identity

With their graceful, curved architecture, vibrant exterior lighting, and towering height, the InterContinental and Crowne Plaza hotels dominate the skyline of Dubai. Along the exteriors of these impressive structures, iColor Accent MX Powercore direct-view linear LED luminaires enable programmable, shifting colors that let the hotels participate in any event in Dubai Festival City. This impressive exterior lighting installation gets attention now—while providing a reliable solution that delivers years of trouble-free operation.



Photography: David Butcher

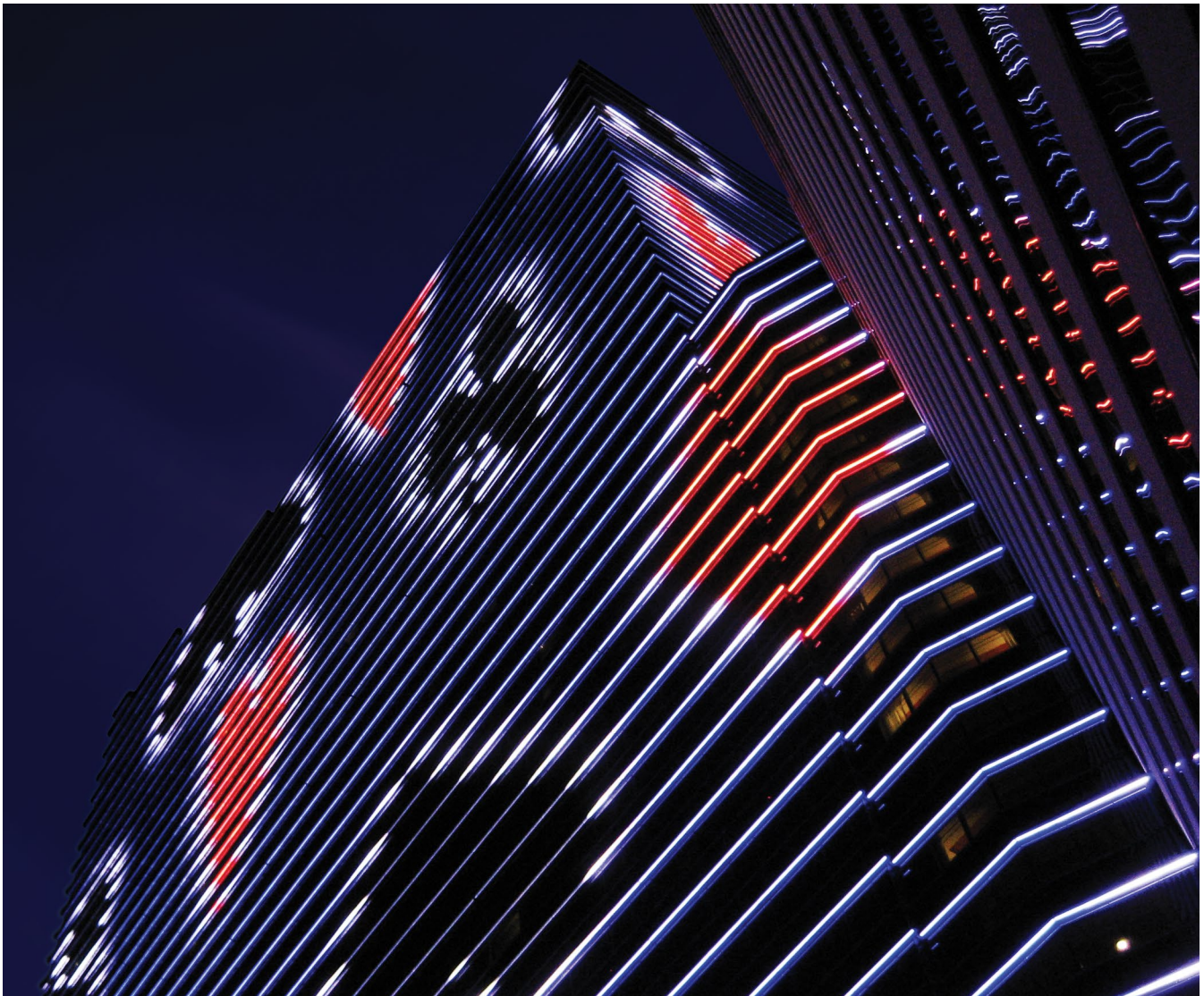
### Product

iColor Accent MX Powercore



## Example 6 Casino façade rolls with 44-story tumblin' dice

Harrah's Resort and Casino created one of the world's largest outdoor video displays by covering the façade of the 44-story Waterfront Tower in a linear array of over 4,500 iColor Accent Powercore fixtures. The goal? To get attention and differentiate the tower from neighboring structures. Approximately 33,000 linear feet— almost six linear miles—of Accent luminaires wrap around the four facades of the Waterfront Tower. From dusk to dawn, the entire building turns into a large video screen—displaying scenes that range from celestial (stars, comets, shooting stars) to patriotic (a waving American flag and fireworks) to casino-inspired (rolling dice, scrolling card suits).



Photography: Tim Hunter Design

### Product

iColor Accent MX Powercore



# Specifications and information

	Lumens per foot	Efficacy lm/w	Power per foot
<b>iColor Accent MX Powercore gen2</b>	148	19.3	10 W

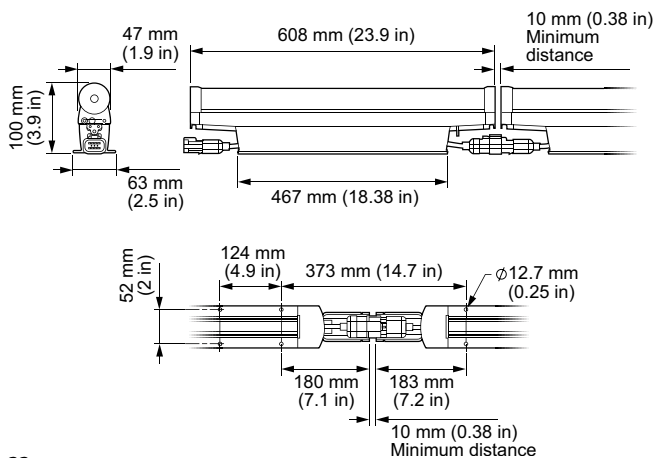
## General Information

<b>Viewing Angle</b>	120° x 225°
<b>LED Channels</b>	Red/Green/Blue
<b>Input Voltage</b>	100 to 240 VAC, auto-ranging, 50/60 Hz
<b>Housing Material</b>	Sealed plastic and extruded aluminium
<b>Lens</b>	Translucent UV-protected polycarbonate
<b>Vibration Resistance</b>	Complies with ANSI C136.31, 3G
<b>Mechanical Impact</b>	IK10
<b>Approbations</b>	UL/cUL, CE
<b>Environment</b>	Dry/Damp/Wet Location, IP66

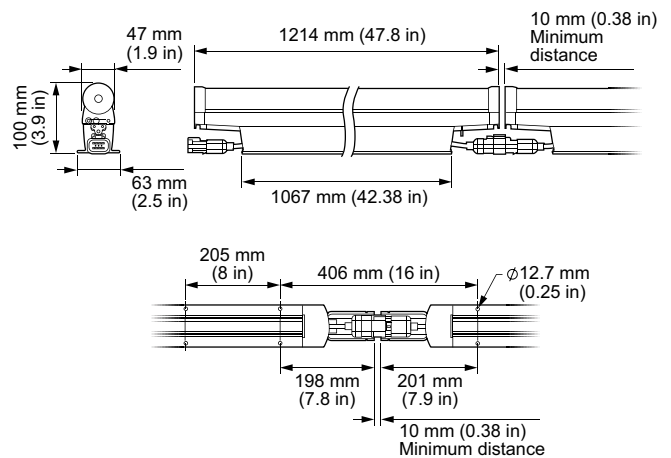
<b>Weight</b>	<b>610 mm (2 ft)</b> 2 kg (4.5 lb)	<b>1219 mm (4 ft)</b> 4.2 kg (9.3 lb)
<b>Dimensions</b>	100 x 608 x 63 mm (3.9 x 23.9 x 2.5 in)	100 x 1214 x 63 mm (3.9 x 47.8 x 2.5 in)

## Dimensions

### 608 mm (2 ft)



### 1214 mm (4 ft)





## For further information

Complete details including Installation Instructions, Specification Sheets, .ies files, and product drawings can be found on the product page.



[iColor Accent MX Powercore gen2](#)

## Accessories

Accessory options lets you customize iColor Accent MX Powercore gen2.

	Item Number	Signify 12NC
Leader cable with terminator and strain relief, 15.2 m (50 ft)	108-000028-01	910503700086
Jumper Cable, 305 mm (1 ft)	108-000029-03	910503700087
Jumper Cable, 610 mm (2 ft)	108-000029-06	910503700090
Jumper Cable, 1.5 m (5 ft)	108-000029-05	910503700089
Jumper Cable, 3 m (10 ft)	108-000029-04	910503700088
<b>Power Supplies</b>		
Data Enabler Pro 3/4 in / 1/2 in NPT (U.S. trade size conduit)	106-000004-00	910503701210
Data Enabler Pro PG21/PG13 (metric size conduit)	106-000004-01	910503701211

## Configuration and planning

Regardless of the size and complexity of your installation, the planning time you spend up front can help streamline the installation and configuration of your luminaires. Keep these points in mind as you plan your installation:

### Want to display video on your structure?

You may be a lighting designer who wants to tap the power of video, a municipality that wants to turn a landmark into an icon, or a building owner/manager who wants to draw attention to your office tower, stadium, casino, or other structure. Before you dive into video, there are some initial questions you need to ask yourself, key elements you'll need to create a complete solution, and some specific technical considerations that you need to address by reading [Color Kinetics Video Guideline](#).

### Configuration Calculator

Create a lighting design plan that identifies and locates all luminaires, Data Enabler Pro devices, and controllers. Use [Configuration Calculator](#) to determine how many luminaires you can install in a single run, and the maximum distances between Data Enabler Pro devices, luminaires, and controllers.

### QuickPlay Pro

Accent MX Powercore gen2 luminaires operate in 8-bit mode by default. To address luminaires, including switching between 8-bit mode and 16-bit mode download [QuickPlay Pro](#).

### Additional considerations

Determine whether to address luminaires and configure your lighting system offline or interactively. With offline configuration, you stage and configure your system off-site, prior to installation. Offline configuration can be convenient when luminaires are to be installed in multiple locations or locations with difficult access. Interactive configuration is typically performed by an experienced technician, after luminaires have been installed. The interactive method can save time, since you only connect and test your luminaires once.



# Specifications and information

		Viewing angle	Lumens per foot	Efficacy lm/w	CRI	Power
<b>iColor Accent Compact, RGBW</b>		105°, 210°	248 to 287	24.8 to 28.7	—	10 W
<b>iColor Accent Compact</b>		105°, 210°	88 to 115	8.8 to 11.5	—	10 W
<b>iW Accent Compact</b>	2700 K/4000 K/6500 K	105°, 210°	341 to 400	35.6 to 41.9	—	10 W
<b>eW Accent Compact</b>	2700 K	105°, 210°	302 to 336	31.5 to 35.6	82 to 83	10 W
	4000 K	105°, 210°	346 to 437	36.2 to 45.8	83 to 84	10 W

## General Information

<b>Viewing Angle</b>	105° x 210° (Clear or Translucent lens)
<b>Input Voltage</b>	100 to 277 VAC, auto-ranging, 48V via PDS-400 48V EO
<b>Housing Material</b>	Extruded aluminium and polycarbonate
<b>Lens</b>	Clear or Translucent UV-protected polycarbonate
<b>Vibration Resistance</b>	Complies with ANSI C136.31, 3G
<b>Mechanical Impact</b>	IK10
<b>Approbations</b>	UL/cUL, FCC Class A, CE, CQC, RCM
<b>Environment</b>	Dry/Damp/Wet Location, IP66

### Accent Compact, RGBW

<b>Dimensions</b>	315 mm (12.4 in)	467 mm (18.4 in)	619.5 mm (24.4 in)	1228.5 mm (48.4 in)
<b>Weight</b>	0.61 kg (1.3 lb)	0.75 kg (1.65 lb)	0.96 kg (2.1 lb)	1.64 kg (3.6 lb)

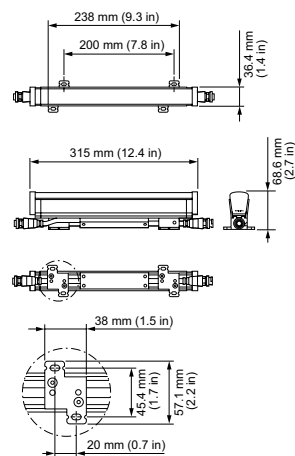
### Accent Compact

<b>Dimensions</b>	305 mm (1 ft)	—	610 mm (2 ft)	1220 mm (4 ft)
<b>Weight</b>	0.61 kg (1.3 lb)	—	0.91 kg (2 lb)	1.53 kg (3.4 lb)

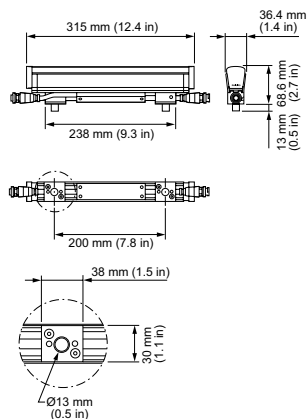
## Accent Compact, RGBW Dimensions

### 315 mm (12.4 in) Clear lens

Front mounting bracket

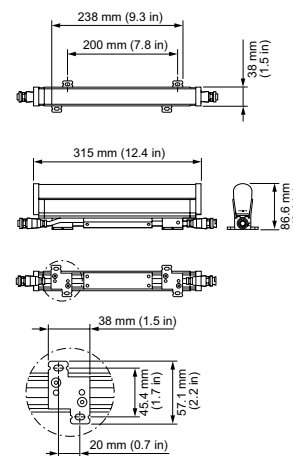


Rear mounting post

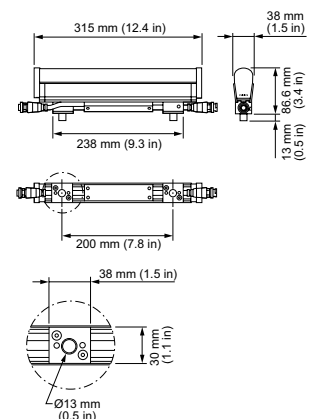


### Translucent lens

Front mounting bracket



Rear mounting post

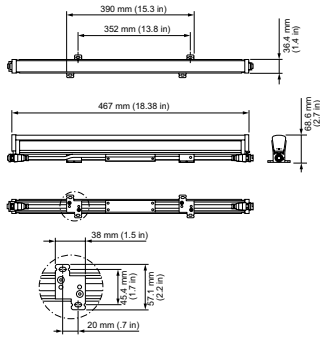




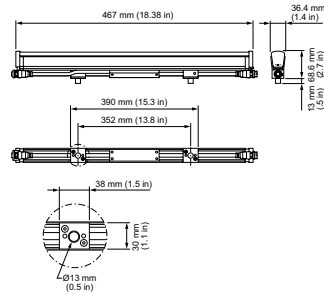
# Accent Compact, RGBW Dimensions continued

## 467 mm (18.4 in) Clear lens

Front mounting bracket

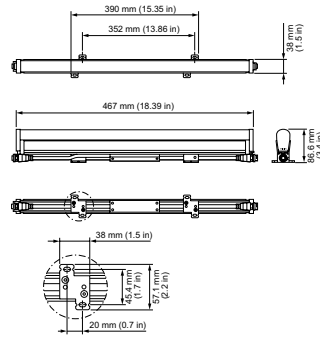


Rear mounting post

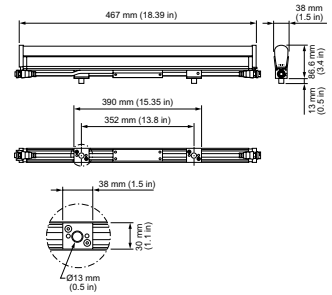


## Translucent lens

Front mounting bracket

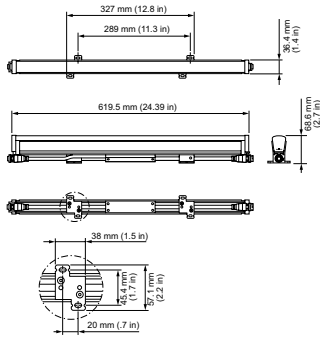


Rear mounting post

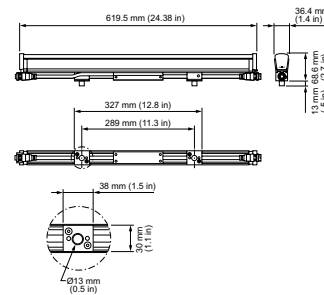


## 619.5 mm (24.4 in) Clear lens

Front mounting bracket

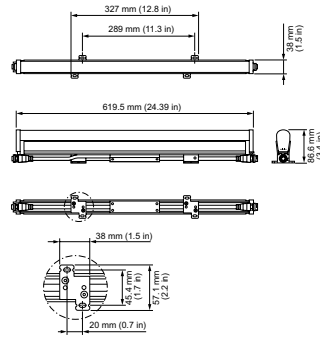


Rear mounting post

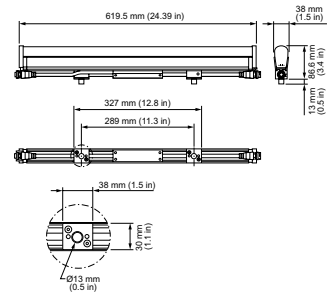


## Translucent lens

Front mounting bracket

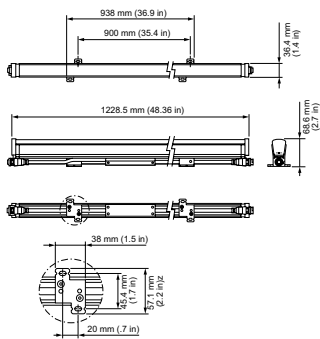


Rear mounting post

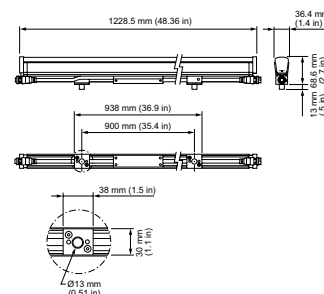


## 1228.5 mm (48.4 in) Clear lens

Front mounting bracket

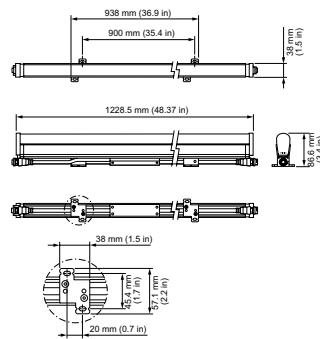


Rear mounting post

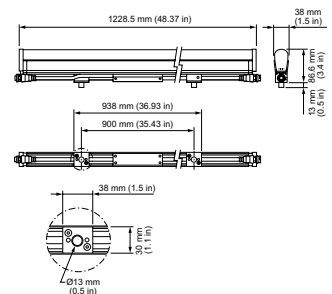


## Translucent lens

Front mounting bracket



Rear mounting post

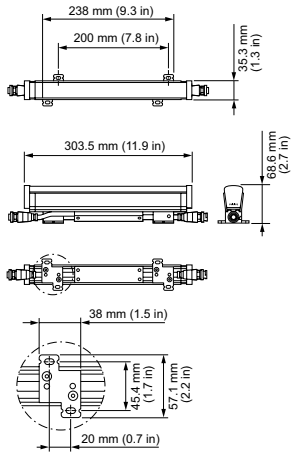


# Accent Compact Dimensions

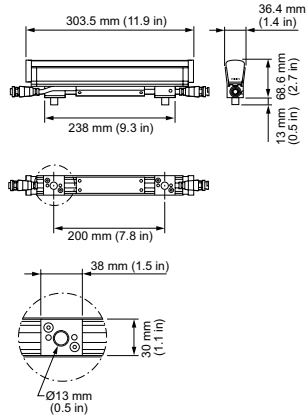
Includes iColor Accent Compact, iW Accent Compact, eW Accent Compact.

## 305 mm (1 ft) Clear lens

Front mounting bracket

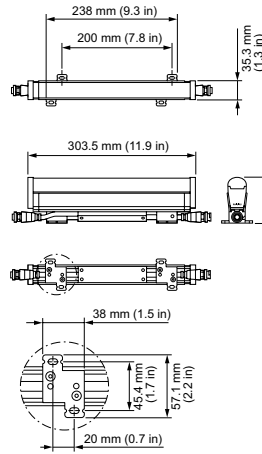


Rear mounting post

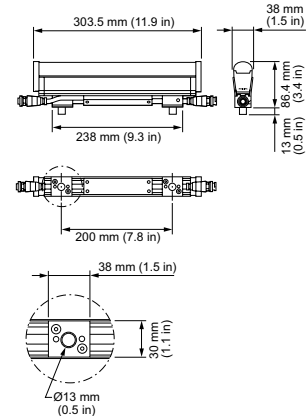


## Translucent lens

Front mounting bracket

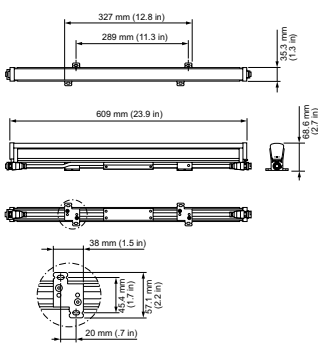


Rear mounting post

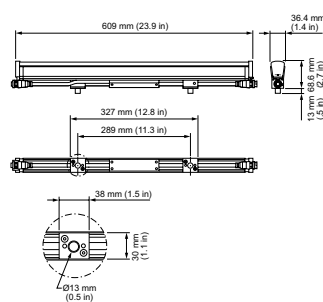


## 610 mm (2 ft) Clear lens

Front mounting bracket

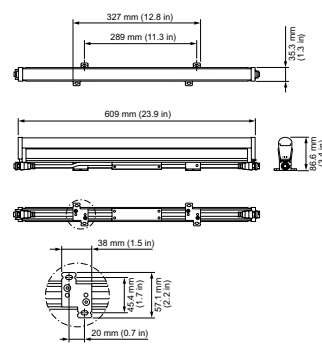


Rear mounting post

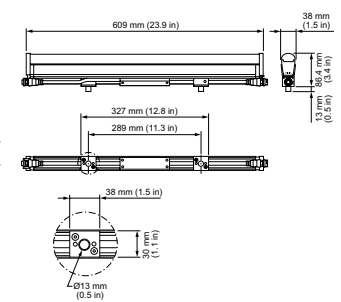


## Translucent lens

Front mounting bracket

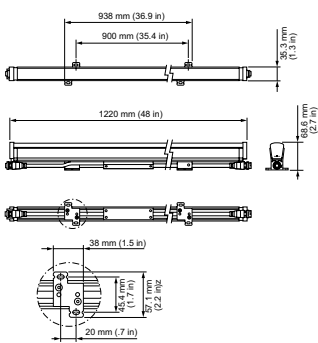


Rear mounting post

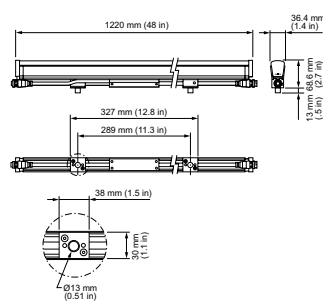


## 1220 mm (4 ft) Clear lens

Front mounting bracket

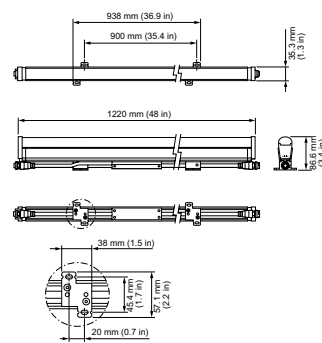


Rear mounting post

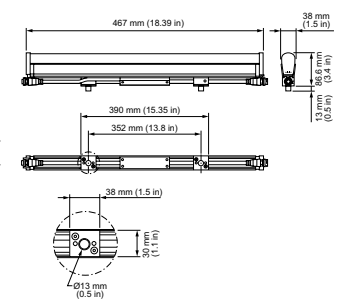


## Translucent lens

Front mounting bracket



Rear mounting post





## For further information

Complete details including Installation Instructions, Specification Sheets, .ies files, and product drawings can be found on the product page.



[iColor Accent Compact, RGBW](#)



[iColor Accent Compact](#)



[iW Accent Compact](#)



[eW Accent Compact](#)

## Accessories

Accessory options lets you customize Accent Compact.

	Item Number	Signify 12NC
Horizontal Louver, 305 mm (1 ft)	120-000200-00	912400133792
Horizontal Louver, 610 mm (2 ft)	120-000200-01	912400133793
Horizontal Louver, 1220 mm (4 ft)	120-000200-02	912400133794
Vertical Louver, 305 mm (1 ft)	120-000200-03	912400133795
Vertical Louver, 610 mm (2 ft)	120-000200-04	912400133796
Vertical Louver, 1220 mm (4 ft)	120-000200-05	912400133797
Rear Mounting Studs, 2 pieces	120-000200-06	912400133798
Leader Cable, 15 m (50 ft)	108-000200-00	912400133789
Leader Cable, 30 m (100 ft)	108-000200-01	912400133790
Jumper Cable, 305 mm (1 ft)	108-000200-03	912400134184
Jumper Cable, 1.5 m (5 ft)	108-000200-02	912400133791
<b>Power Supplies</b>		
PDS-400 48V, EO Power/Data Supply, Ethernet, UL	109-000200-00	912400133799
PDS-400 48V, EO Power/Data Supply, Ethernet, CE	109-000200-01	912400134110
CM-400 48V EO, Control Module, Ethernet	109-000210-00	912400133801
PS-600 48V, Power Supply, IP66	109-000220-00	912400133803
PS-480 48V, Power Supply, IP20, Dinrail	109-000220-01	912400133804

© 2019 Signify Holding. All rights reserved. The information provided herein is subject to change, without notice. Signify does not give any representation or warranty as to the accuracy or completeness of the information included herein and shall not be liable for any action in reliance thereon. The information presented in this document is not intended as any commercial offer and does not form part of any quotation or contract, unless otherwise agreed by Signify.

All trademarks are owned by Signify Holding or their respective owners.  
DAS-000242-00 R01 1-19

