

Round 90° Bends - PVC



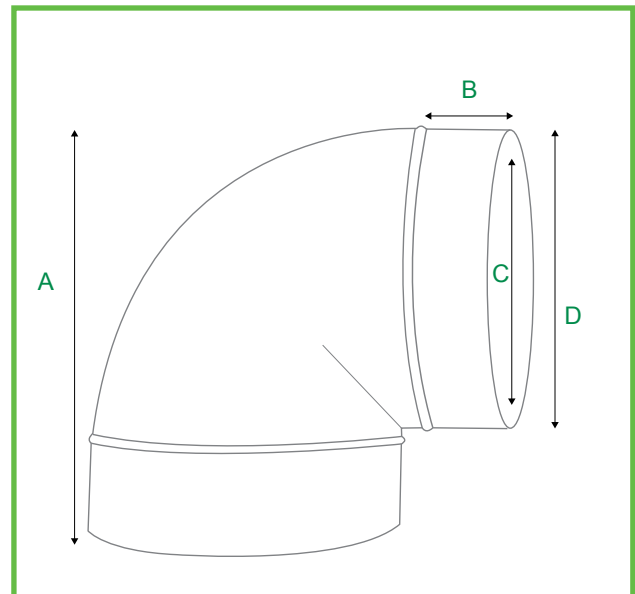
DCT3772
150mm 90° Bend

DCT3771
125mm 90° Bend

DCT3770
100mm 90° Bend

Round 90° Bends

These PVC bends offer a convenient solution to joining duct runs around corners. Available in 3 sizes, they are also a simpler way to connect directly to a grille or diffuser (Pic 1) through ceilings & soffits. See the dimensions table below for overall sizes.



Dimensions for Round PVC 90 Degree Bends

		A	B	C	D
Product Code	Description	Overall H X W	Spigot Length	Inside Diameter	Outside Diameter
DCT3772	150mm 90° Bend	190 x 190	37	142	148
DCT3771	125mm 90° Bend	163 x 163	30	120	123
DCT3770	100mm 90° Bend	137 x 137	30	95	98