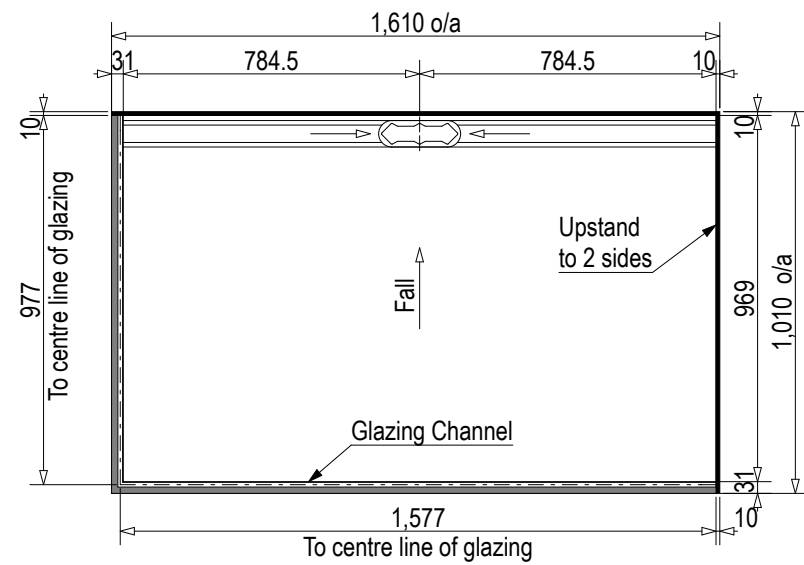


Note: Drain position central unless dimensioned otherwise

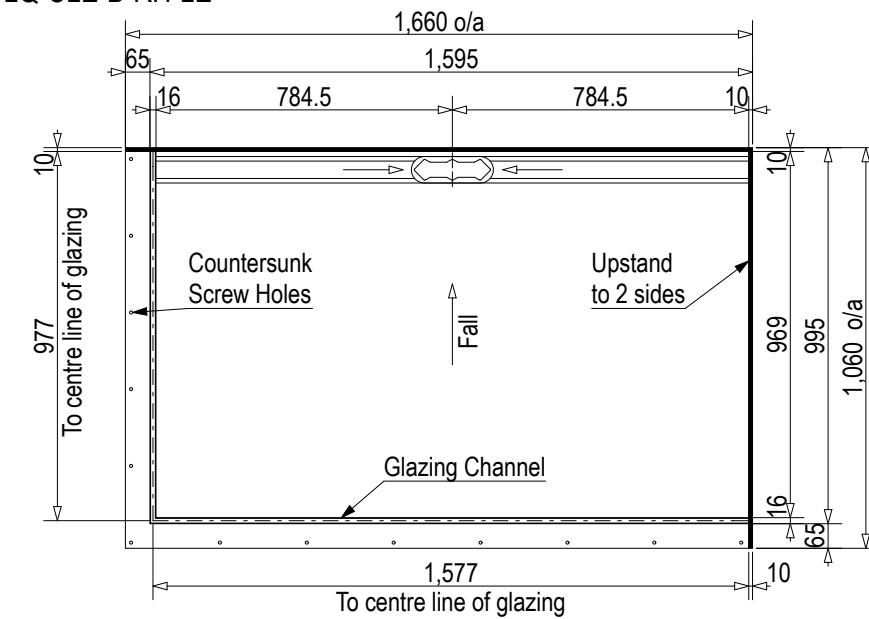
### Step Entry

SKU: LQ-CLE-B-RH-ST



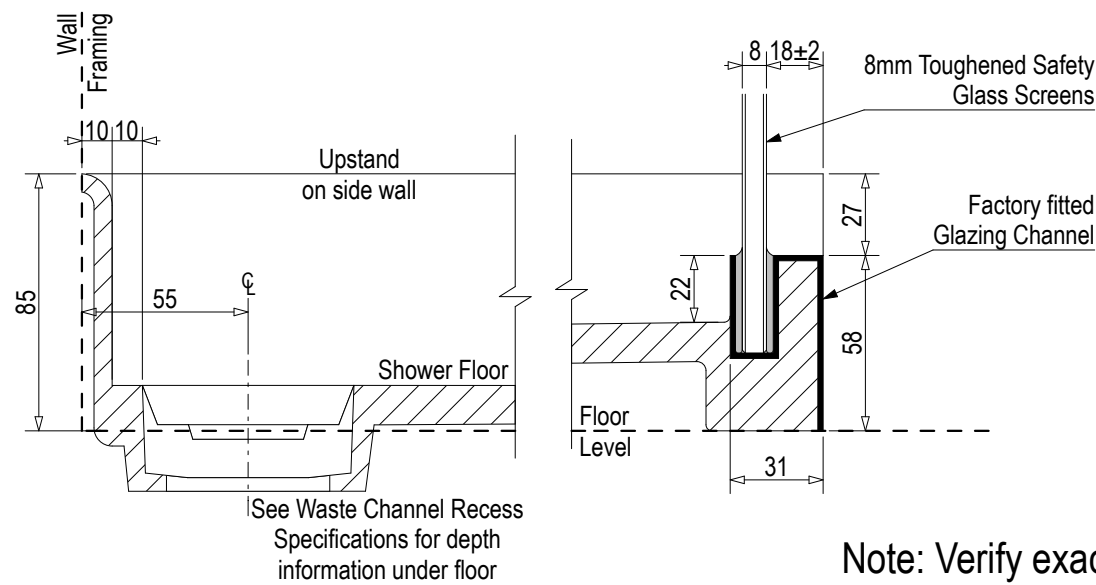
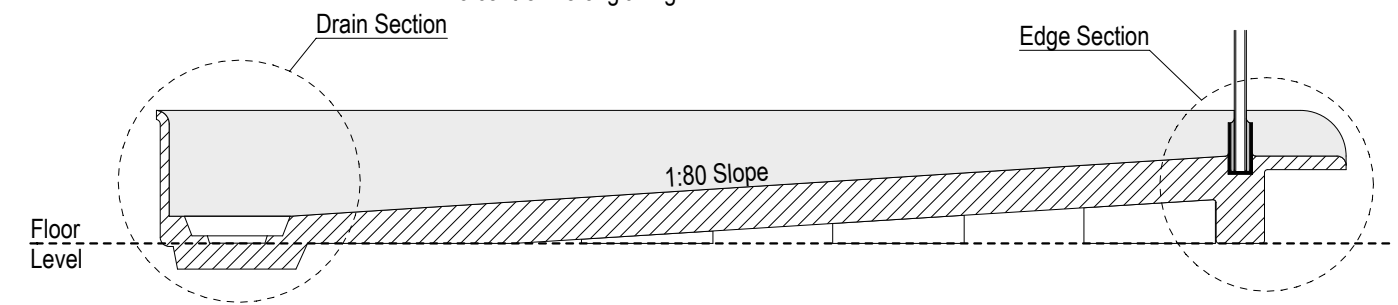
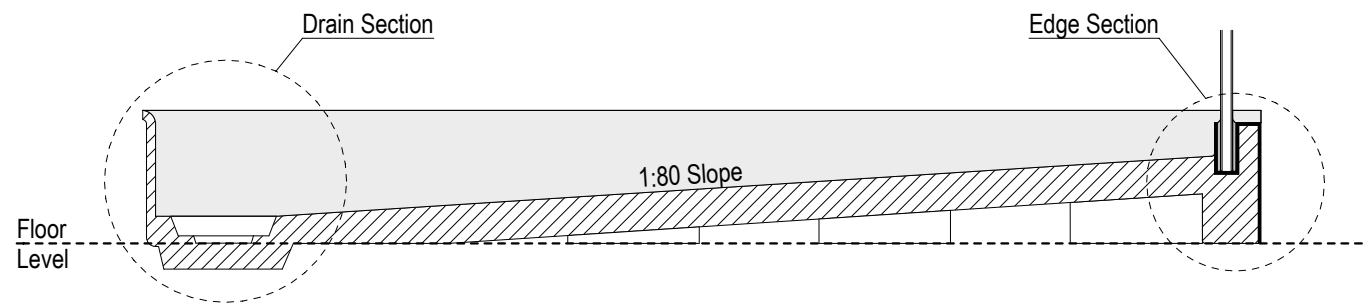
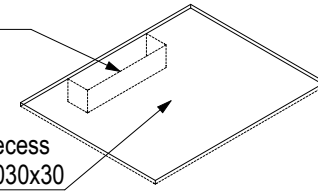
### Level Entry

SKU: LQ-CLE-B-RH-LE



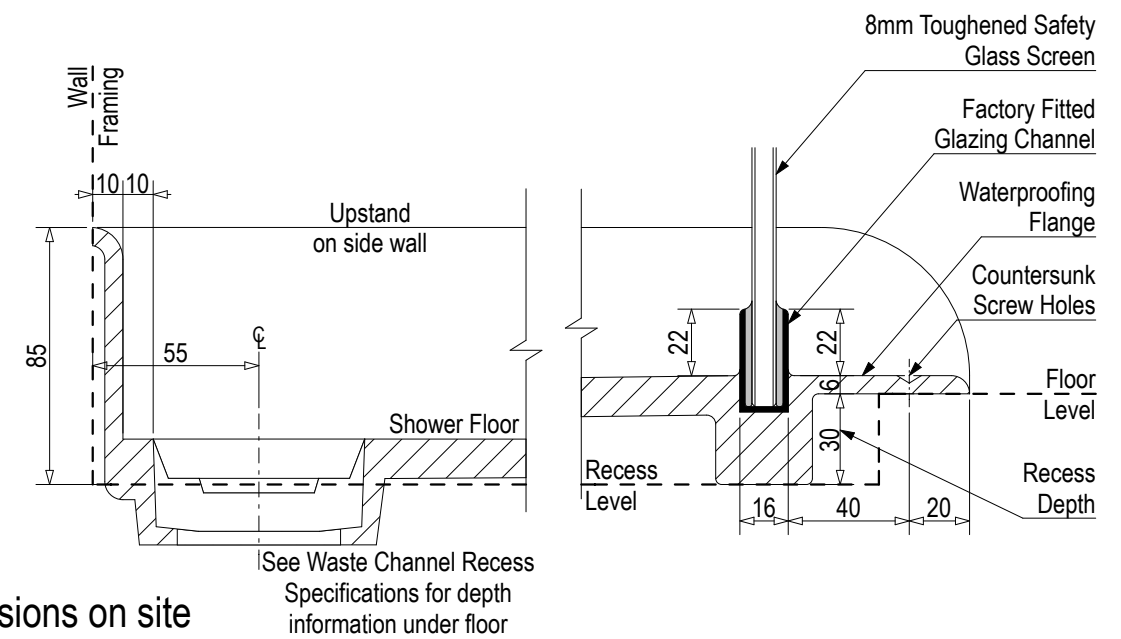
See Waste Channel Recess Specifications for size

Floor Recess 1630x1030x30



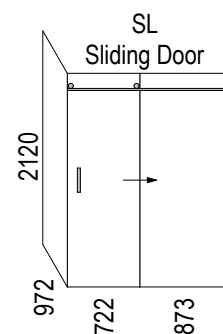
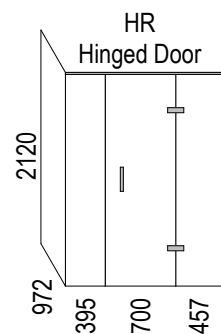
See Waste Channel Recess Specifications for depth information under floor

Note: Verify exact shower base dimensions on site



See Waste Channel Recess Specifications for depth information under floor

### Screen Options:



For more product information go to:

[www.atlantis.co.nz/shop/linea-quattro/cleveland-1600x1000/](http://www.atlantis.co.nz/shop/linea-quattro/cleveland-1600x1000/)

For installation instructions go to:

[www.atlantis.co.nz/trade/installation/](http://www.atlantis.co.nz/trade/installation/)

## AQUAPLANE WASTE FITTING

- EasyClean Waste with in-built trap
- 50L/min ultra flow rate
- Removable fin for easy cleaning
- 40/50mm outlet with swivel fitting
- Components bolt together for guaranteed watertightness

