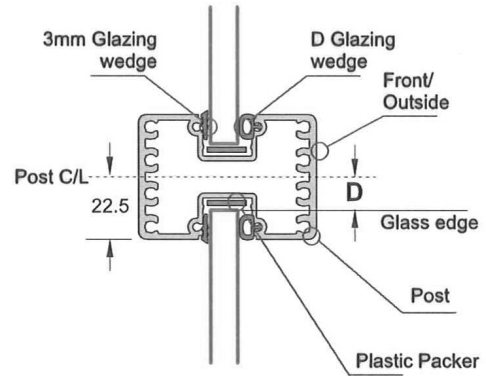
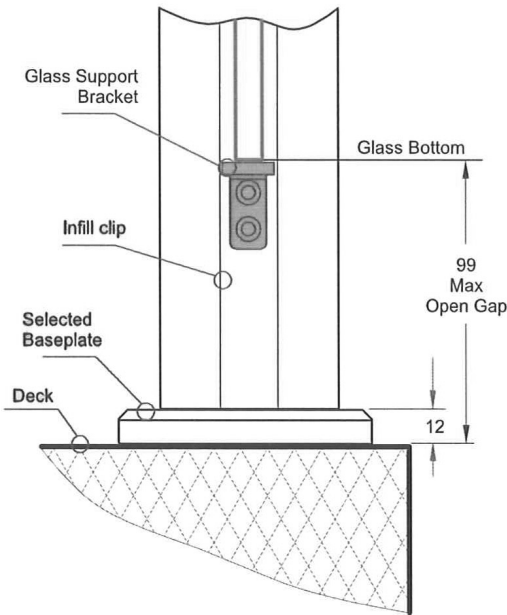


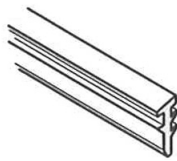
SEMI FRAMELESS ALUMINIUM POSTS

Post Details & Components

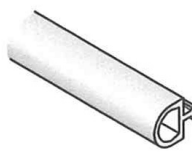


Note: Dimension D.
 If using Flush Top Cap (ie NO upstand) D = 10mm
 If using Notched Top Cap (ie Upstand) D = 11.5mm
 The use of a plastic packer between Glass and edges of the Notched Top Cap is strongly recommended

3mm Glazing Wedge



Glazing D Seal



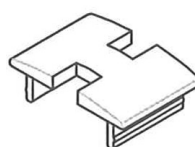
Glass Support Bracket



Top Cap for Full Height Posts



Top Cap for Low Height Intermediate Posts



Top Cap for Low Height End Posts

