

POTTER ALUMINIUM SYSTEMS
X SERIES - TELECOM FULL HEIGHT GLAZING SYSTEM
CROSS SECTION

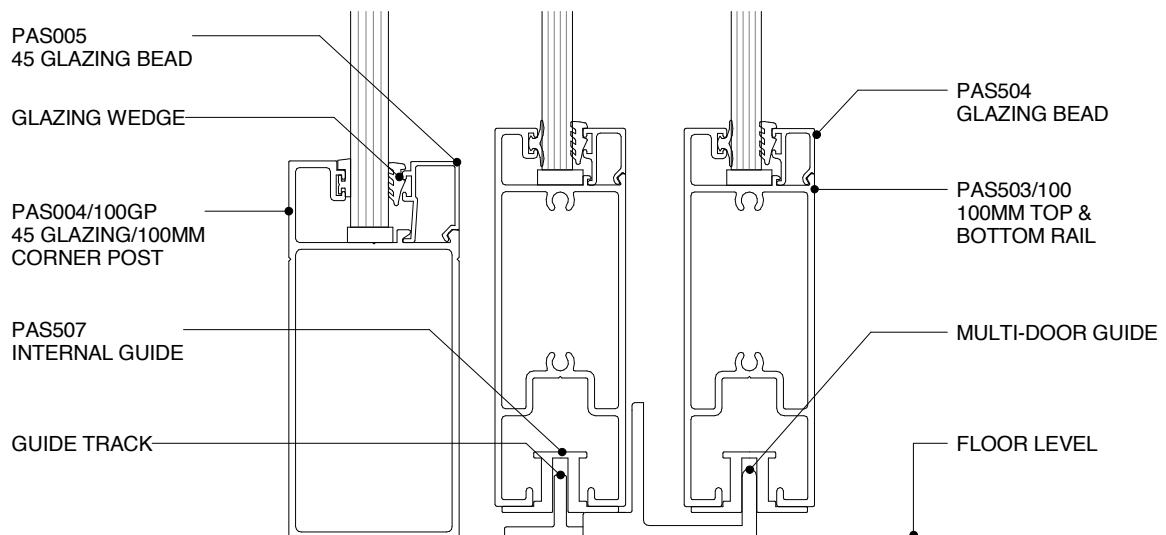
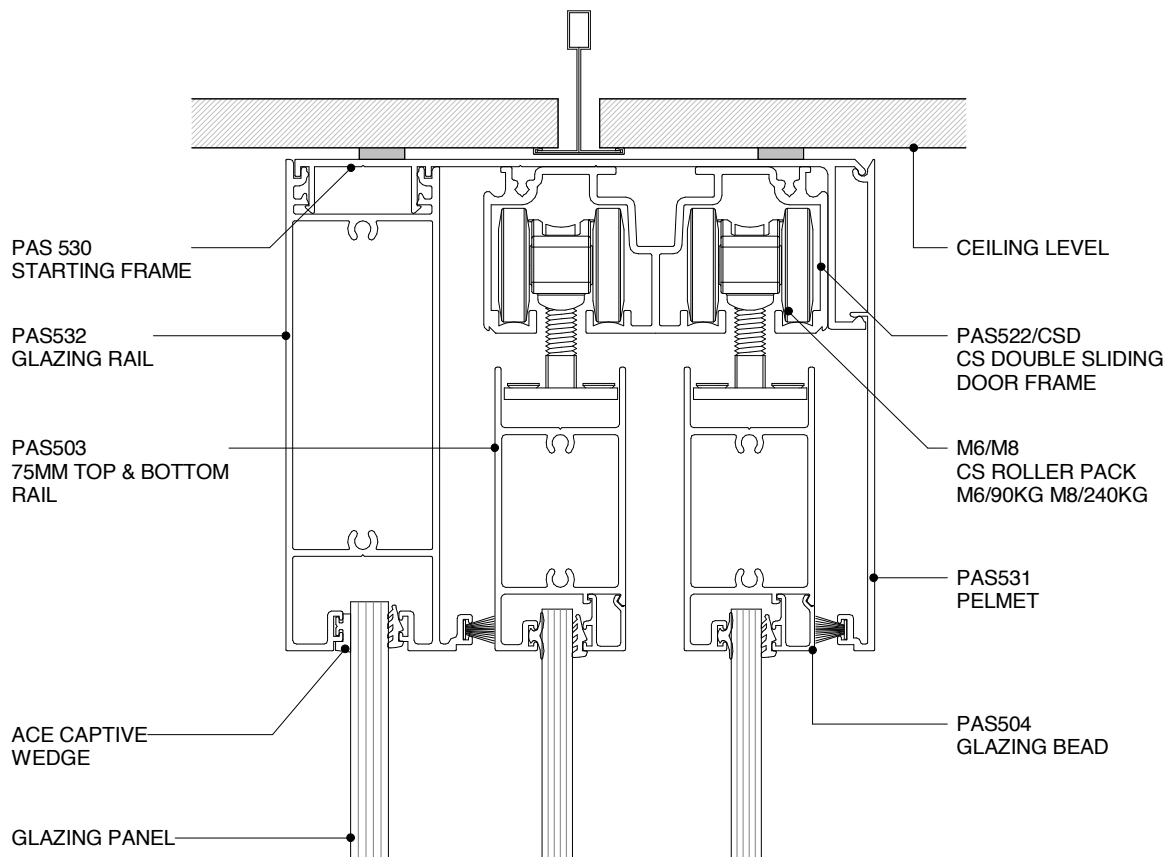
X.1.1
 SHEET

1 : 2 @ A4
 SCALE

03/08/11
 ISSUED DATE

0800 POTTER (0800 768 837) WWW.POTTERS.CO.NZ
 SUBJECT TO CHANGE WITHOUT NOTICE





POTTER ALUMINIUM SYSTEMS
X SERIES - 130 TWO SLIDER
CROSS SECTION

X.1.2

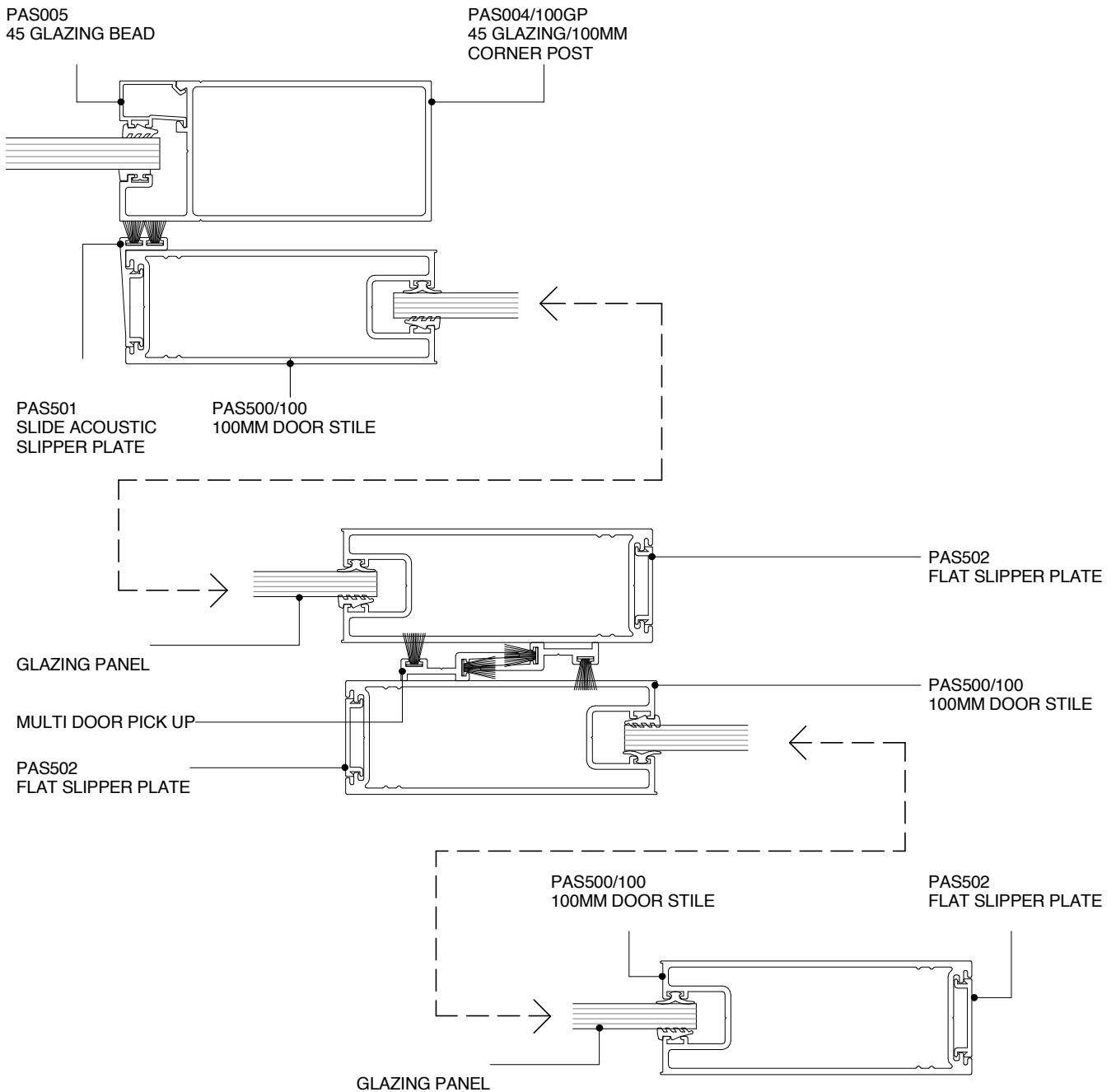
SHEET

1 : 2 @ A4
SCALE

05/13/11
ISSUED DATE

0800 POTTER (0800 768 837) WWW.POTTERS.CO.NZ
SUBJECT TO CHANGE WITHOUT NOTICE





POTTER ALUMINIUM SYSTEMS
X SERIES - 130 TWO SLIDER
PLAN VIEW

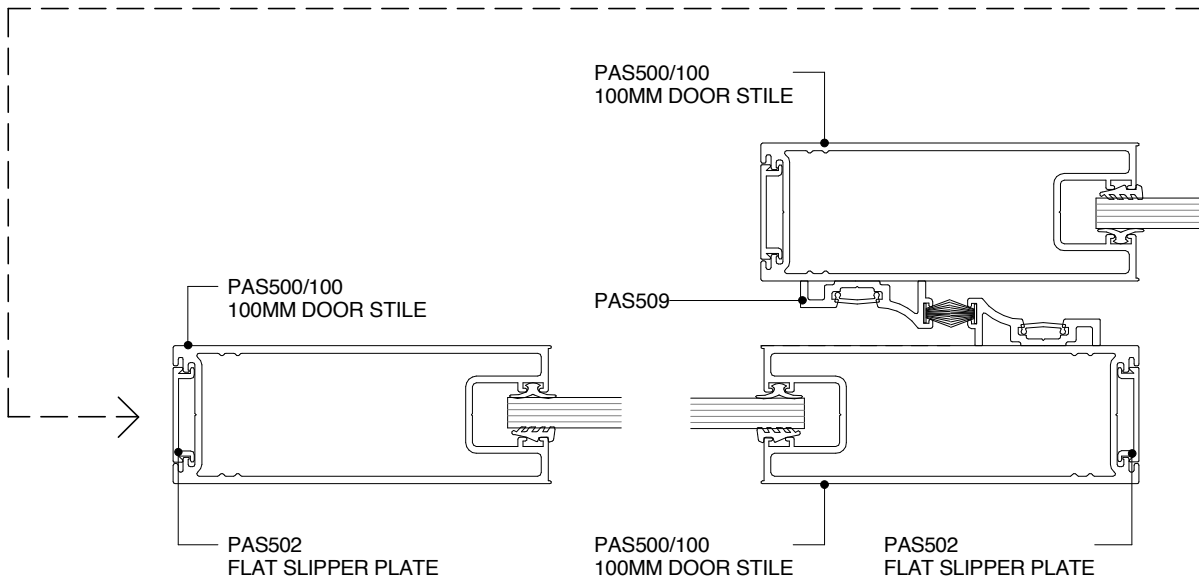
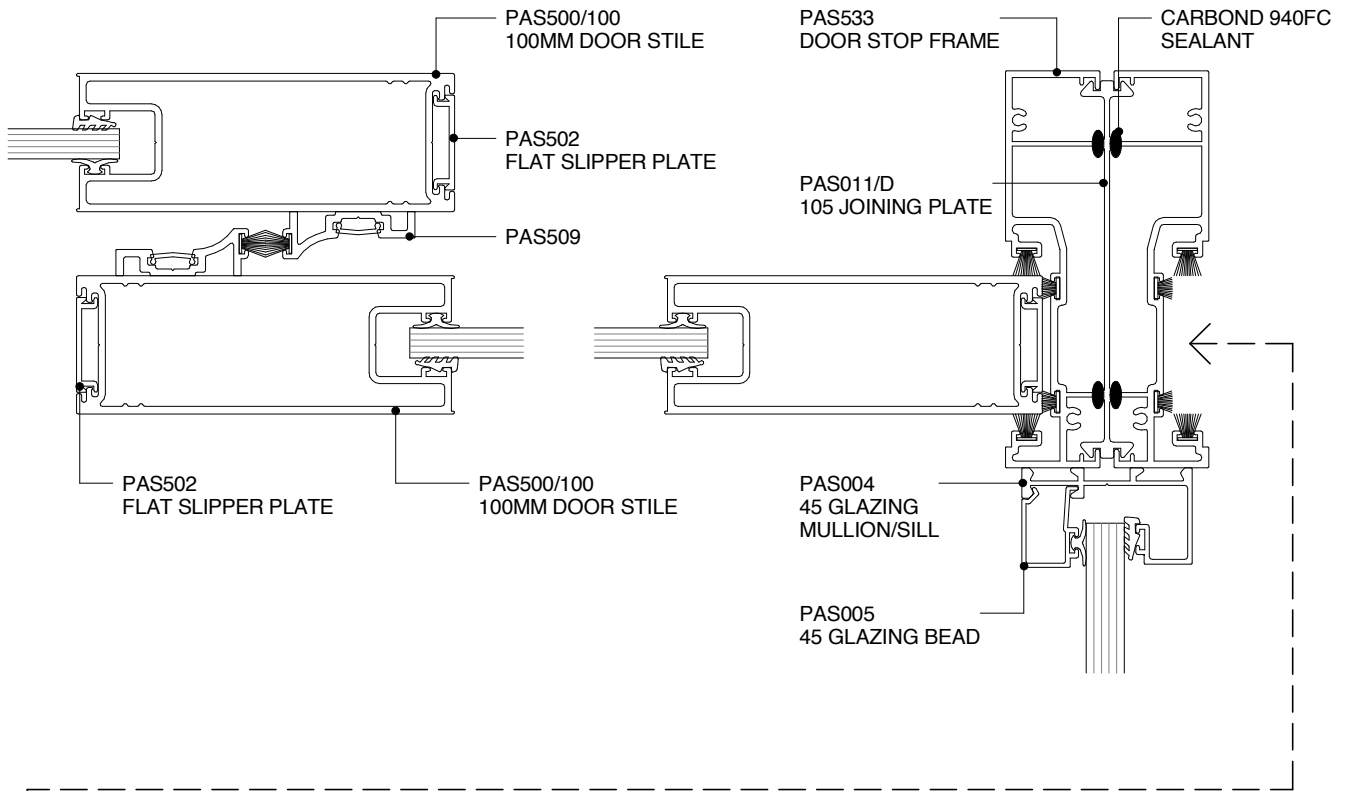
X.1.3
 SHEET

1 : 2 @ A4
 SCALE

07/29/11
 ISSUED DATE

0800 POTTER (0800 768 837) WWW.POTTERS.CO.NZ
 SUBJECT TO CHANGE WITHOUT NOTICE





POTTER ALUMINIUM SYSTEMS
X SERIES - TWO SLIDER WITH BOTTOM ROLLER
PLAN VIEW

X.1.4

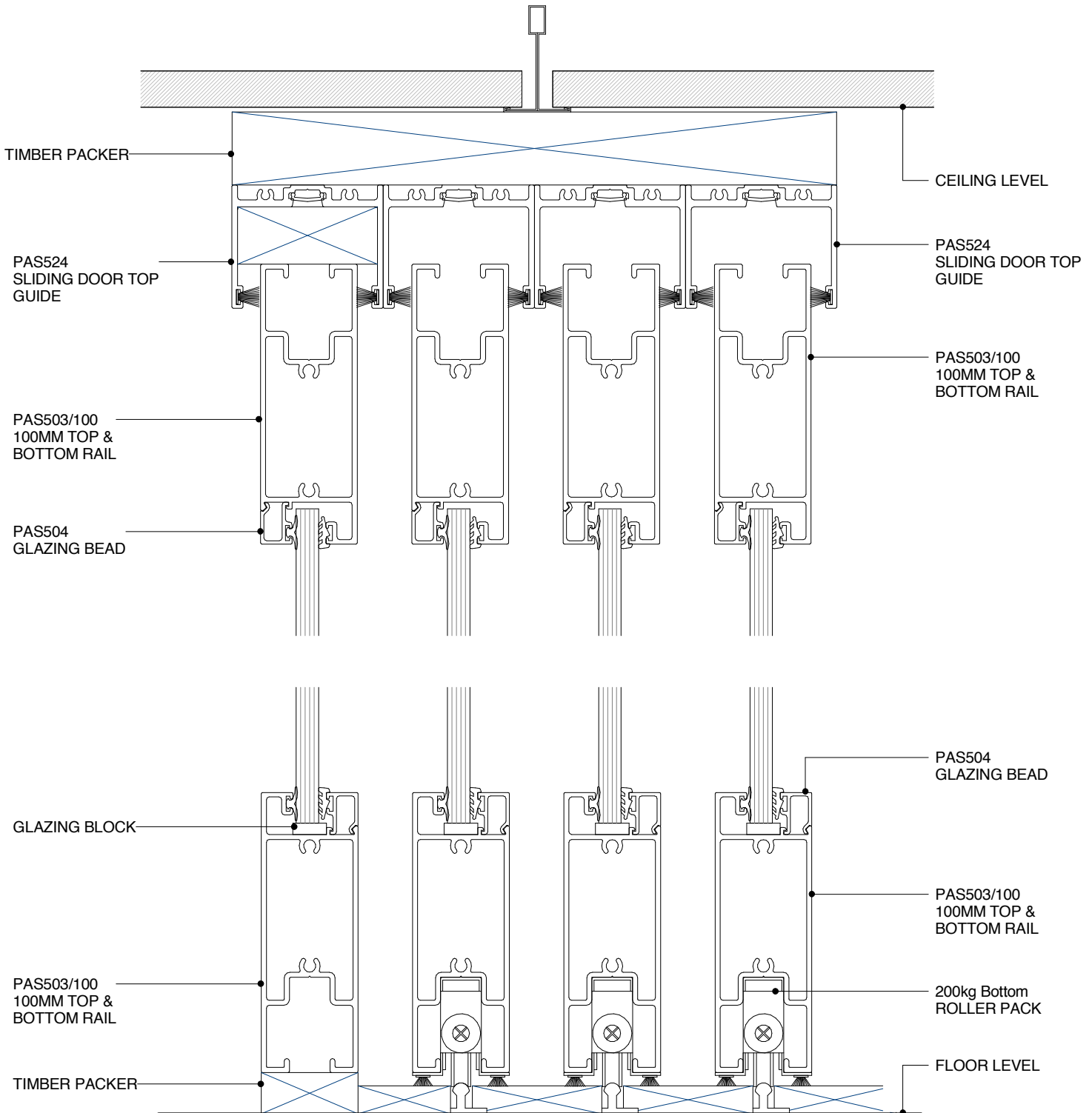
SHEET

1 : 2 @ A4
SCALE

06/13/11
ISSUED DATE

0800 POTTER (0800 768 837) WWW.POTTERS.CO.NZ
SUBJECT TO CHANGE WITHOUT NOTICE





POTTER ALUMINIUM SYSTEMS
X SERIES - 130 THREE SLIDER WITH BOTTOM ROLLER
CROSS SECTION

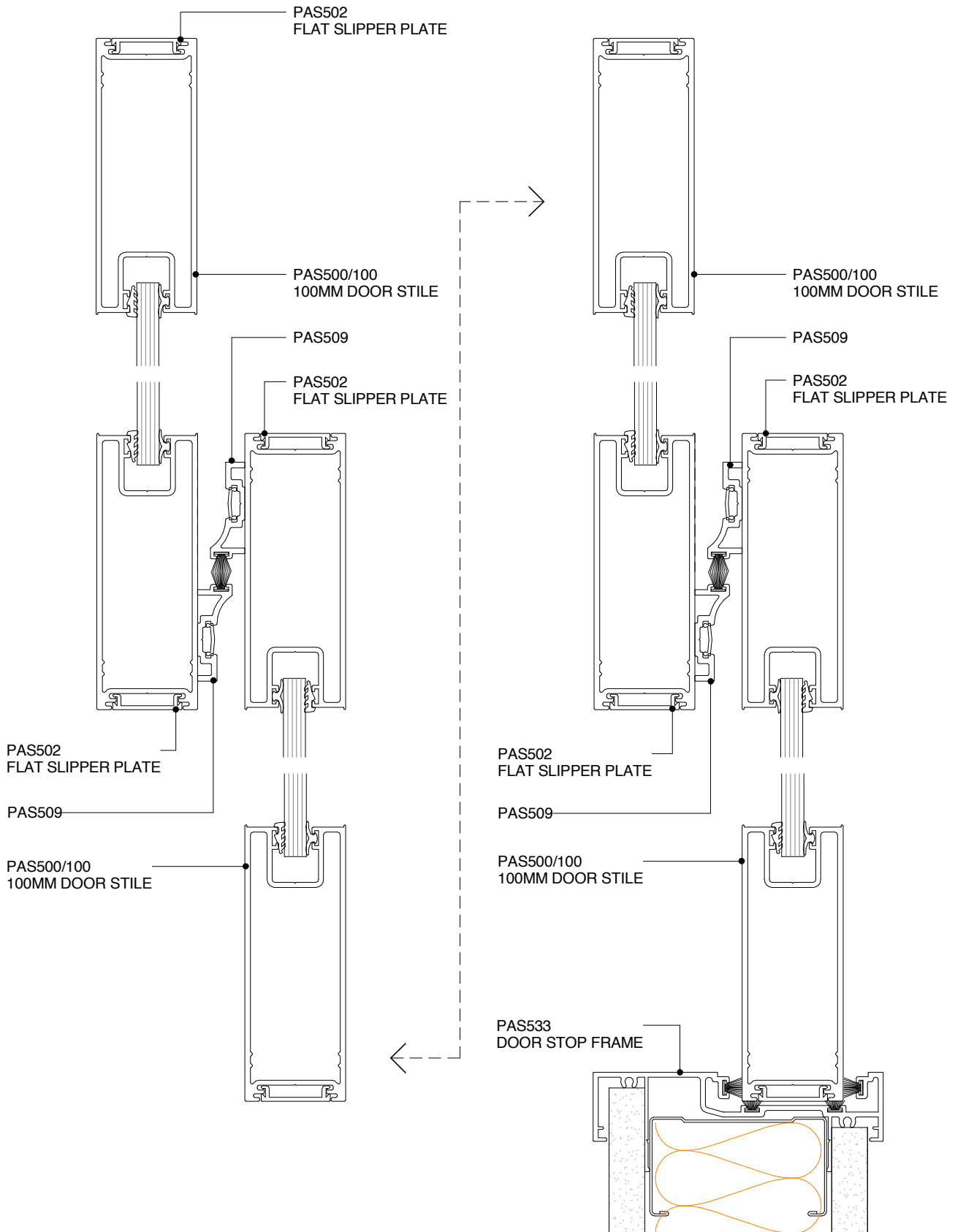
X.1.5
 SHEET

1 : 2 @ A4
 SCALE

06/13/11
 ISSUED DATE

0800 POTTER (0800 768 837) WWW.POTTERS.CO.NZ
 SUBJECT TO CHANGE WITHOUT NOTICE





POTTER ALUMINIUM SYSTEMS
X SERIES - 130 THREE SLIDER WITH TIMBERLINE ROLLER
PLAN VIEW

X.1.6

SHEET

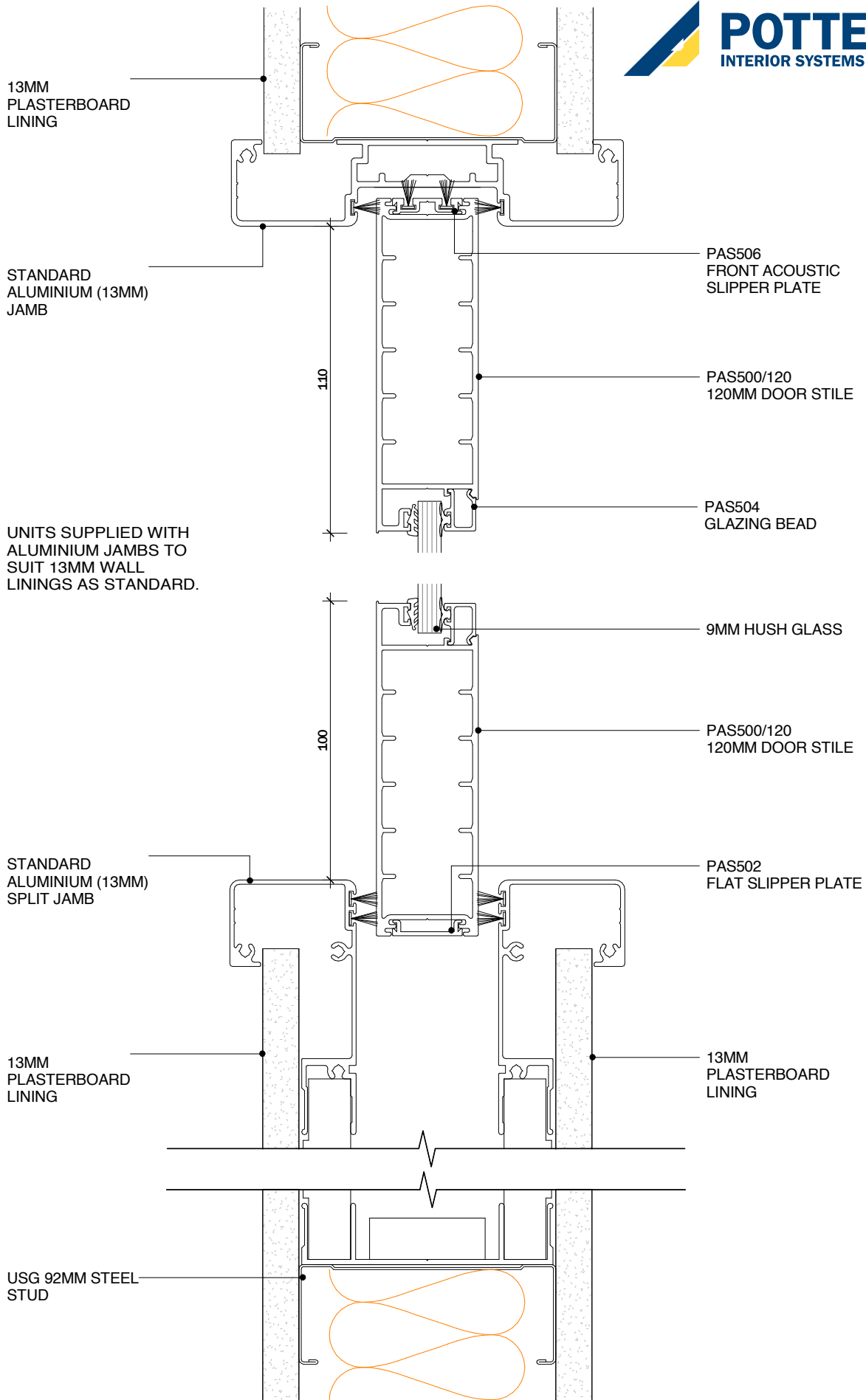
1 : 2 @ A4
 SCALE

06/16/11
 ISSUED DATE

0800 POTTER (0800 768 837) WWW.POTTERS.CO.NZ
 SUBJECT TO CHANGE WITHOUT NOTICE

CSR

X SERIES



POTTER ALUMINIUM SYSTEMS
X SERIES - 100MM CAVITY SLIDER
PLAN VIEW

X.1.7
 SHEET

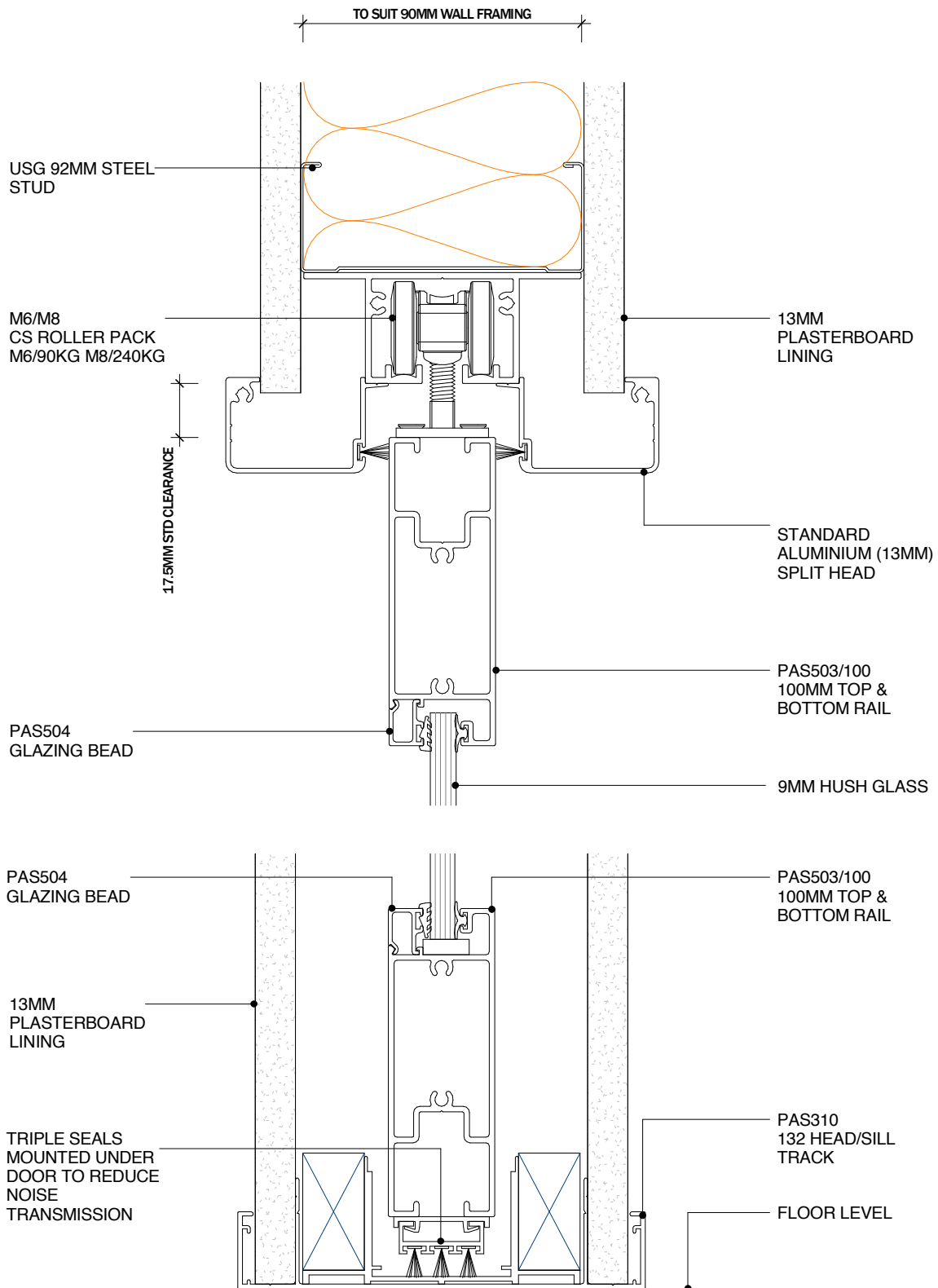
1 : 2 @ A4
 SCALE

07/28/11
 ISSUED DATE

0800 POTTER (0800 768 837) WWW.POTTERS.CO.NZ
 SUBJECT TO CHANGE WITHOUT NOTICE

CSR

X SERIES



POTTER ALUMINIUM SYSTEMS
X SERIES - 100MM CAVITY SLIDER
CROSS SECTION

X.1.8
 SHEET

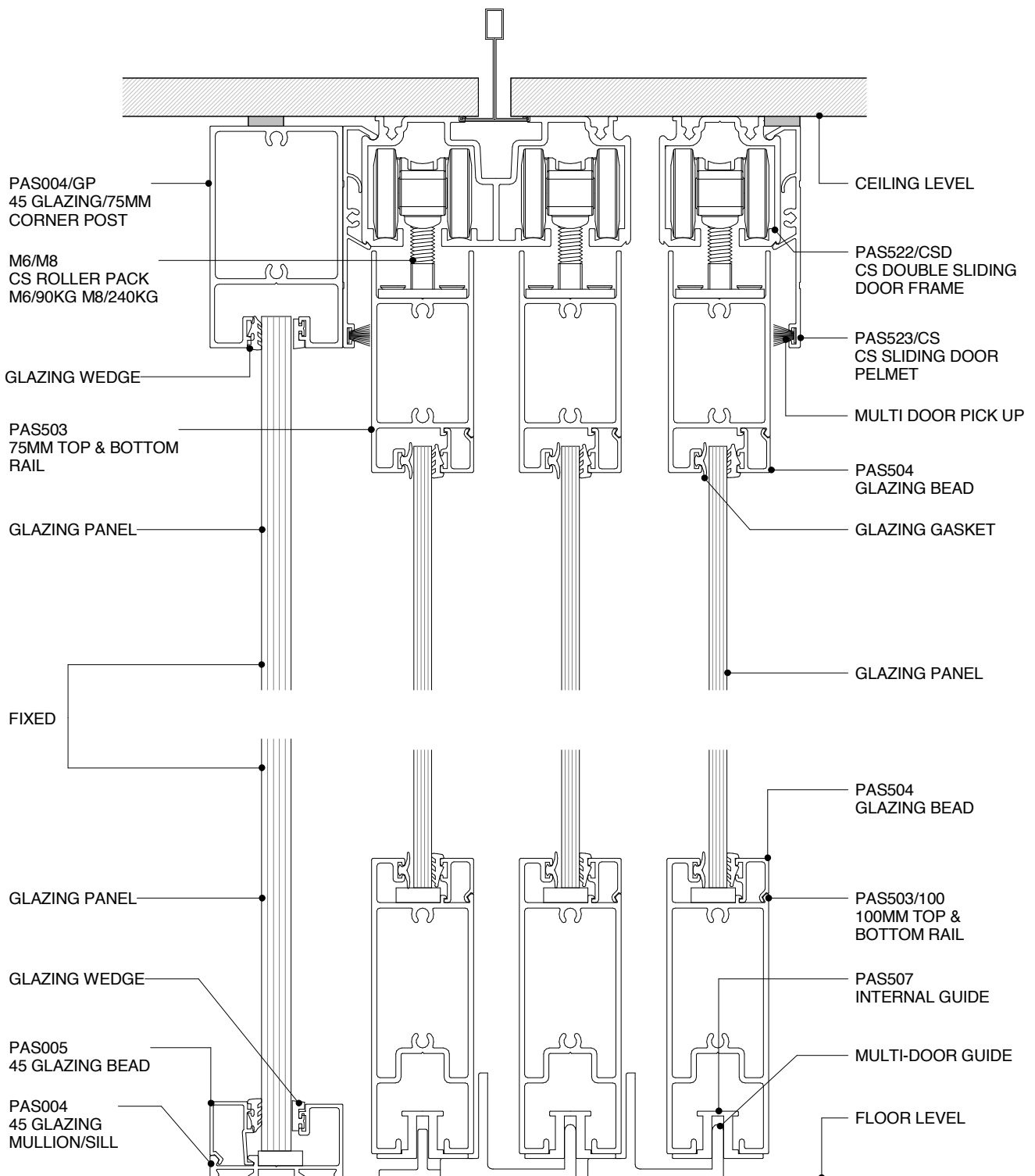
1 : 2 @ A4
 SCALE

07/28/11
 ISSUED DATE

0800 POTTER (0800 768 837) WWW.POTTERS.CO.NZ
 SUBJECT TO CHANGE WITHOUT NOTICE

CSR

X SERIES



POTTER ALUMINIUM SYSTEMS
X SERIES - 75 SLIDER - 75MM 3 DOOR & GLAZING
CROSS SECTION

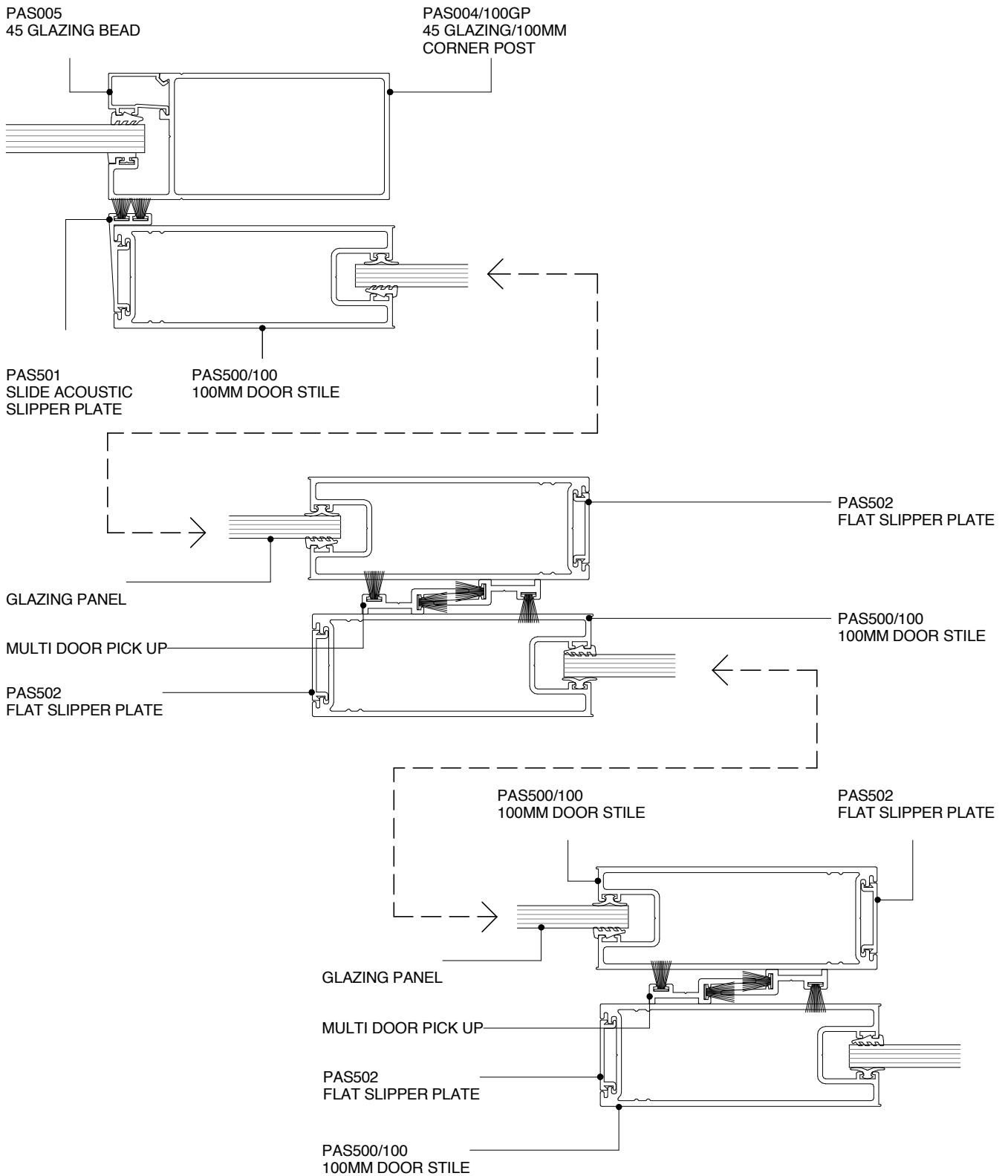
X.1.9
 SHEET

1 : 2 @ A4
 SCALE

07/29/11
 ISSUED DATE

0800 POTTER (0800 768 837) WWW.POTTERS.CO.NZ
 SUBJECT TO CHANGE WITHOUT NOTICE





POTTER ALUMINIUM SYSTEMS
X SERIES - 130 THREE SLIDER
PLAN VIEW

X.1.10

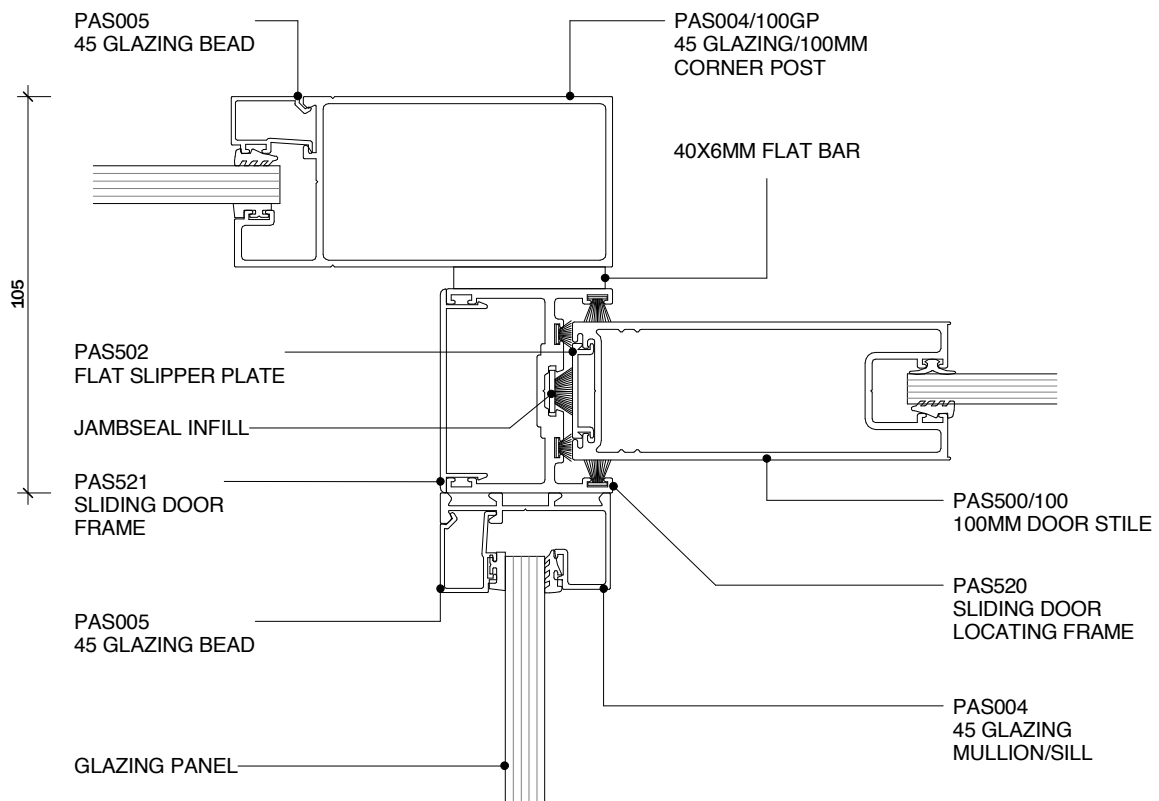
SHEET

1 : 2 @ A4
SCALE

05/23/11
ISSUED DATE

0800 POTTER (0800 768 837) WWW.POTTERS.CO.NZ
SUBJECT TO CHANGE WITHOUT NOTICE





POTTER ALUMINIUM SYSTEMS
X SERIES - SLIDER - 100MM DOOR WITH PAS 520 STOP
PLAN VIEW

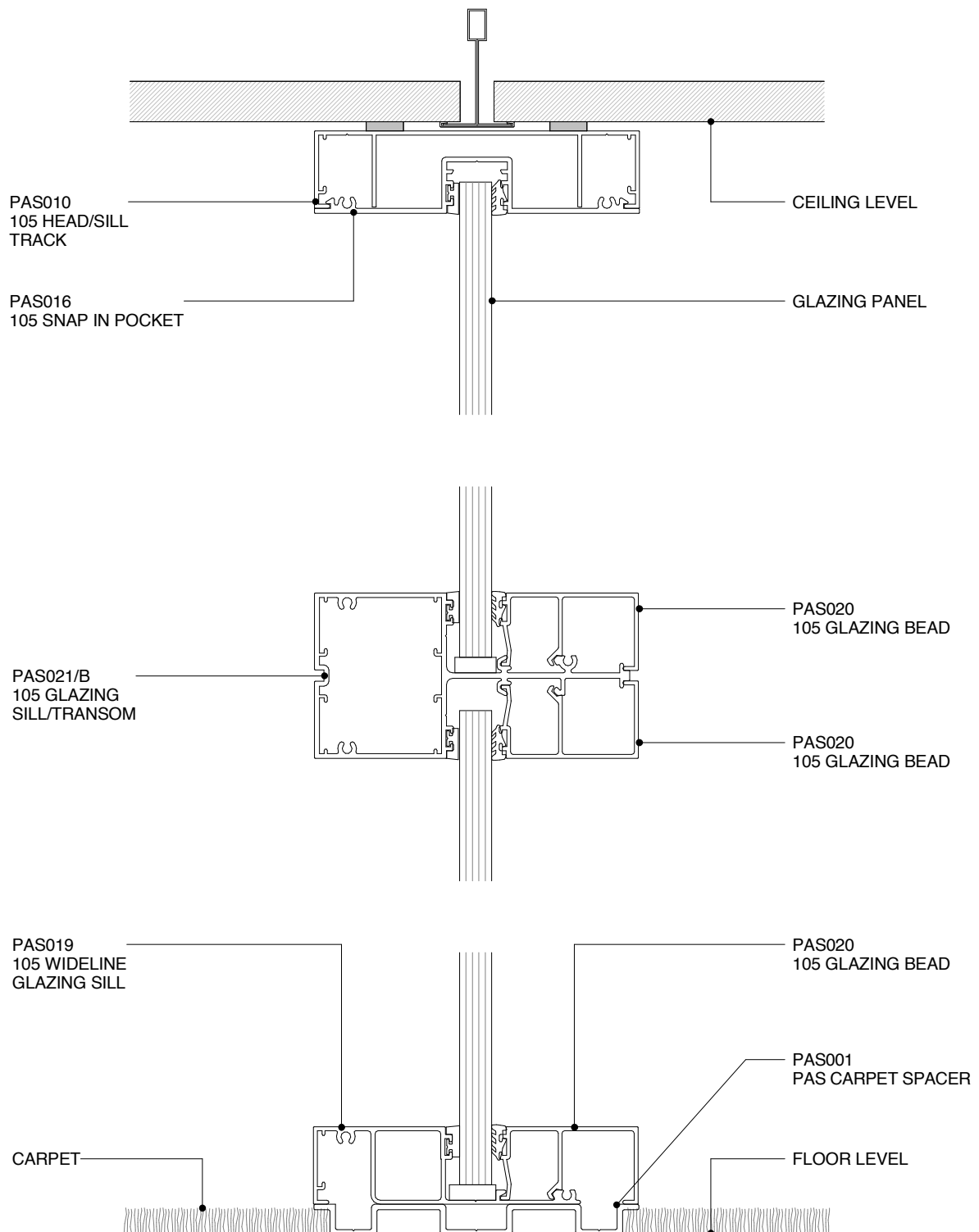
X.1.11
 SHEET

1 : 2 @ A4
 SCALE

07/29/11
 ISSUED DATE

0800 POTTER (0800 768 837) WWW.POTTERS.CO.NZ
 SUBJECT TO CHANGE WITHOUT NOTICE





POTTER ALUMINIUM SYSTEMS
X SERIES - 105 - GLAZED WALL TRANSOM WITH CARPET SPACER
CROSS SECTION

X.1.12

SHEET

1 : 2 @ A4
SCALE

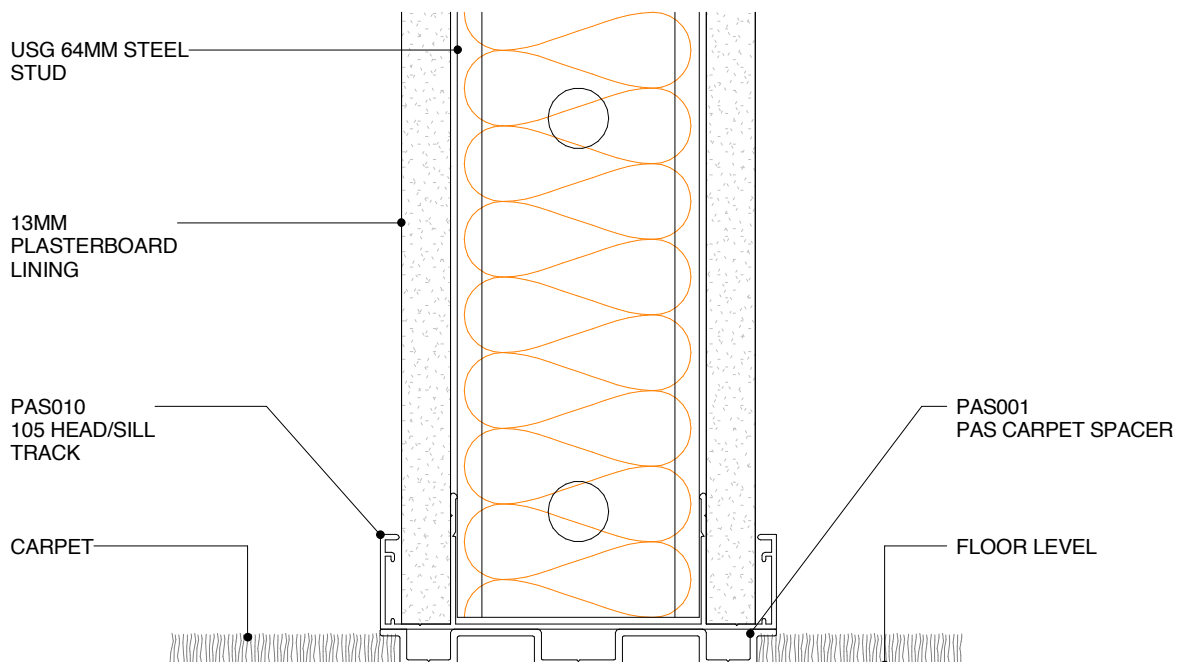
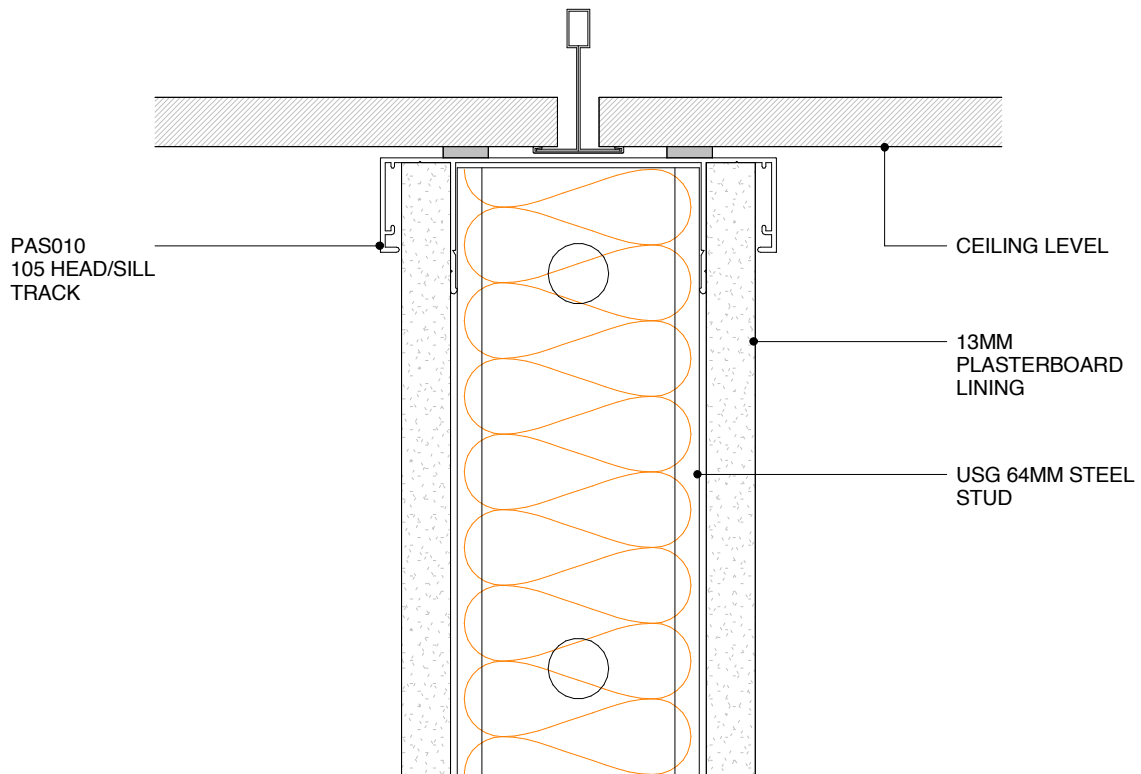
02/29/12
ISSUED DATE

0800 POTTER (0800 768 837) WWW.POTTERS.CO.NZ
SUBJECT TO CHANGE WITHOUT NOTICE



CSR

X SERIES



POTTER ALUMINIUM SYSTEMS
X SERIES - 105 64MM - STEEL STUD WALL CARPET SPACER
CROSS SECTION

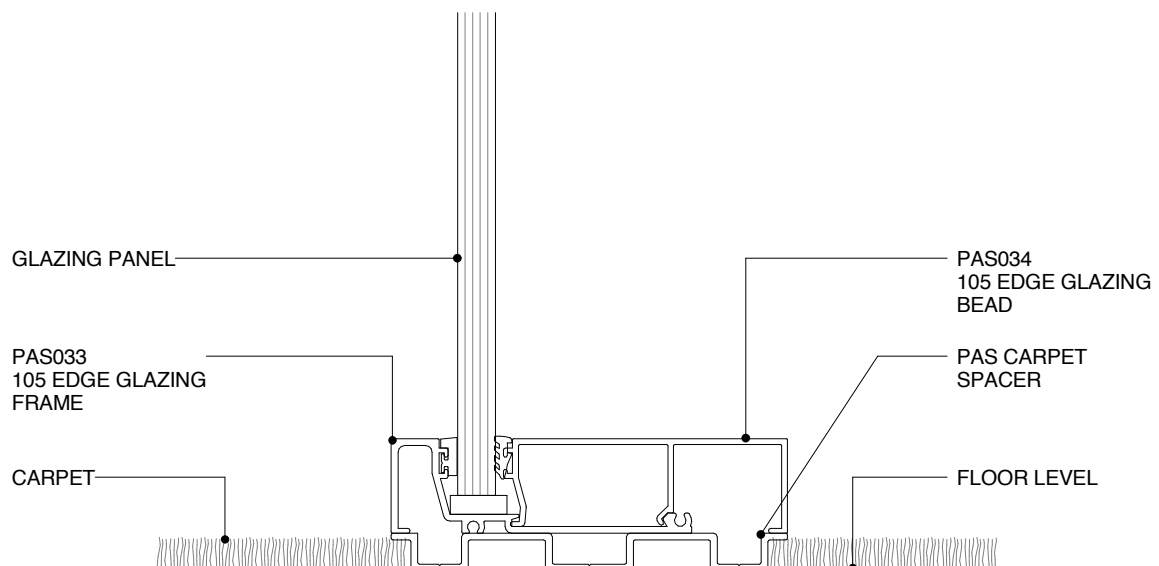
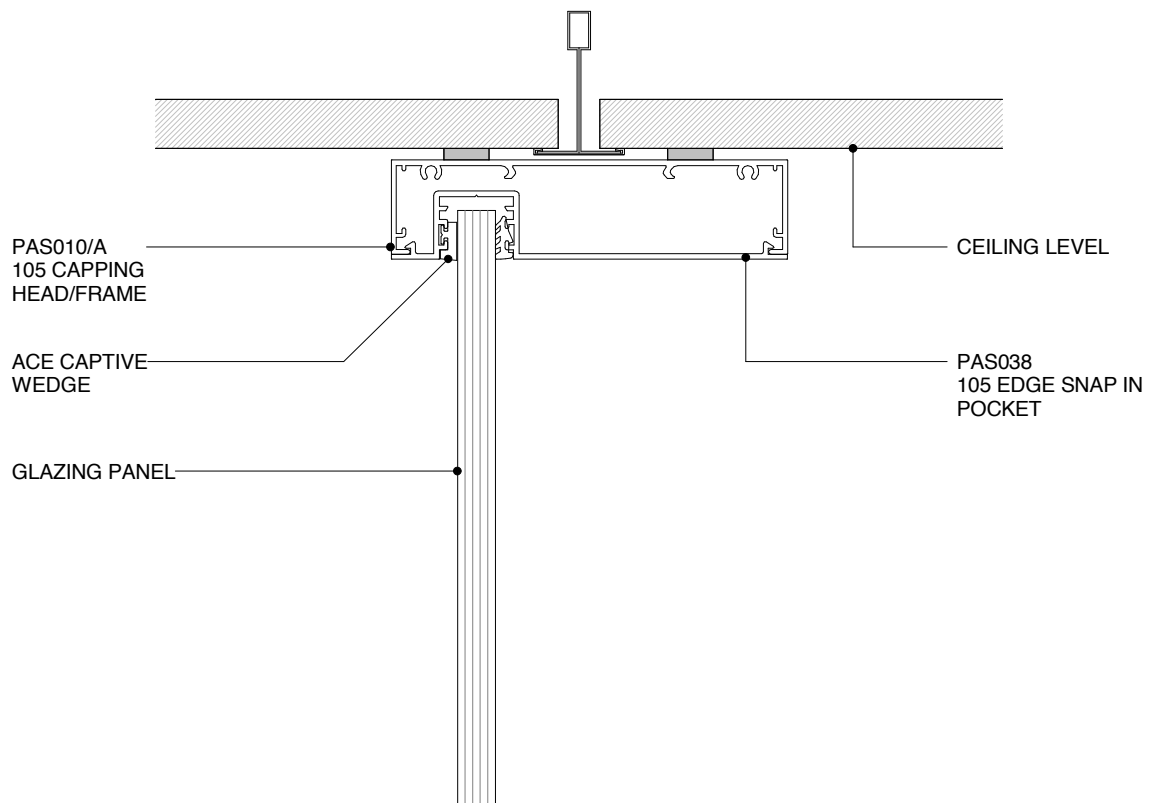
X.1.13
SHEET

1 : 2 @ A4
SCALE

02/29/12
ISSUED DATE

0800 POTTER (0800 768 837) WWW.POTTERS.CO.NZ
SUBJECT TO CHANGE WITHOUT NOTICE





POTTER ALUMINIUM SYSTEMS
X SERIES - 105 - LARGE GLAZING CARPET SPACER
CROSS SECTION

X.1.14

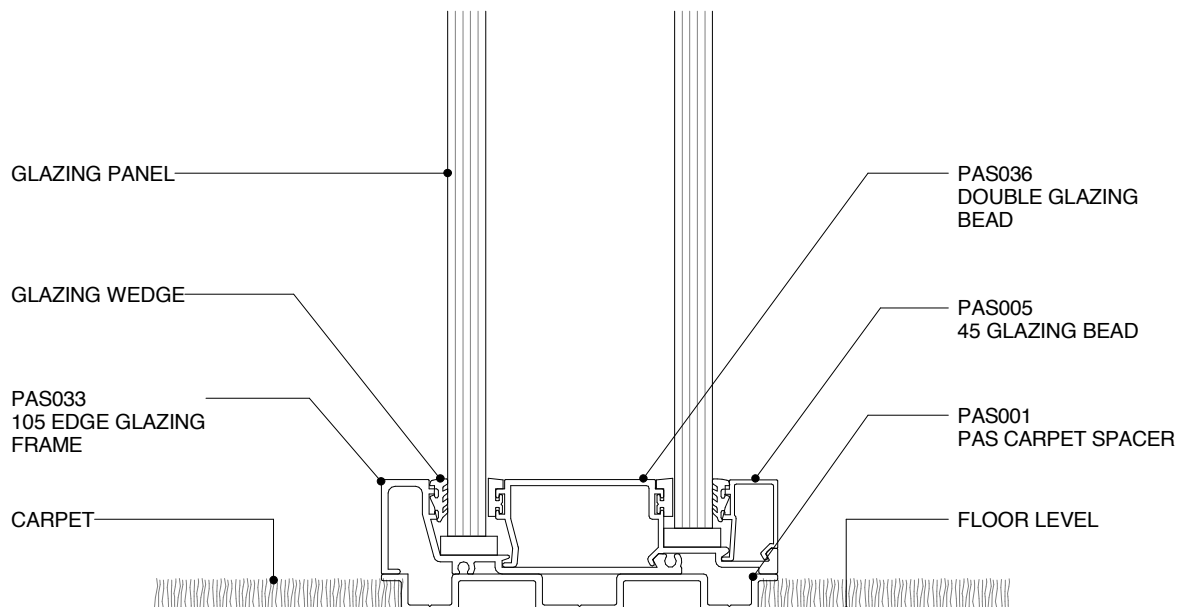
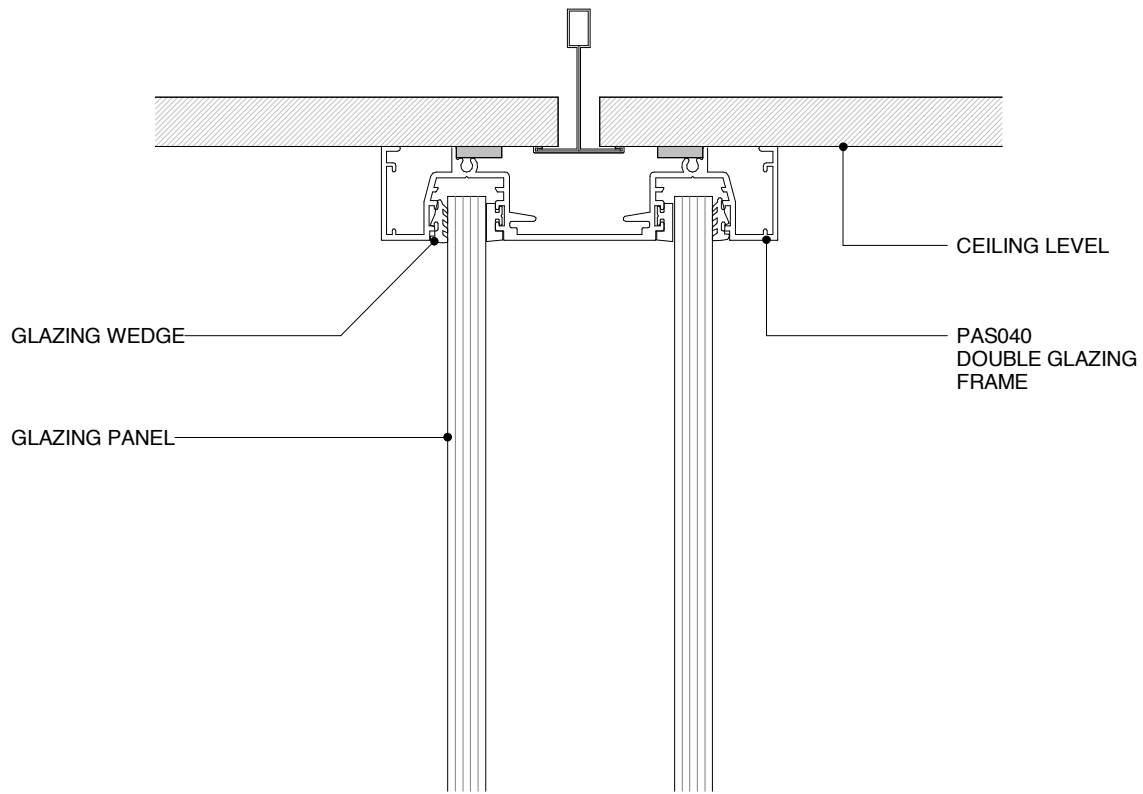
SHEET

1 : 2 @ A4
SCALE

02/29/12
ISSUED DATE

0800 POTTER (0800 768 837) WWW.POTTERS.CO.NZ
SUBJECT TO CHANGE WITHOUT NOTICE





POTTER ALUMINIUM SYSTEMS
X SERIES - 105 - TWIN GLAZING WALL CARPET SPACER
CROSS SECTION

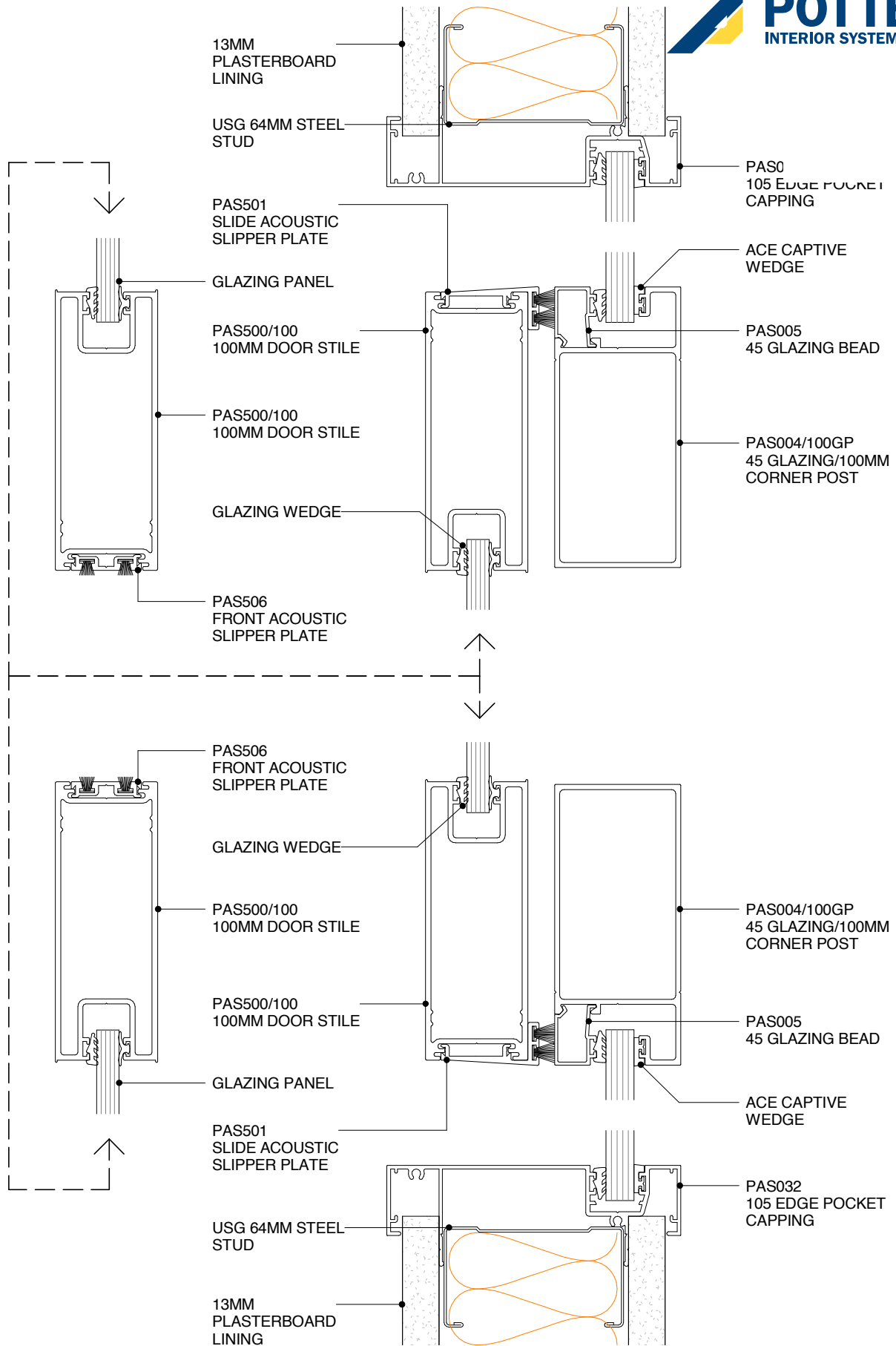
X.1.15
 SHEET

1 : 2 @ A4
 SCALE

02/29/12
 ISSUED DATE

0800 POTTER (0800 768 837) WWW.POTTERS.CO.NZ
 SUBJECT TO CHANGE WITHOUT NOTICE





POTTER ALUMINIUM SYSTEMS
X SERIES - SLIDER - 100MM DOOR 2
PLAN VIEW

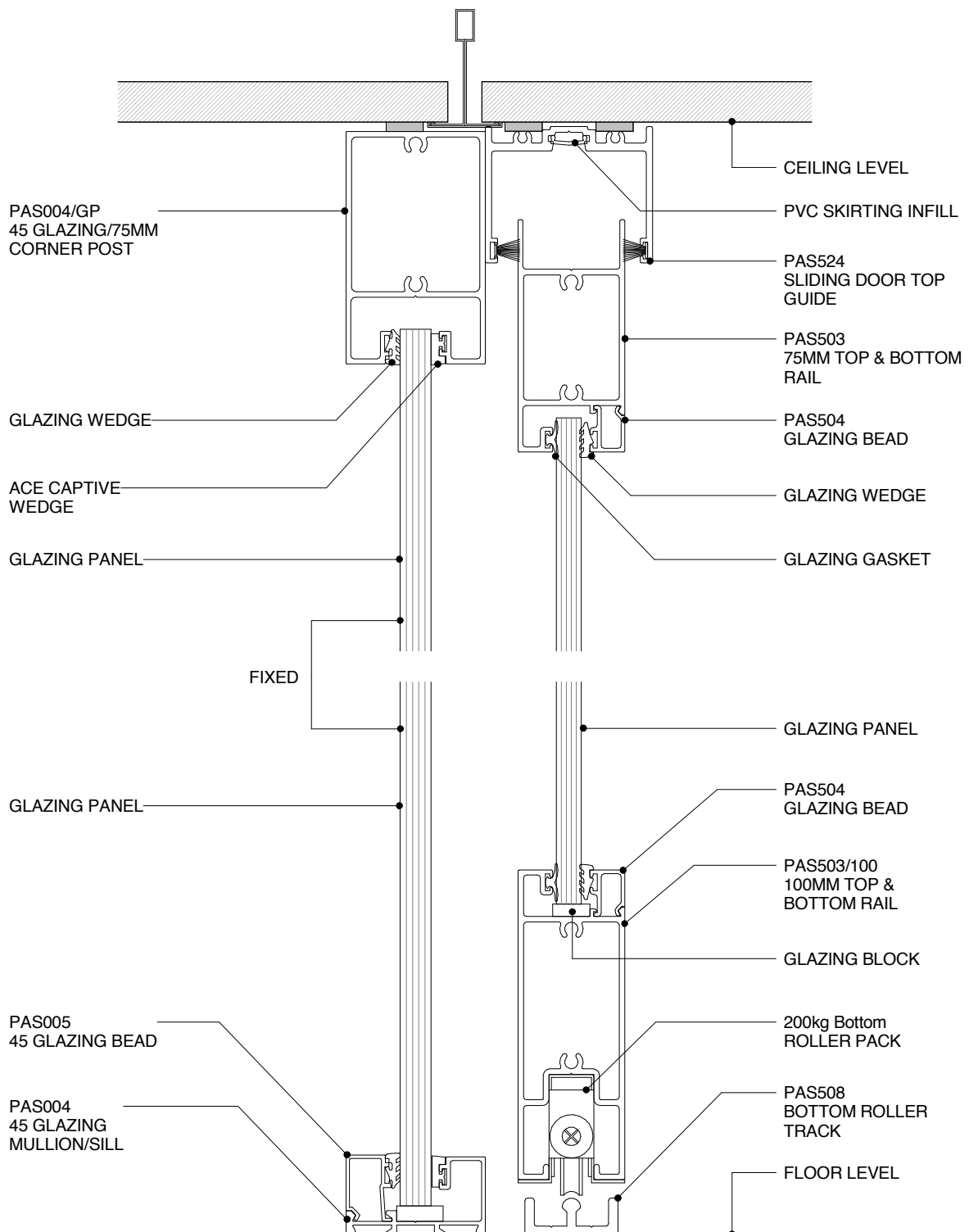
X.1.16
 SHEET

1 : 2 @ A4
 SCALE

03/01/12
 ISSUED DATE

0800 POTTER (0800 768 837) WWW.POTTERS.CO.NZ
 SUBJECT TO CHANGE WITHOUT NOTICE





POTTER ALUMINIUM SYSTEMS
X SERIES - DOOR WITH BOTTOM ROLLER
SECTION

CROSS

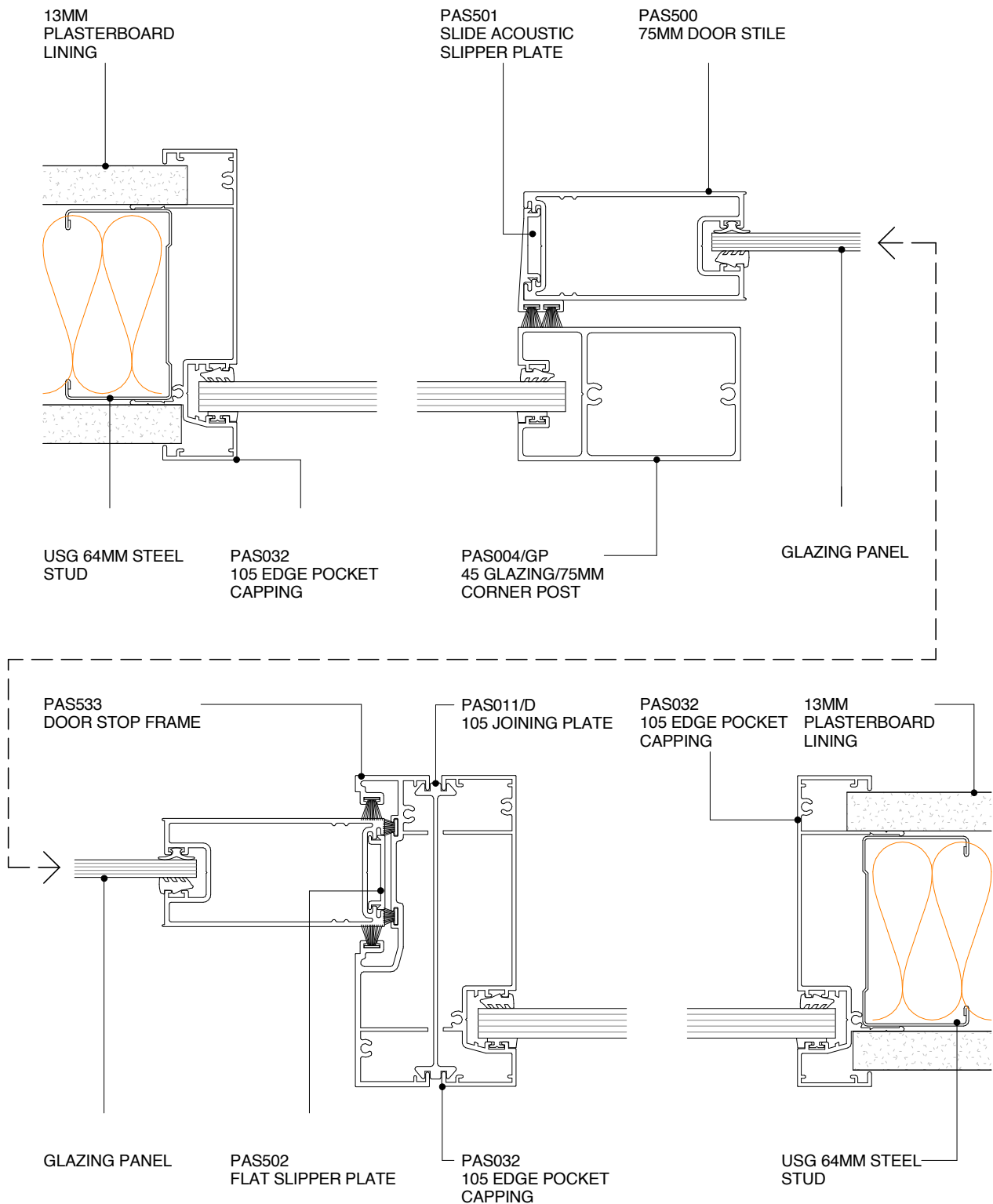
X.1.17
 SHEET

1 : 2 @ A4
 SCALE

03/01/12
 ISSUED DATE

0800 POTTER (0800 768 837) WWW.POTTERS.CO.NZ
 SUBJECT TO CHANGE WITHOUT NOTICE





POTTER ALUMINIUM SYSTEMS
X SERIES - SONY 75MM SLIDERS AND SIDE LIGHT
PLAN VIEW

X.1.18

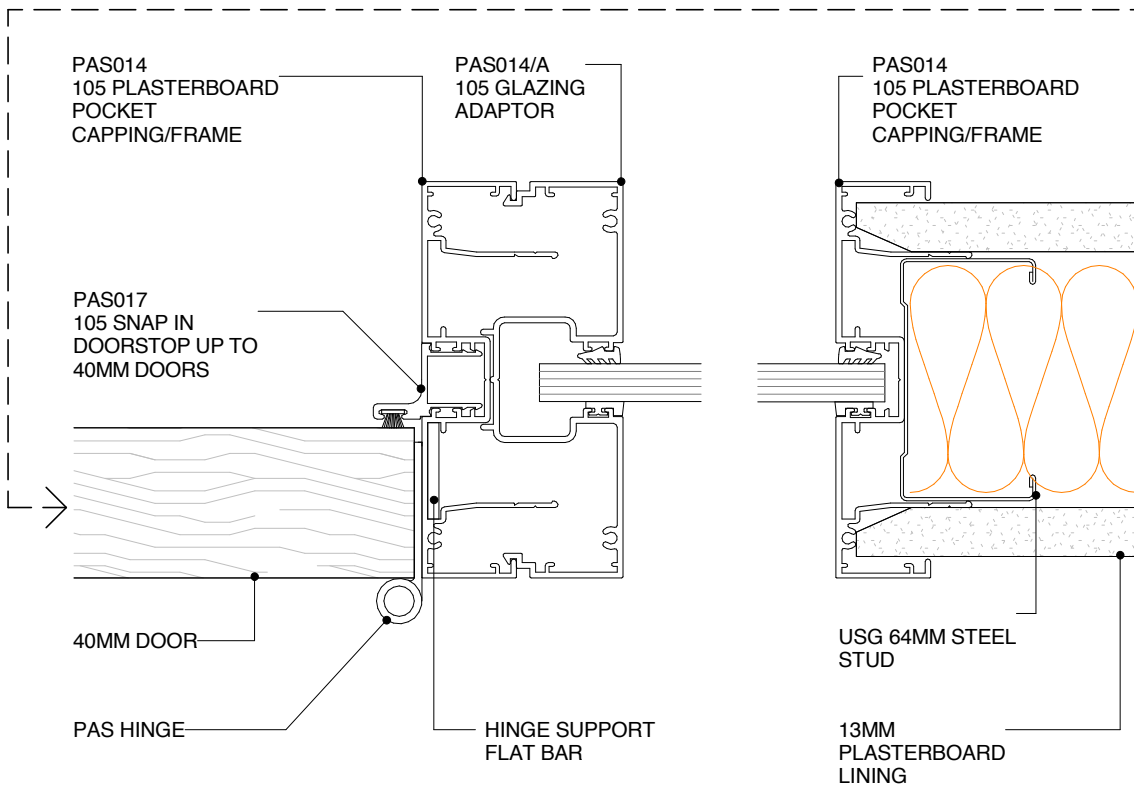
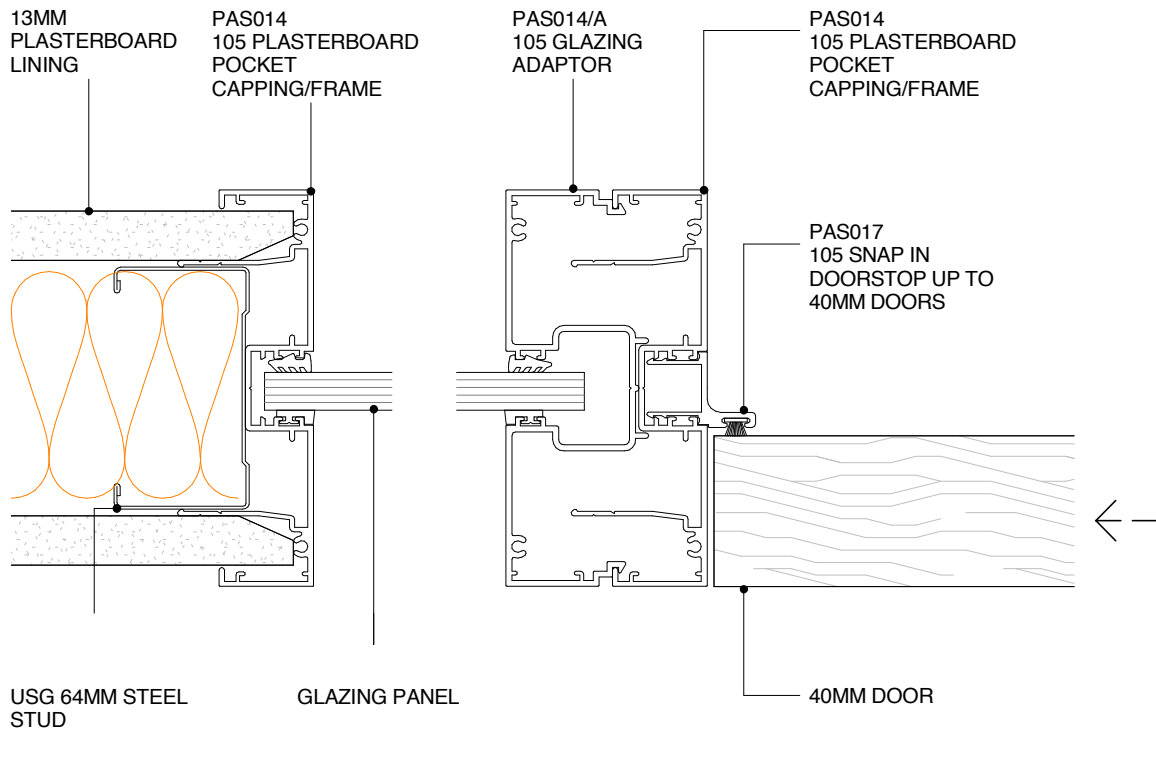
SHEET

1 : 2 @ A4
 SCALE

03/14/12
 ISSUED DATE

0800 POTTER (0800 768 837) WWW.POTTERS.CO.NZ
 SUBJECT TO CHANGE WITHOUT NOTICE

CSR



POTTER ALUMINIUM SYSTEMS
X SERIES - SONY TWIN MULLIONS AND SIDELIGHTS
PLAN VIEW

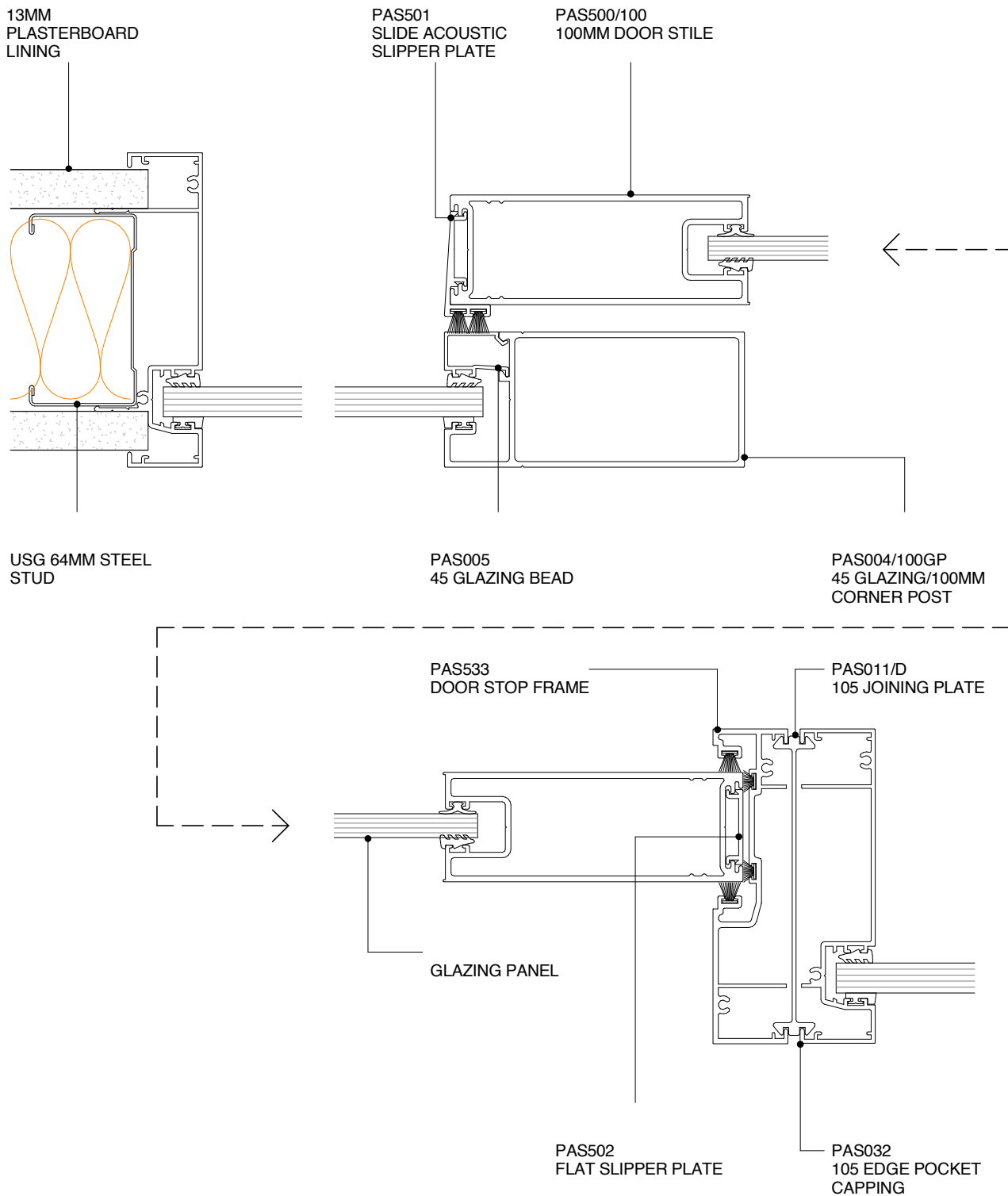
X.1.19
 SHEET

1 : 2 @ A4
 SCALE

03/26/12
 ISSUED DATE

0800 POTTER (0800 768 837) WWW.POTTERS.CO.NZ
 SUBJECT TO CHANGE WITHOUT NOTICE





POTTER ALUMINIUM SYSTEMS
X SERIES - SONY 100MM SLIDERS AND SIDELIGHT
PLAN VIEW

X.1.20

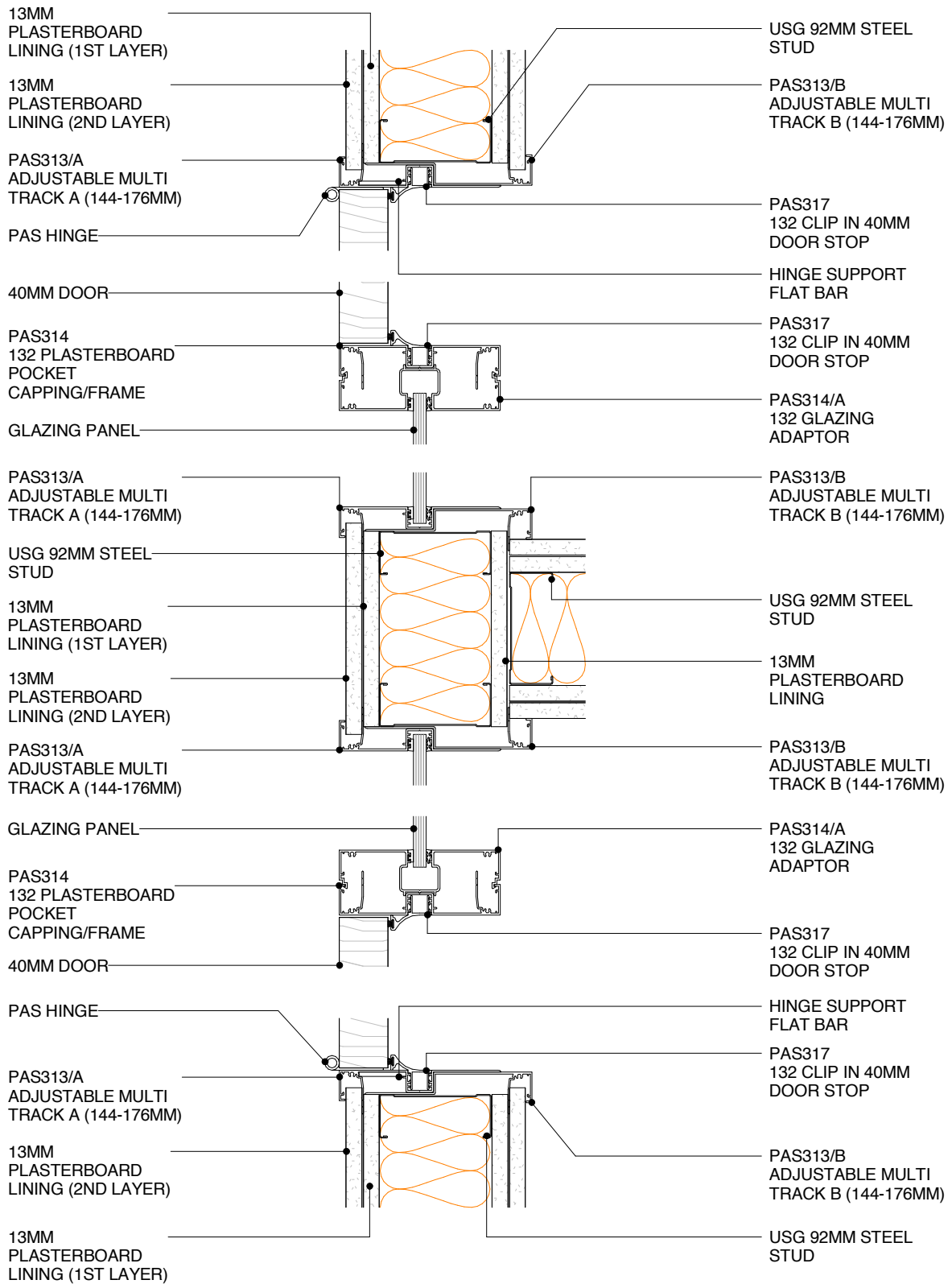
SHEET

1 : 2 @ A4
 SCALE

03/26/12
 ISSUED DATE

0800 POTTER (0800 768 837) WWW.POTTERS.CO.NZ
 SUBJECT TO CHANGE WITHOUT NOTICE

CSR



POTTER ALUMINIUM SYSTEMS
X SERIES - SONY HIGH ACOUSTIC WALL
PLAN VIEW

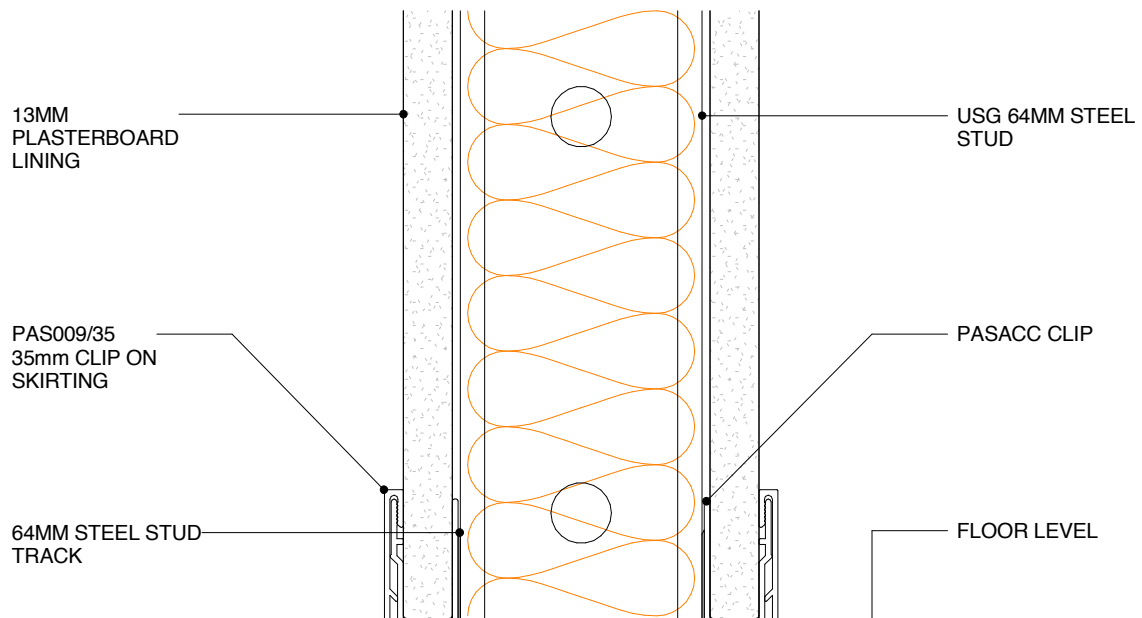
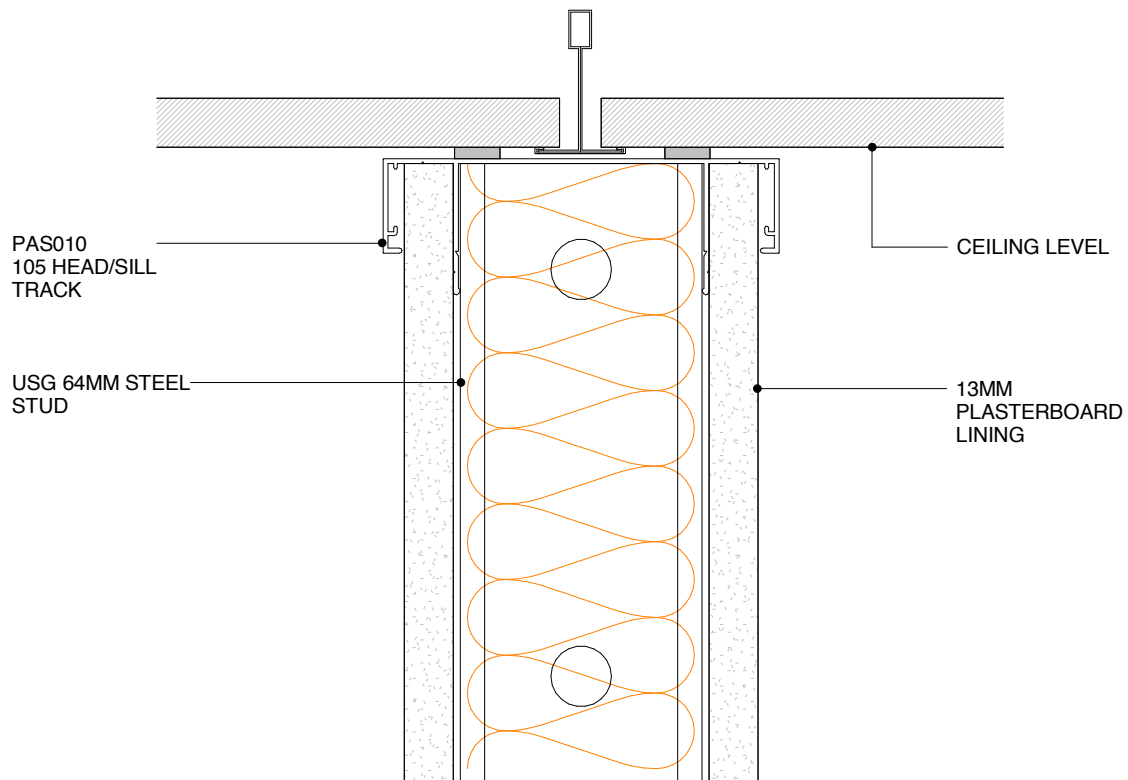
X.1.21
 SHEET

1 : 5 @ A4
 SCALE

03/26/12
 ISSUED DATE

0800 POTTER (0800 768 837) WWW.POTTERS.CO.NZ
 SUBJECT TO CHANGE WITHOUT NOTICE





POTTER ALUMINIUM SYSTEMS
X SERIES - STEEL STUD WALL WITH 35MM CLIP ON SKIRTING
CROSS SECTION

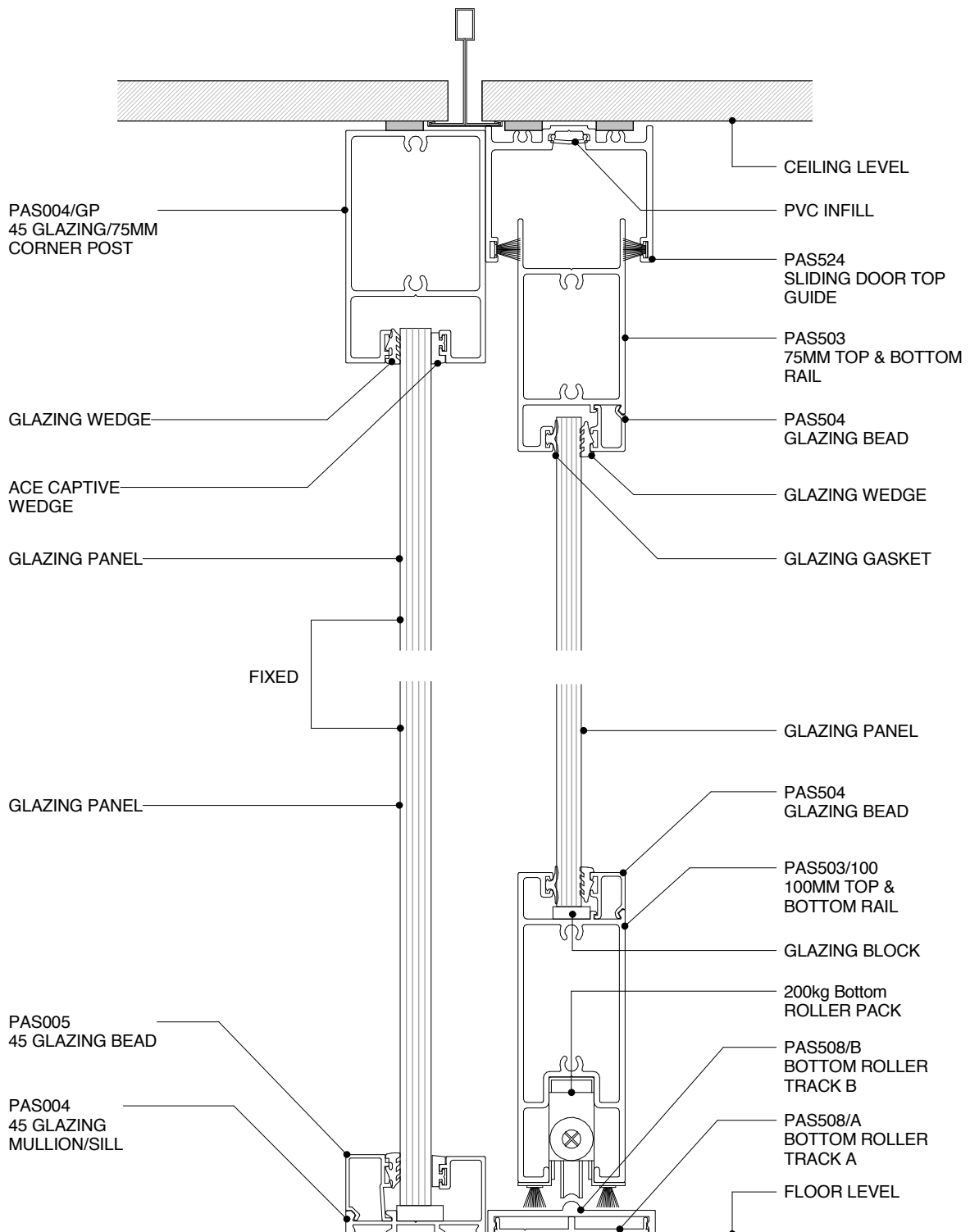
X.1.22
SHEET

1 : 2 @ A4
SCALE

04/03/12
ISSUED DATE

0800 POTTER (0800 768 837) WWW.POTTERS.CO.NZ
SUBJECT TO CHANGE WITHOUT NOTICE

CSR



POTTER ALUMINIUM SYSTEMS
X SERIES - DOOR WITH BOTTOM ROLLER ACOUSTIC THRESHOLD
CROSS SECTION

X.1.23

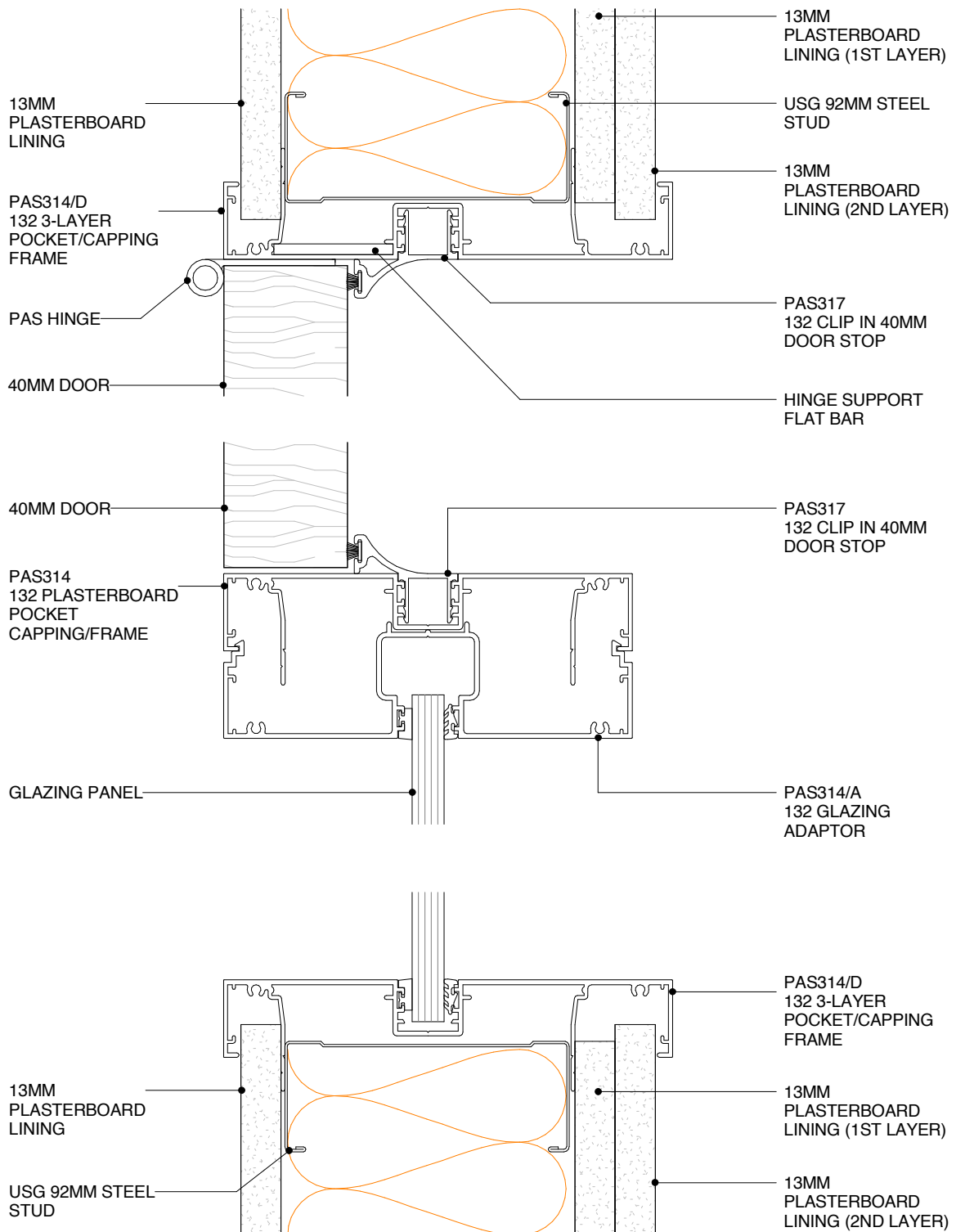
SHEET

1 : 2 @ A4
 SCALE

04/03/12
 ISSUED DATE

0800 POTTER (0800 768 837) WWW.POTTERS.CO.NZ
 SUBJECT TO CHANGE WITHOUT NOTICE





POTTER ALUMINIUM SYSTEMS
X SERIES - 132 92MM - THREE LAYER SYSTEM
PLAN VIEW

X.1.24

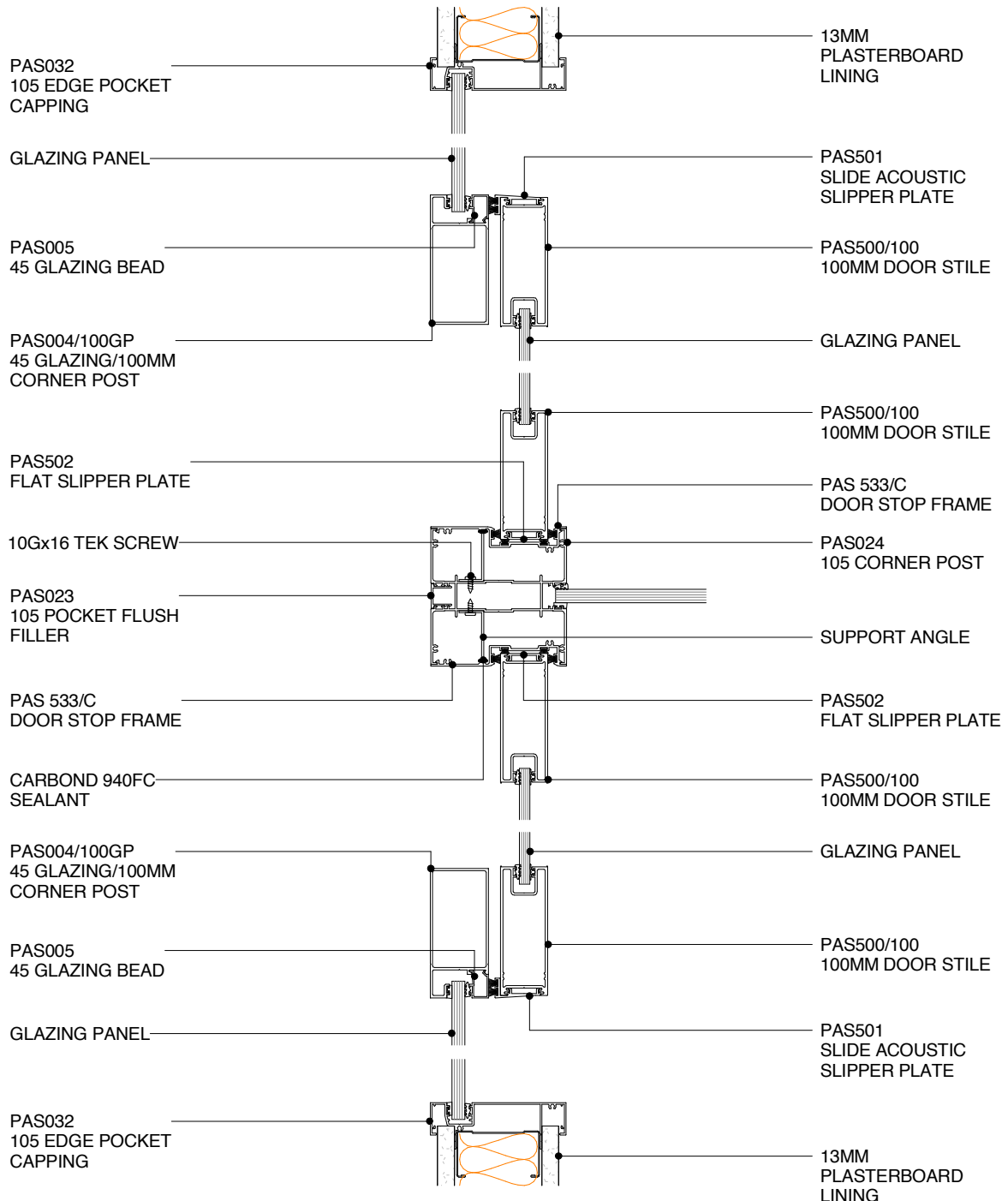
SHEET

1 : 2 @ A4
 SCALE

04/20/12
 ISSUED DATE

0800 POTTER (0800 768 837) WWW.POTTERS.CO.NZ
 SUBJECT TO CHANGE WITHOUT NOTICE

CSR



POTTER ALUMINIUM SYSTEMS
X SERIES - SLIDER - 100MM DOOR TO CORNER POST
PLAN VIEW

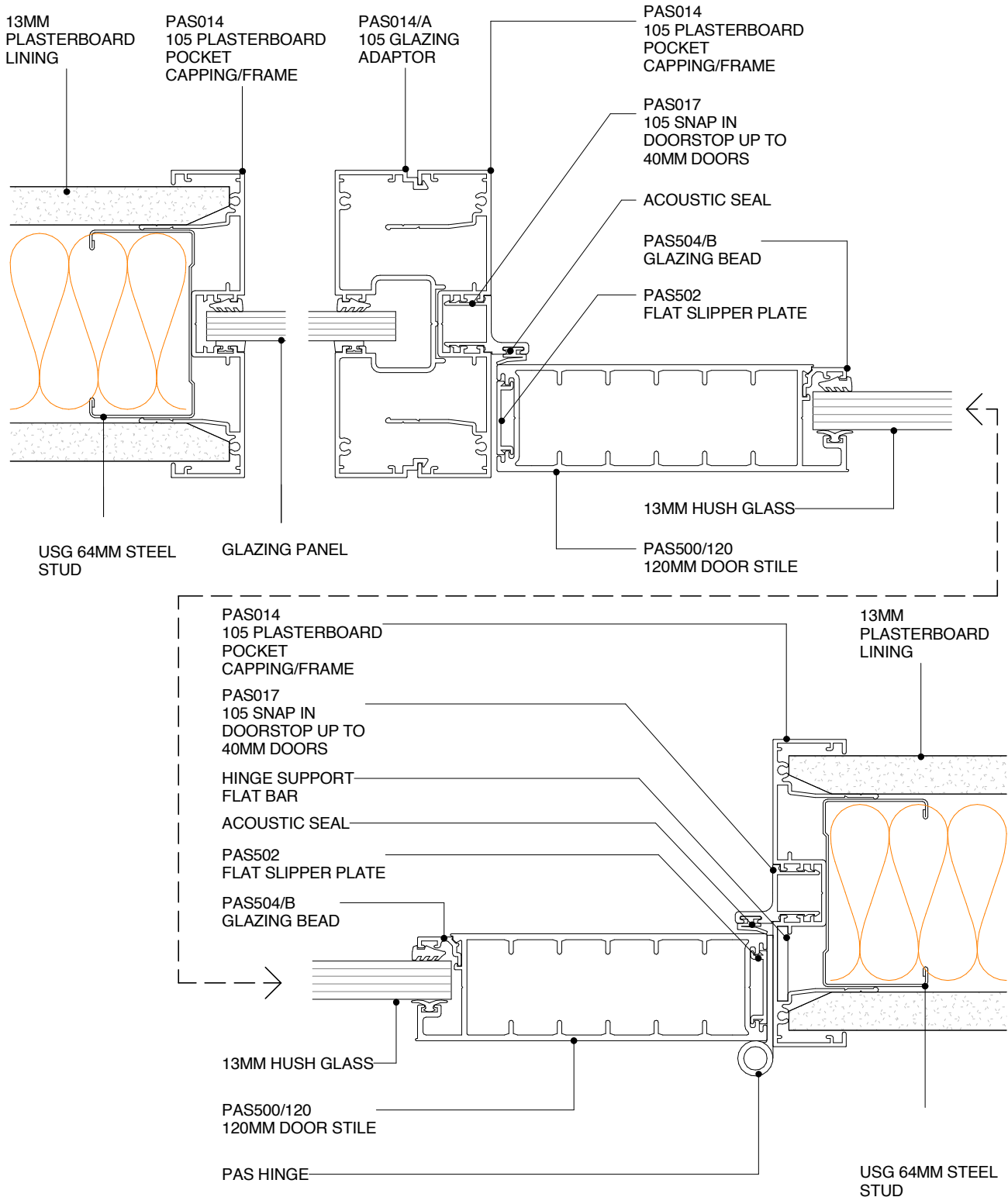
X.1.25
 SHEET

1 : 5 @ A4
 SCALE

18/07/12
 ISSUED DATE

0800 POTTER (0800 768 837) WWW.POTTERS.CO.NZ
 SUBJECT TO CHANGE WITHOUT NOTICE





POTTER ALUMINIUM SYSTEMS
X SERIES - 105 50MM - MULLION & DS SERIES 120MM DOOR
PLAN VIEW

X.1.26

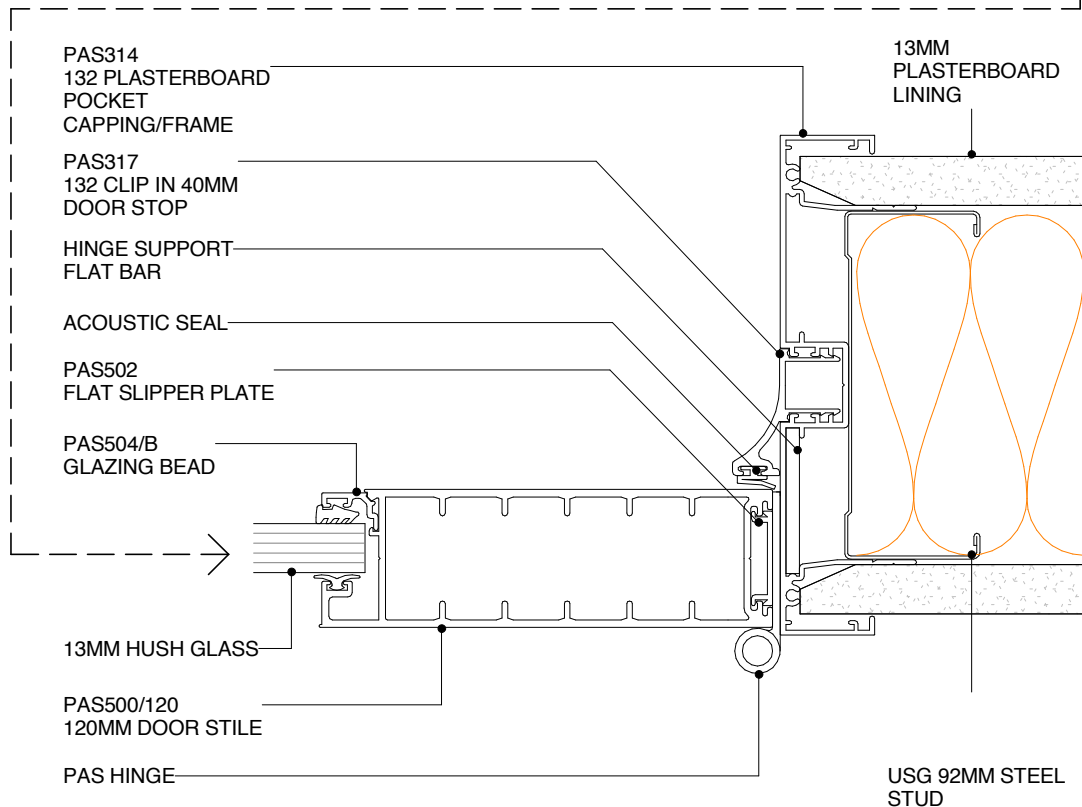
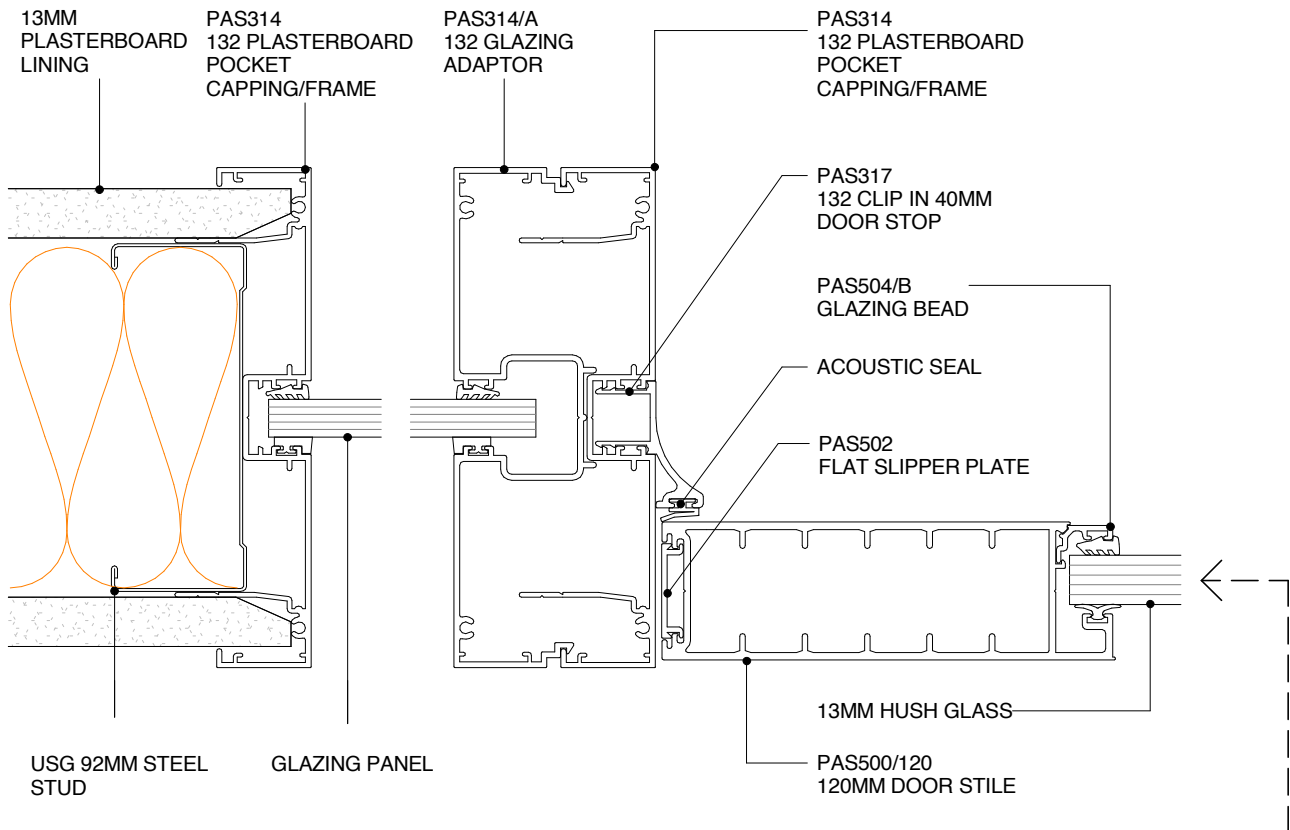
SHEET

1 : 2 @ A4
 SCALE

07/25/12
 ISSUED DATE

0800 POTTER (0800 768 837) WWW.POTTERS.CO.NZ
 SUBJECT TO CHANGE WITHOUT NOTICE

CSR



POTTER ALUMINIUM SYSTEMS
X SERIES - 132 50MM - MULLION & DS SERIES 120MM DOOR
PLAN VIEW

X.1.27

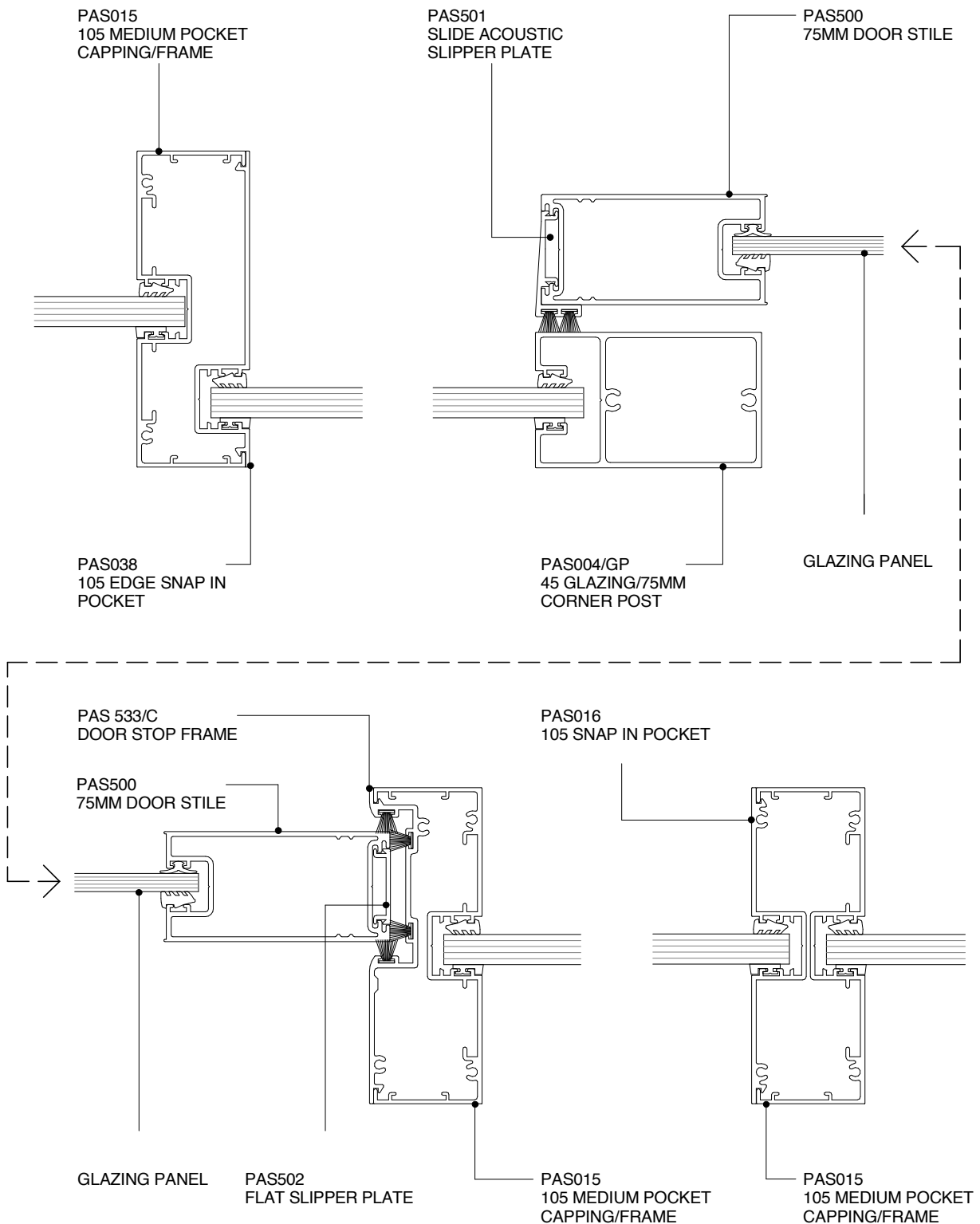
SHEET

1 : 2 @ A4
 SCALE

07/26/12
 ISSUED DATE

0800 POTTER (0800 768 837) WWW.POTTERS.CO.NZ
 SUBJECT TO CHANGE WITHOUT NOTICE

CSR



POTTER ALUMINIUM SYSTEMS
POTTERS 75MM SLIDER WITH OFF SET GLAZING & A105 MULLIONS
PLAN VIEW

X.1.28

SHEET

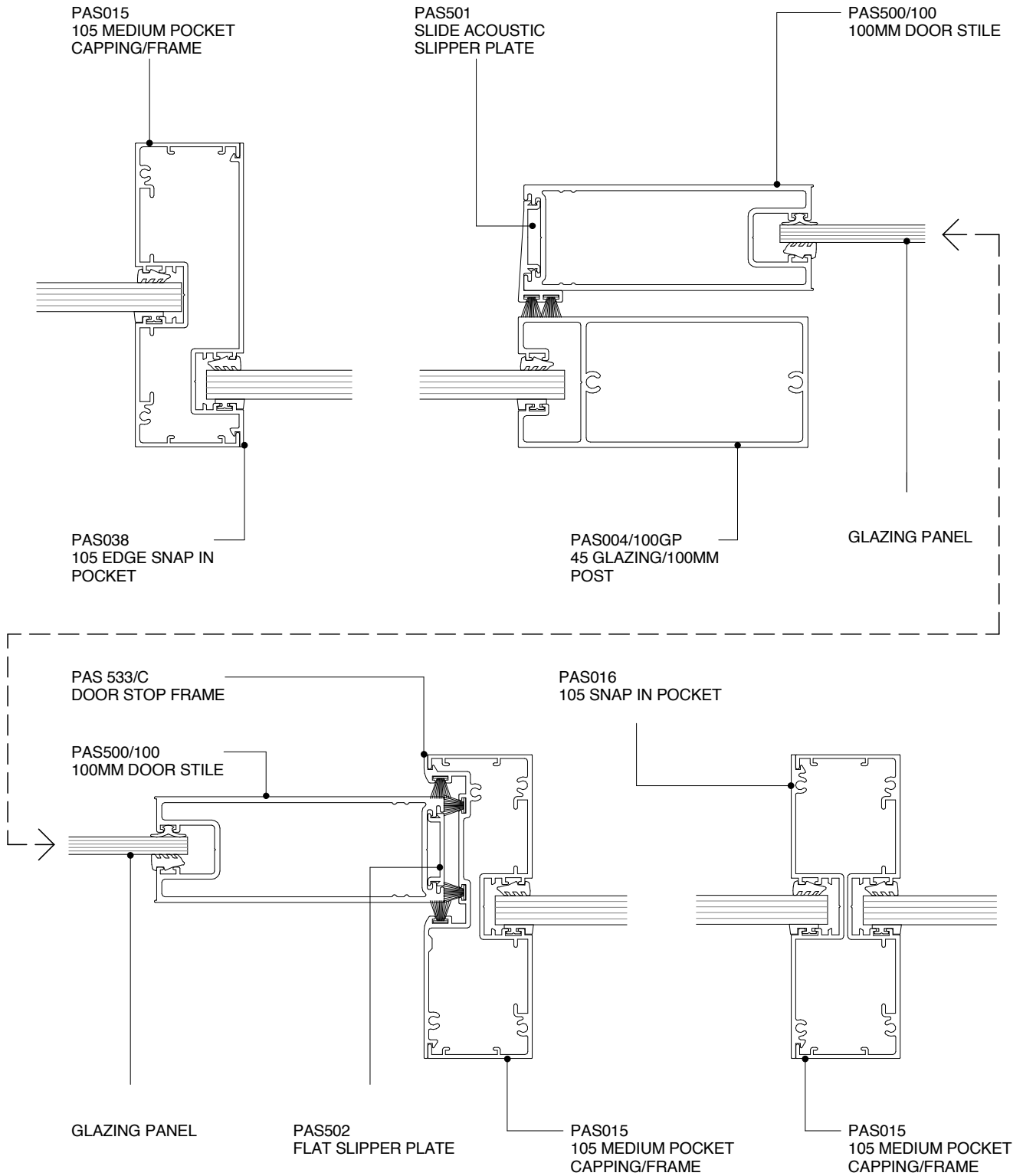
1 : 2 @ A4
SCALE

12/11/12
ISSUED DATE

0800 POTTER (0800 768 837) WWW.POTTERS.CO.NZ
SUBJECT TO CHANGE WITHOUT NOTICE

CSR

X SERIES



POTTER ALUMINIUM SYSTEMS
POTTERS 100MM SLIDER WITH OFF SET GLAZING & A105 MULLIONS
PLAN VIEW

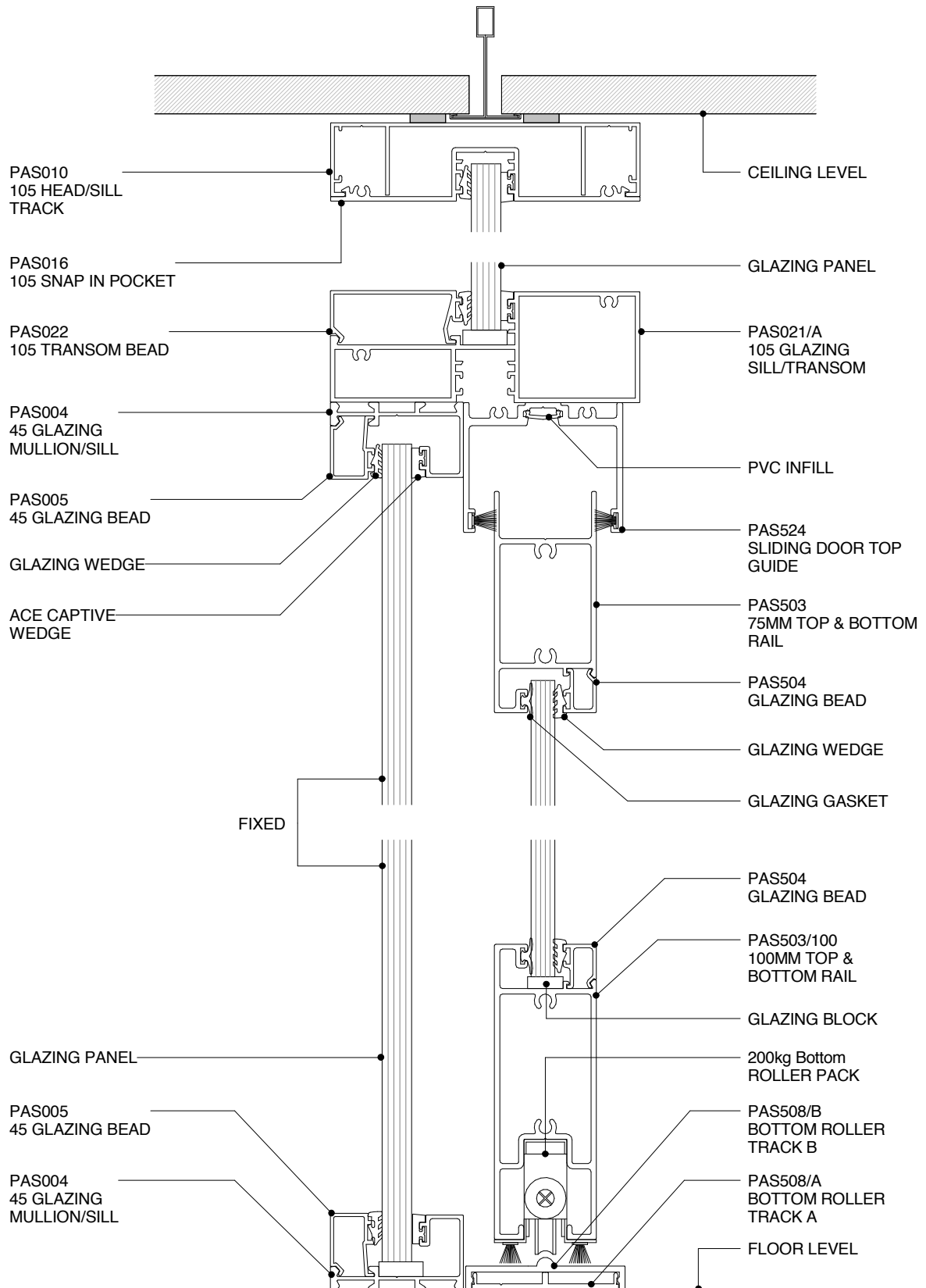
X.1.29
 SHEET

1 : 2 @ A4
 SCALE

12/11/12
 ISSUED DATE

0800 POTTER (0800 768 837) WWW.POTTERS.CO.NZ
 SUBJECT TO CHANGE WITHOUT NOTICE

CSR



POTTER ALUMINIUM SYSTEMS
POTTERS BOTTOM ROLLER DOOR WITH A105 TRANSOM
CROSS SECTION

X.1.30

SHEET

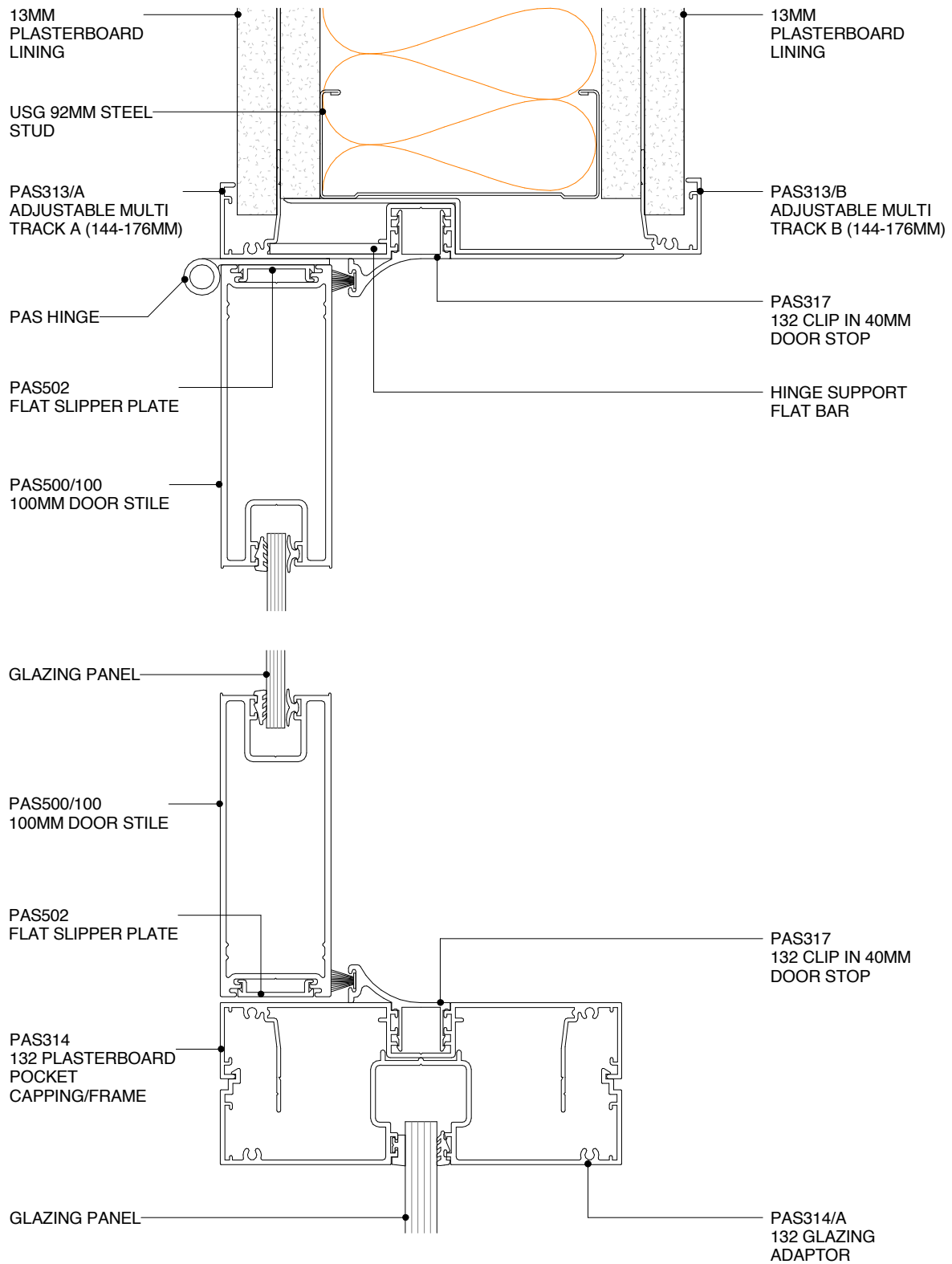
1 : 2 @ A4
 SCALE

12/11/12
 ISSUED DATE

0800 POTTER (0800 768 837) WWW.POTTERS.CO.NZ
 SUBJECT TO CHANGE WITHOUT NOTICE

CSR

X SERIES



POTTER ALUMINIUM SYSTEMS
A SERIES 132 - 50MM MULLION & DS SERIES 100MM DOOR WITH
ADJUSTABLE MULTI TRACK - PLAN VIEW

X.1.31

SHEET

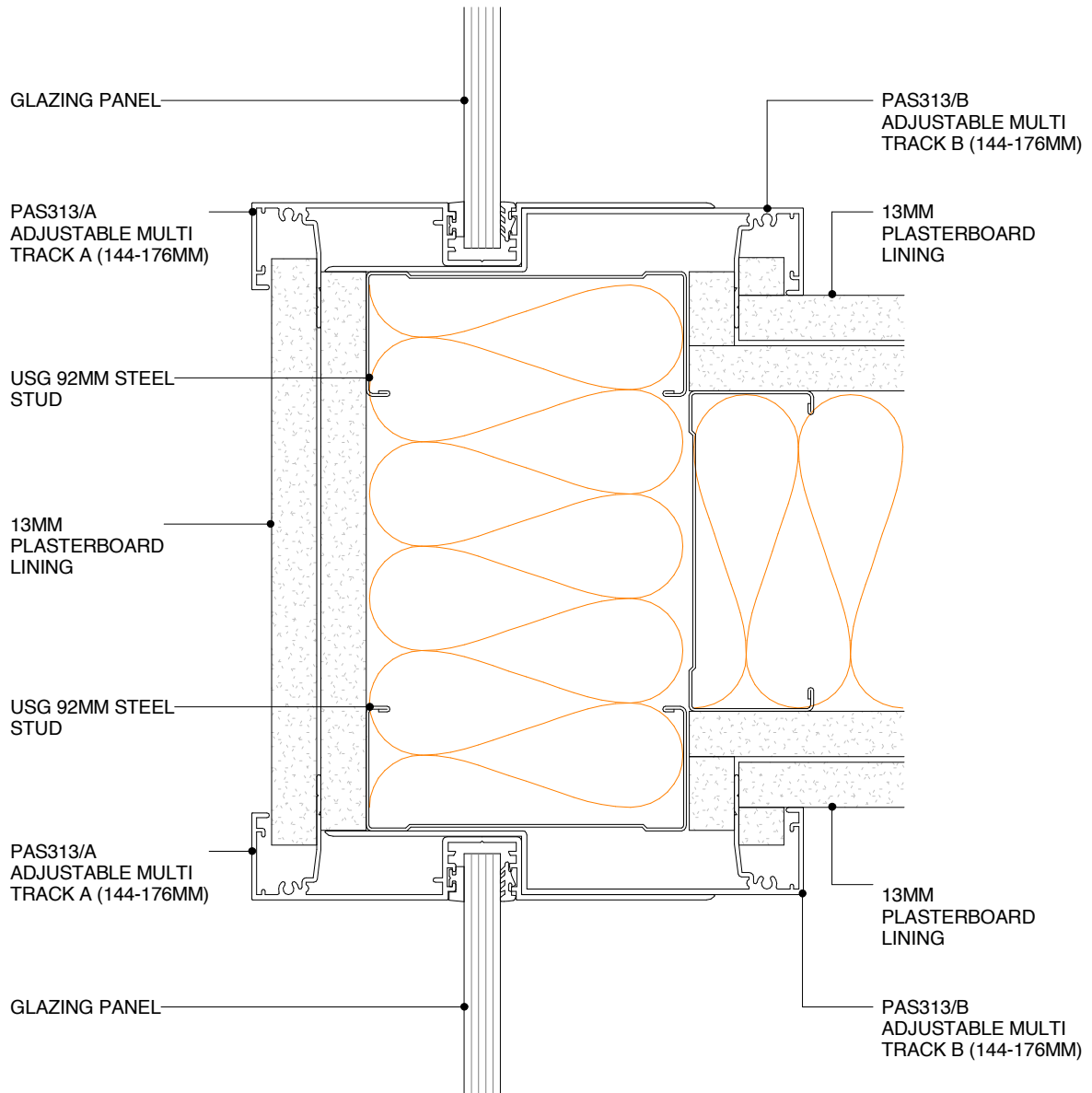
1 : 2 @ A4
 SCALE

11/22/11
 ISSUED DATE

0800 POTTER (0800 768 837) WWW.POTTERS.CO.NZ
 SUBJECT TO CHANGE WITHOUT NOTICE

CSR

X SERIES



POTTER ALUMINIUM SYSTEMS
A SERIES 132 - ADJUSTABLE MULTI TRACK WALL TO T JUNCTION
GLAZING - PLAN VIEW

X.1.32

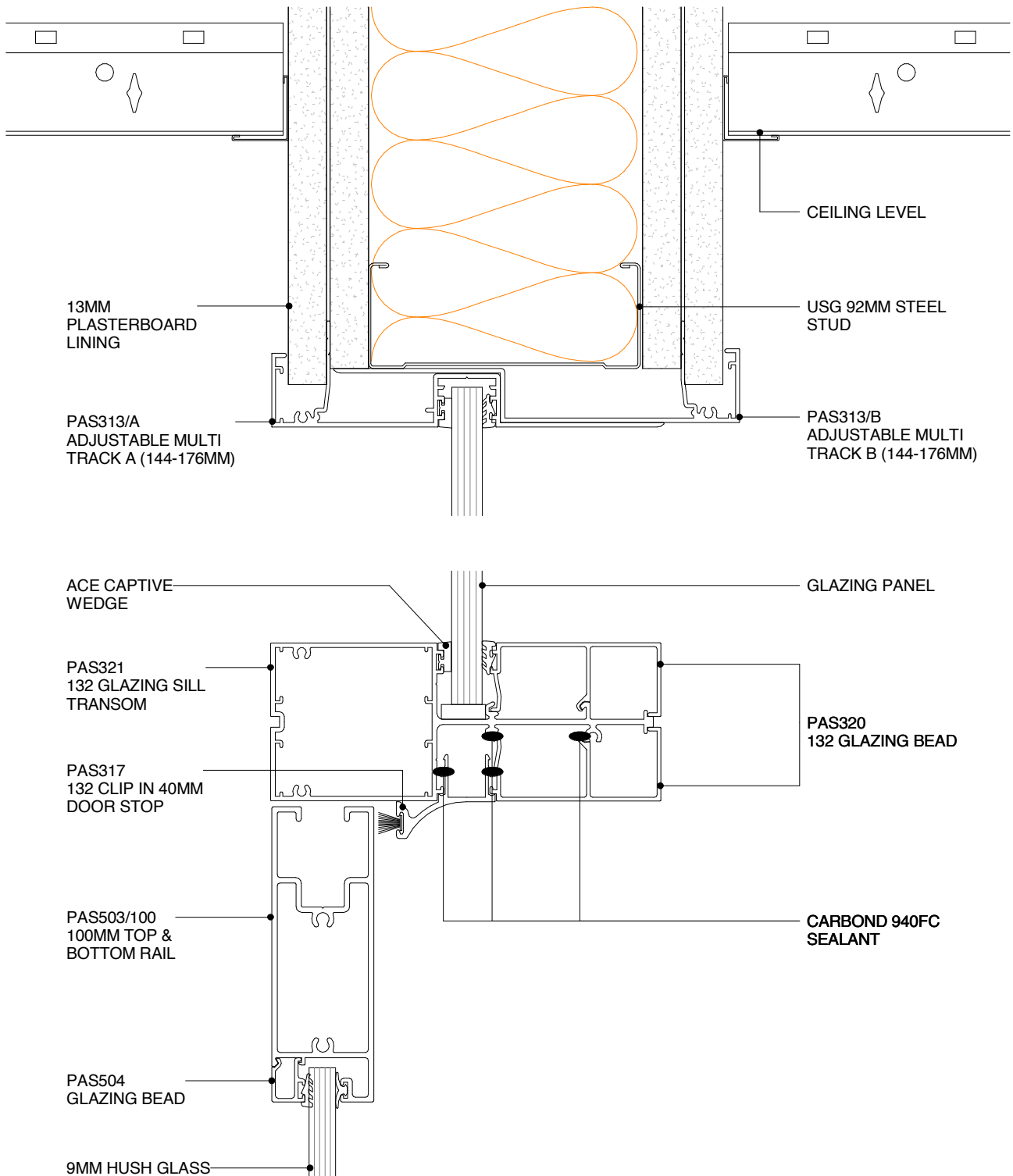
SHEET

1 : 2 @ A4
 SCALE

11/22/11
 ISSUED DATE

0800 POTTER (0800 768 837) WWW.POTTERS.CO.NZ
 SUBJECT TO CHANGE WITHOUT NOTICE

CSR



POTTER ALUMINIUM SYSTEMS
A SERIES 132 - ADJUSTABLE MULTI TRACK GLAZING TRANSOM
WITH DS SERIES 100MM DOOR - CROSS SECTION

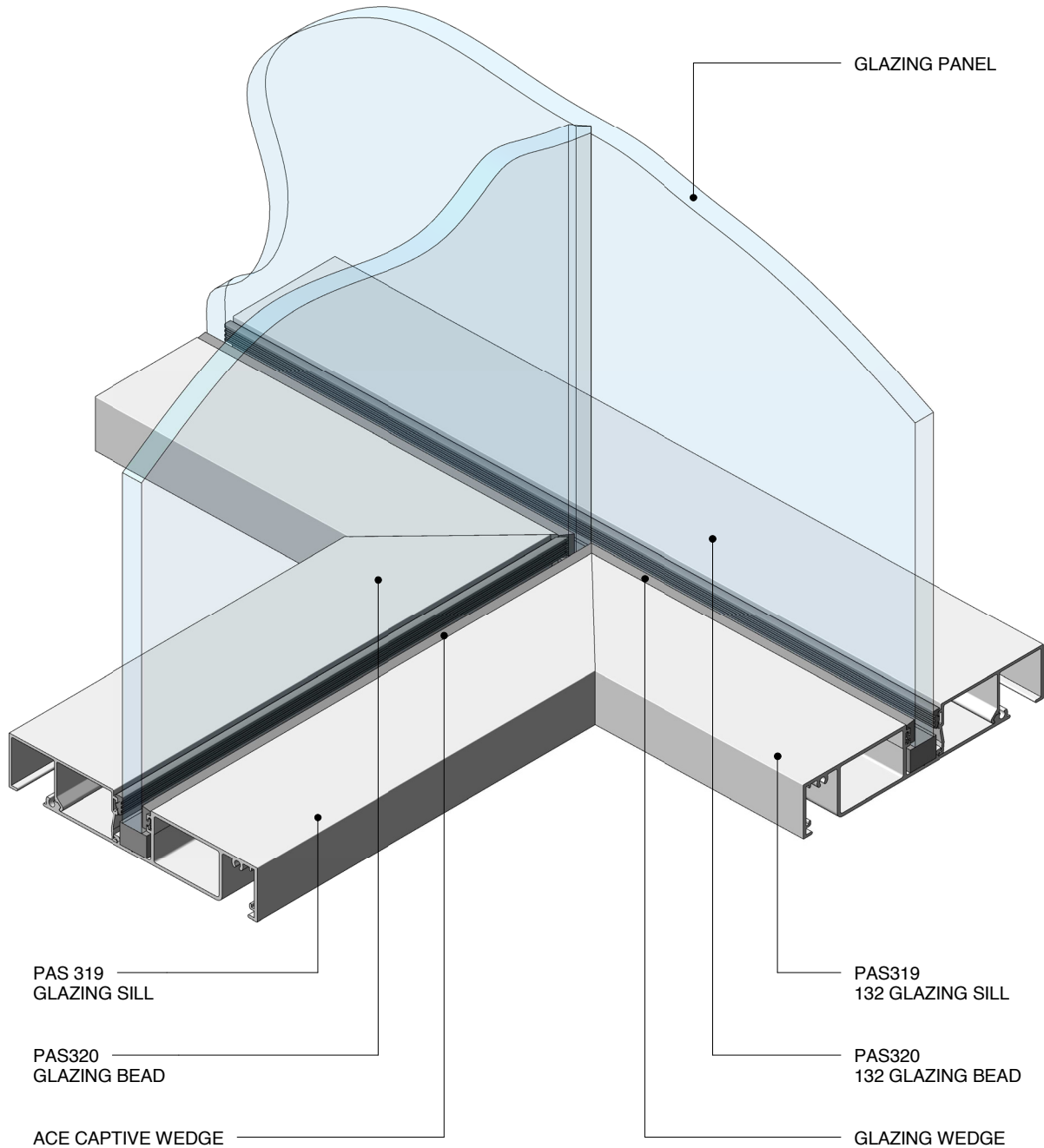
X.1.33
 SHEET

1 : 2 @ A4
 SCALE

11/22/11
 ISSUED DATE

0800 POTTER (0800 768 837) WWW.POTTERS.CO.NZ
 SUBJECT TO CHANGE WITHOUT NOTICE

CSR



POTTER ALUMINIUM SYSTEMS
A SERIES 132 - GLAZING SILL 90° JUNCTION
PERSPECTIVE

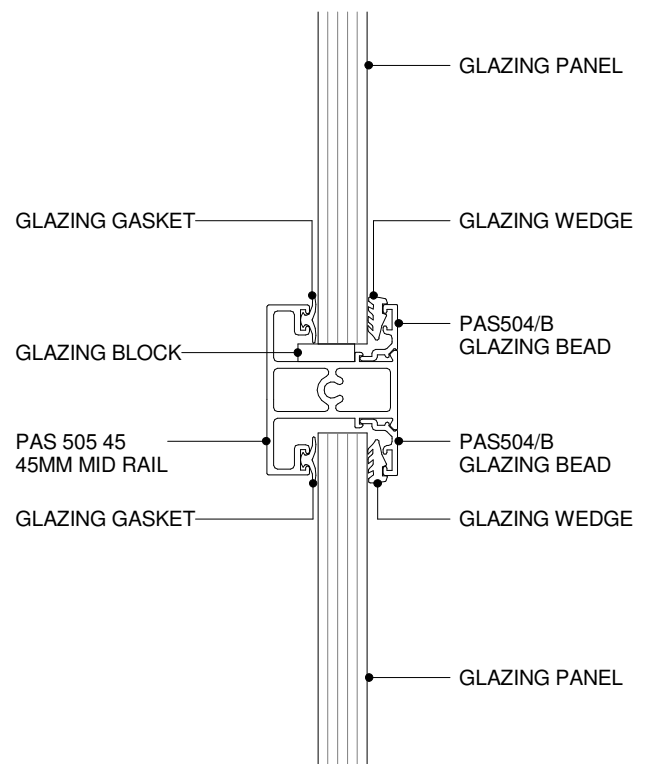
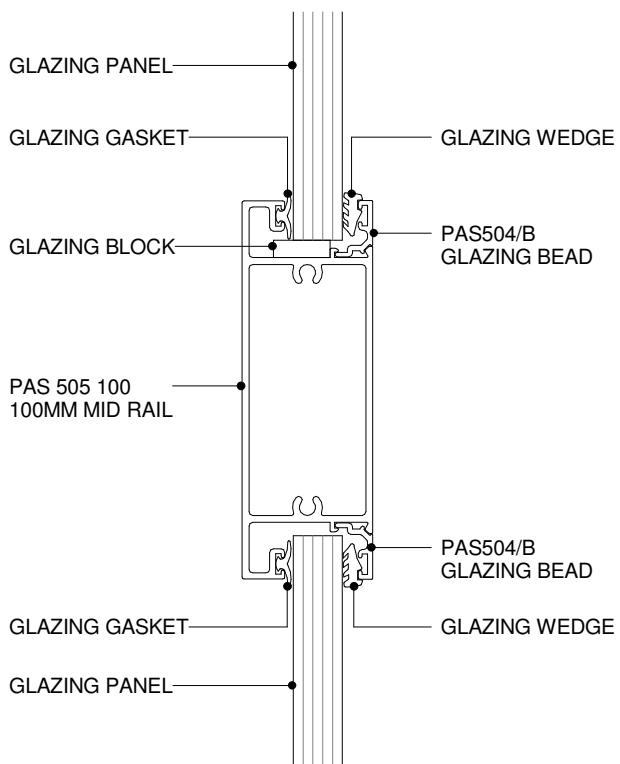
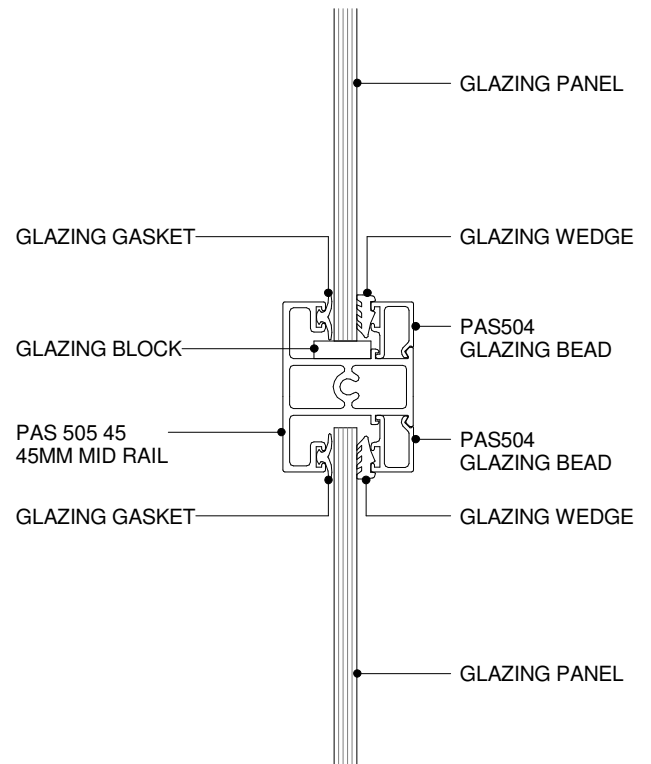
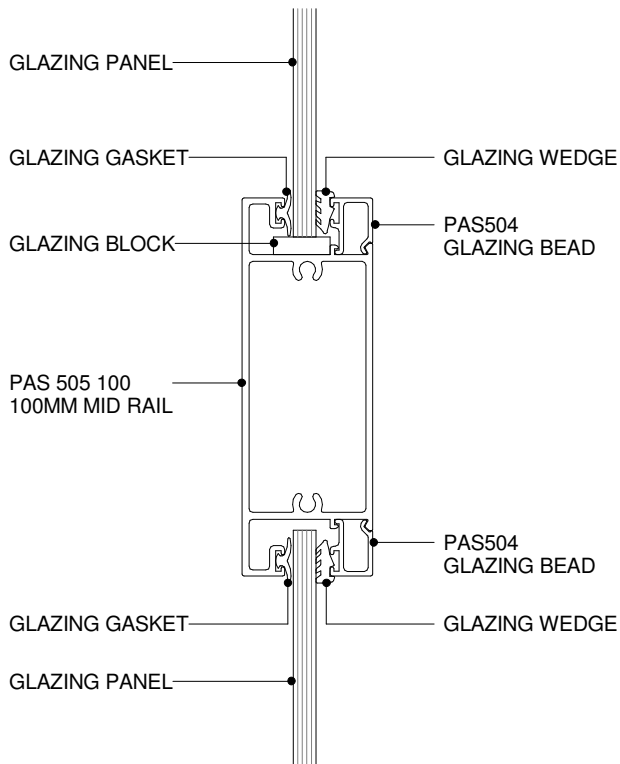
X.1.34
SHEET

@ A4
SCALE

11/25/11
ISSUED DATE

0800 POTTER (0800 768 837) WWW.POTTERS.CO.NZ
SUBJECT TO CHANGE WITHOUT NOTICE





POTTER ALUMINIUM SYSTEMS
X SERIES - 100MM AND 45MM MID RAILS

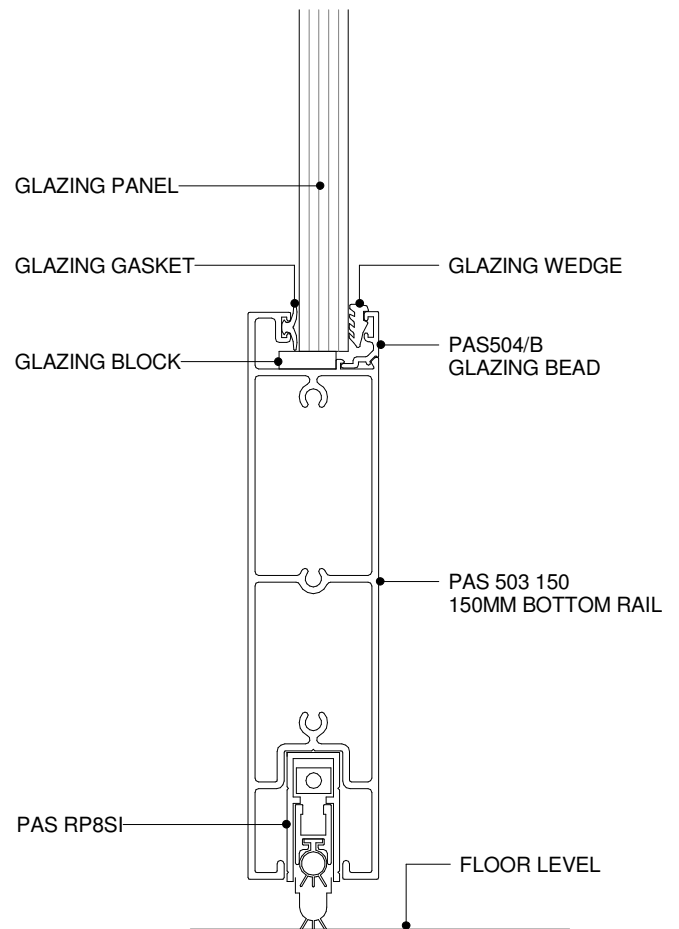
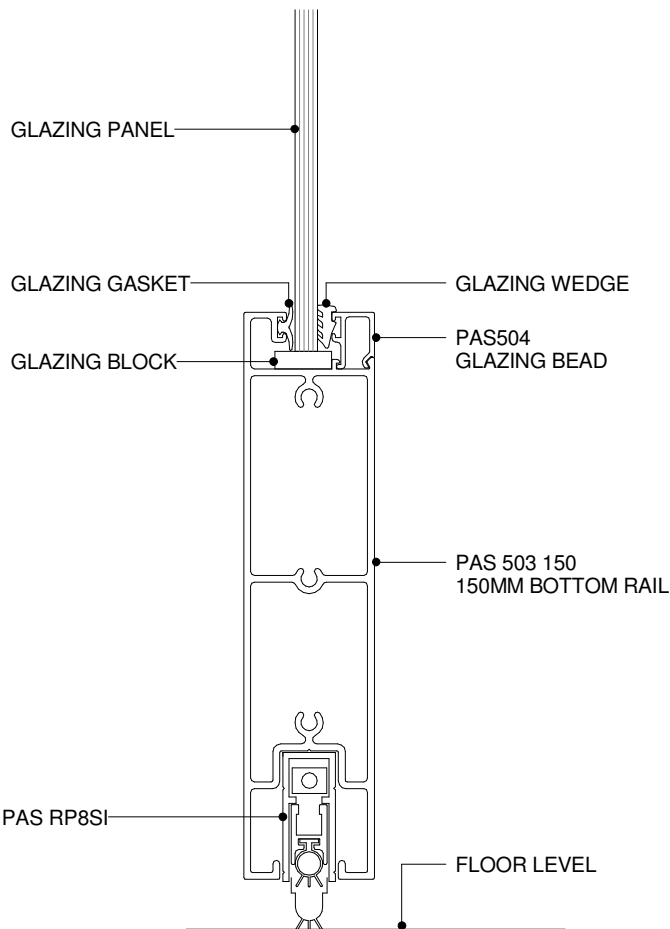
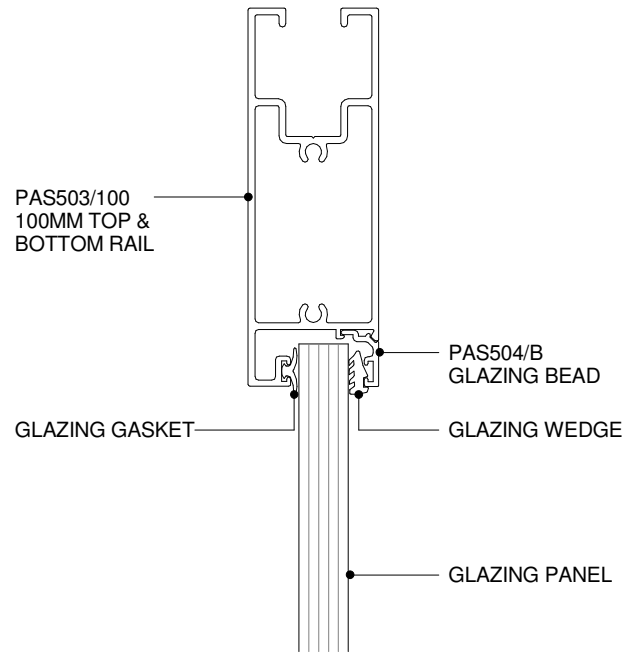
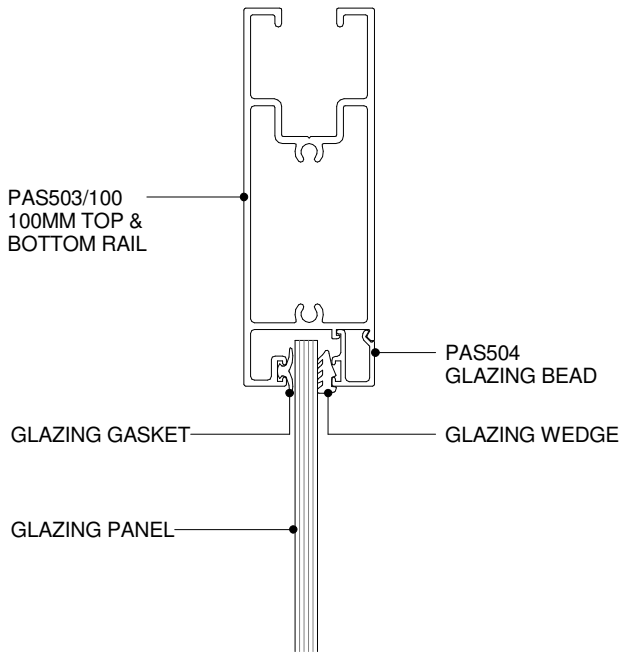
X.1.35
 SHEET

1 : 2 @ A4
 SCALE

15/04/13
 ISSUED DATE

0800 POTTER (0800 768 837) WWW.POTTERS.CO.NZ
 SUBJECT TO CHANGE WITHOUT NOTICE





POTTER ALUMINIUM SYSTEMS
X SERIES - 150MM BOTTOM RAIL WITH RP8SI DOOR SEAL

X.1.36
SHEET

1 : 2 @ A4
SCALE

15/04/13
ISSUED DATE

0800 POTTER (0800 768 837) WWW.POTTERS.CO.NZ
SUBJECT TO CHANGE WITHOUT NOTICE

