

ALTERNATIVE SILL

SECTION A-A

SECTION B-B

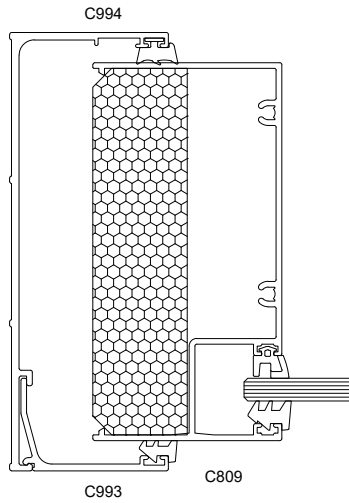
## 100mm FRONT GLAZE FIXED GLAZING WINDOW

FAIRVIEW SYSTEMS LIMITED SPECIFIERS GUIDE 2014 © TECHNICAL SPECIFICATIONS & PROFILE DETAILS SUBJECT TO CHANGE WITHOUT NOTICE

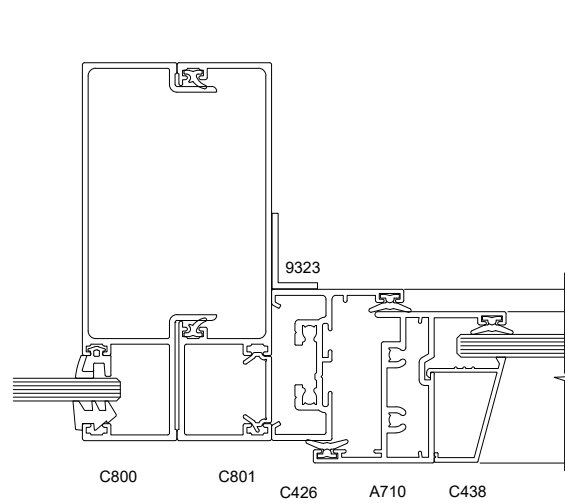
FAIRVIEW 50 COMMERCIAL FULL SUITE

DATE 14.06.2018	SCALE 1:2
REF. FG100.0010	

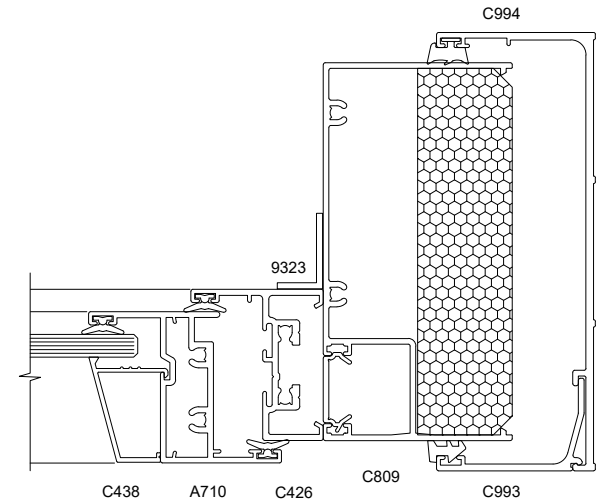
SECTION A-A



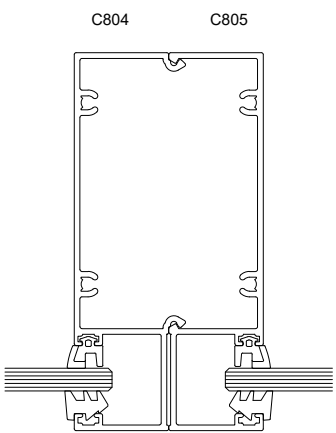
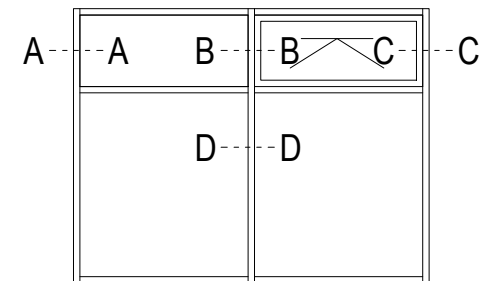
SECTION B-B



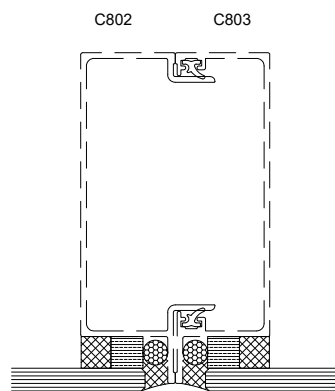
SECTION C-C



PROFILES SHOWN IN DASHED LINES ARE SUBJECT TO SPECIAL ORDER ONLY, CONSULT FAIRVIEW SYSTEMS FOR INFO

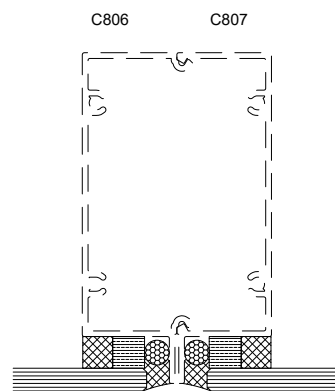


SECTION D-D

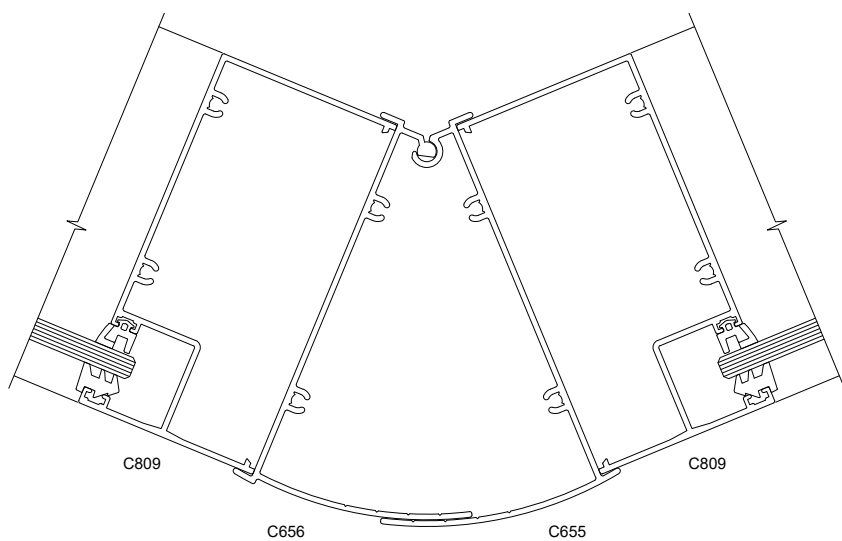
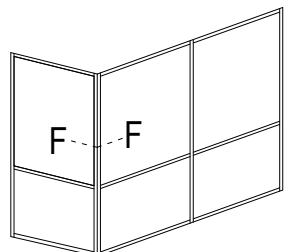
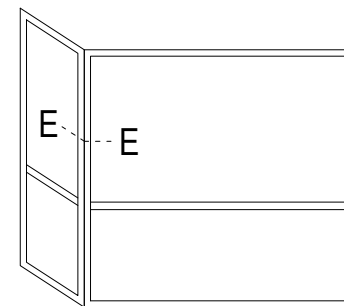


SECTION D-D

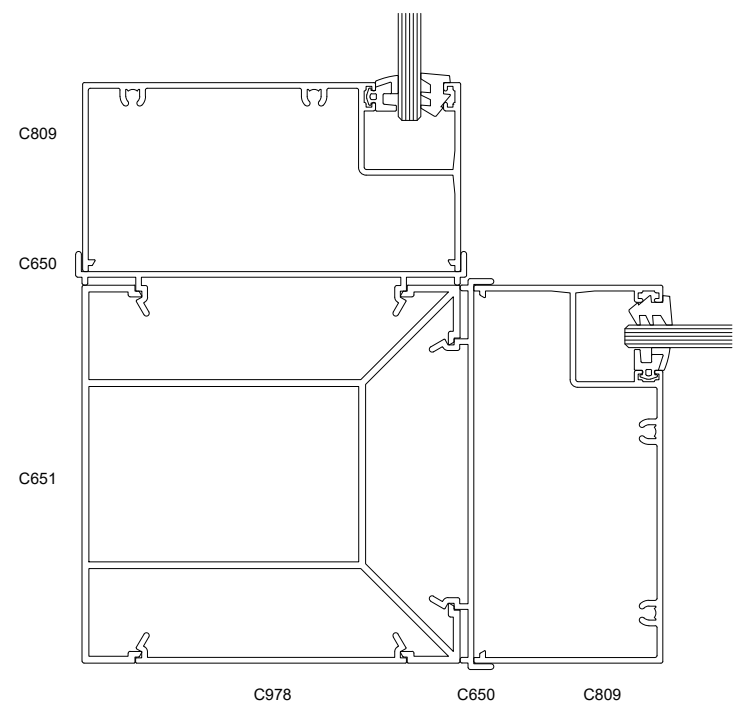
ALTERNATIVE MULLIONS



SECTION D-D



SECTION E-E



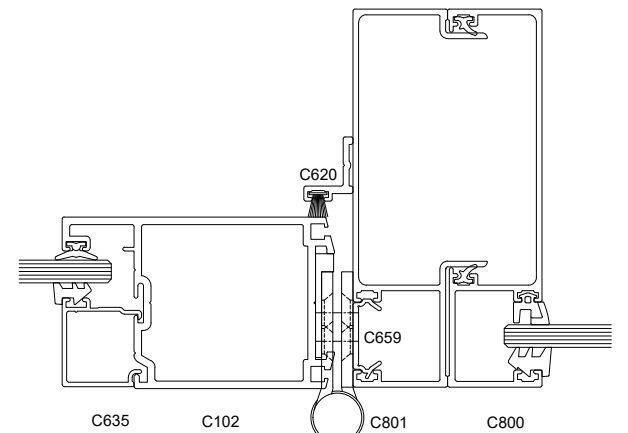
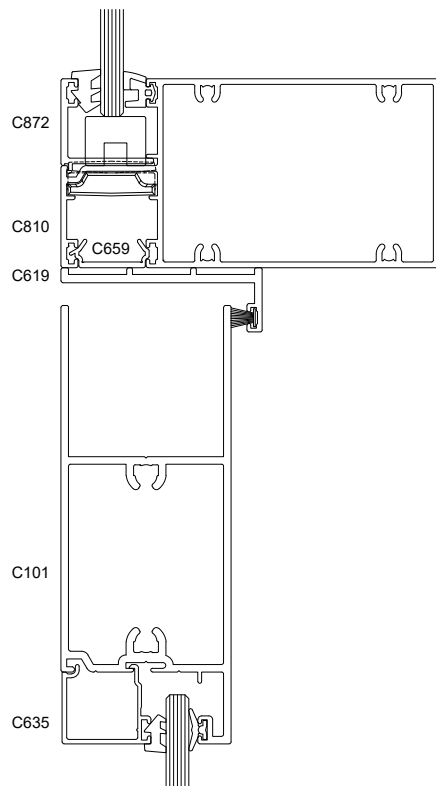
SECTION F-F

## 100mm FRONT GLAZE FIXED GLAZING WINDOW

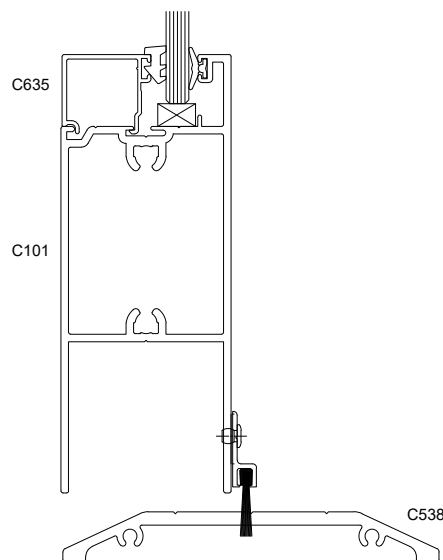
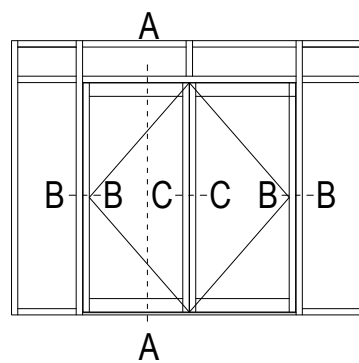
FAIRVIEW SYSTEMS LIMITED SPECIFIERS GUIDE 2014 © TECHNICAL SPECIFICATIONS & PROFILE DETAILS SUBJECT TO CHANGE WITHOUT NOTICE

FAIRVIEW 50 COMMERCIAL FULL SUITE

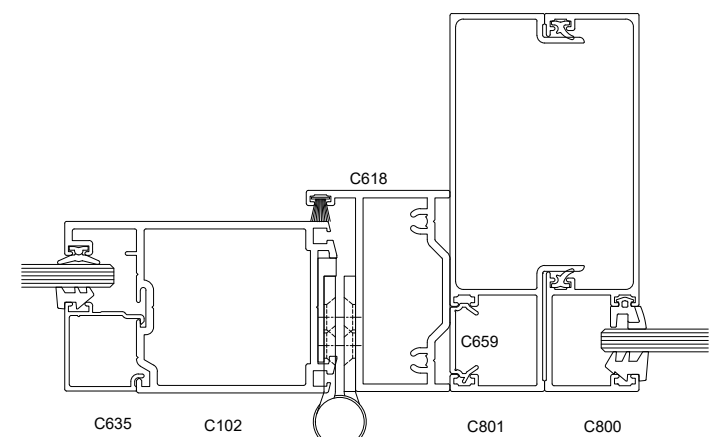
DATE 14.06.2018	SCALE 1:2
REF. FG100.0011	



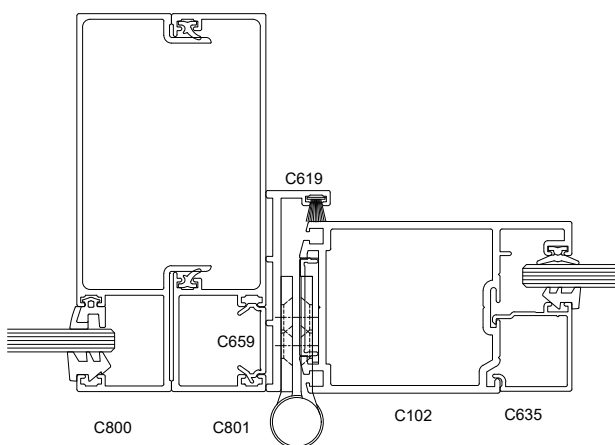
SECTION B-B



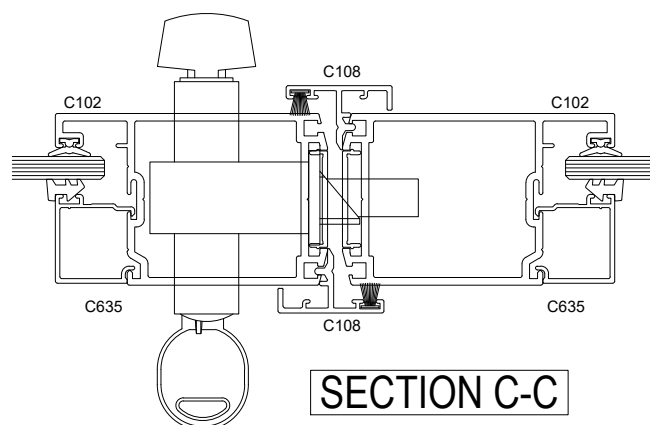
SECTION A-A



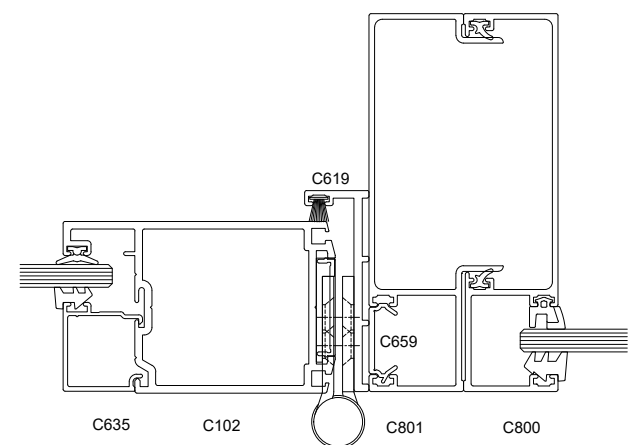
SECTION B-B



SECTION B-B



SECTION C-C



SECTION B-B

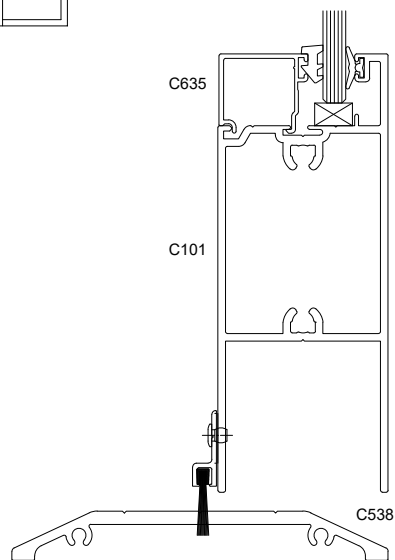
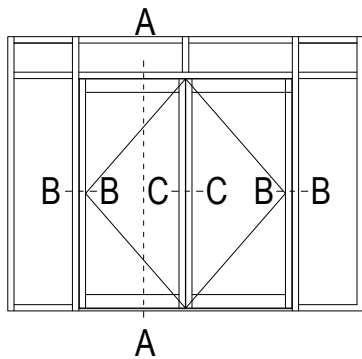
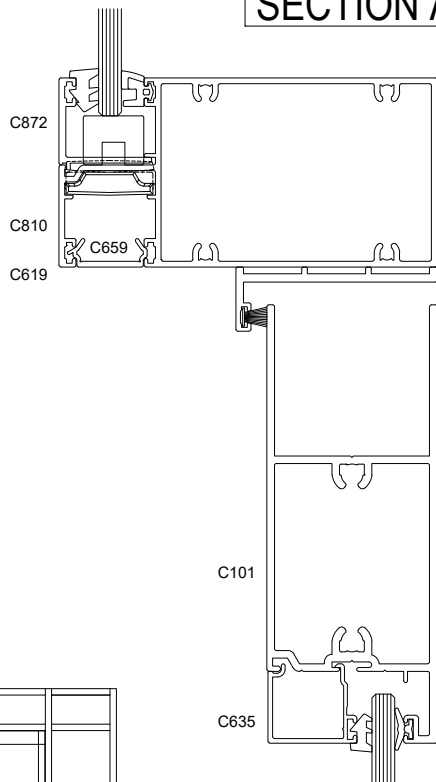
## 100mm FRONT GLAZE HINGED DOOR OPEN OUT

FAIRVIEW SYSTEMS LIMITED SPECIFIERS GUIDE 2014 © TECHNICAL SPECIFICATIONS & PROFILE DETAILS SUBJECT TO CHANGE WITHOUT NOTICE

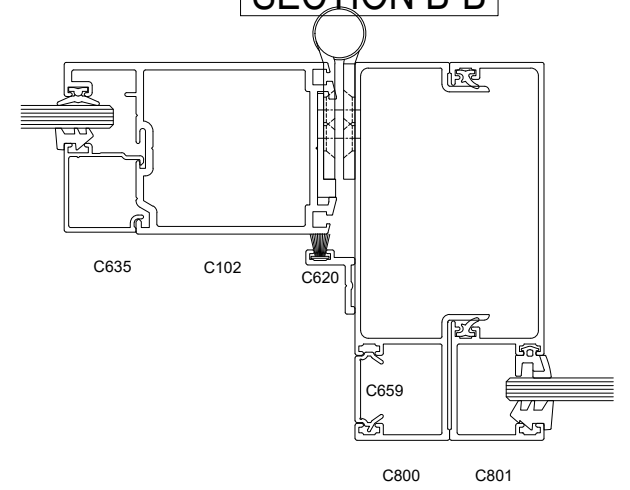
FAIRVIEW 50 COMMERCIAL FULL SUITE

DATE 14.06.2018	SCALE 1:2
REF. FG100.0012	

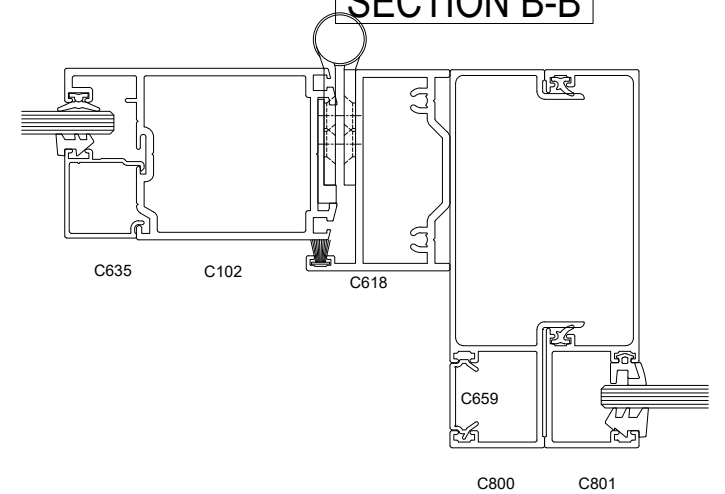
### SECTION A-A



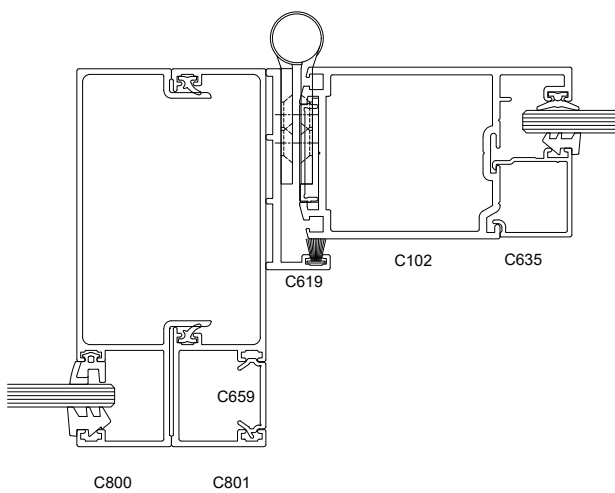
### SECTION B-B



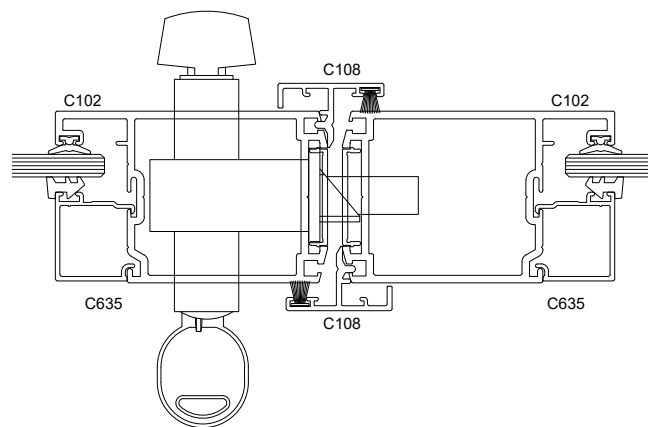
### SECTION B-B



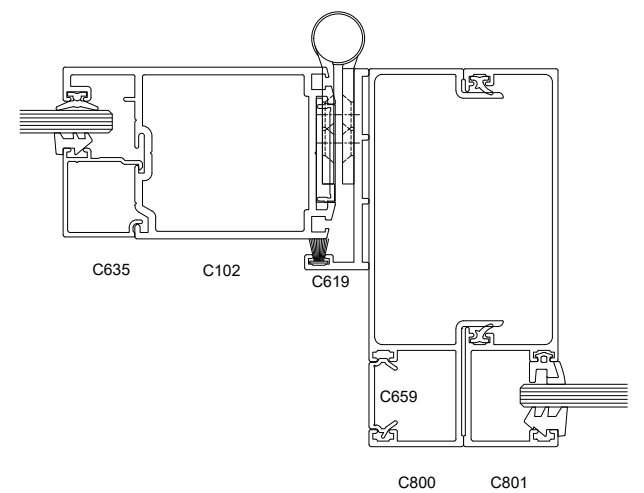
### SECTION B-B



### SECTION C-C



### SECTION B-B

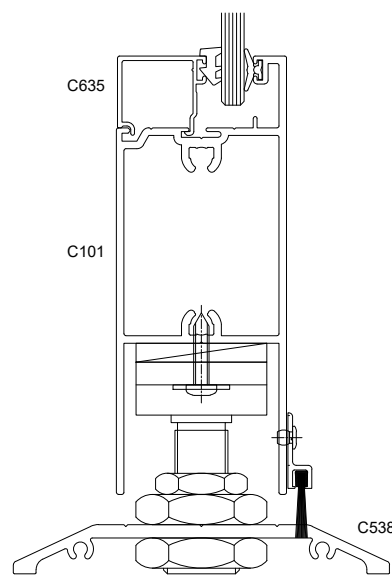
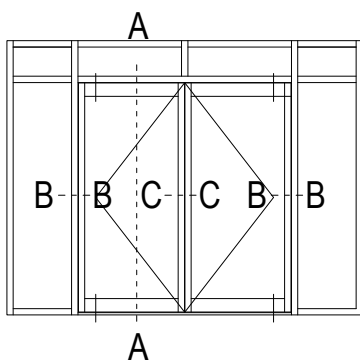
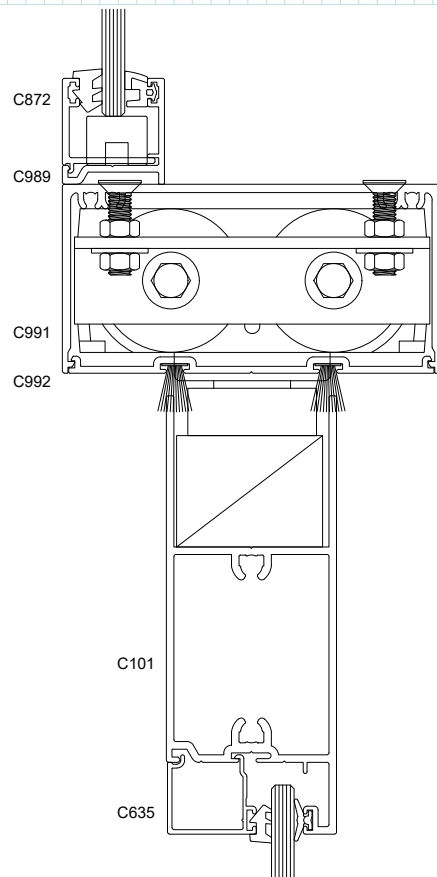


## 100mm FRONT GLAZE HINGED DOOR OPEN IN

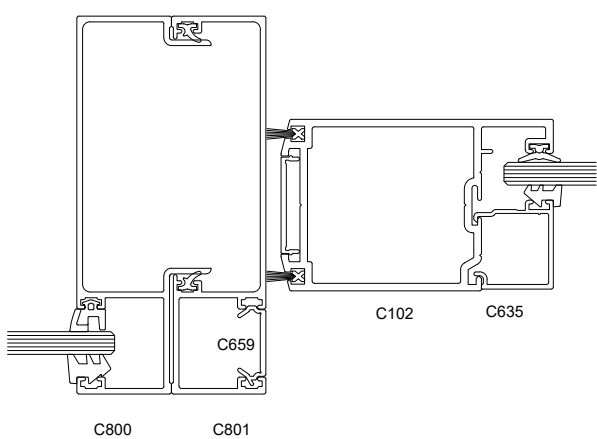
FAIRVIEW SYSTEMS LIMITED SPECIFIERS GUIDE 2014 © TECHNICAL SPECIFICATIONS & PROFILE DETAILS SUBJECT TO CHANGE WITHOUT NOTICE

## FAIRVIEW 50 COMMERCIAL FULL SUITE

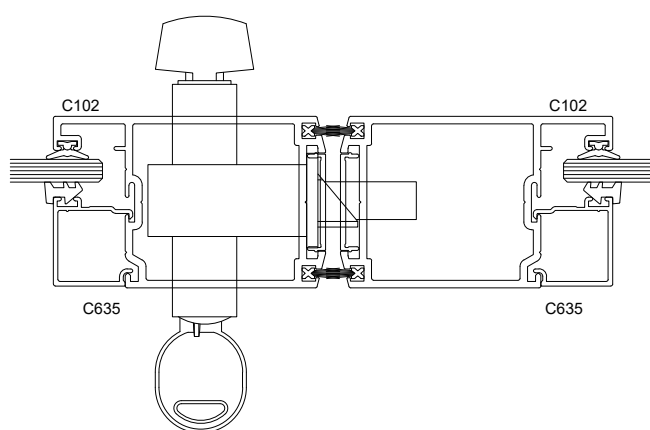
DATE 14.06.2018	SCALE 1:2
REF. FG100.0013	



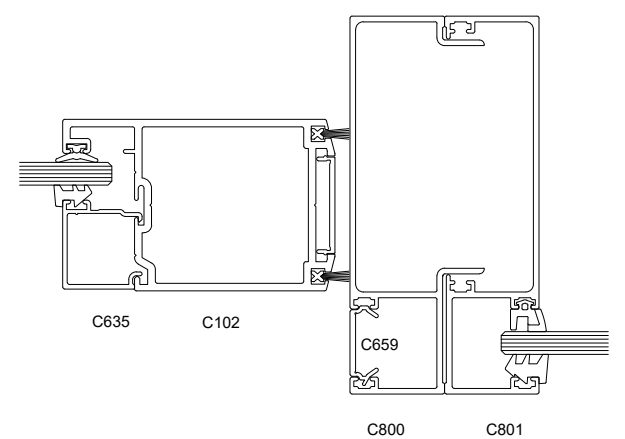
**SECTION A-A**



**SECTION B-B**



**SECTION C-C**



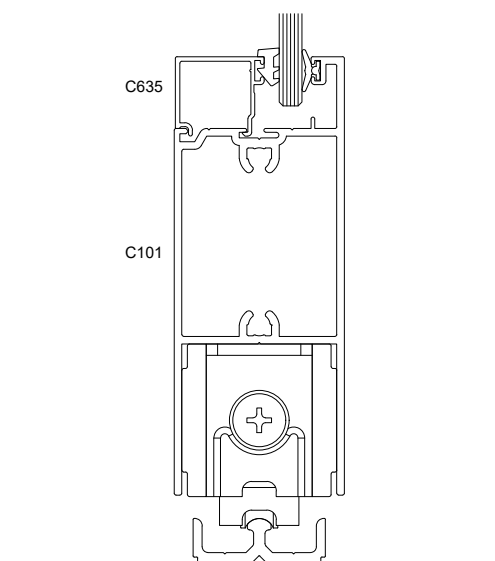
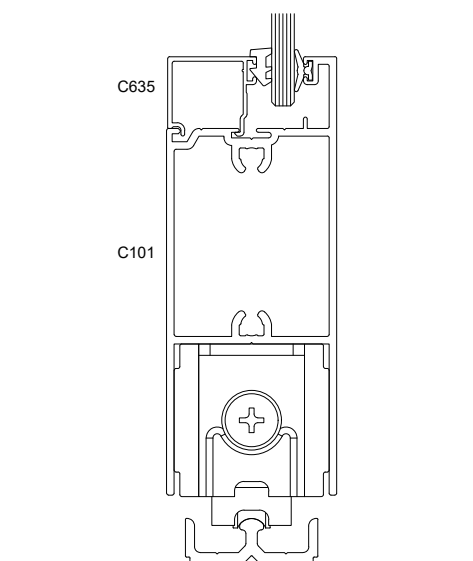
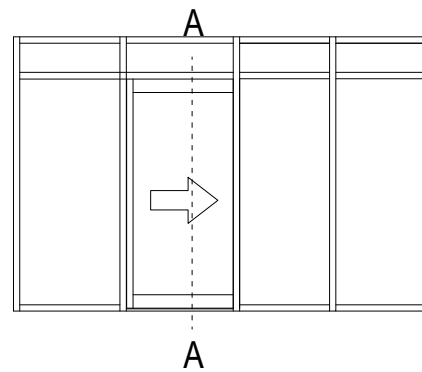
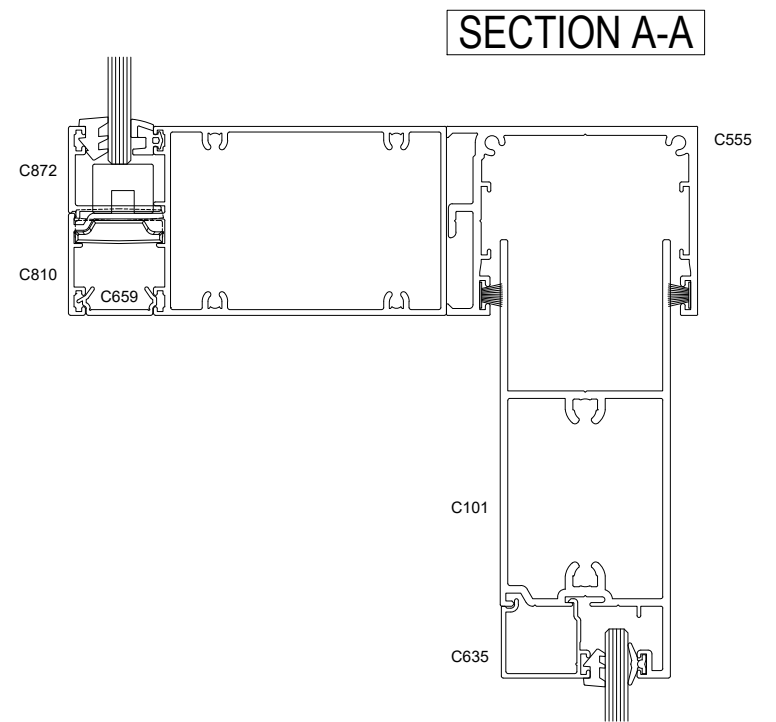
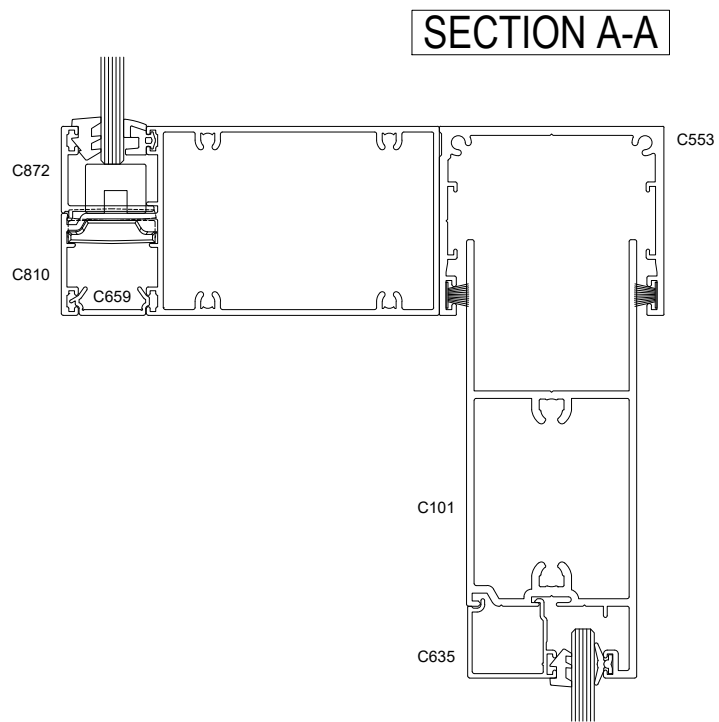
**SECTION B-B**

## 100mm FRONT GLAZE PIVOT DOOR

FAIRVIEW SYSTEMS LIMITED SPECIFIERS GUIDE 2014 © TECHNICAL SPECIFICATIONS & PROFILE DETAILS SUBJECT TO CHANGE WITHOUT NOTICE

**FAIRVIEW 50 COMMERCIAL FULL SUITE**

DATE 14.06.2018	SCALE 1:2
REF. FG100.0014	



**NON-INTERLOCKED**

**INTERLOCKED**

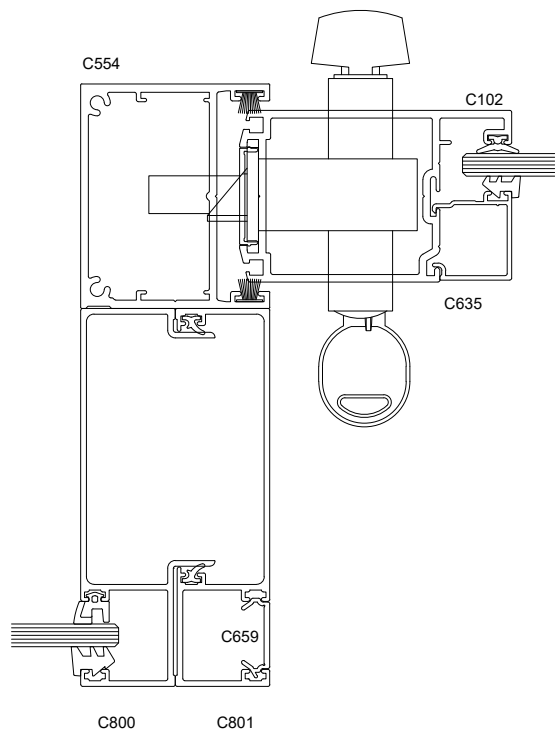
DETAILS SHOWN ARE  
NON-WEATHERED ACCESSIBLE  
SILLS. FOR WEATHERED SILL  
DETAILS PLEASE CONTACT  
FAIRVIEW SYSTEMS LTD.

## 100mm FRONT GLAZE SLIDING DOOR

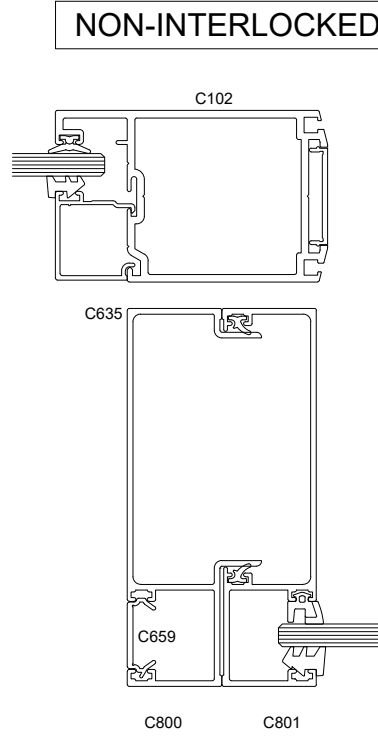
FAIRVIEW SYSTEMS LIMITED SPECIFIERS GUIDE 2014 © TECHNICAL SPECIFICATIONS & PROFILE DETAILS SUBJECT TO CHANGE WITHOUT NOTICE

**FAIRVIEW 50 COMMERCIAL FULL SUITE**

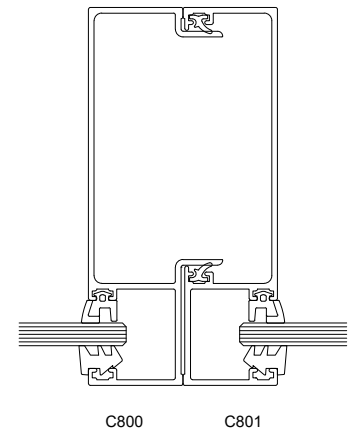
DATE 14.06.2018	SCALE 1:2
REF. FG100.0015	



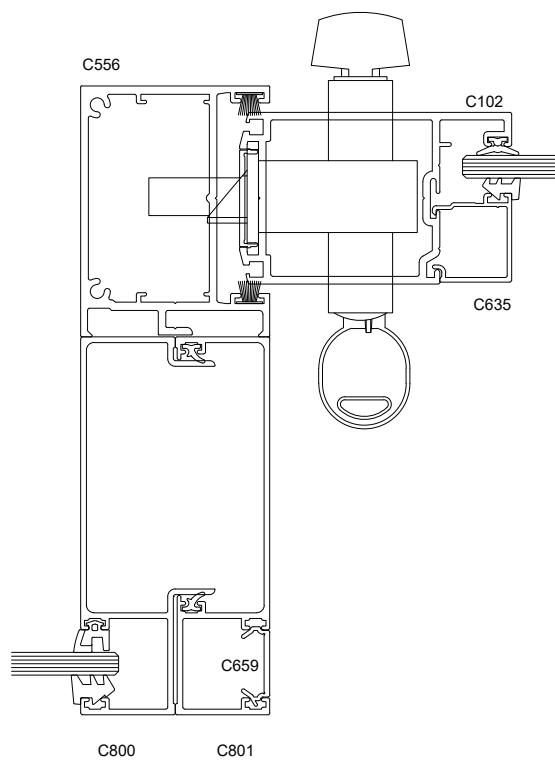
SECTION A-A



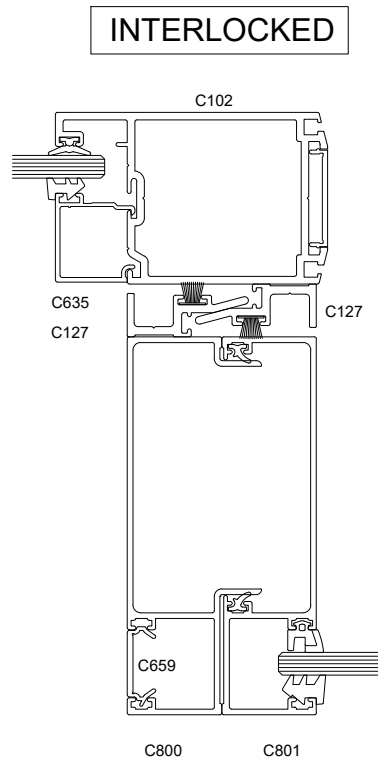
SECTION B-B



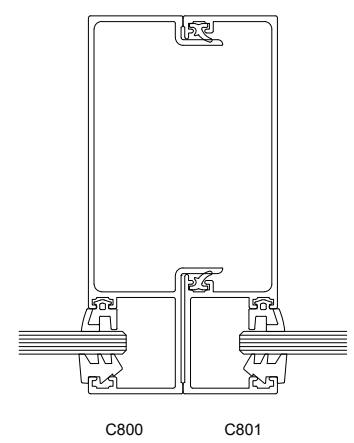
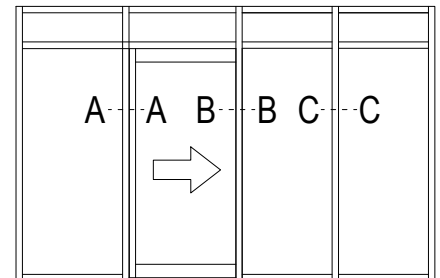
SECTION C-C



SECTION A-A



SECTION B-B



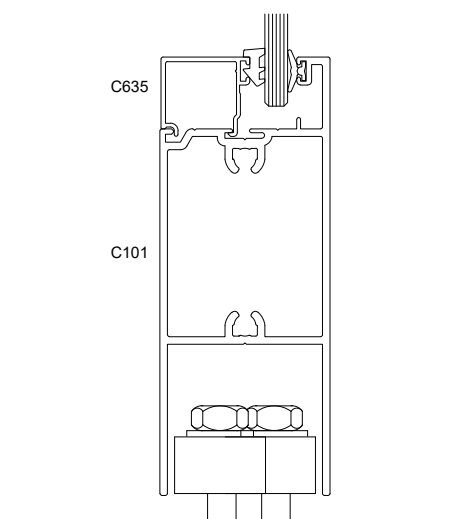
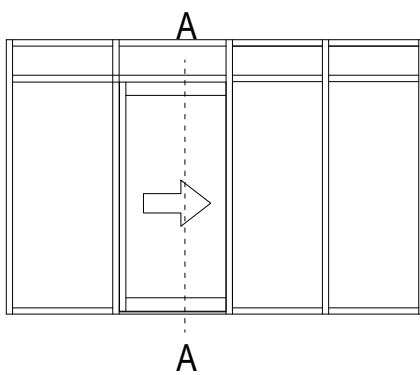
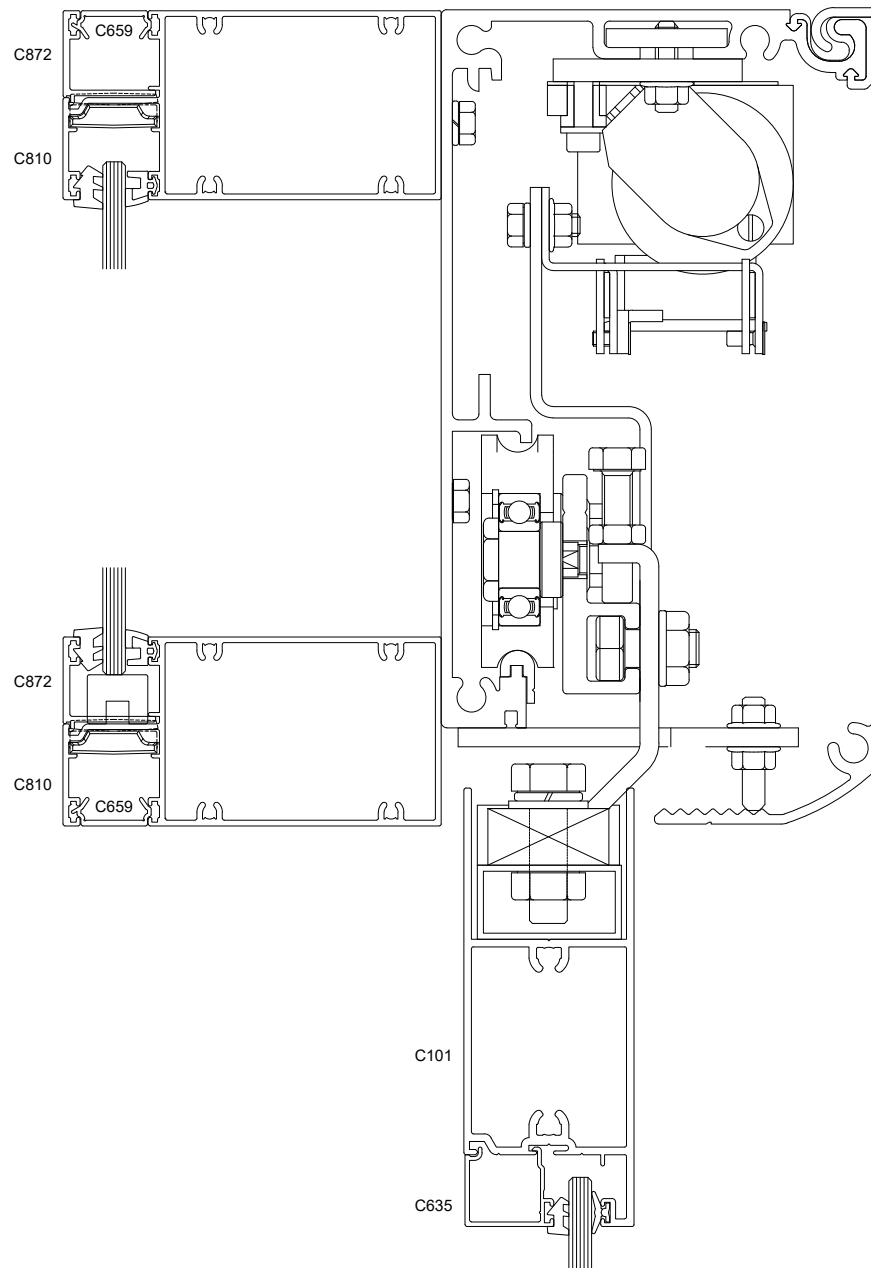
SECTION C-C

**100mm FRONT GLAZE SLIDING DOOR**

FAIRVIEW SYSTEMS LIMITED SPECIFIERS GUIDE 2014 © TECHNICAL SPECIFICATIONS & PROFILE DETAILS SUBJECT TO CHANGE WITHOUT NOTICE

**FAIRVIEW 50 COMMERCIAL FULL SUITE**

DATE 14.06.2018	SCALE 1:2
REF. FG100.0016	



**SECTION A-A**

DETAILS SHOWN ARE  
NON-WEATHERED ACCESSIBLE  
SILLS. FOR WEATHERED SILL  
DETAILS PLEASE CONTACT  
FAIRVIEW SYSTEMS LTD.

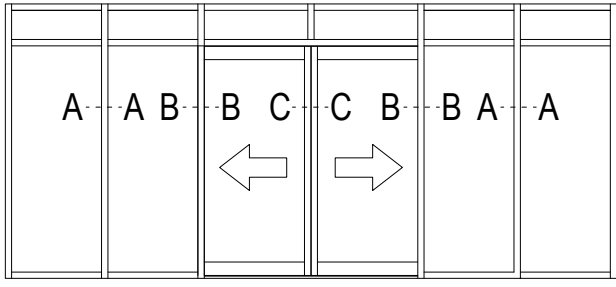
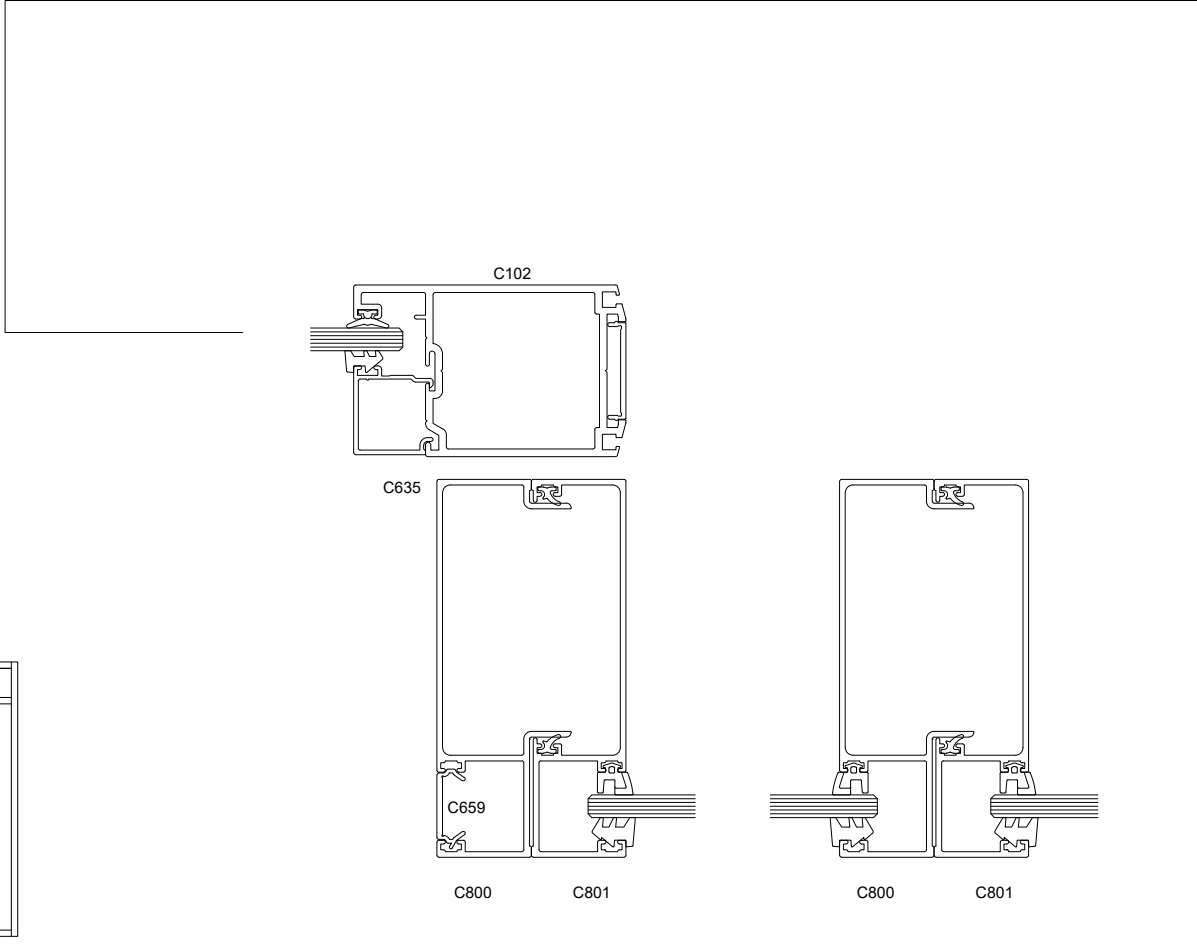
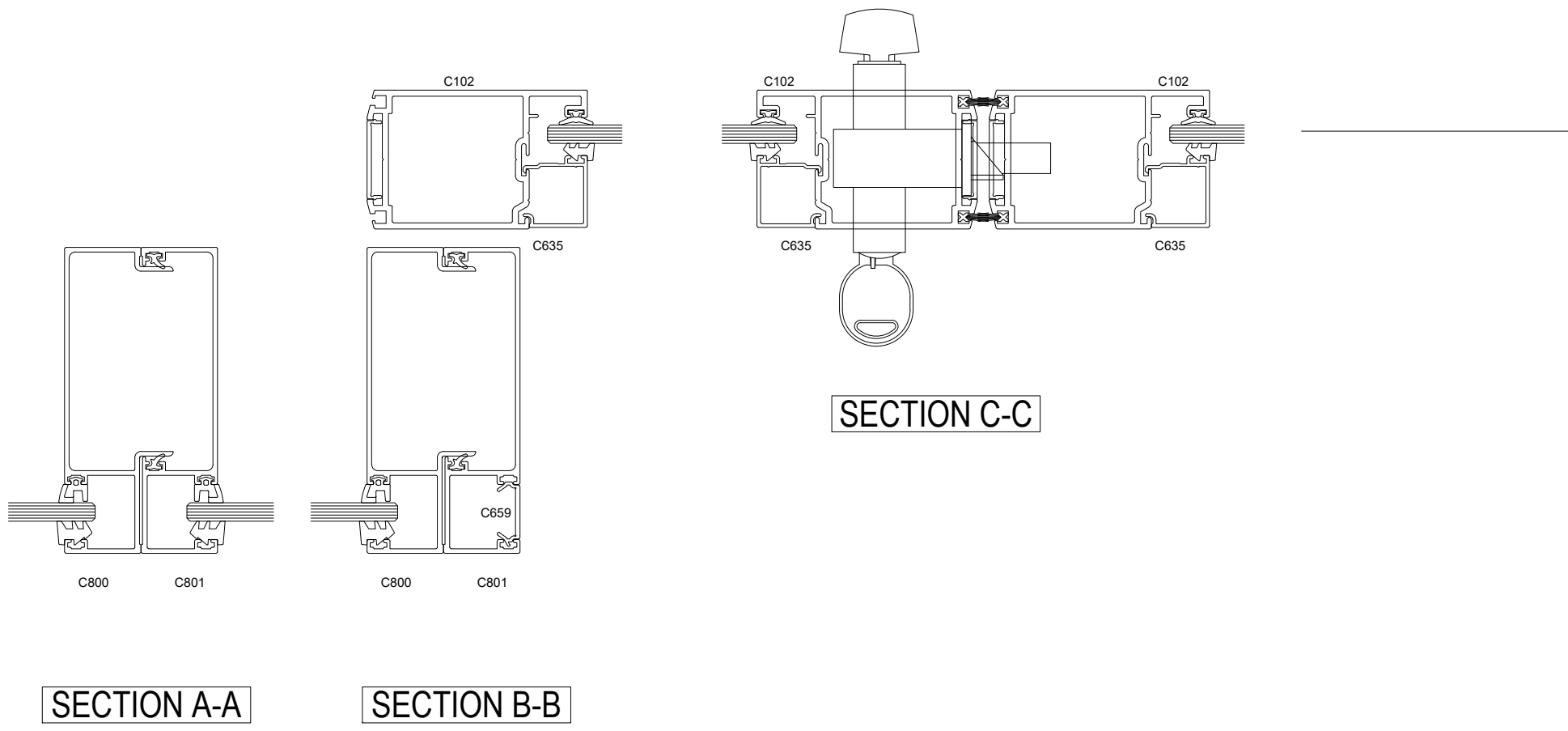
## 100mm FRONT GLAZE AUTO SLIDING DOOR

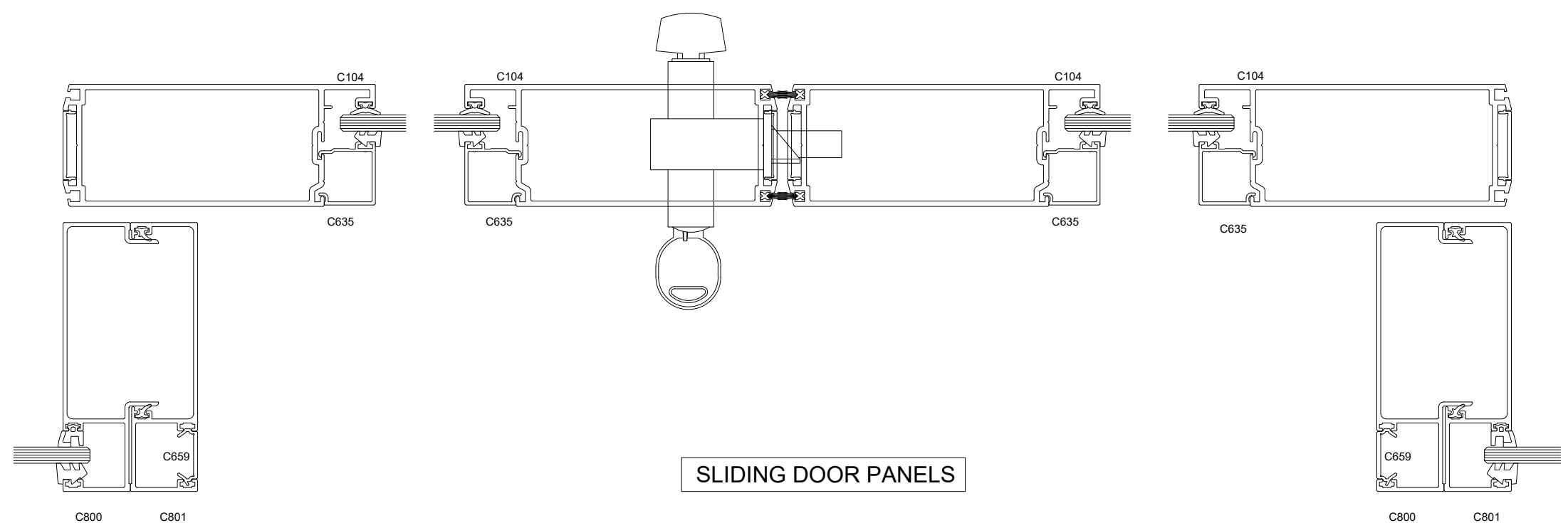
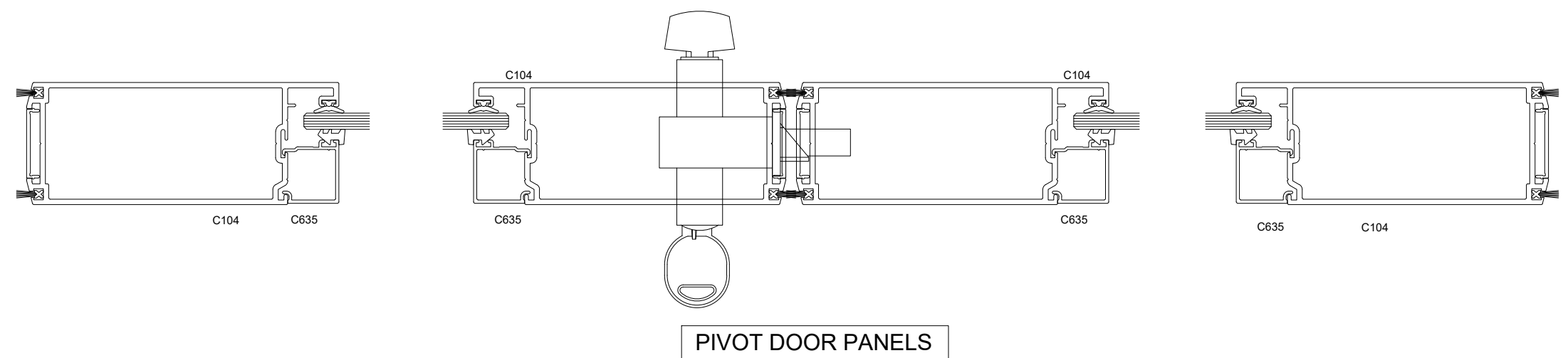
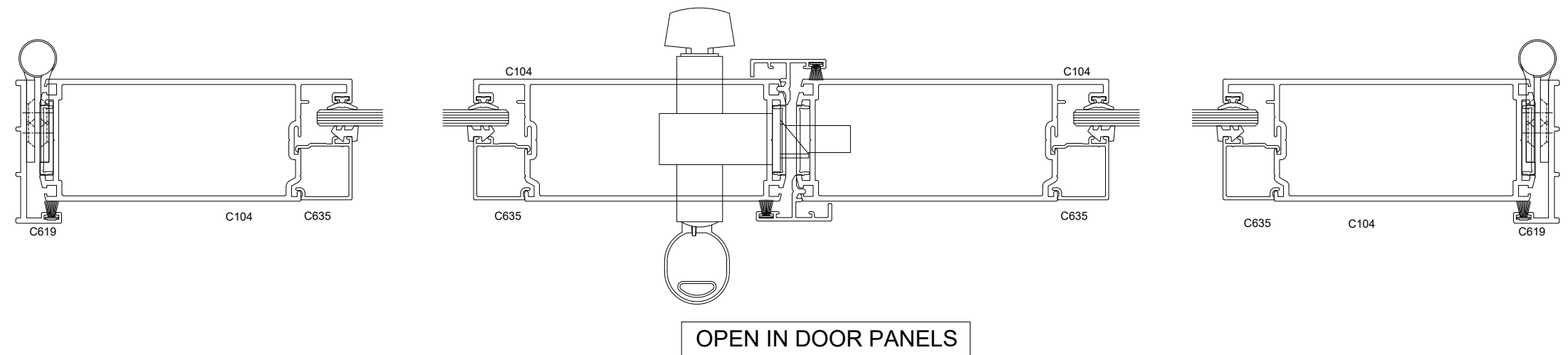
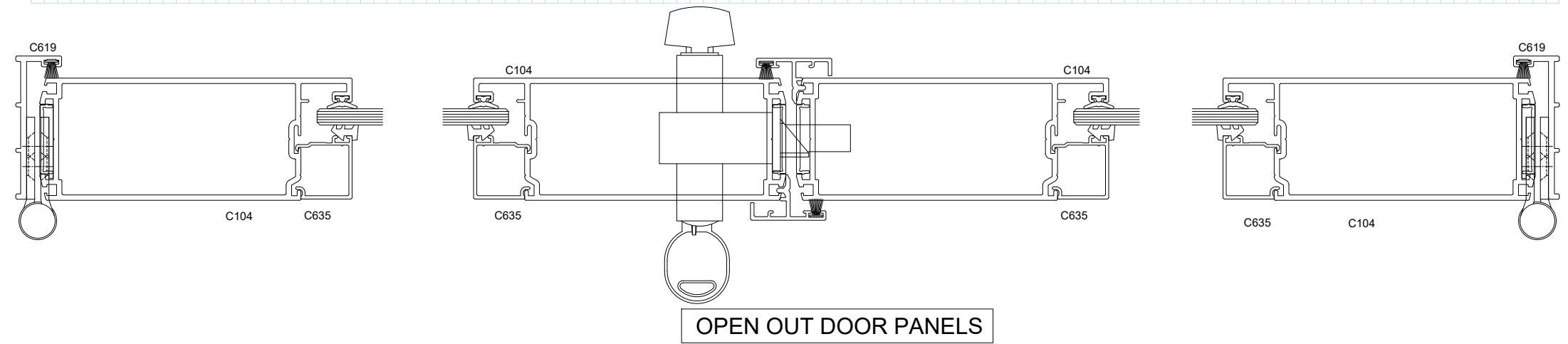
FAIRVIEW SYSTEMS LIMITED SPECIFIERS GUIDE 2014 © TECHNICAL SPECIFICATIONS & PROFILE DETAILS SUBJECT TO CHANGE WITHOUT NOTICE

**FAIRVIEW 50 COMMERCIAL FULL SUITE**

DATE 14.06.2018	SCALE 1:2
REF. FG100.0017	





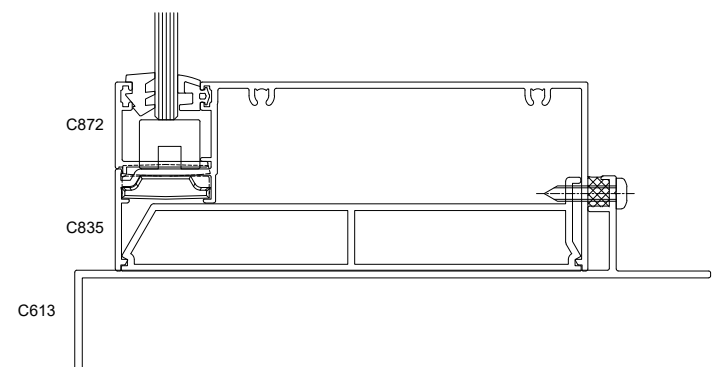
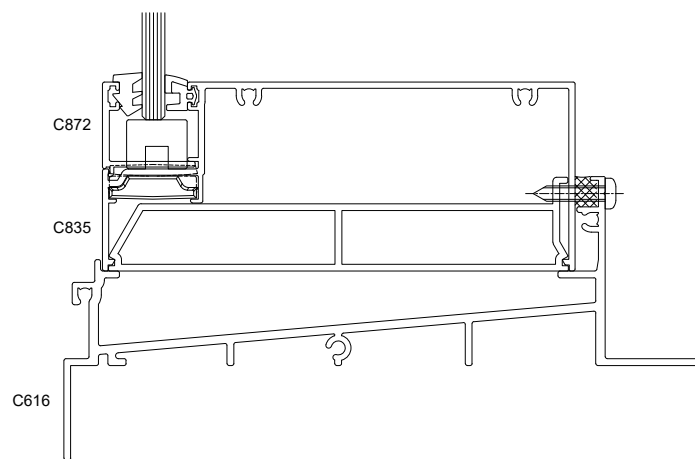
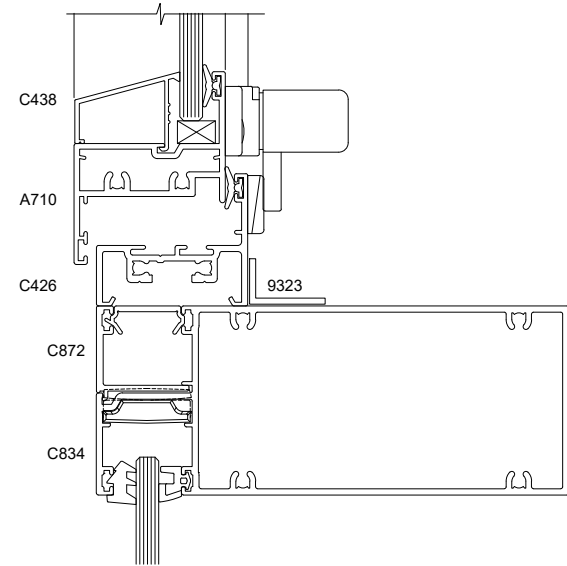
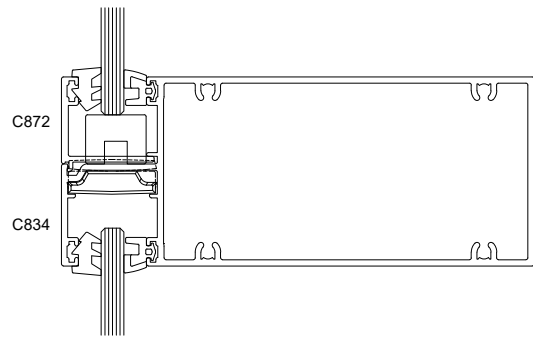
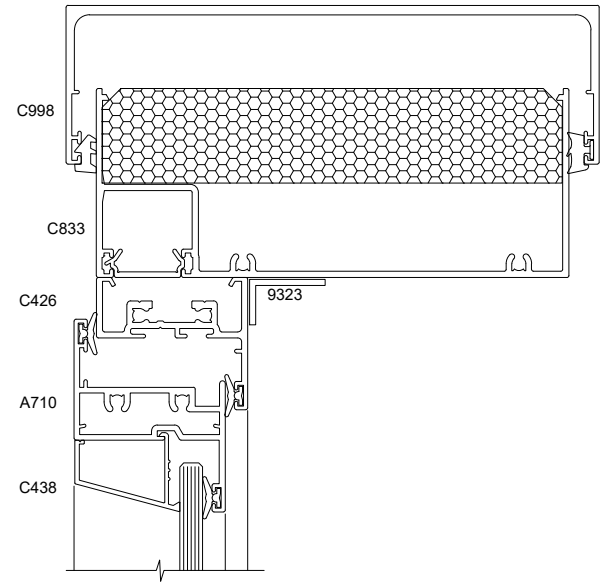
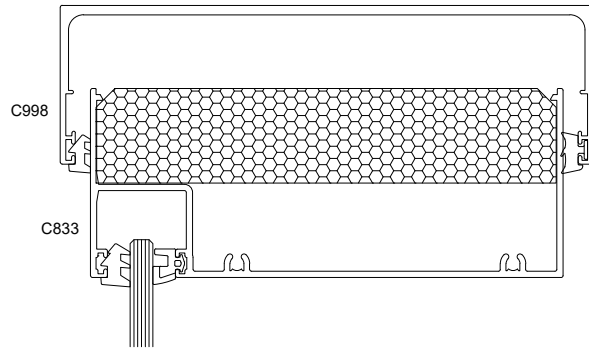
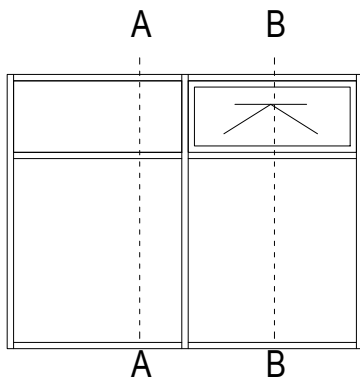


## 100mm FRONT GLAZE WIDE DOOR STILES

FAIRVIEW SYSTEMS LIMITED SPECIFIERS GUIDE 2014 © TECHNICAL SPECIFICATIONS & PROFILE DETAILS SUBJECT TO CHANGE WITHOUT NOTICE

**FAIRVIEW 50 COMMERCIAL FULL SUITE**

DATE 14.06.2018	SCALE 1:2
REF. FG100.0019	



ALTERNATIVE SILL

SECTION A-A

SECTION B-B

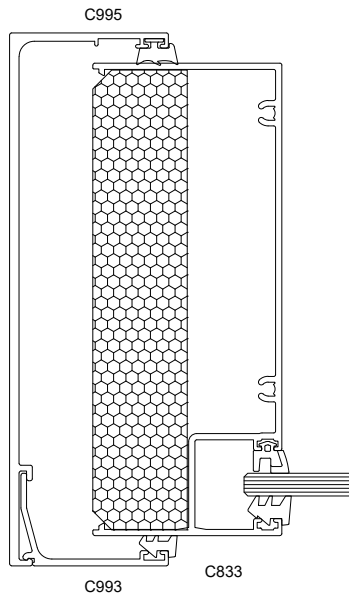
## 125mm FRONT GLAZE FIXED GLAZING WINDOW

FAIRVIEW SYSTEMS LIMITED SPECIFIERS GUIDE 2014 © TECHNICAL SPECIFICATIONS & PROFILE DETAILS SUBJECT TO CHANGE WITHOUT NOTICE

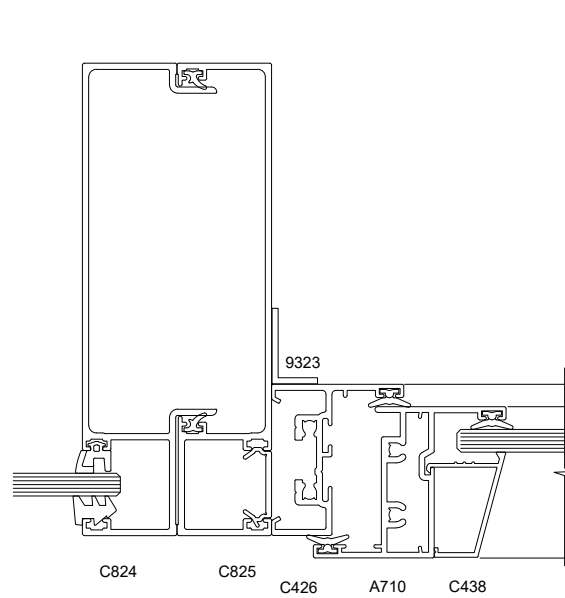
FAIRVIEW 50 COMMERCIAL FULL SUITE

DATE 14.06.2018	SCALE 1:2
REF. FG125.0020	

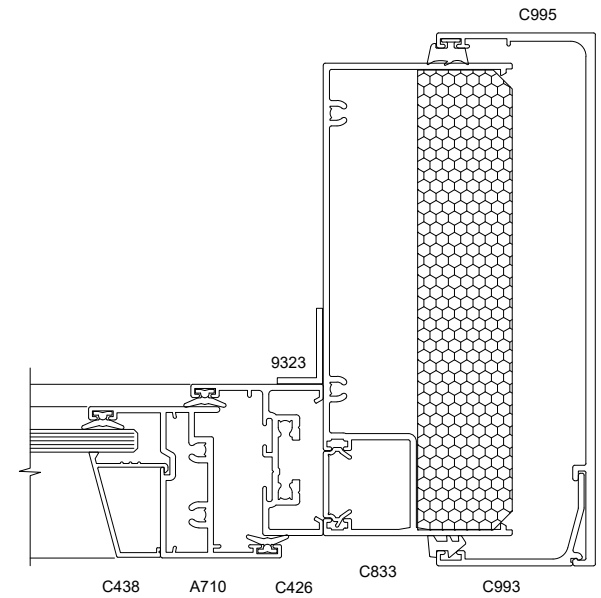
SECTION A-A



SECTION B-B

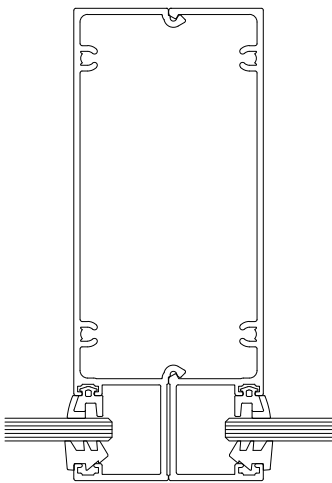


SECTION C-C



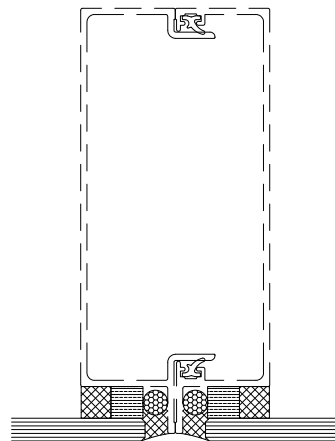
PROFILES SHOWN IN DASHED LINES ARE SUBJECT TO SPECIAL ORDER ONLY, CONSULT FAIRVIEW SYSTEMS FOR INFO

C828 C829



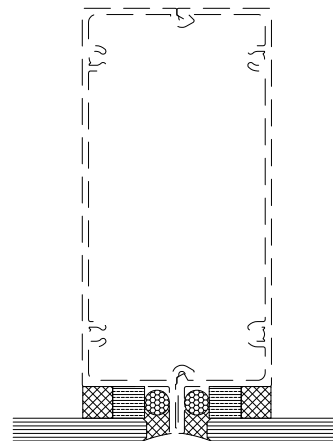
SECTION D-D

C826 C827



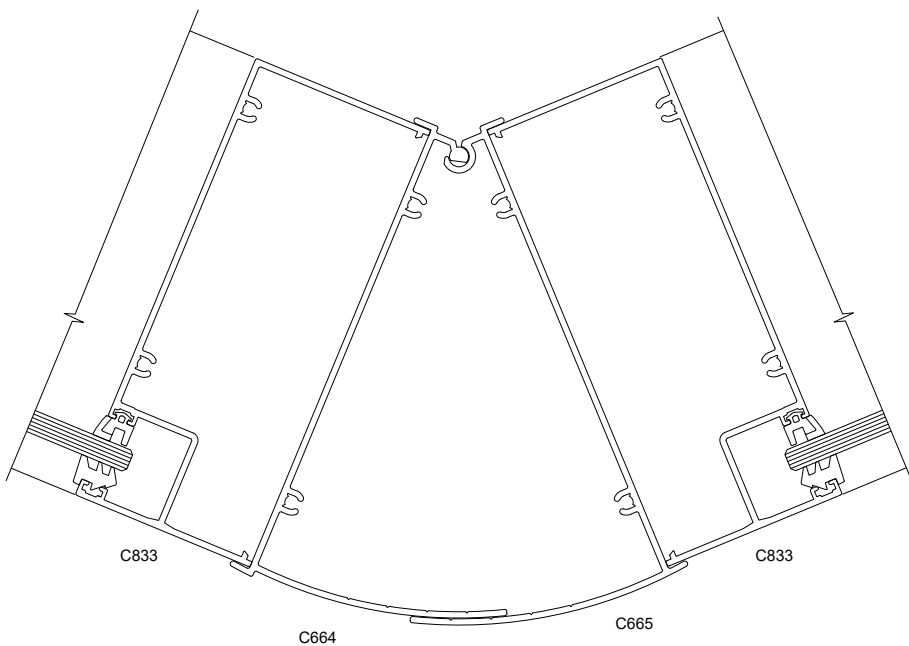
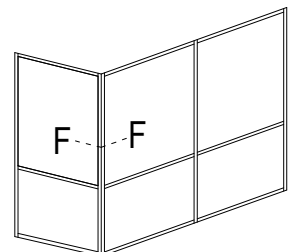
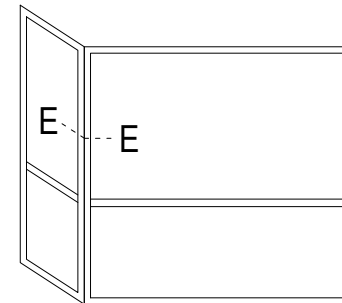
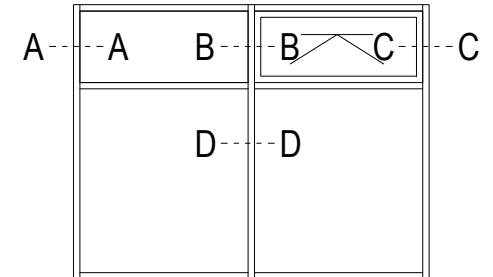
SECTION D-D

C830 C831

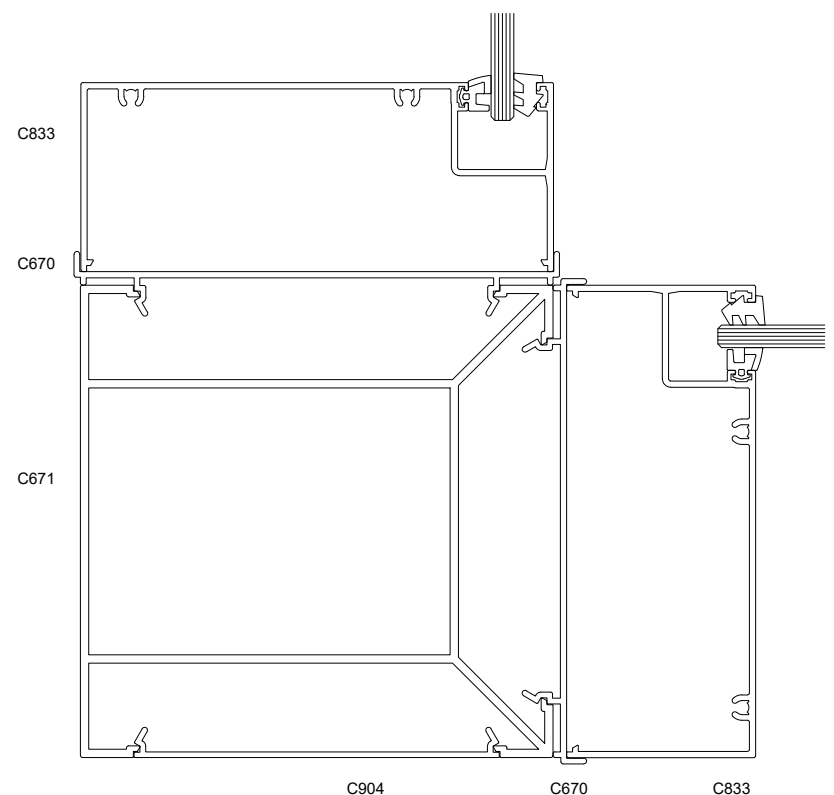


SECTION D-D

ALTERNATIVE MULLIONS



SECTION E-E



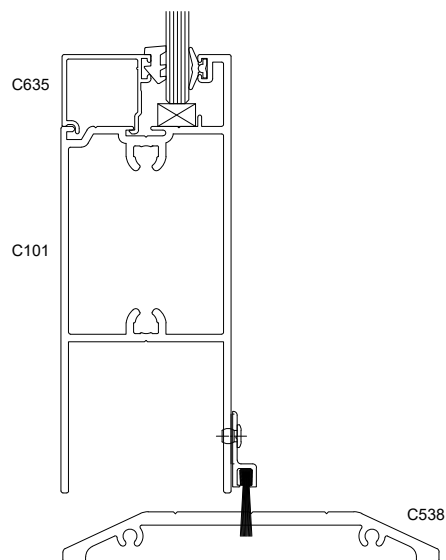
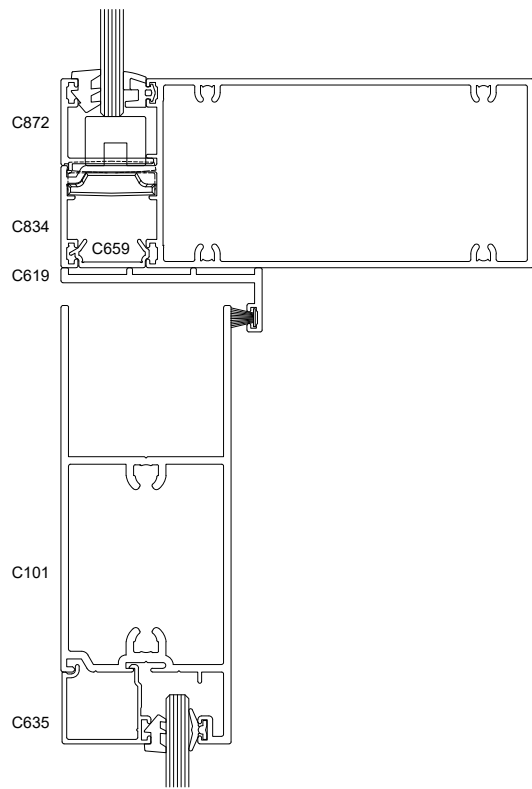
SECTION F-F

## 125mm FRONT GLAZE FIXED GLAZING WINDOW

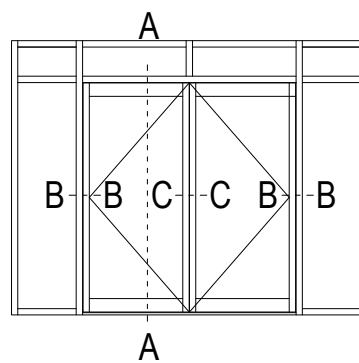
FAIRVIEW SYSTEMS LIMITED SPECIFIERS GUIDE 2014 © TECHNICAL SPECIFICATIONS & PROFILE DETAILS SUBJECT TO CHANGE WITHOUT NOTICE

FAIRVIEW 50 COMMERCIAL FULL SUITE

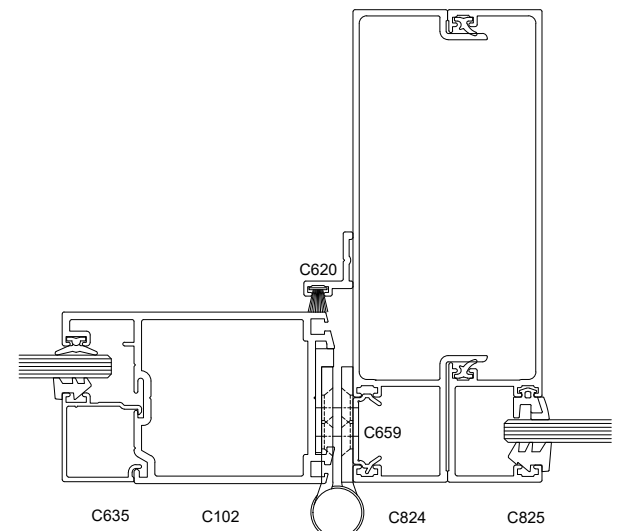
DATE 14.06.2018	SCALE 1:2
REF. FG125.0021	



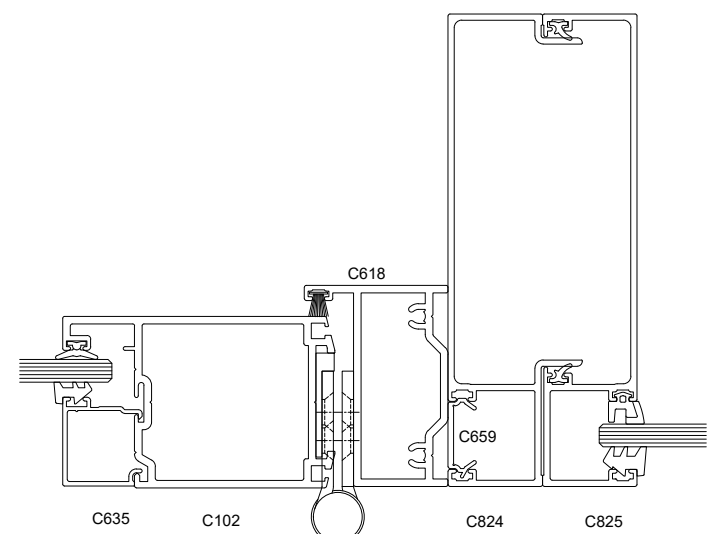
**SECTION A-A**



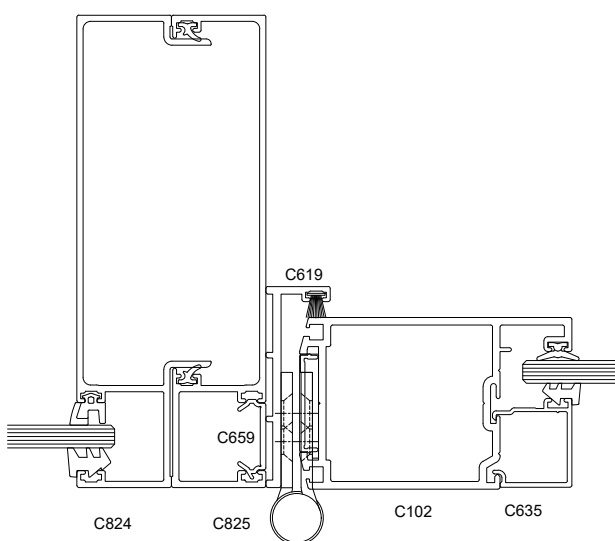
DETAILS SHOWN ARE  
NON-WEATHERED ACCESSIBLE  
SILLS. FOR WEATHERED SILL  
DETAILS PLEASE CONTACT  
FAIRVIEW SYSTEMS LTD.



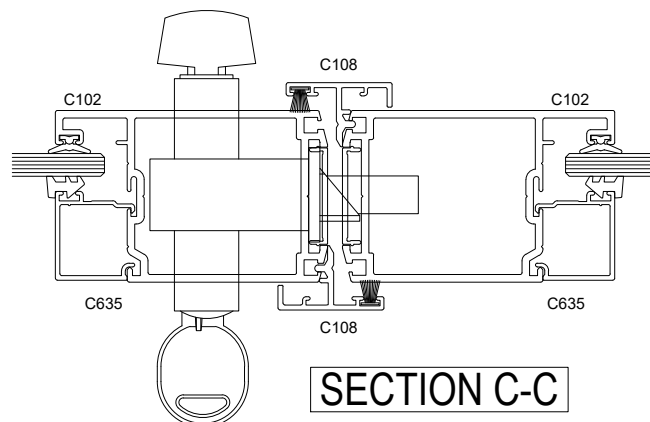
**SECTION B-B**



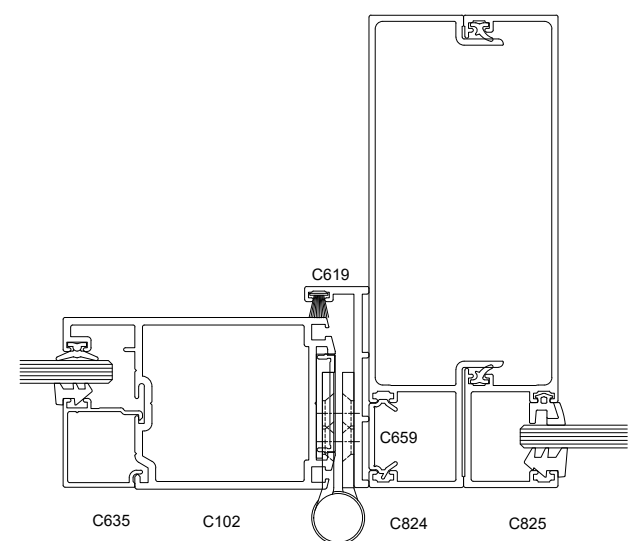
**SECTION B-B**



**SECTION B-B**



**SECTION C-C**



**SECTION B-B**

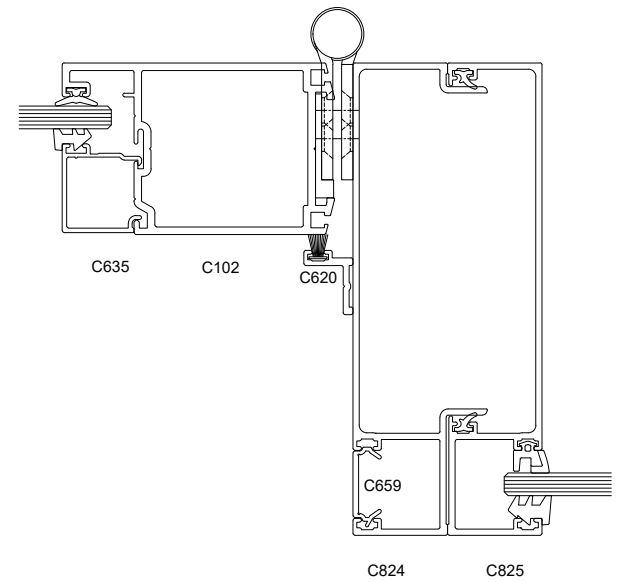
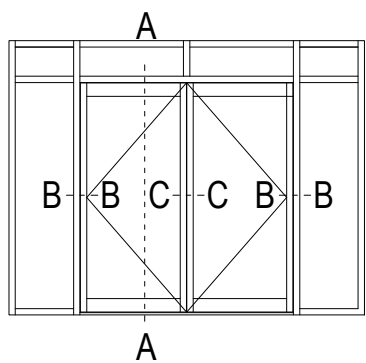
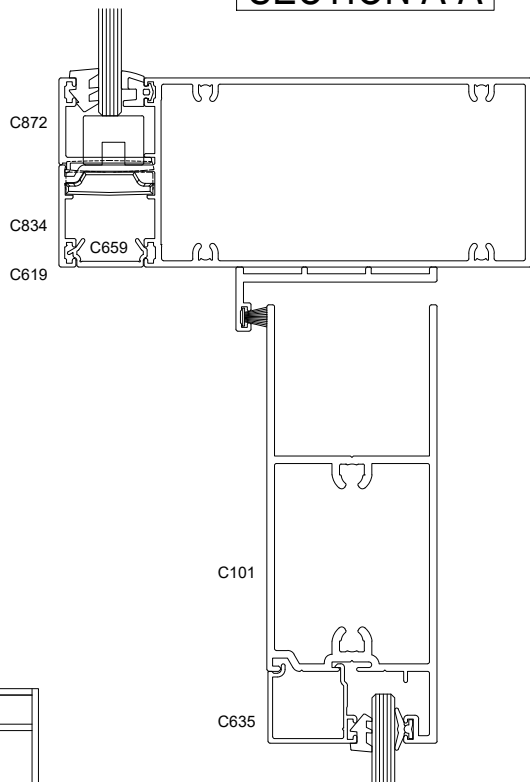
## 125mm FRONT GLAZE HINGED DOOR OPEN OUT

FAIRVIEW SYSTEMS LIMITED SPECIFIERS GUIDE 2014 © TECHNICAL SPECIFICATIONS & PROFILE DETAILS SUBJECT TO CHANGE WITHOUT NOTICE

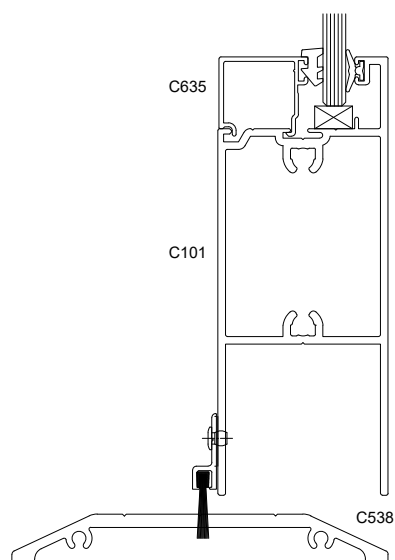
**FAIRVIEW 50 COMMERCIAL FULL SUITE**

DATE 14.06.2018	SCALE 1:2
REF. FG125.0022	

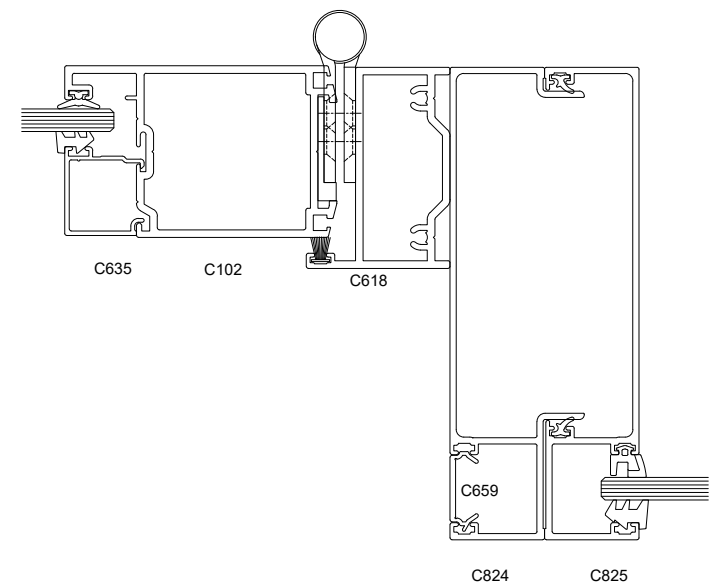
### SECTION A-A



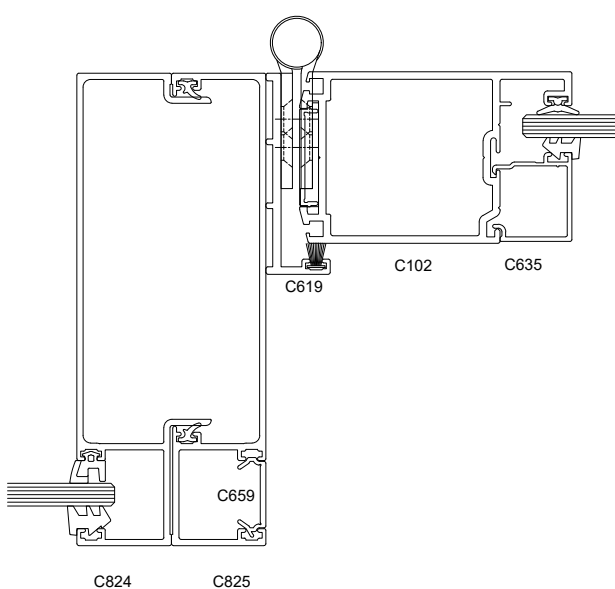
### SECTION B-B



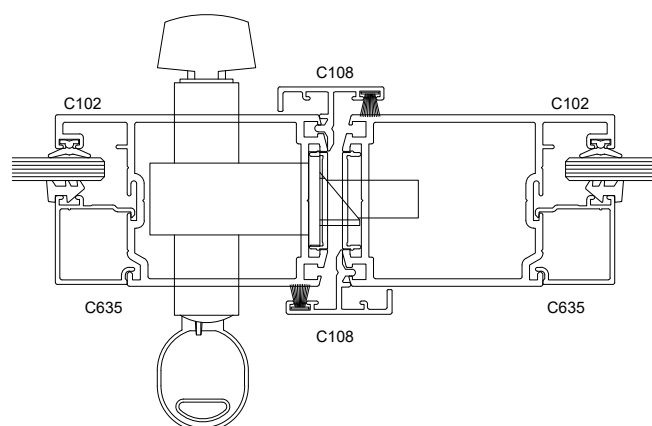
DETAILS SHOWN ARE  
NON-WEATHERED ACCESSIBLE  
SILLS. FOR WEATHERED SILL  
DETAILS PLEASE CONTACT  
FAIRVIEW SYSTEMS LTD.



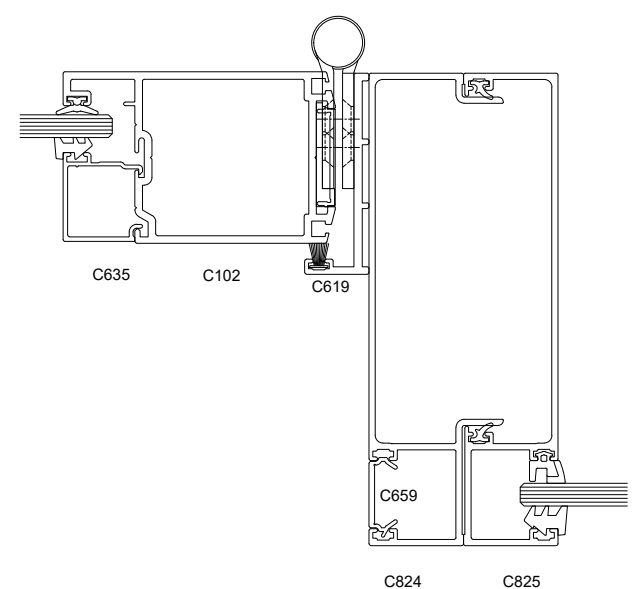
### SECTION B-B



### SECTION B-B



### SECTION C-C



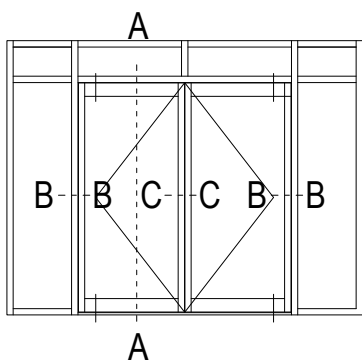
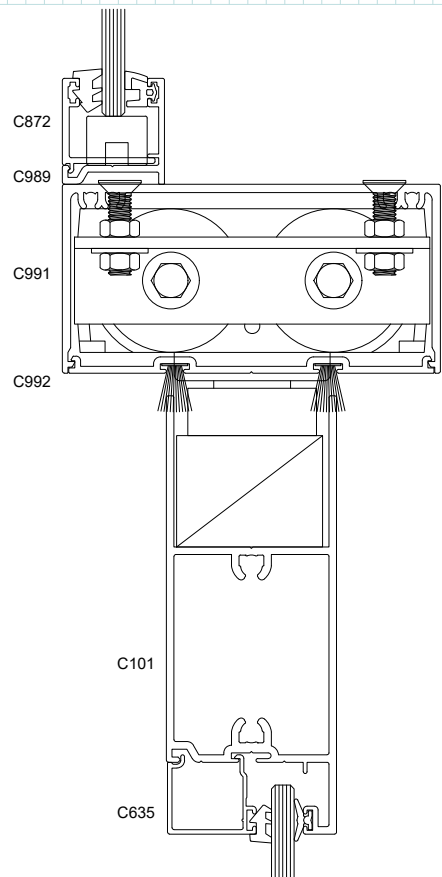
### SECTION B-B

## 125mm FRONT GLAZE HINGED DOOR OPEN IN

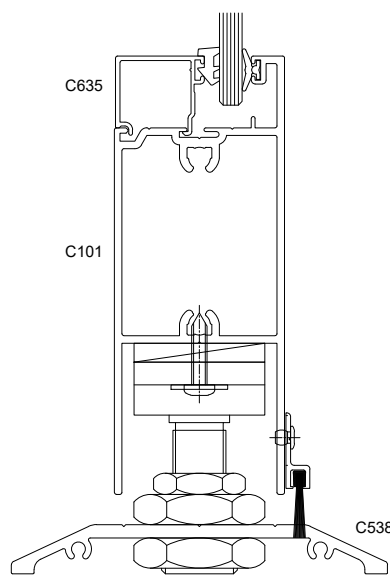
FAIRVIEW SYSTEMS LIMITED SPECIFIERS GUIDE 2014 © TECHNICAL SPECIFICATIONS & PROFILE DETAILS SUBJECT TO CHANGE WITHOUT NOTICE

# FAIRVIEW 50 COMMERCIAL FULL SUITE

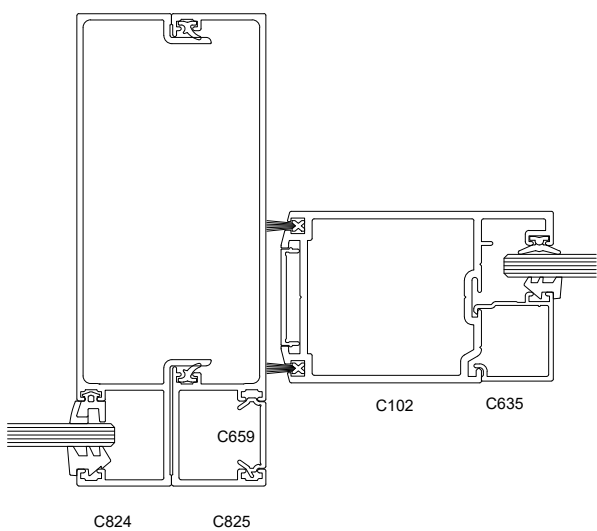
DATE 14.06.2018	SCALE 1:2
REF. FG125.0023	



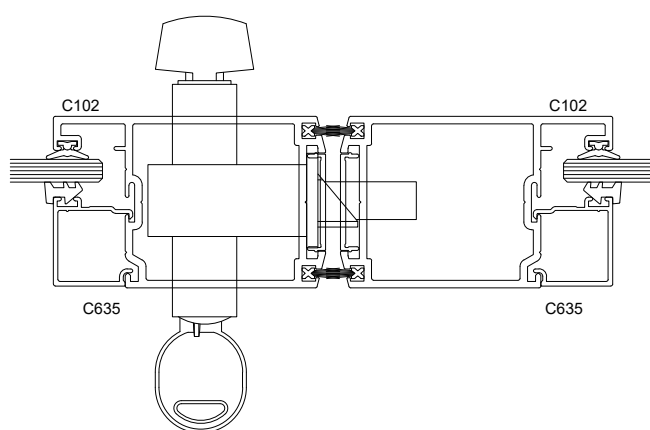
DETAILS SHOWN ARE  
NON-WEATHERED ACCESSIBLE  
SILLS. FOR WEATHERED SILL  
DETAILS PLEASE CONTACT  
FAIRVIEW SYSTEMS LTD.



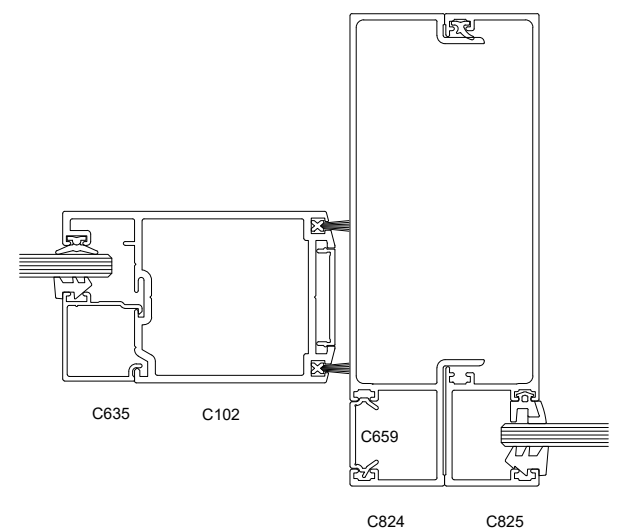
**SECTION A-A**



**SECTION B-B**



**SECTION C-C**



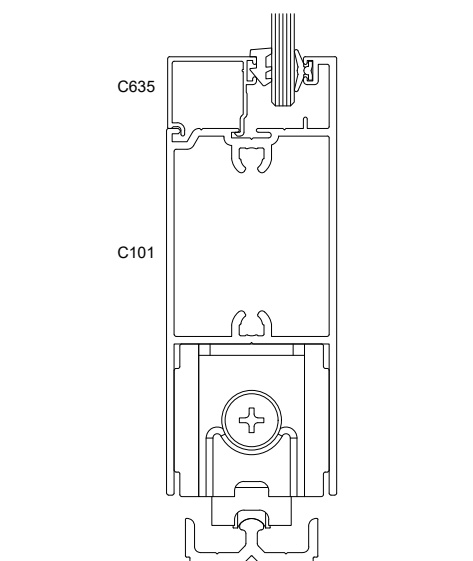
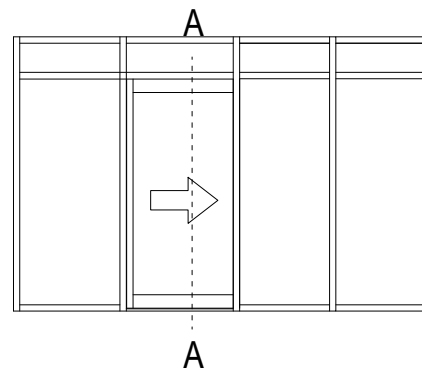
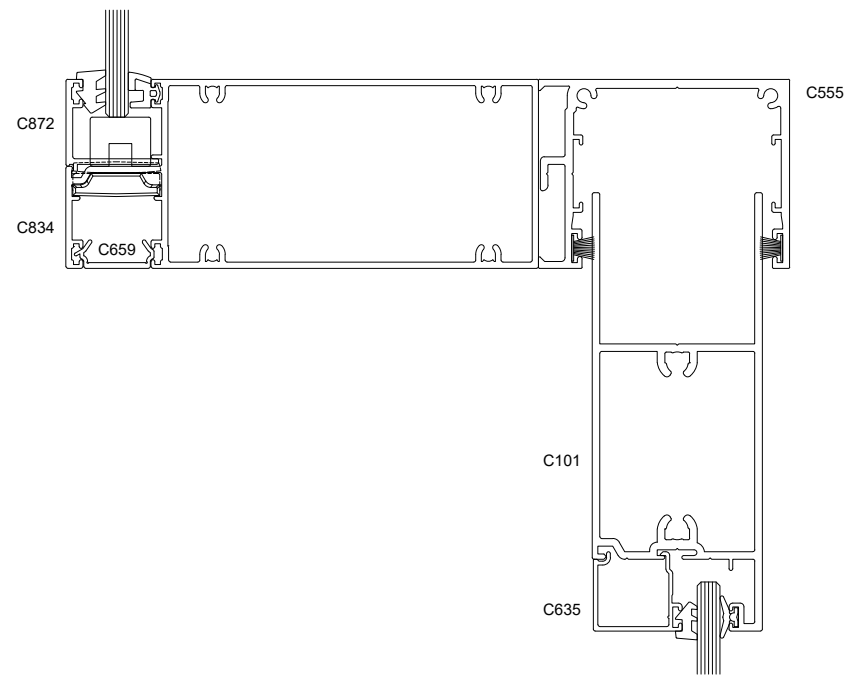
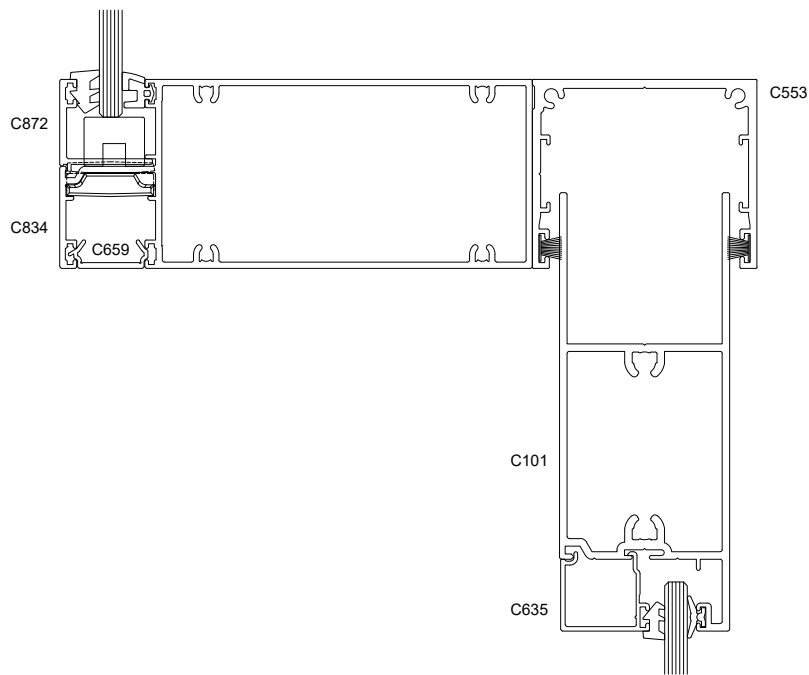
**SECTION B-B**

## 125mm FRONT GLAZE PIVOT DOOR

FAIRVIEW SYSTEMS LIMITED SPECIFIERS GUIDE 2014 © TECHNICAL SPECIFICATIONS & PROFILE DETAILS SUBJECT TO CHANGE WITHOUT NOTICE

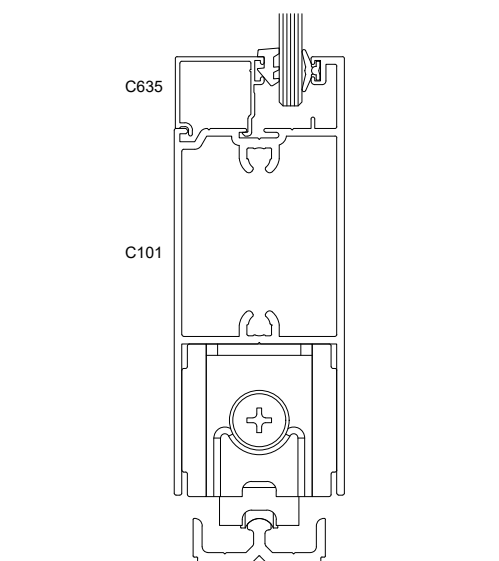
**FAIRVIEW 50 COMMERCIAL FULL SUITE**

DATE 14.06.2018	SCALE 1:2
REF. FG125.0024	



**SECTION A-A**

**NON-INTERLOCKED**



**SECTION A-A**

**INTERLOCKED**

DETAILS SHOWN ARE  
NON-WEATHERED ACCESSIBLE  
SILLS. FOR WEATHERED SILL  
DETAILS PLEASE CONTACT  
FAIRVIEW SYSTEMS LTD.

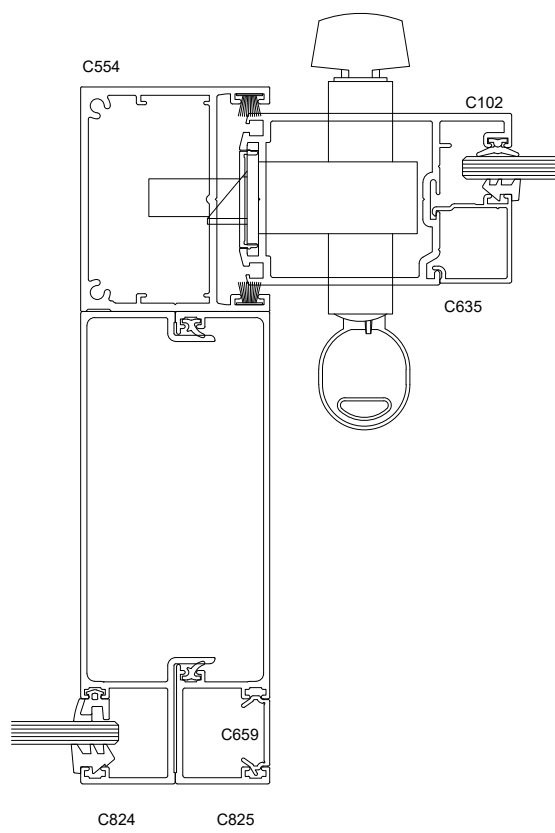
## 125mm FRONT GLAZE SLIDING DOOR

FAIRVIEW SYSTEMS LIMITED SPECIFIERS GUIDE 2014 © TECHNICAL SPECIFICATIONS & PROFILE DETAILS SUBJECT TO CHANGE WITHOUT NOTICE

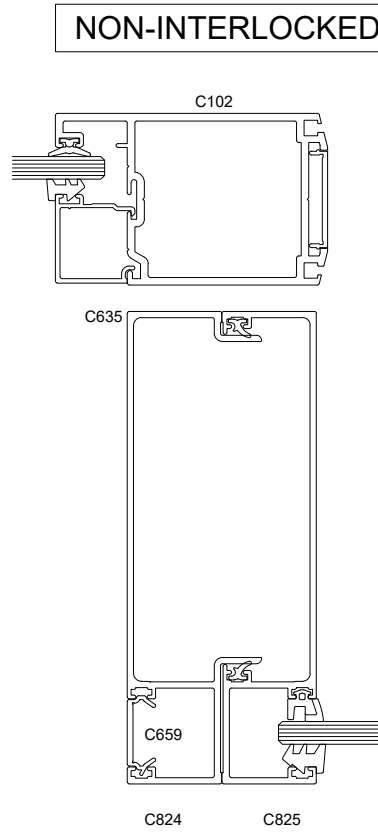
**FAIRVIEW 50 COMMERCIAL FULL SUITE**

DATE 14.06.2018	SCALE 1:2
REF. FG125.0025	

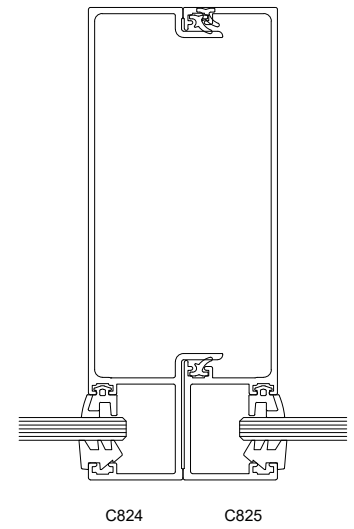




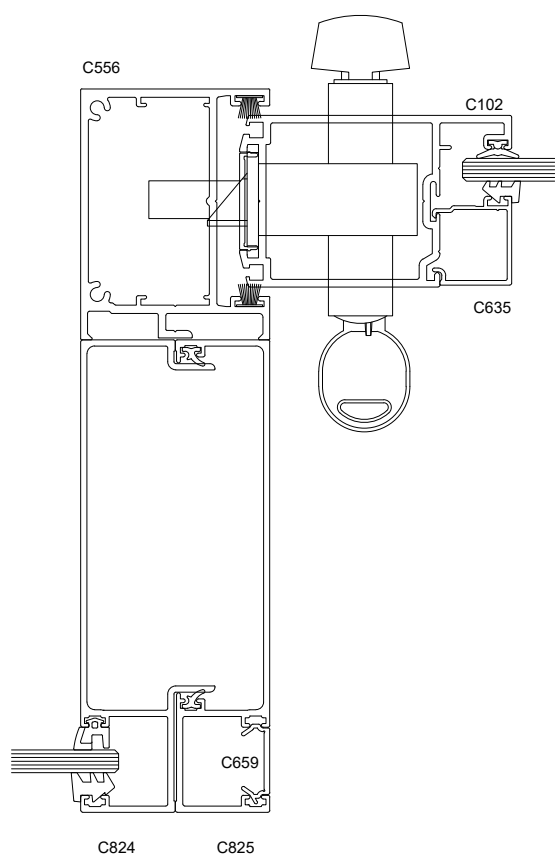
SECTION A-A



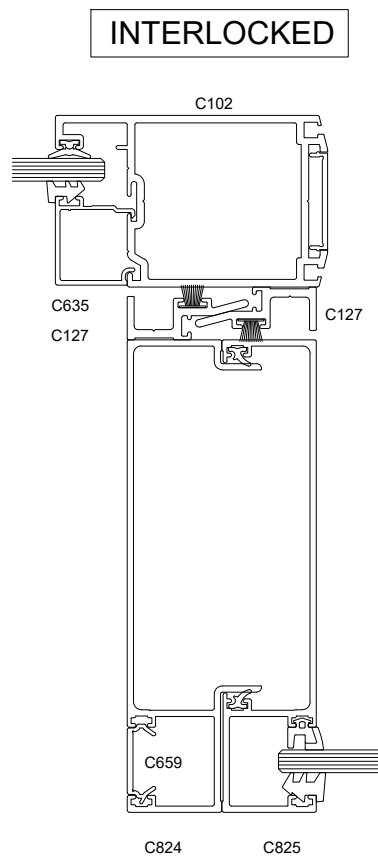
SECTION B-B



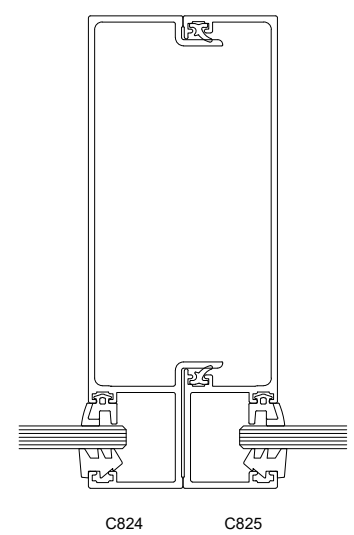
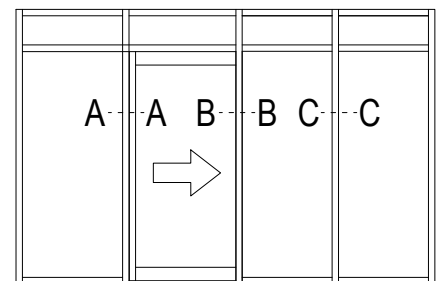
SECTION C-C



SECTION A-A



SECTION B-B



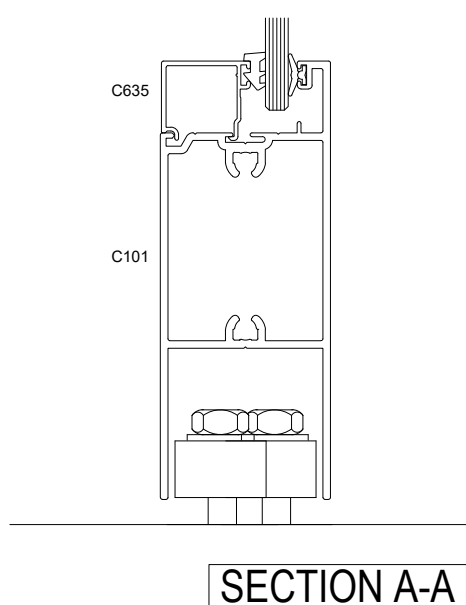
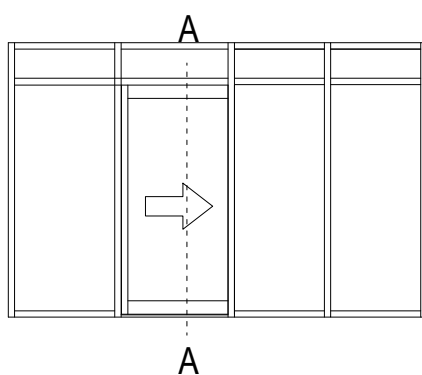
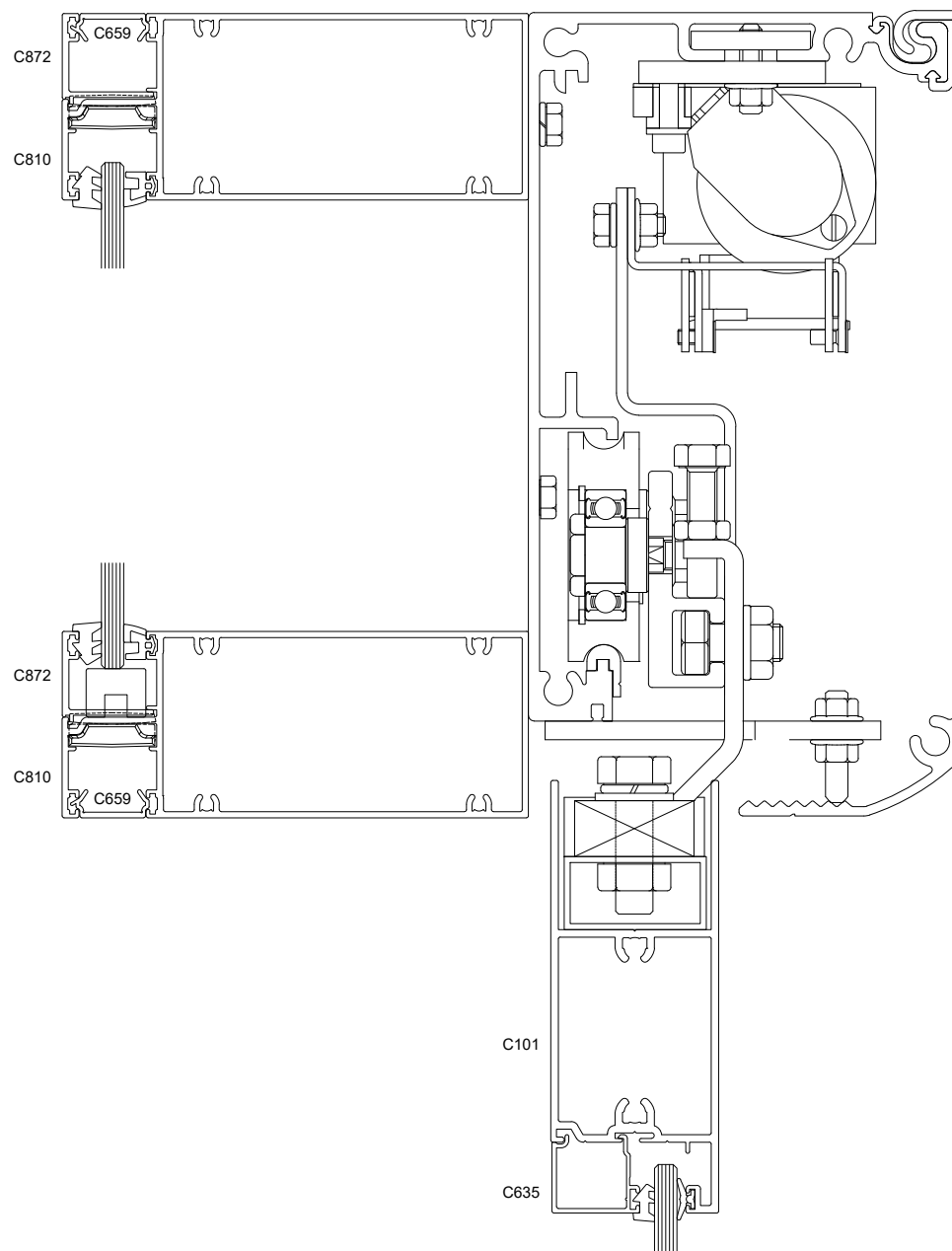
SECTION C-C

## 125mm FRONT GLAZE SLIDING DOOR

FAIRVIEW SYSTEMS LIMITED SPECIFIERS GUIDE 2014 © TECHNICAL SPECIFICATIONS & PROFILE DETAILS SUBJECT TO CHANGE WITHOUT NOTICE

FAIRVIEW 50 COMMERCIAL FULL SUITE

DATE 14.06.2018	SCALE 1:2
REF. FG125.0026	



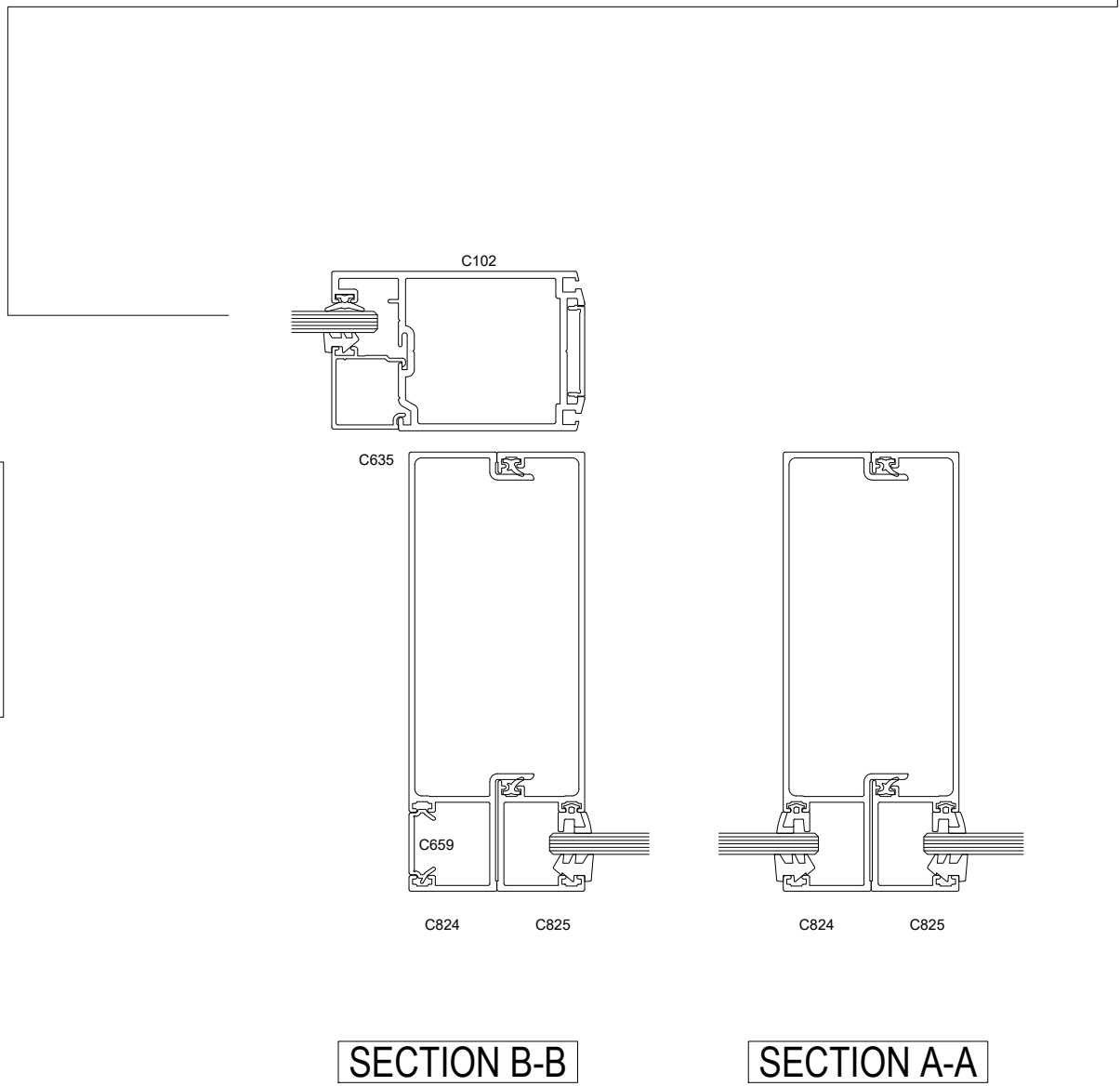
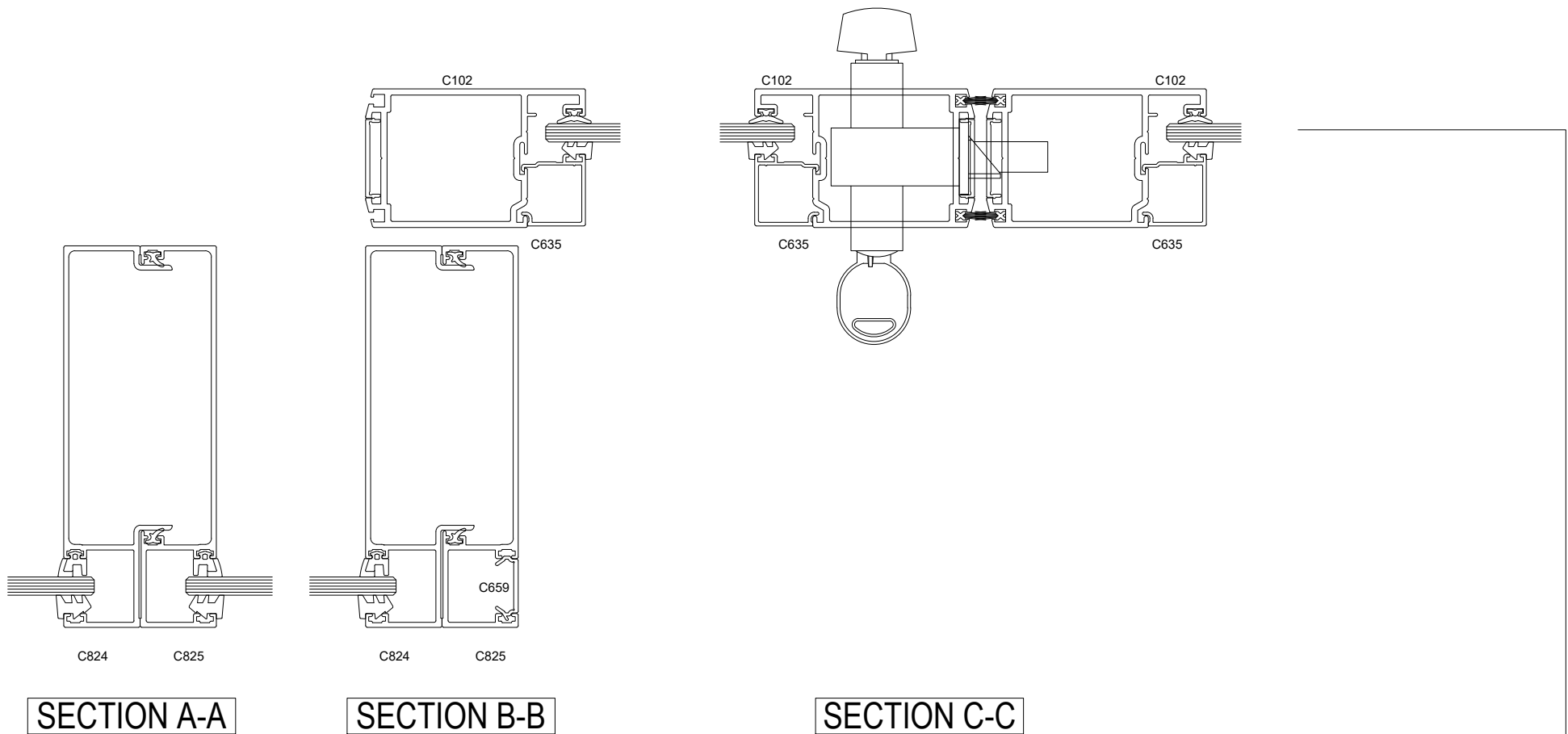
DETAILS SHOWN ARE  
NON-WEATHERED ACCESSIBLE  
SILLS. FOR WEATHERED SILL  
DETAILS PLEASE CONTACT  
FAIRVIEW SYSTEMS LTD.

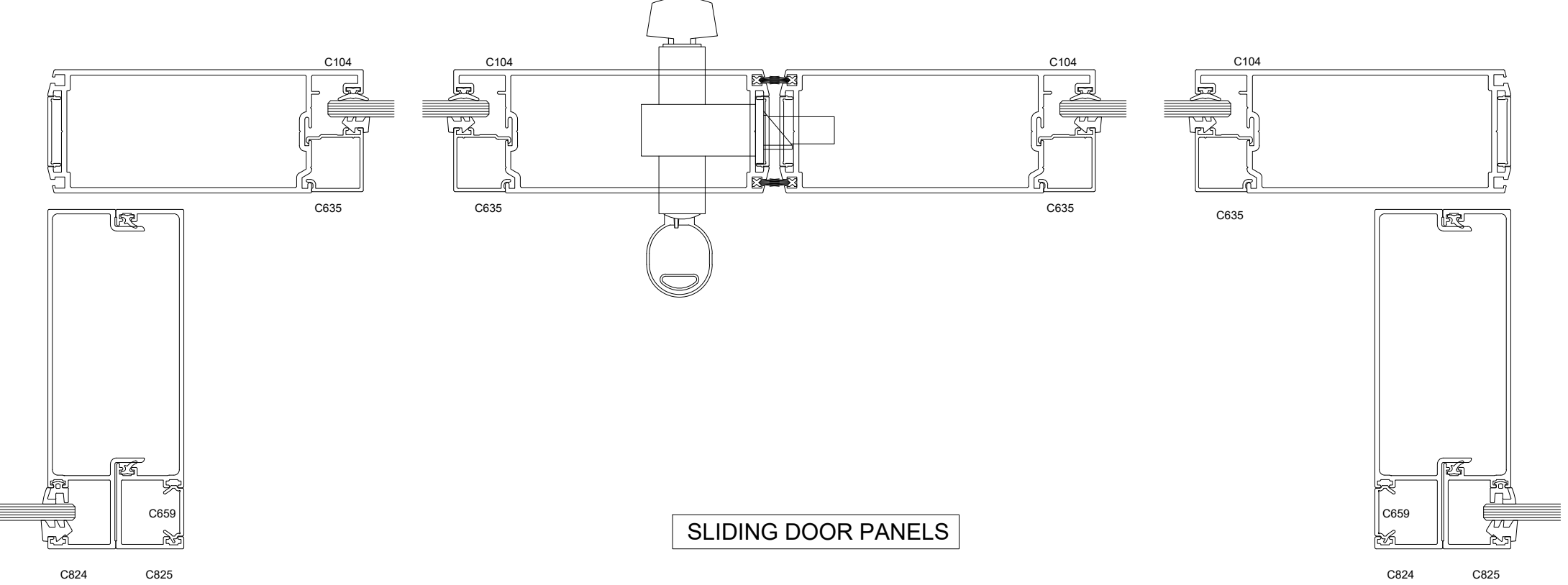
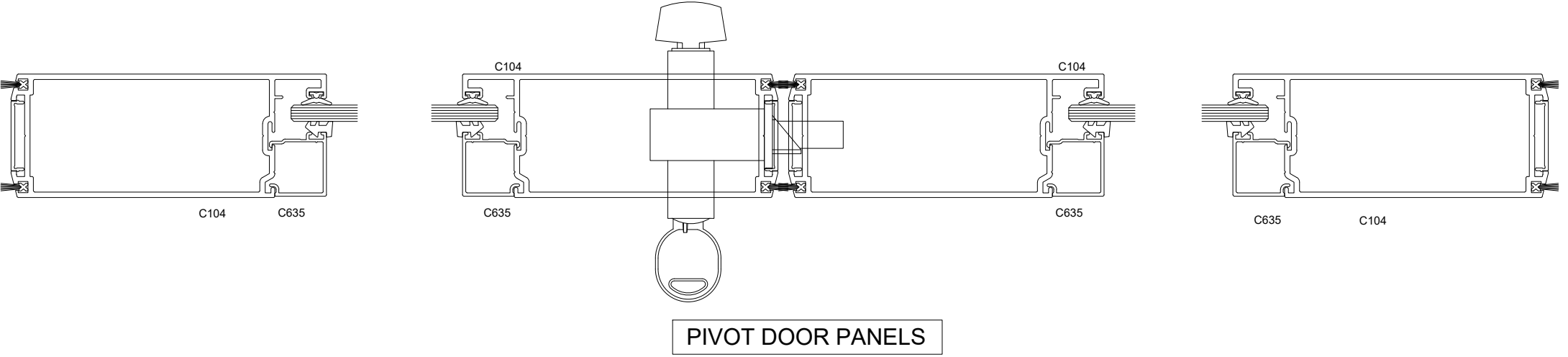
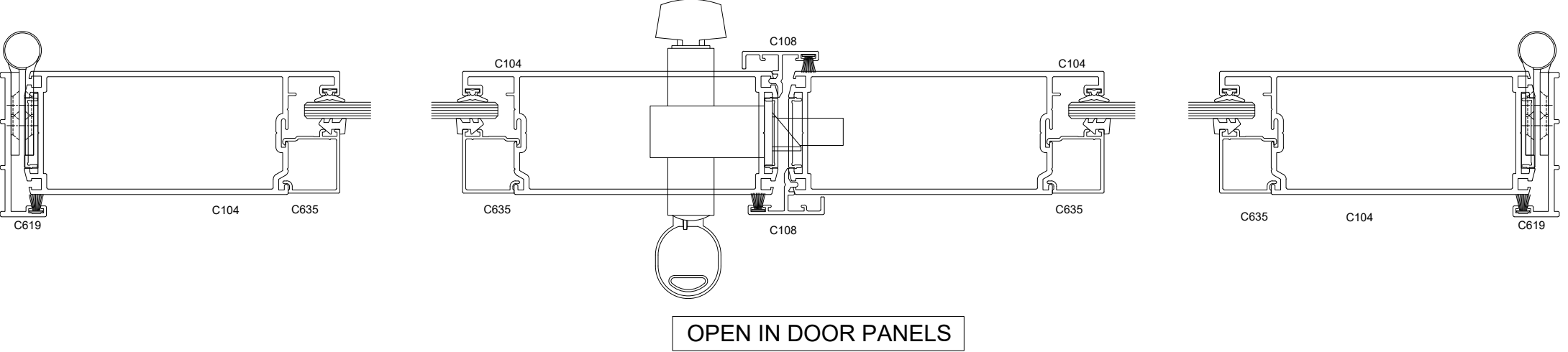
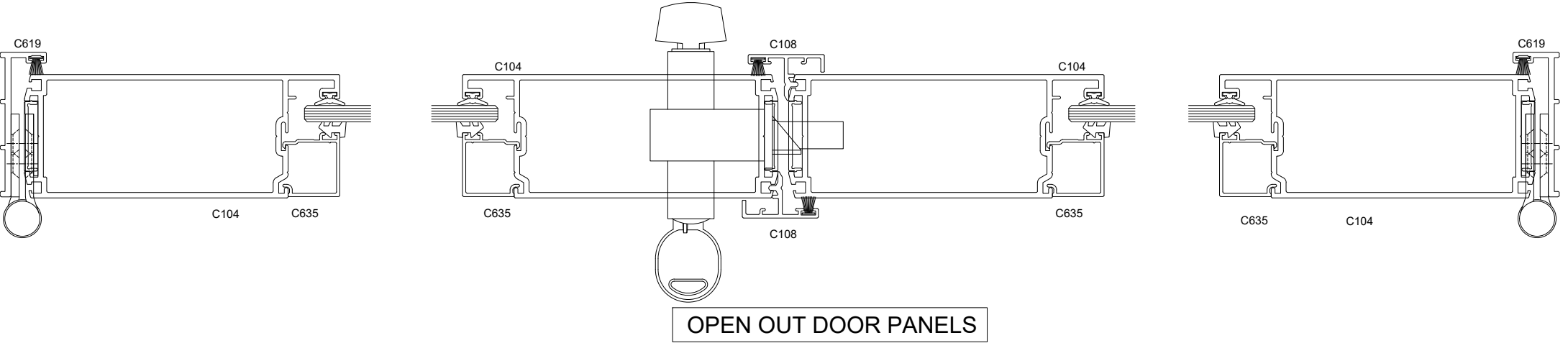
## 125mm FRONT GLAZE AUTO SLIDING DOOR

FAIRVIEW SYSTEMS LIMITED SPECIFIERS GUIDE 2014 © TECHNICAL SPECIFICATIONS & PROFILE DETAILS SUBJECT TO CHANGE WITHOUT NOTICE

FAIRVIEW 50 COMMERCIAL FULL SUITE

DATE 14.06.2018	SCALE 1:2
REF. FG125.0027	



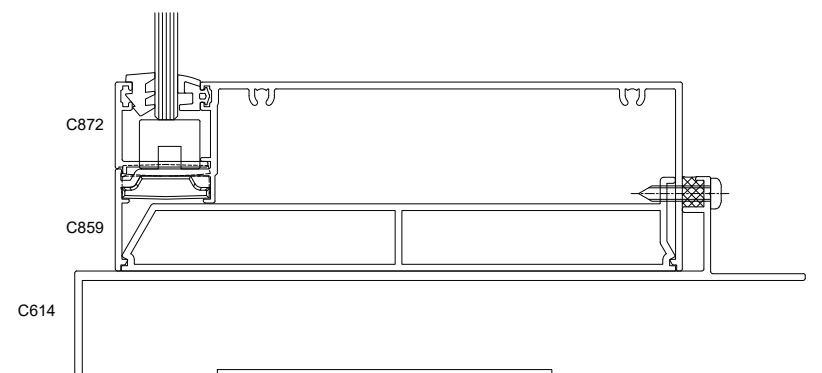
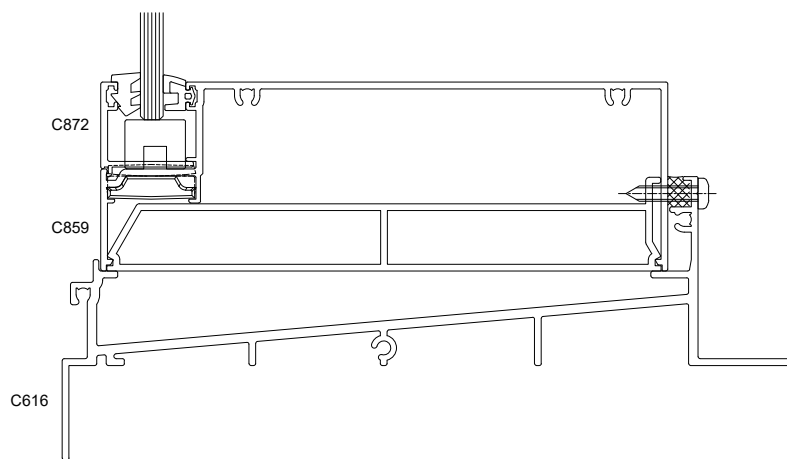
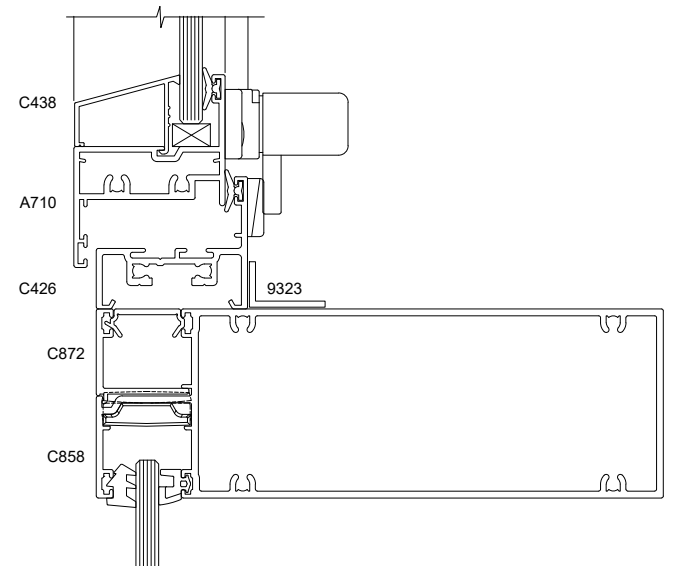
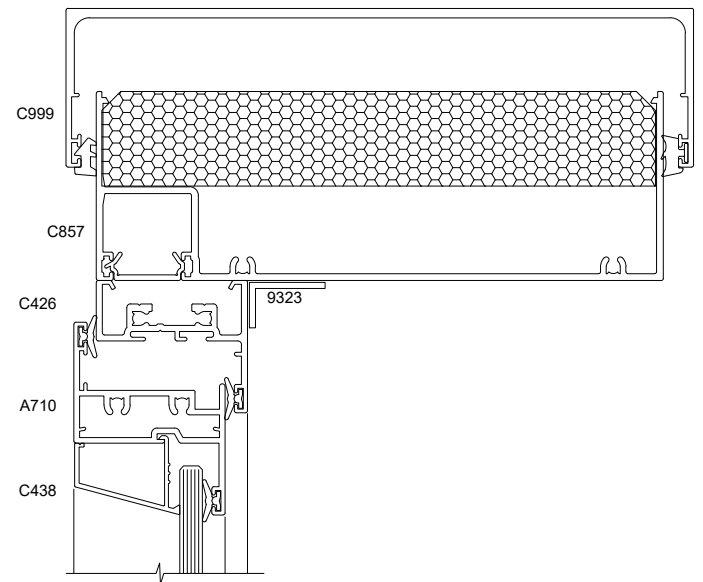
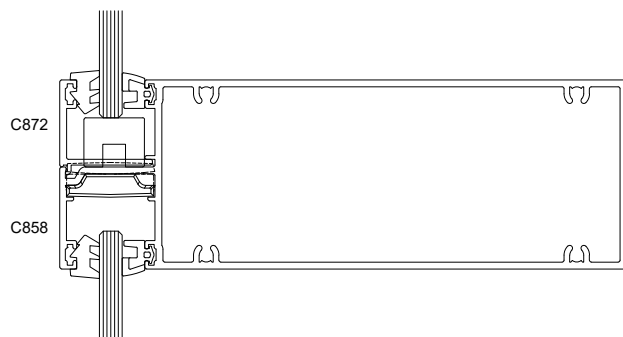
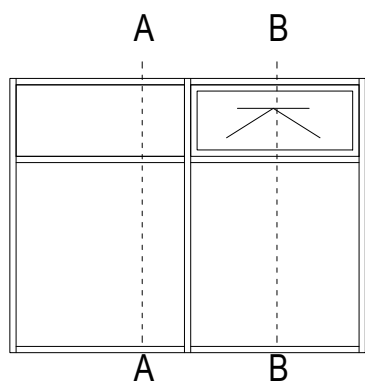
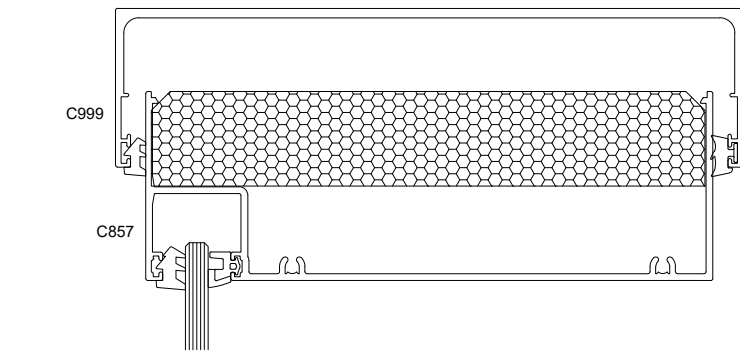


## 125mm FRONT GLAZE WIDE DOOR STILES

FAIRVIEW SYSTEMS LIMITED SPECIFIERS GUIDE 2014 © TECHNICAL SPECIFICATIONS & PROFILE DETAILS SUBJECT TO CHANGE WITHOUT NOTICE

**FAIRVIEW 50 COMMERCIAL FULL SUITE**

DATE 14.06.2018	SCALE 1:2
REF. FG125.0029	



ALTERNATIVE SILL

SECTION A-A

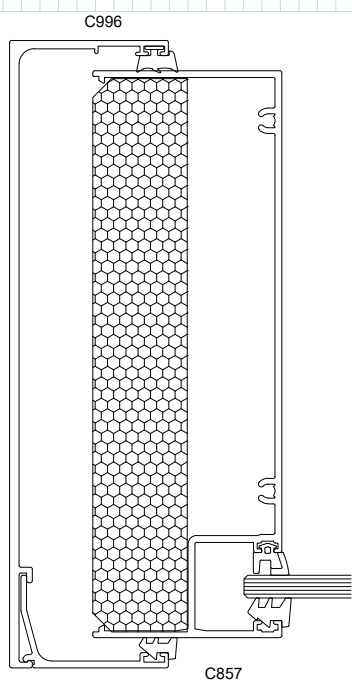
SECTION B-B

## 150mm FRONT GLAZE FIXED GLAZING WINDOW

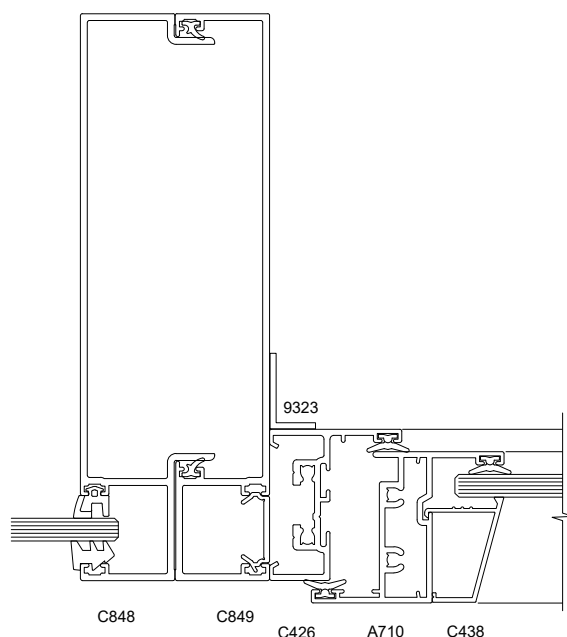
FAIRVIEW SYSTEMS LIMITED SPECIFIERS GUIDE 2014 © TECHNICAL SPECIFICATIONS & PROFILE DETAILS SUBJECT TO CHANGE WITHOUT NOTICE

FAIRVIEW 50 COMMERCIAL FULL SUITE

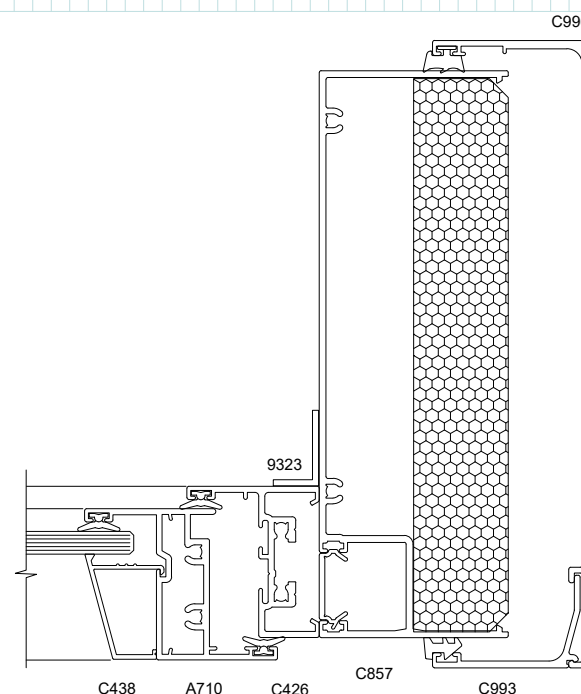
DATE 14.06.2018	SCALE 1:2
REF. FG150.0030	



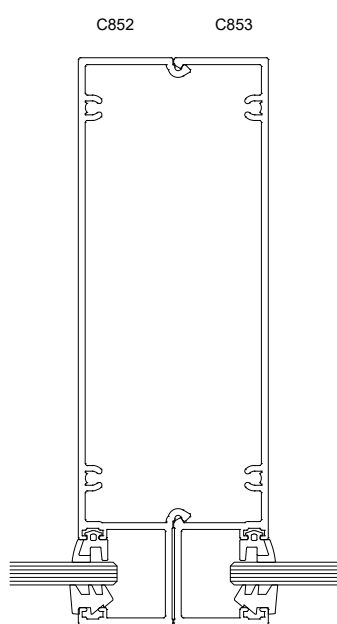
**SECTION A-A**



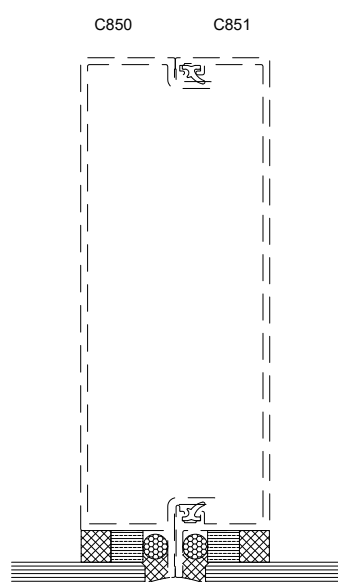
**SECTION B-B**



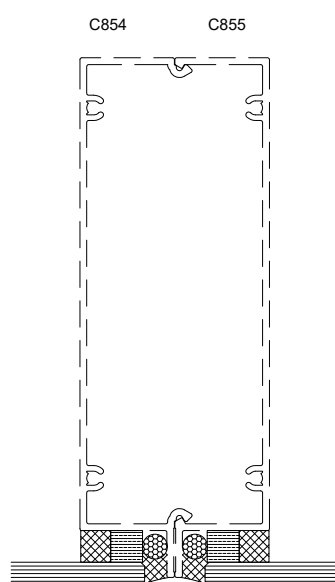
**SECTION C-C**



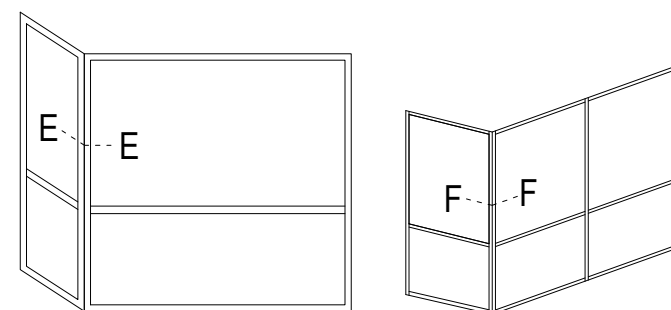
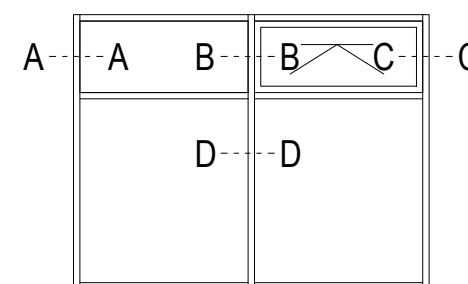
**SECTION D-D**



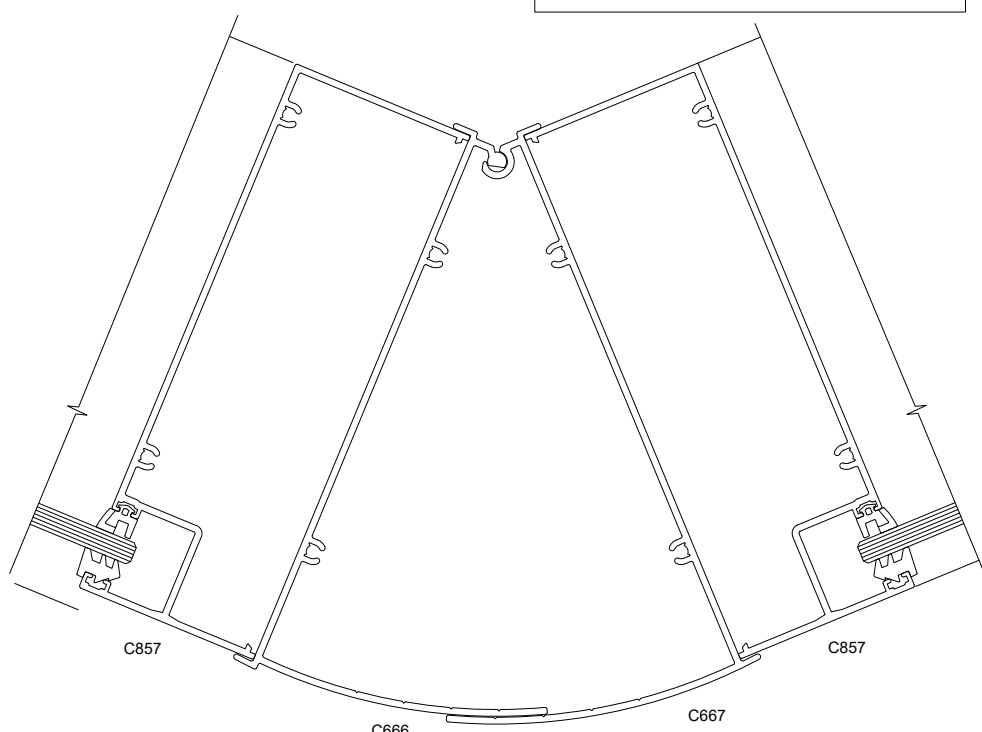
**SECTION D-D**



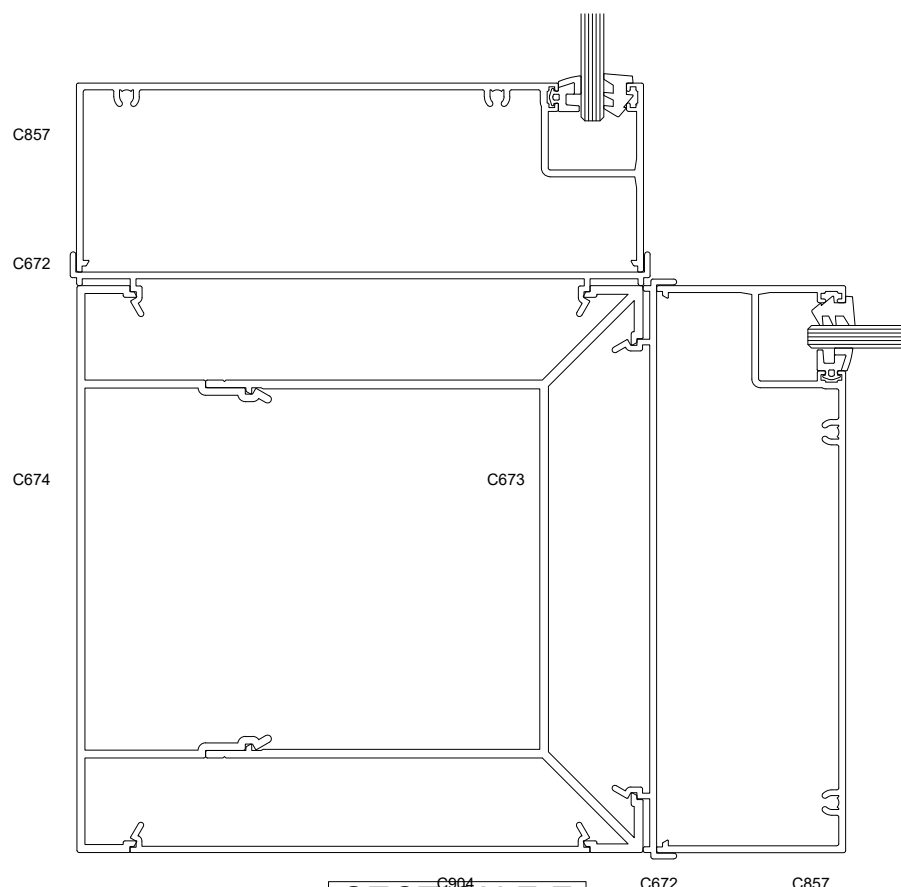
**SECTION D-D**



**ALTERNATIVE MULLIONS**



**SECTION E-E**



**SECTION F-F**

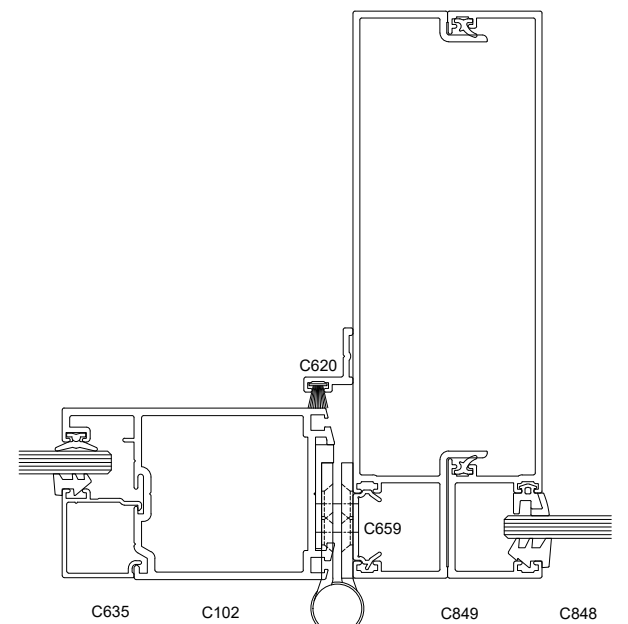
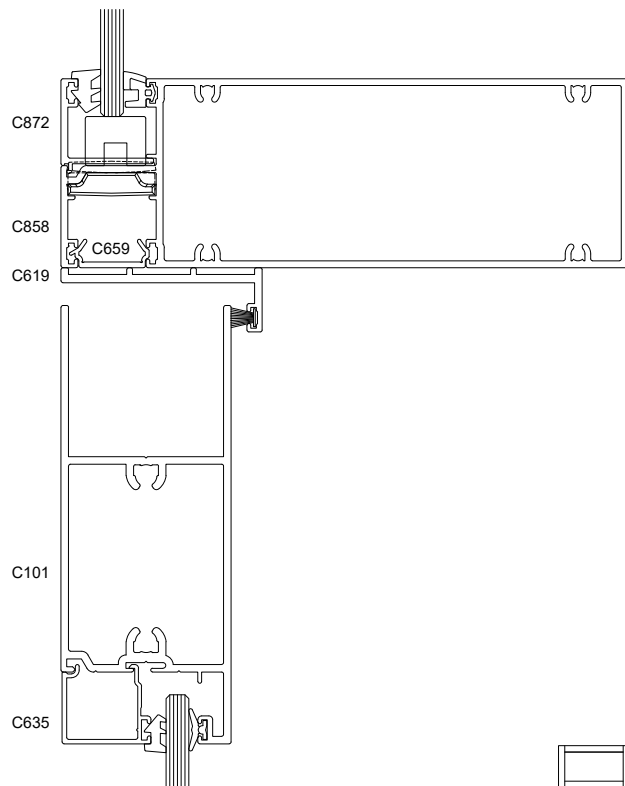
PROFILES SHOWN IN DASHED LINES ARE SUBJECT TO SPECIAL ORDER ONLY, CONSULT FAIRVIEW SYSTEMS FOR INFO

## 150mm FRONT GLAZE FIXED GLAZING WINDOW

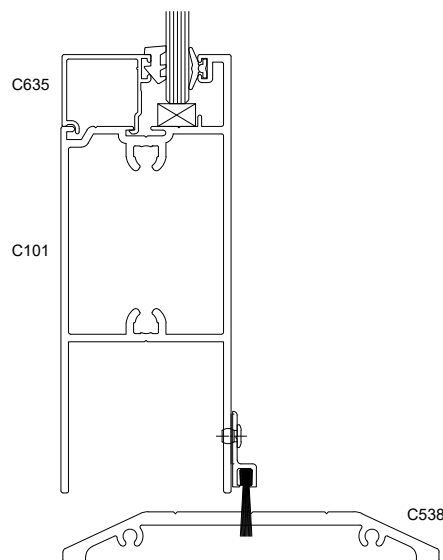
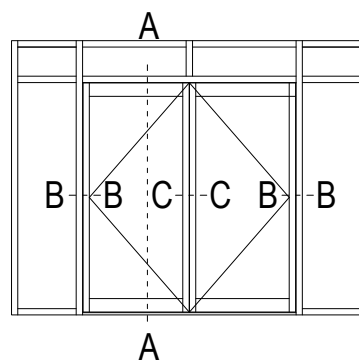
FAIRVIEW SYSTEMS LIMITED SPECIFIERS GUIDE 2014 © TECHNICAL SPECIFICATIONS & PROFILE DETAILS SUBJECT TO CHANGE WITHOUT NOTICE

**FAIRVIEW 50 COMMERCIAL FULL SUITE**

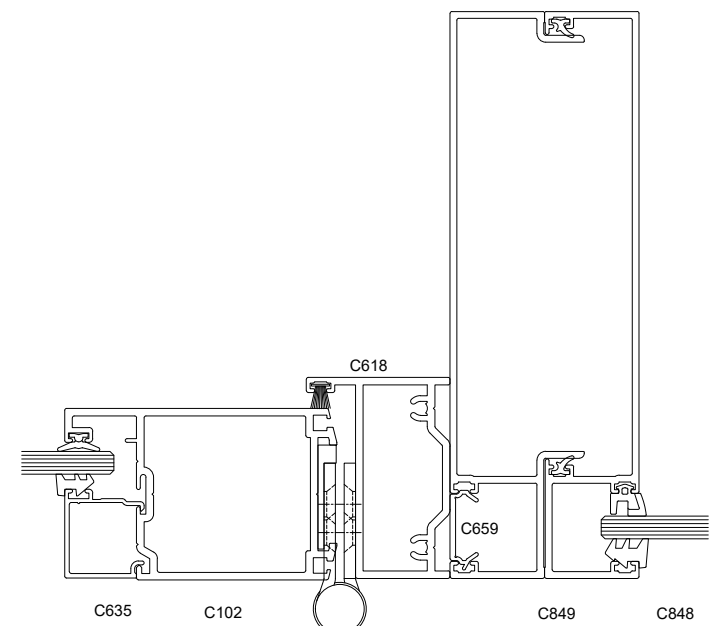
DATE 14.06.2018	SCALE 1:2
REF. FG150.0031	



SECTION B-B

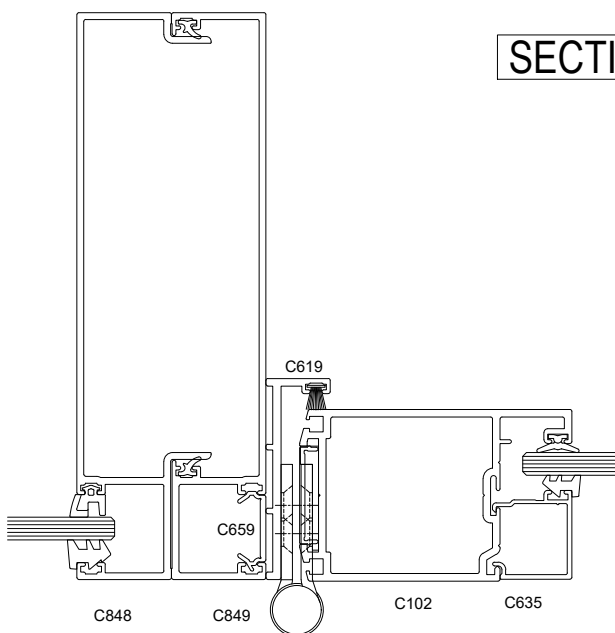


DETAILS SHOWN ARE  
NON-WEATHERED ACCESSIBLE  
SILLS. FOR WEATHERED SILL  
DETAILS PLEASE CONTACT  
FAIRVIEW SYSTEMS LTD.

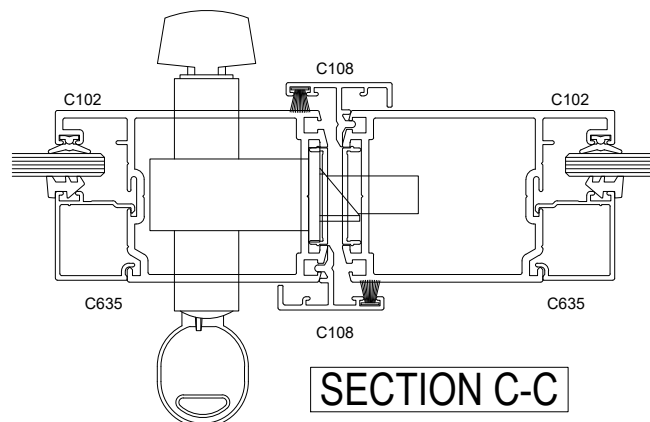


SECTION B-B

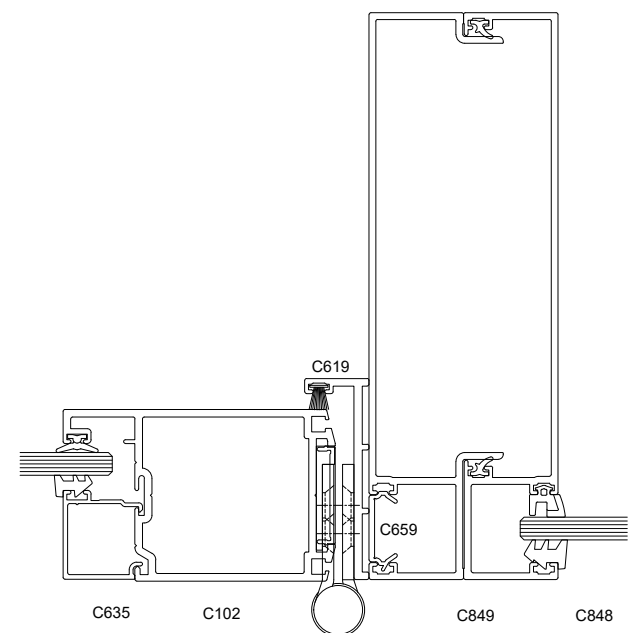
SECTION A-A



SECTION B-B



SECTION C-C



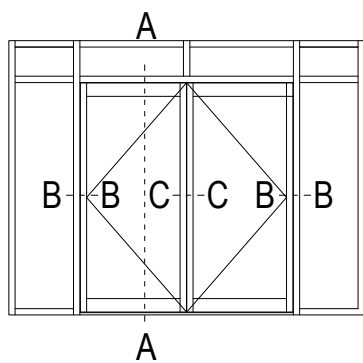
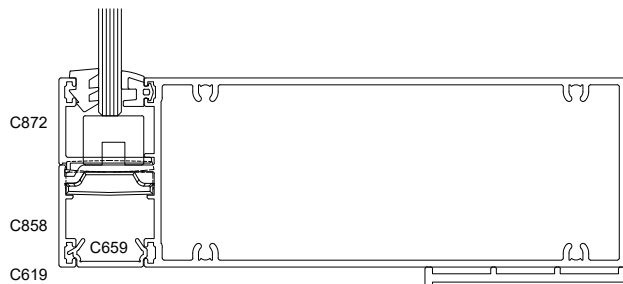
SECTION B-B

## 150mm FRONT GLAZE HINGED DOOR OPEN OUT

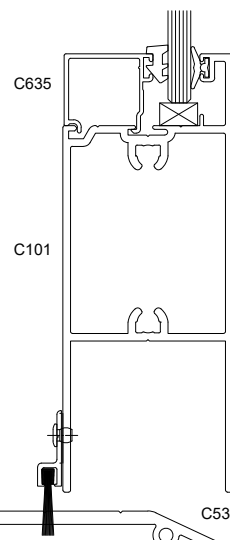
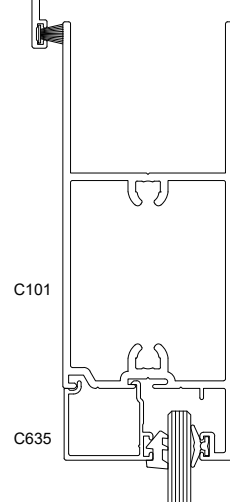
FAIRVIEW SYSTEMS LIMITED SPECIFIERS GUIDE 2014 © TECHNICAL SPECIFICATIONS & PROFILE DETAILS SUBJECT TO CHANGE WITHOUT NOTICE

FAIRVIEW 50 COMMERCIAL FULL SUITE

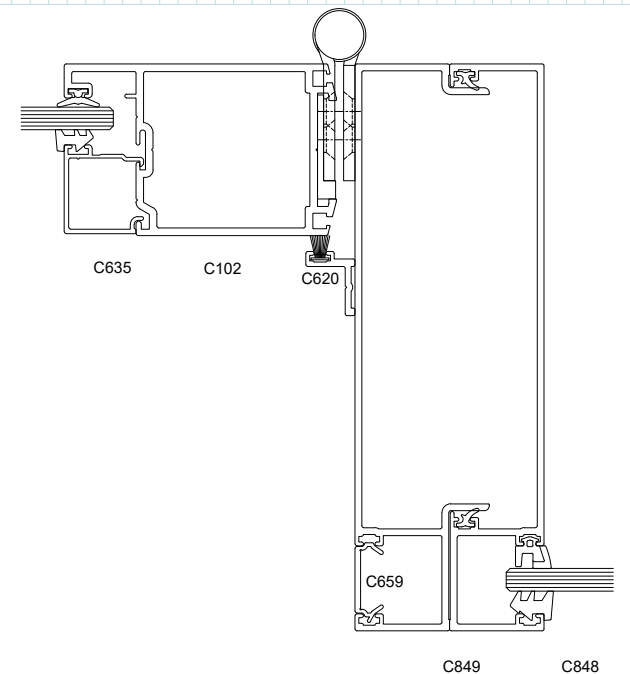
DATE 14.06.2018	SCALE 1:2
REF. FG150.0032	



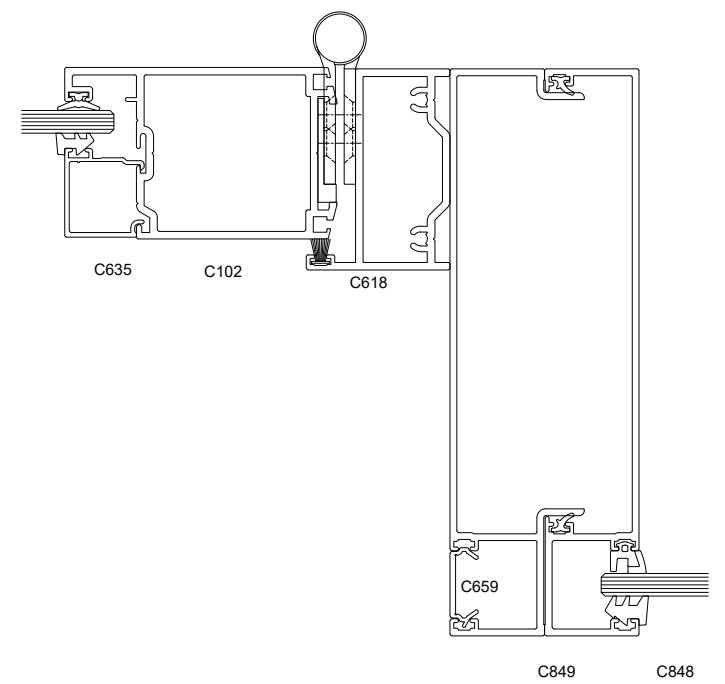
DETAILS SHOWN ARE  
NON-WEATHERED ACCESSIBLE  
SILLS. FOR WEATHERED SILL  
DETAILS PLEASE CONTACT  
FAIRVIEW SYSTEMS LTD.



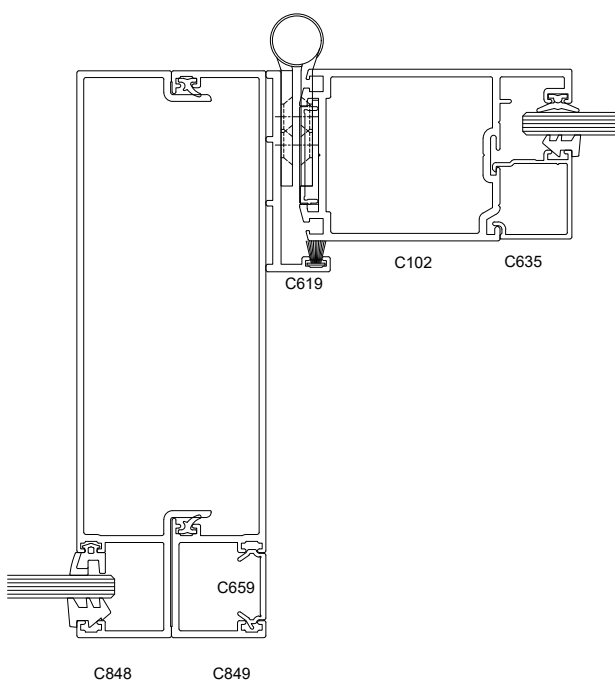
SECTION A-A



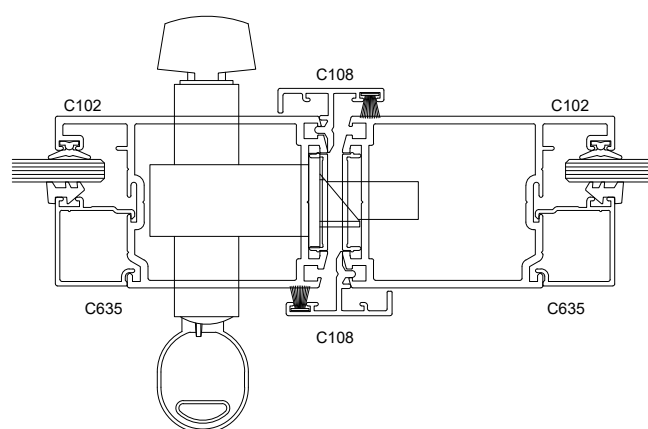
SECTION B-B



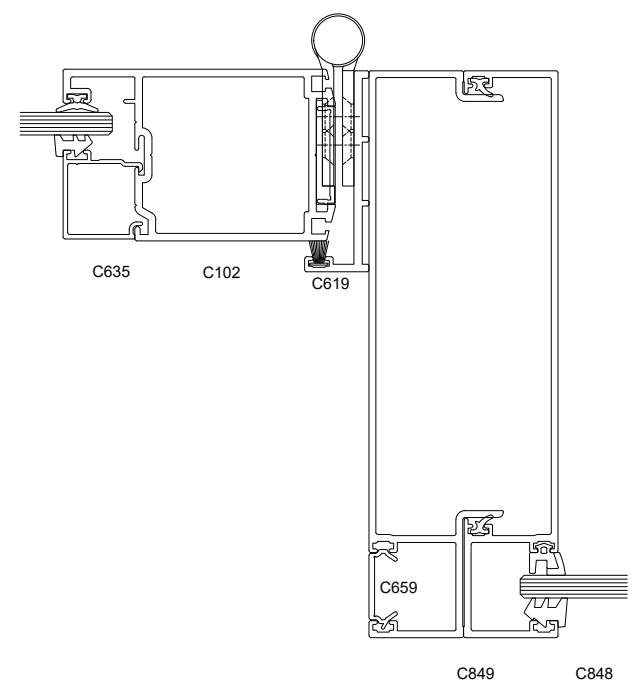
SECTION B-B



SECTION B-B



SECTION C-C



SECTION B-B

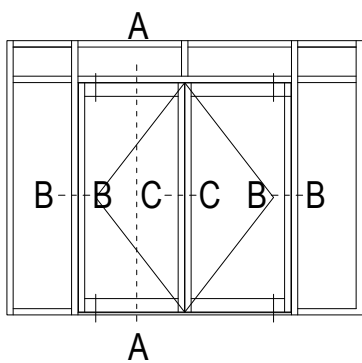
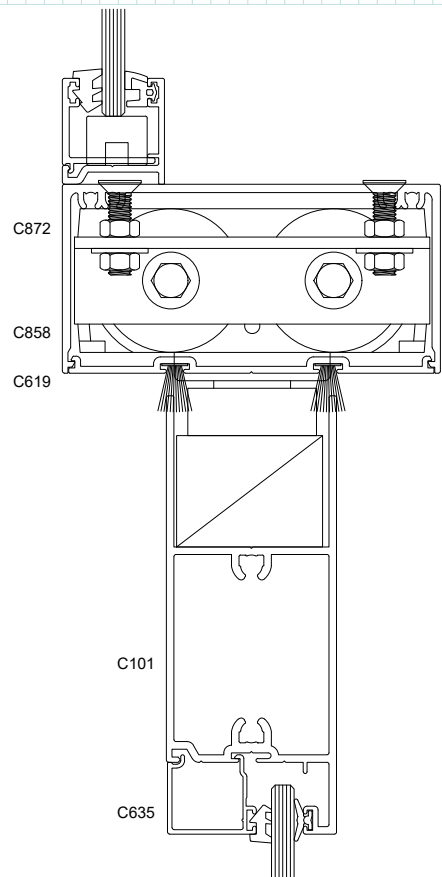
## 150mm FRONT GLAZE HINGED DOOR OPEN IN

FAIRVIEW SYSTEMS LIMITED SPECIFIERS GUIDE 2014 © TECHNICAL SPECIFICATIONS & PROFILE DETAILS SUBJECT TO CHANGE WITHOUT NOTICE

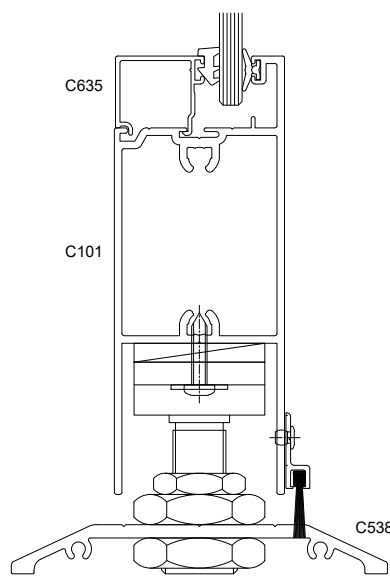
### FAIRVIEW 50 COMMERCIAL FULL SUITE

DATE 14.06.2018	SCALE 1:2
REF. FG150.0033	

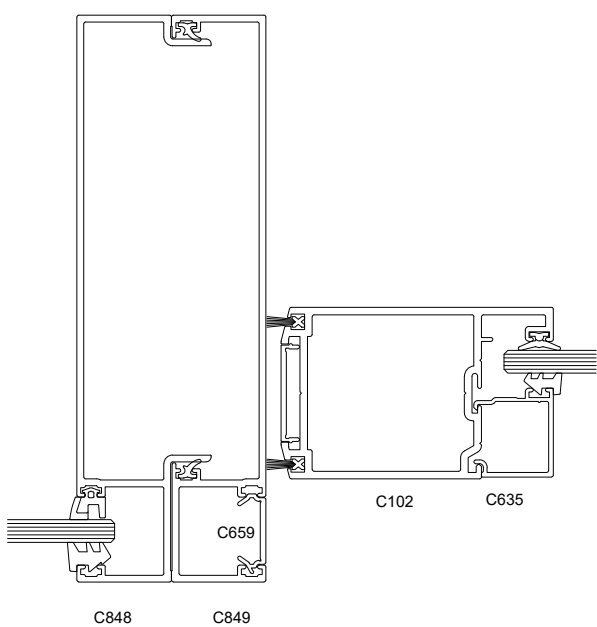




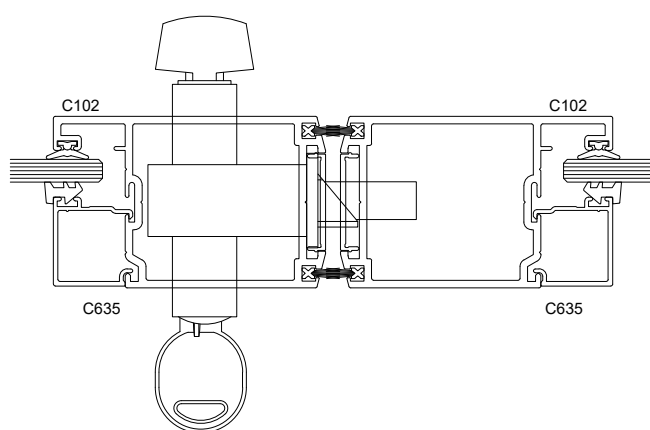
DETAILS SHOWN ARE  
NON-WEATHERED ACCESSIBLE  
SILLS. FOR WEATHERED SILL  
DETAILS PLEASE CONTACT  
FAIRVIEW SYSTEMS LTD.



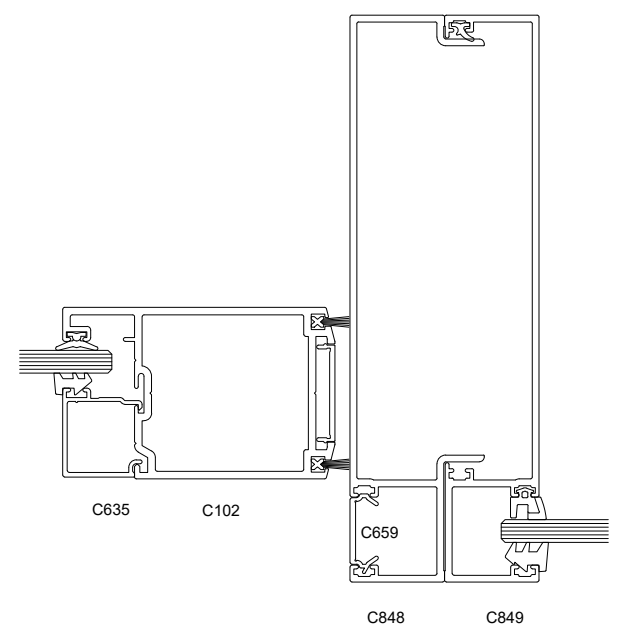
SECTION A-A



SECTION B-B



SECTION C-C



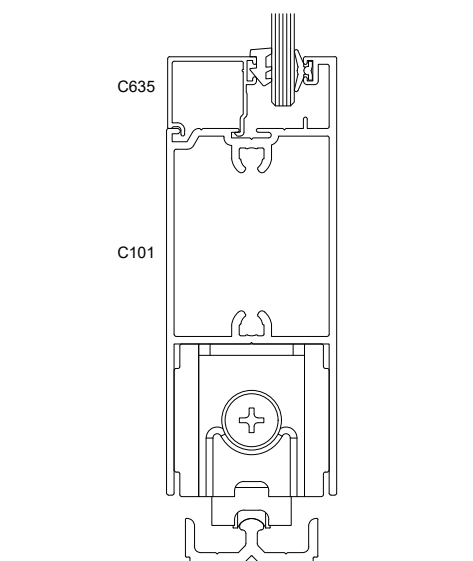
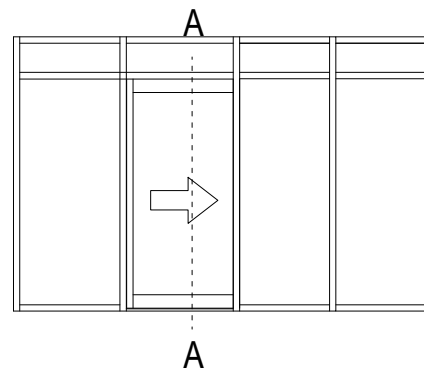
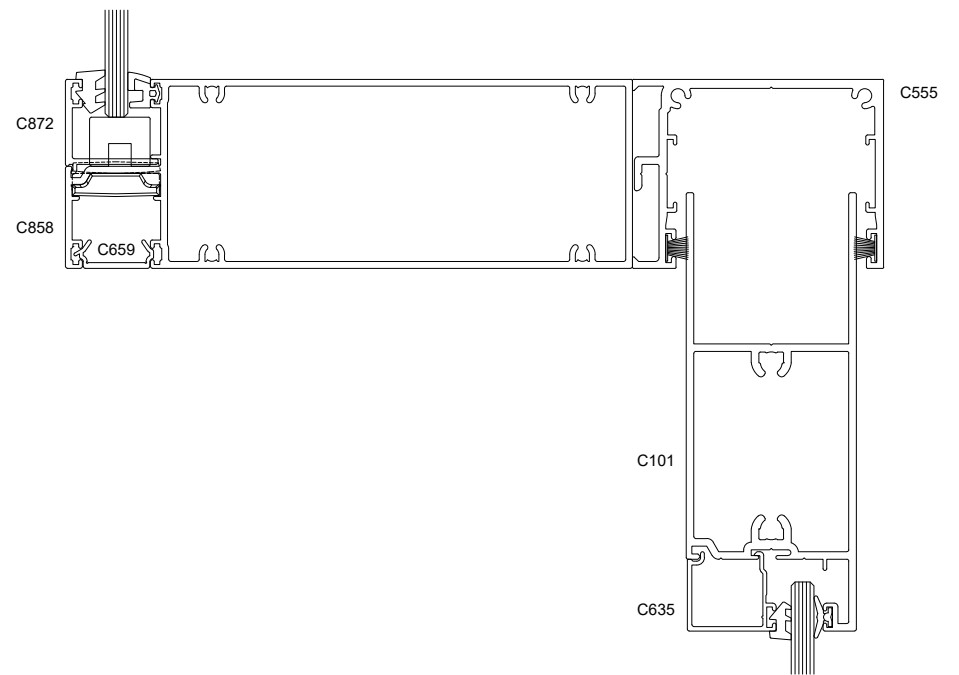
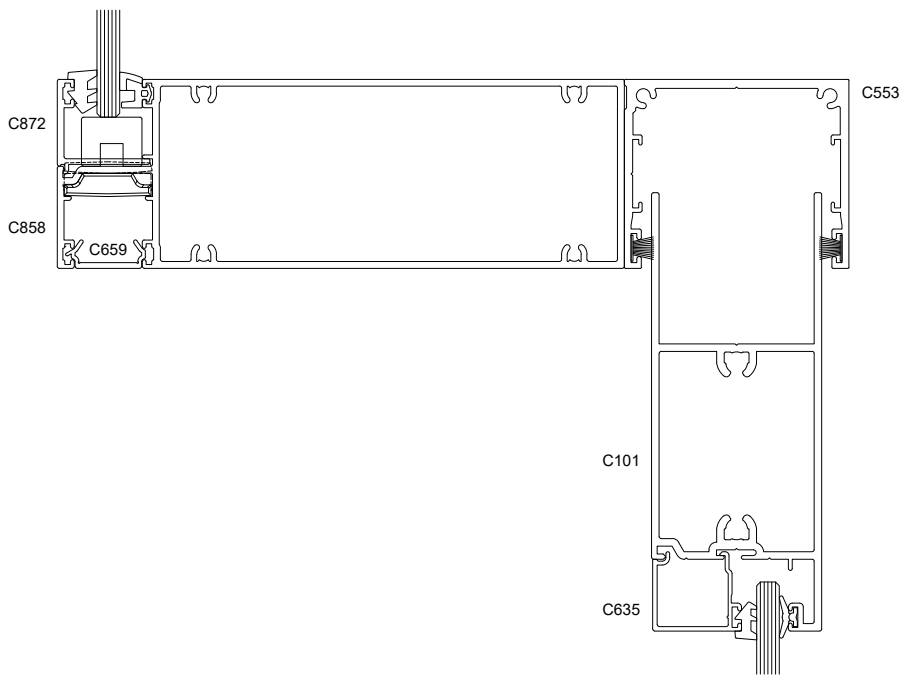
SECTION B-B

## 150mm FRONT GLAZE PIVOT DOOR

FAIRVIEW SYSTEMS LIMITED SPECIFIERS GUIDE 2014 © TECHNICAL SPECIFICATIONS & PROFILE DETAILS SUBJECT TO CHANGE WITHOUT NOTICE

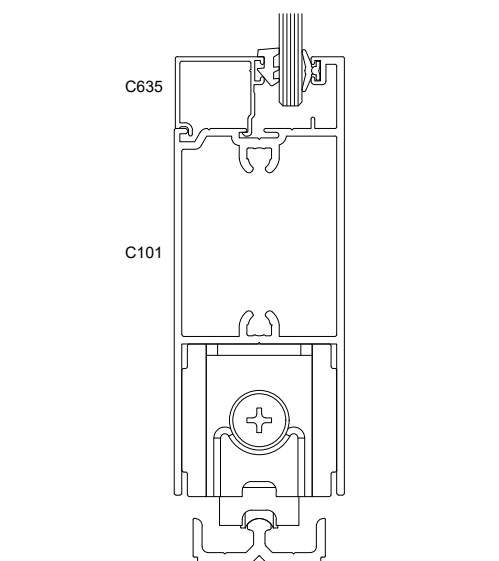
FAIRVIEW 50 COMMERCIAL FULL SUITE

DATE 14.06.2018	SCALE 1:2
REF. FG150.0034	



SECTION A-A

NON-INTERLOCKED



SECTION A-A

INTERLOCKED

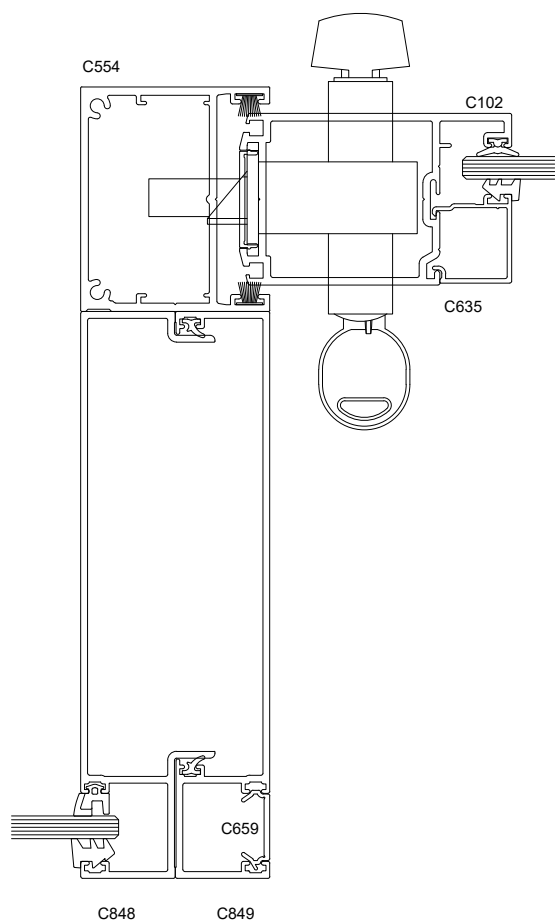
DETAILS SHOWN ARE  
NON-WEATHERED ACCESSIBLE  
SILLS. FOR WEATHERED SILL  
DETAILS PLEASE CONTACT  
FAIRVIEW SYSTEMS LTD.

## 150mm FRONT GLAZE SLIDING DOOR

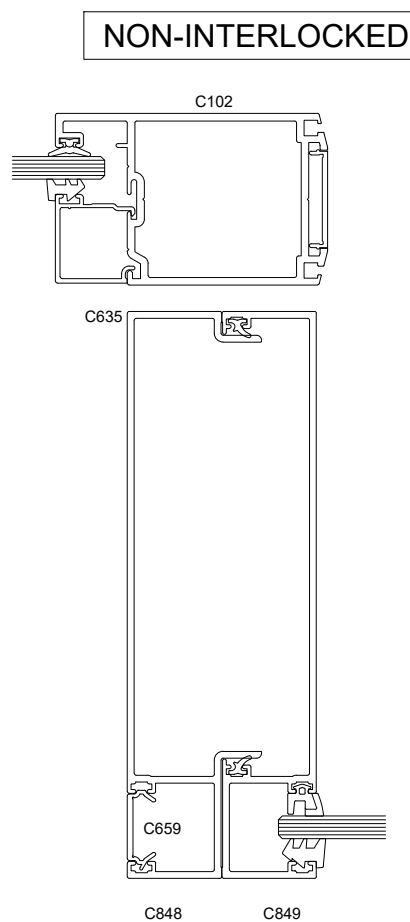
FAIRVIEW SYSTEMS LIMITED SPECIFIERS GUIDE 2014 © TECHNICAL SPECIFICATIONS & PROFILE DETAILS SUBJECT TO CHANGE WITHOUT NOTICE

FAIRVIEW 50 COMMERCIAL FULL SUITE

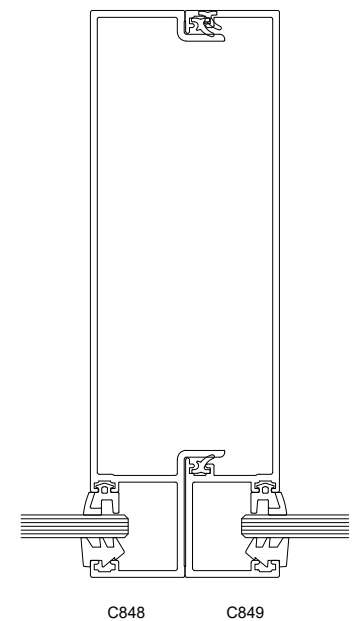
DATE 14.06.2018	SCALE 1:2
REF. FG150.0035	



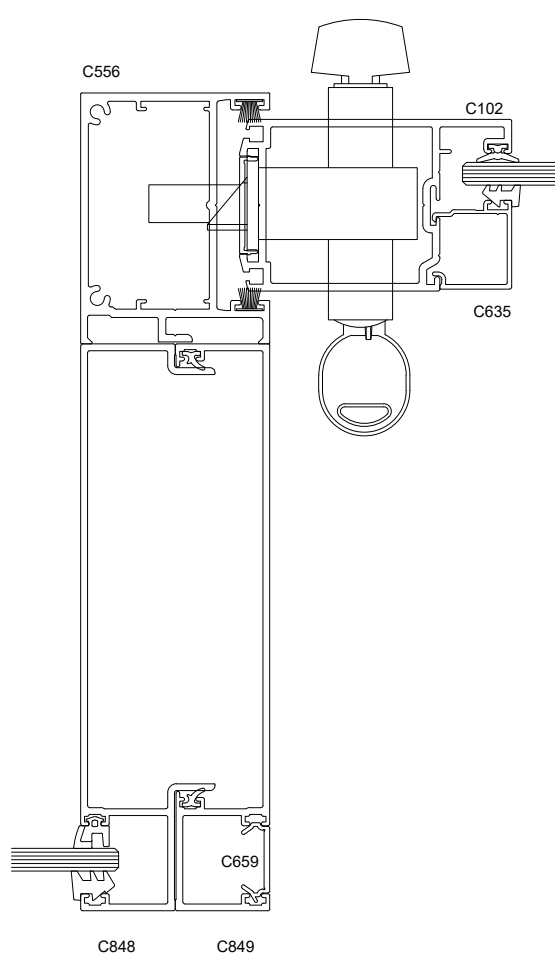
SECTION A-A



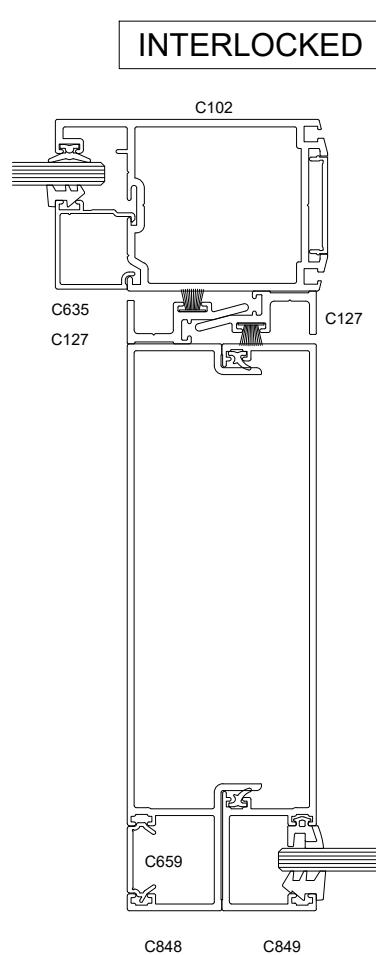
SECTION B-B



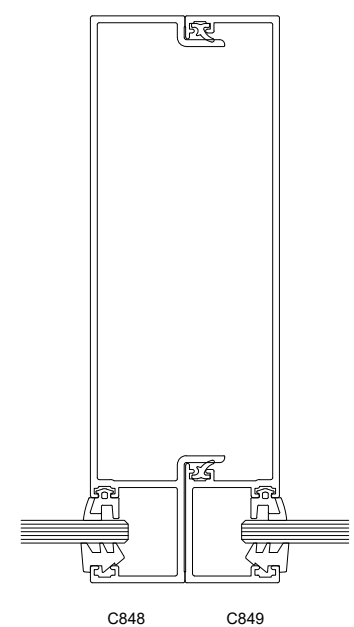
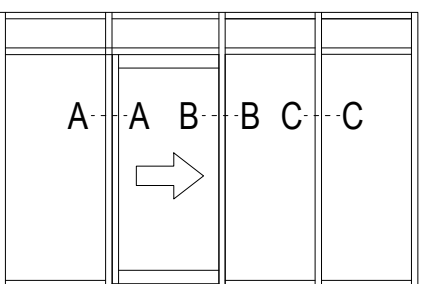
SECTION C-C



SECTION A-A



SECTION B-B



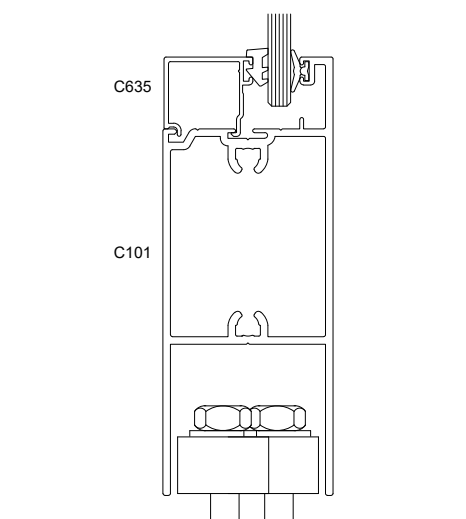
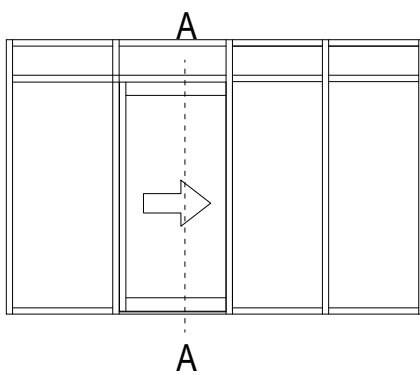
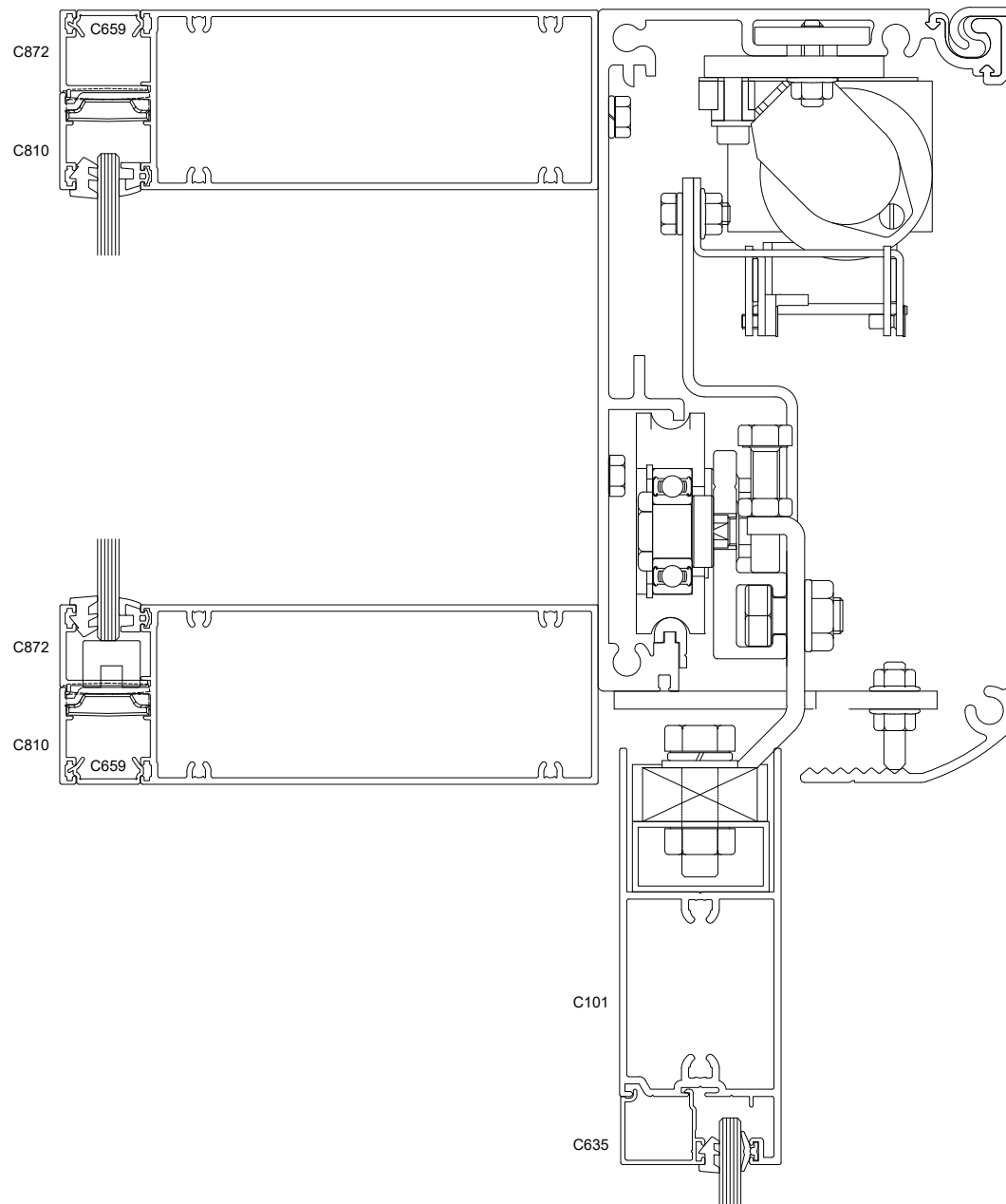
SECTION C-C

## 150mm FRONT GLAZE SLIDING DOOR

FAIRVIEW SYSTEMS LIMITED SPECIFIERS GUIDE 2014 © TECHNICAL SPECIFICATIONS & PROFILE DETAILS SUBJECT TO CHANGE WITHOUT NOTICE

FAIRVIEW 50 COMMERCIAL FULL SUITE

DATE 14.06.2018	SCALE 1:2
REF. FG150.0036	



**SECTION A-A**

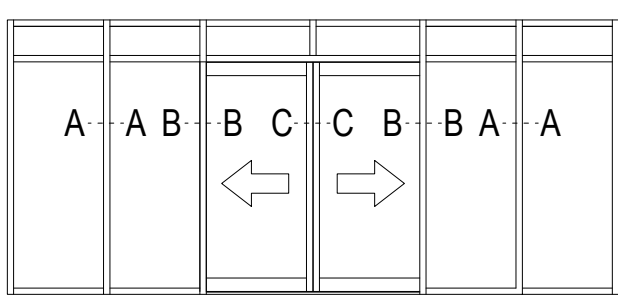
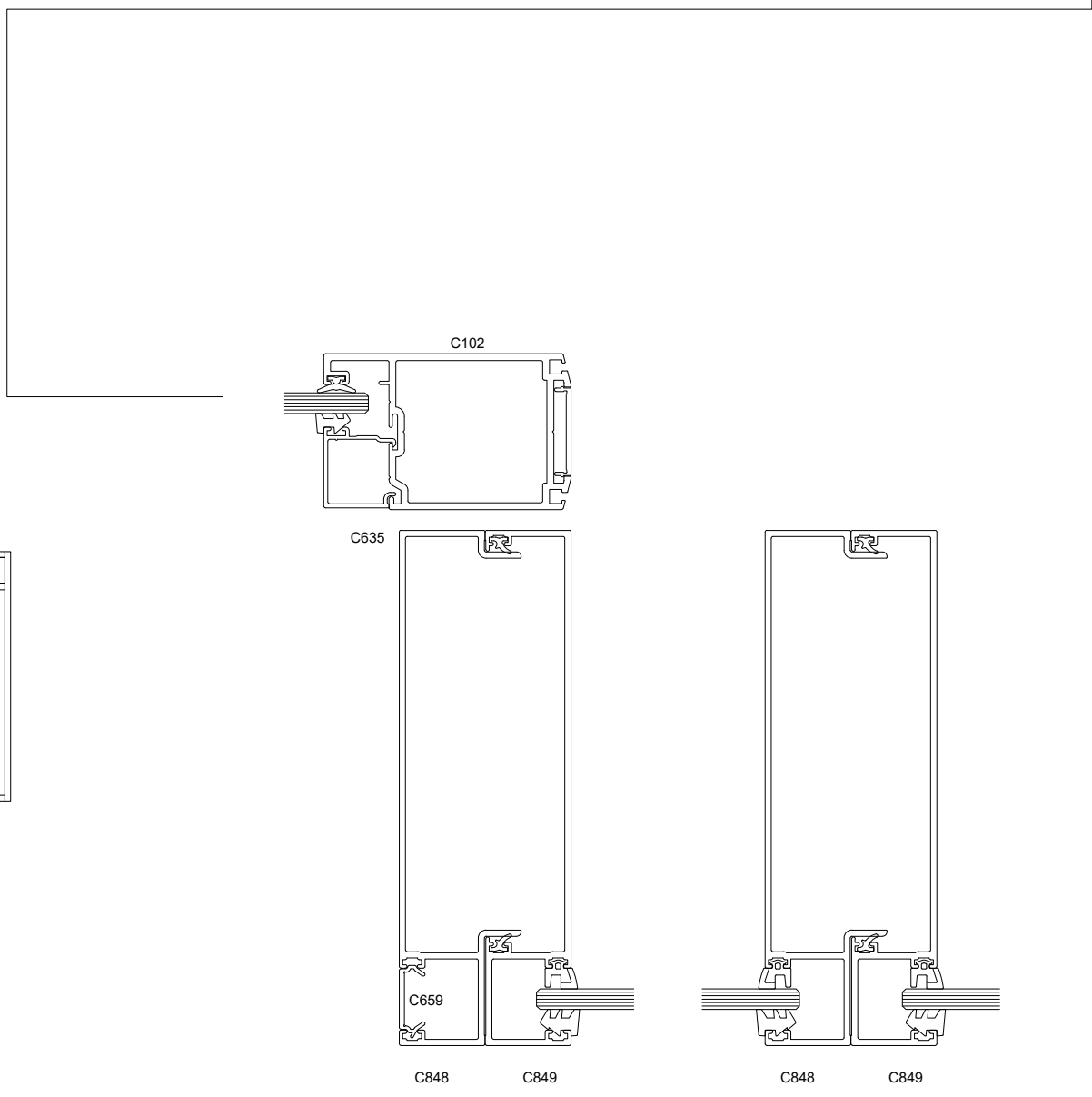
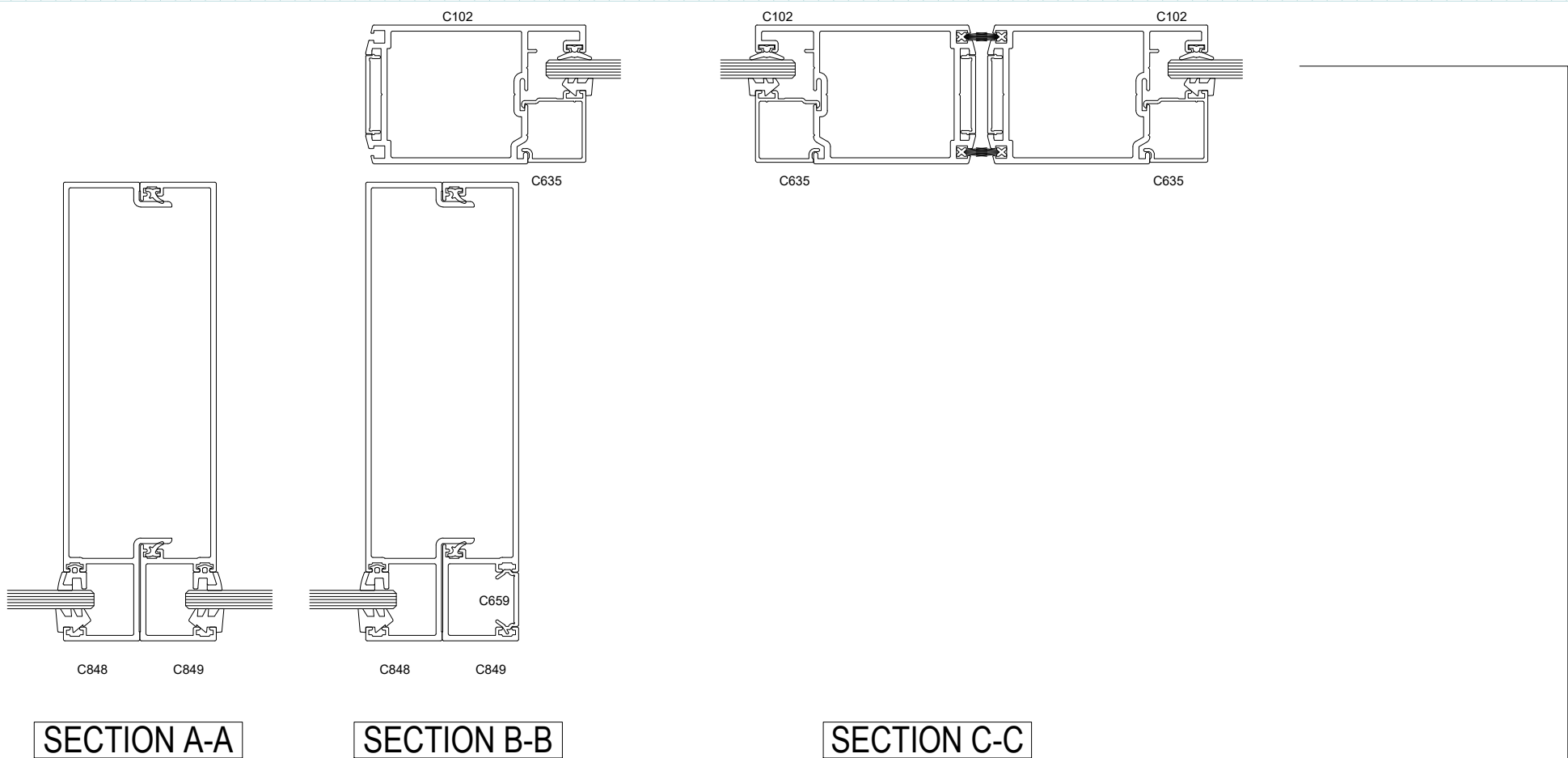
DETAILS SHOWN ARE  
NON-WEATHERED ACCESSIBLE  
SILLS. FOR WEATHERED SILL  
DETAILS PLEASE CONTACT  
FAIRVIEW SYSTEMS LTD.

## 150mm FRONT GLAZE AUTO SLIDING DOOR

FAIRVIEW SYSTEMS LIMITED SPECIFIERS GUIDE 2014 © TECHNICAL SPECIFICATIONS & PROFILE DETAILS SUBJECT TO CHANGE WITHOUT NOTICE

**FAIRVIEW 50 COMMERCIAL FULL SUITE**

DATE 14.06.2018	SCALE 1:2
REF. FG150.0037	

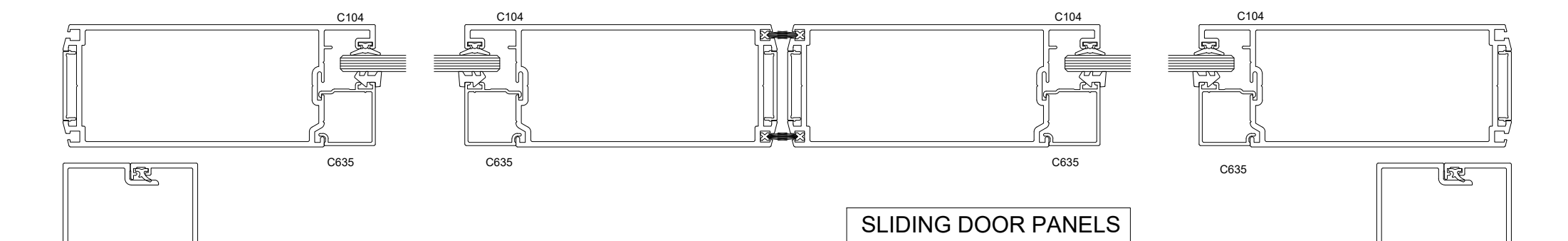
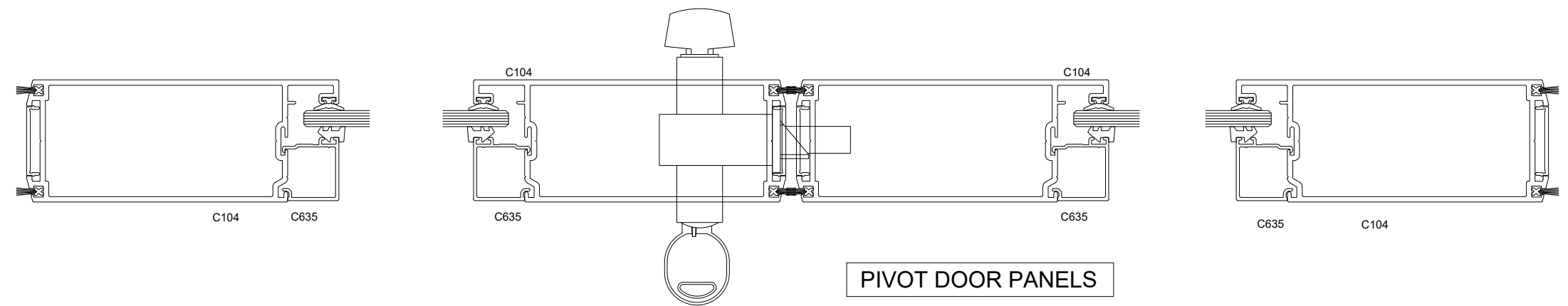
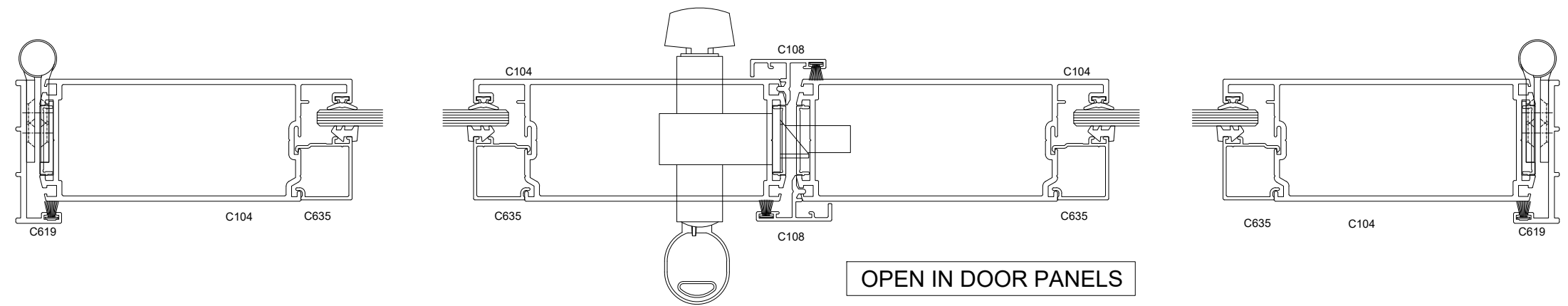
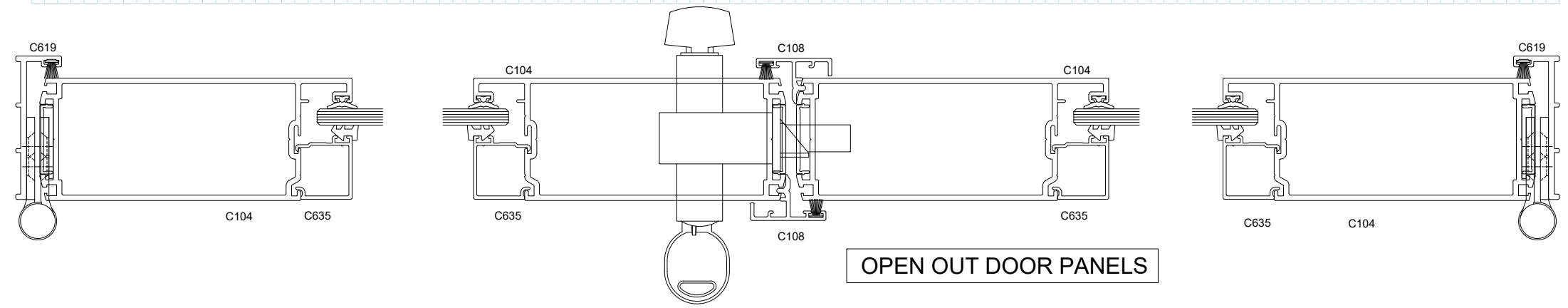


## 150mm FRONT GLAZE AUTO SLIDING DOOR

FAIRVIEW SYSTEMS LIMITED SPECIFIERS GUIDE 2014 © TECHNICAL SPECIFICATIONS & PROFILE DETAILS SUBJECT TO CHANGE WITHOUT NOTICE

FAIRVIEW 50 COMMERCIAL FULL SUITE

DATE 14.06.2018	SCALE 1:2
REF. FG150.0038	

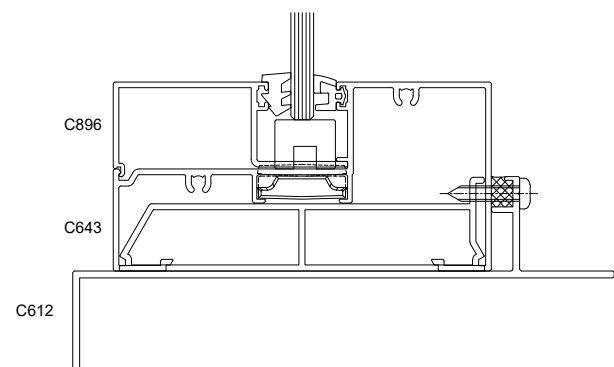
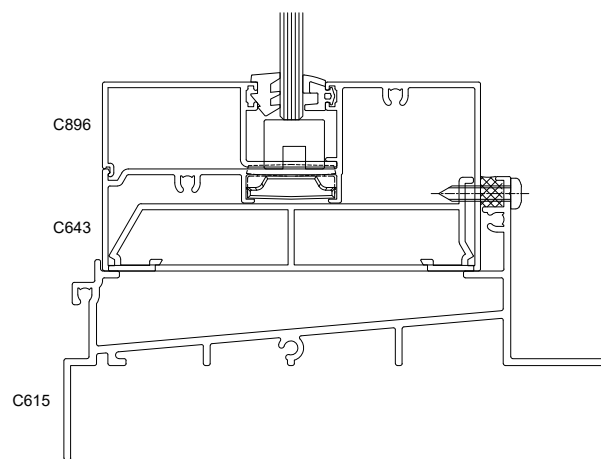
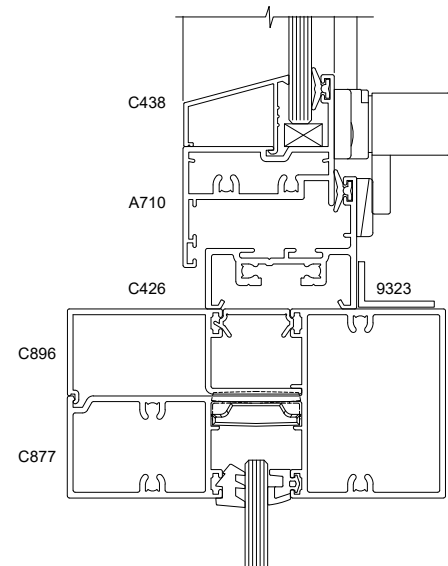
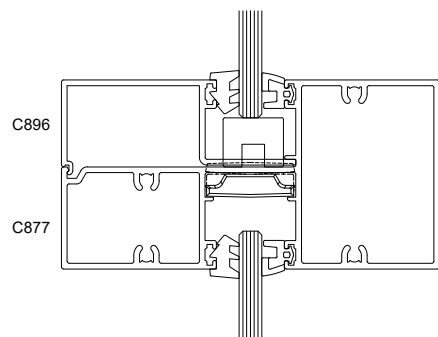
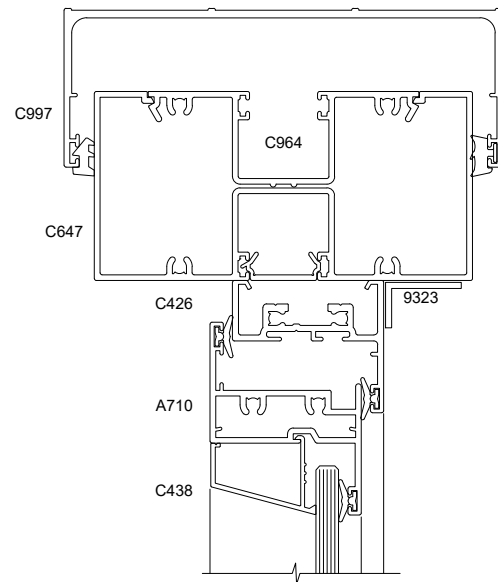
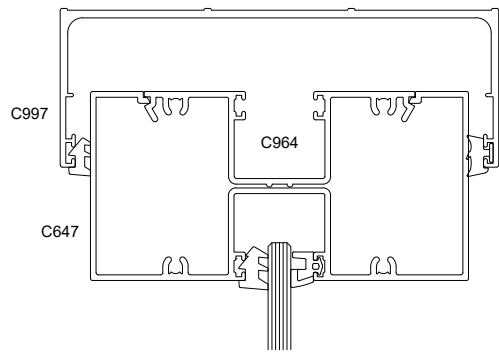
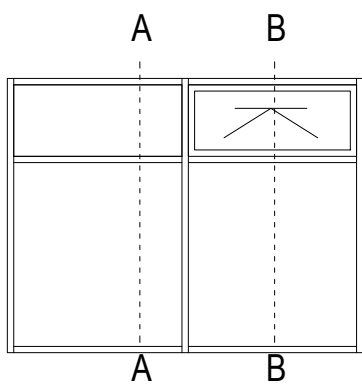


## 150mm FRONT GLAZE WIDE DOOR STILES

FAIRVIEW SYSTEMS LIMITED SPECIFIERS GUIDE 2014 © TECHNICAL SPECIFICATIONS & PROFILE DETAILS SUBJECT TO CHANGE WITHOUT NOTICE

**FAIRVIEW 50 COMMERCIAL FULL SUITE**

DATE 14.06.2018	SCALE 1:2
REF. FG150.0039	



ALTERNATIVE SILL

SECTION A-A

SECTION B-B

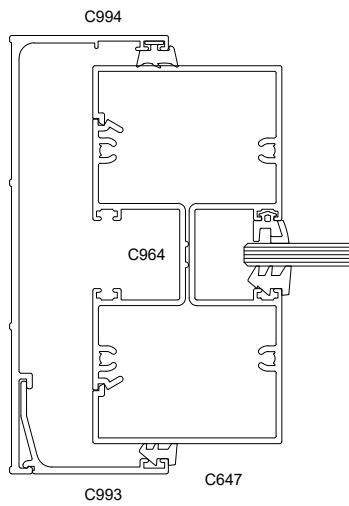
## 100mm CENTRE GLAZE FIXED GLAZING WINDOW

FAIRVIEW SYSTEMS LIMITED SPECIFIERS GUIDE 2014 © TECHNICAL SPECIFICATIONS & PROFILE DETAILS SUBJECT TO CHANGE WITHOUT NOTICE

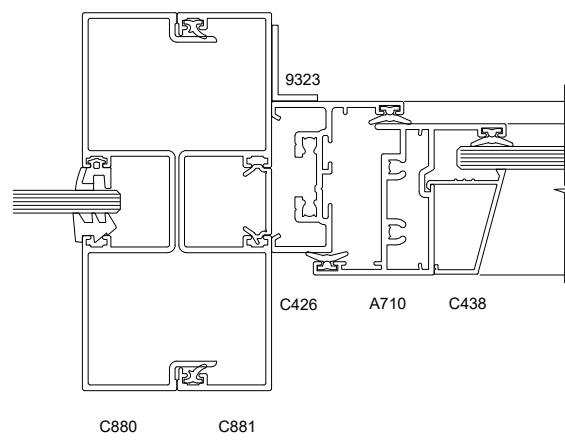
FAIRVIEW 50 COMMERCIAL FULL SUITE

DATE 14.06.2018	SCALE 1:2
REF. CG100.0040	

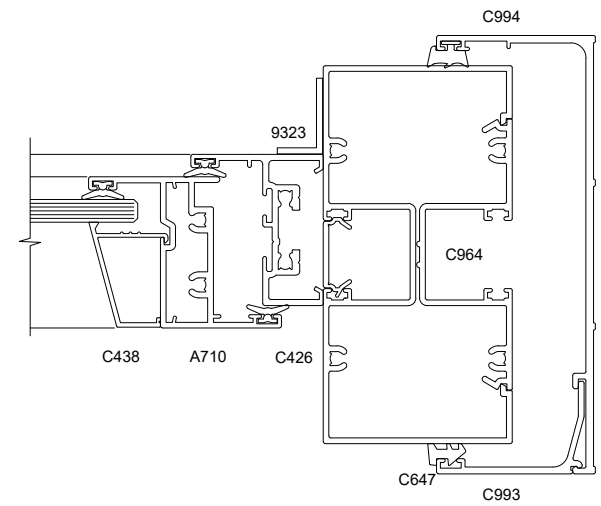
SECTION A-A



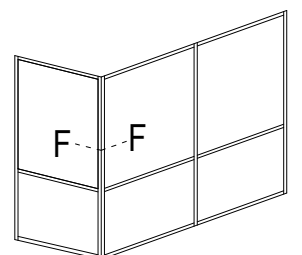
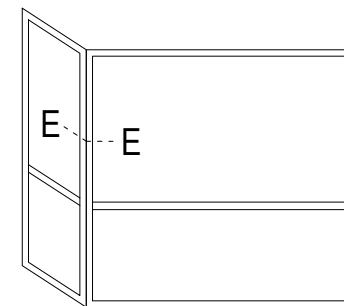
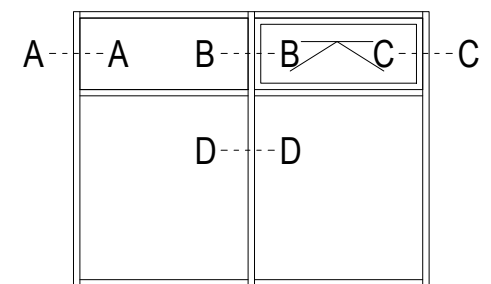
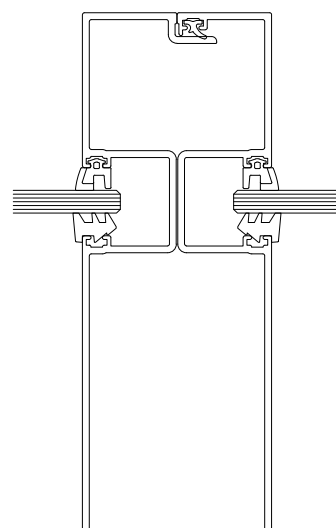
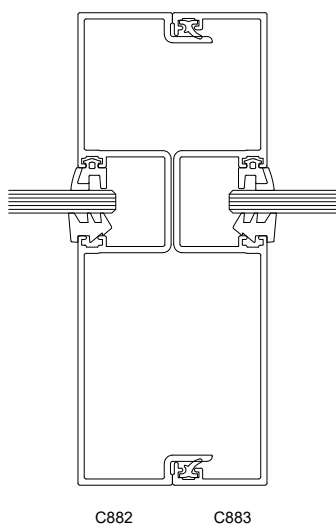
SECTION B-B



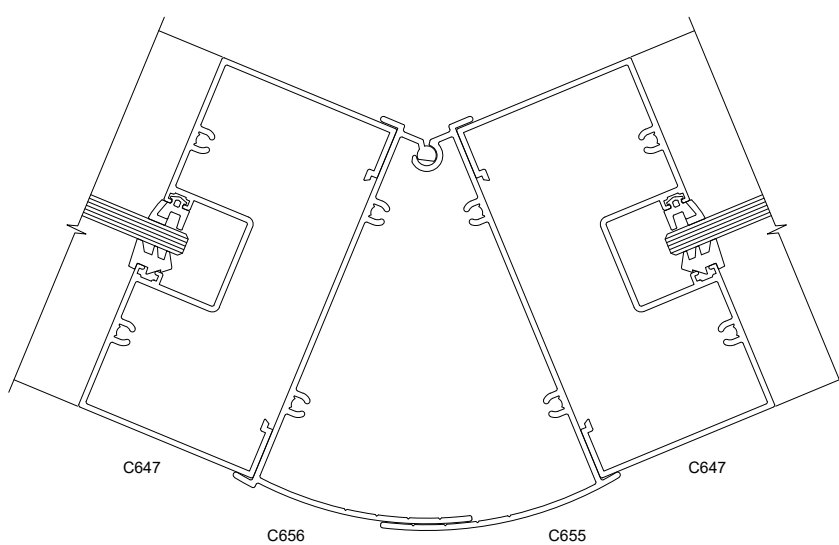
SECTION C-C



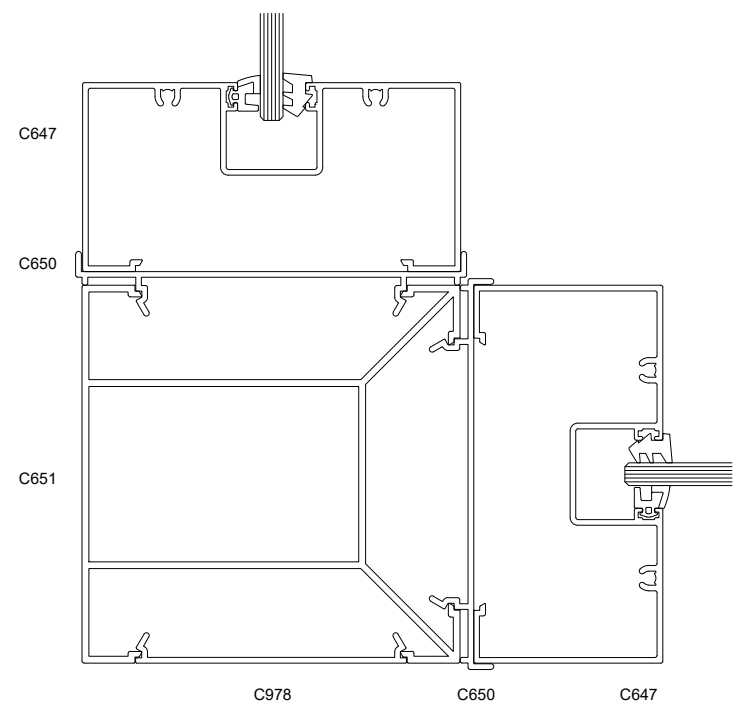
ALTERNATIVE MULLIONS



SECTION D-D



SECTION D-D



SECTION E-E

SECTION F-F

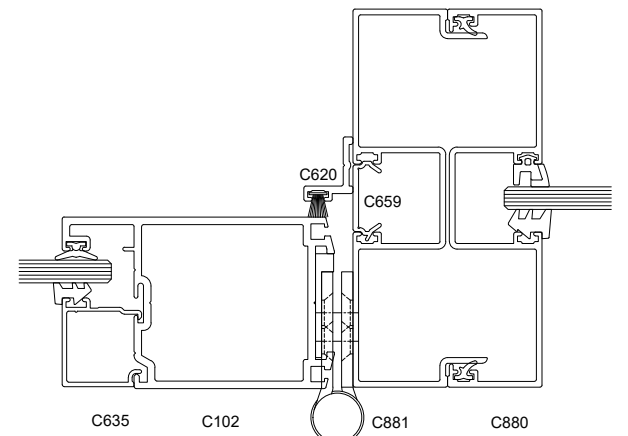
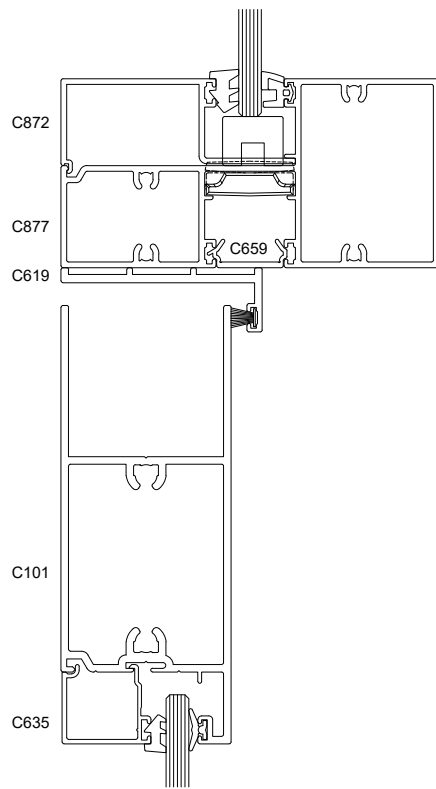
## 100mm CENTRE GLAZE FIXED GLAZING WINDOW

FAIRVIEW SYSTEMS LIMITED SPECIFIERS GUIDE 2014 © TECHNICAL SPECIFICATIONS & PROFILE DETAILS SUBJECT TO CHANGE WITHOUT NOTICE

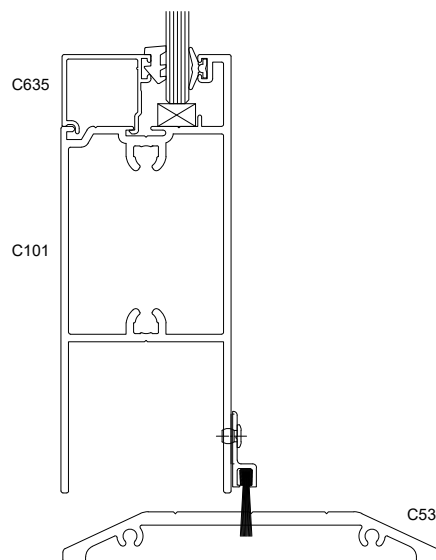
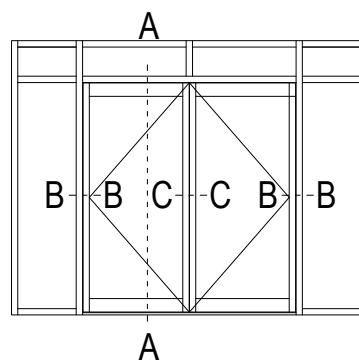
FAIRVIEW 50 COMMERCIAL FULL SUITE

DATE 14.06.2018	SCALE 1:2
REF. CG100.0041	



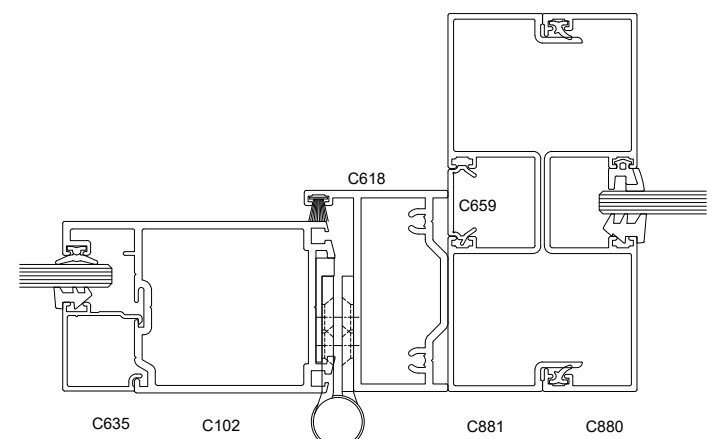


SECTION B-B

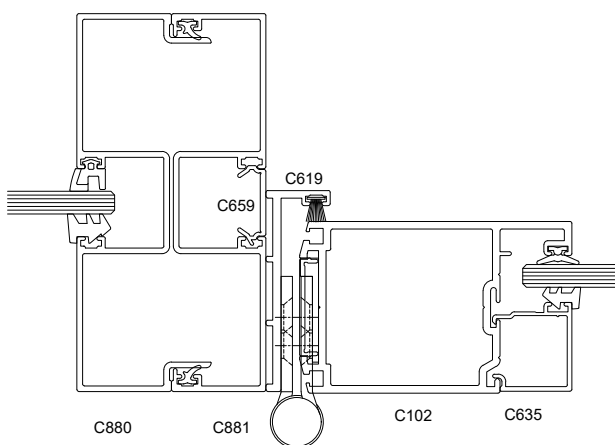


SECTION A-A

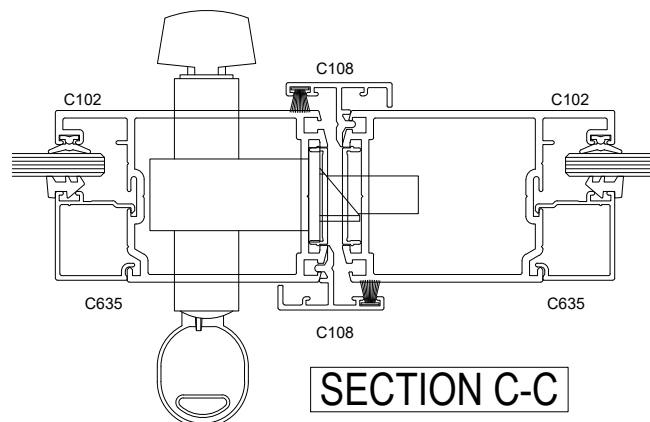
DETAILS SHOWN ARE  
NON-WEATHERED ACCESSIBLE  
SILLS. FOR WEATHERED SILL  
DETAILS PLEASE CONTACT  
FAIRVIEW SYSTEMS LTD.



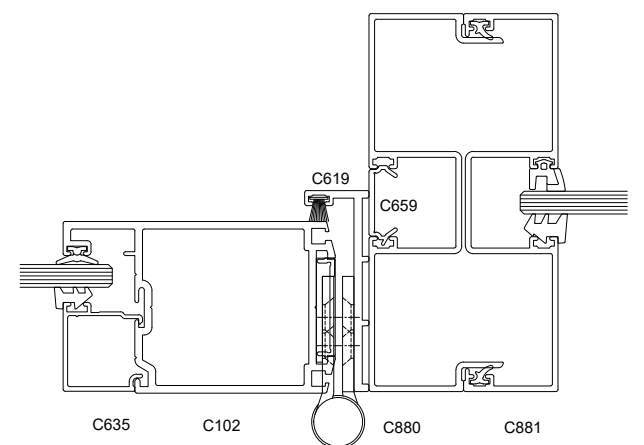
SECTION B-B



SECTION B-B



SECTION C-C



SECTION B-B

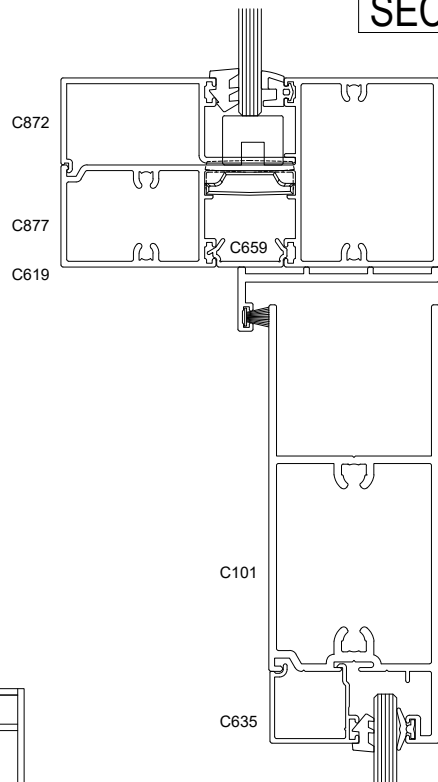
## 100mm CENTRE GLAZE HINGED DOOR OPEN OUT

FAIRVIEW SYSTEMS LIMITED SPECIFIERS GUIDE 2014 © TECHNICAL SPECIFICATIONS & PROFILE DETAILS SUBJECT TO CHANGE WITHOUT NOTICE

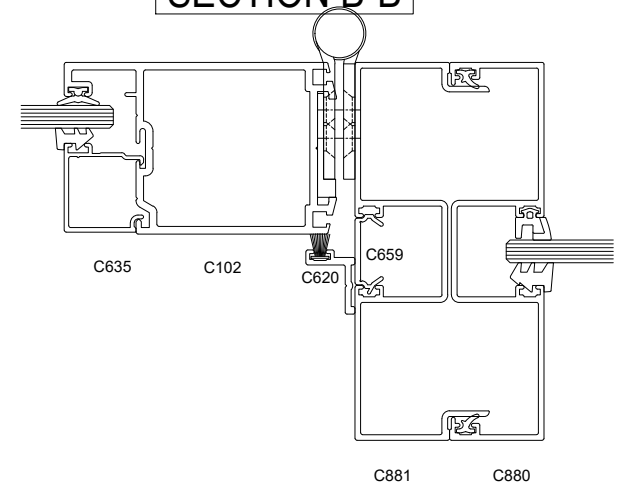
FAIRVIEW 50 COMMERCIAL FULL SUITE

DATE 14.06.2018	SCALE 1:2
REF. CG100.0042	

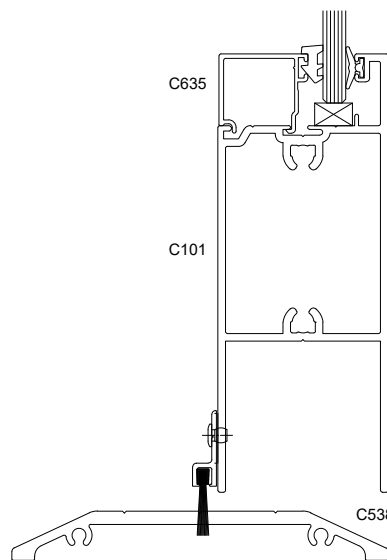
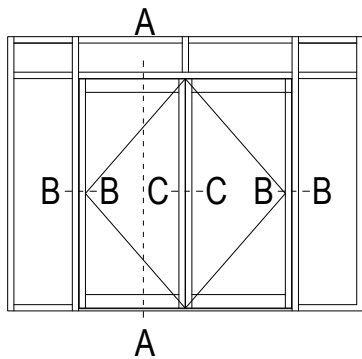
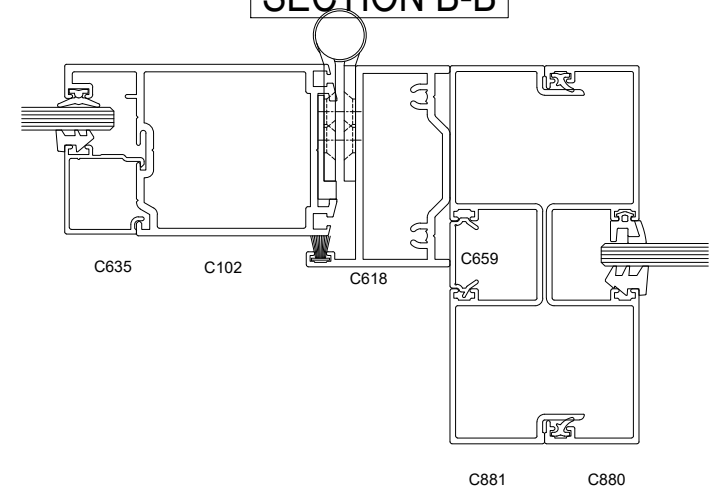
**SECTION A-A**



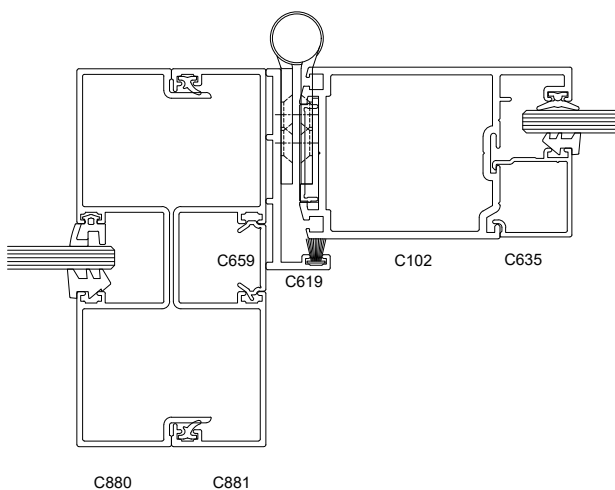
**SECTION B-B**



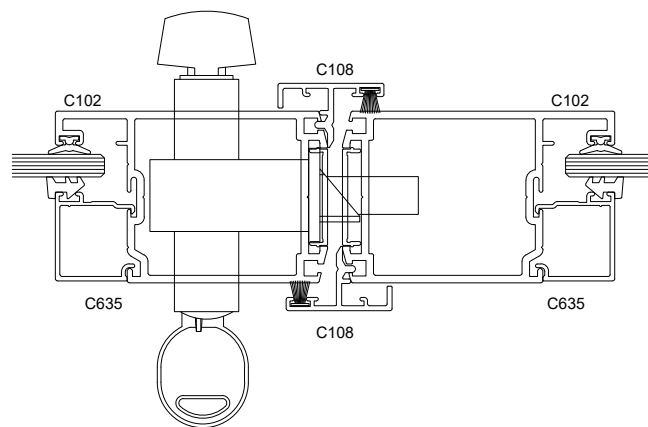
**SECTION B-B**



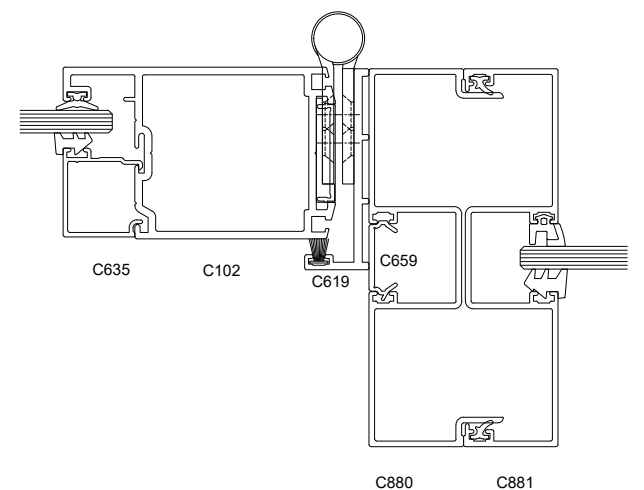
DETAILS SHOWN ARE  
NON-WEATHERED ACCESSIBLE  
SILLS. FOR WEATHERED SILL  
DETAILS PLEASE CONTACT  
FAIRVIEW SYSTEMS LTD.



**SECTION B-B**



**SECTION C-C**



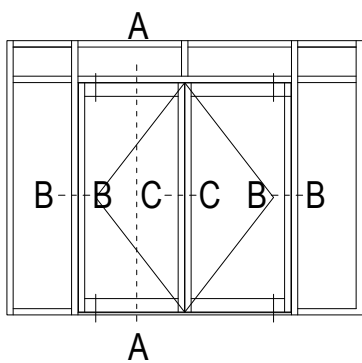
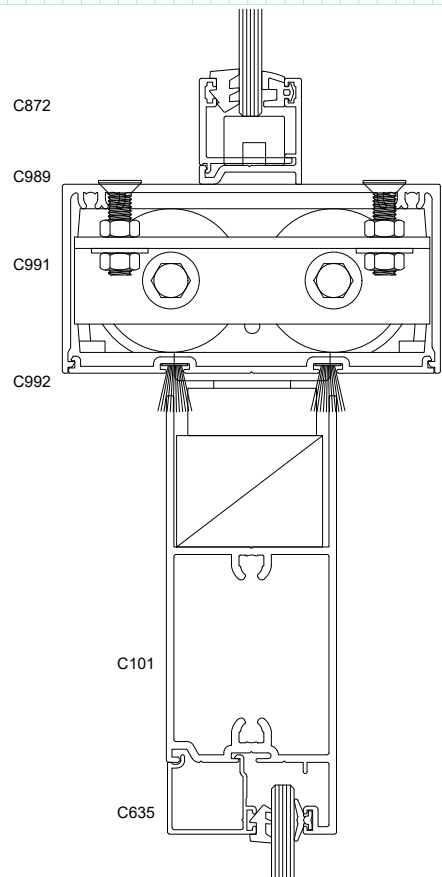
**SECTION B-B**

## 100mm CENTRE GLAZE HINGED DOOR OPEN IN

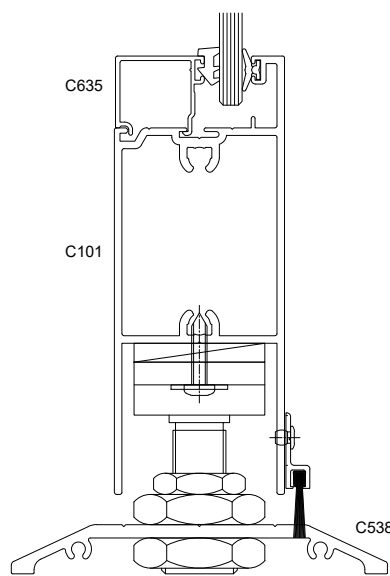
FAIRVIEW SYSTEMS LIMITED SPECIFIERS GUIDE 2014 © TECHNICAL SPECIFICATIONS & PROFILE DETAILS SUBJECT TO CHANGE WITHOUT NOTICE

### FAIRVIEW 50 COMMERCIAL FULL SUITE

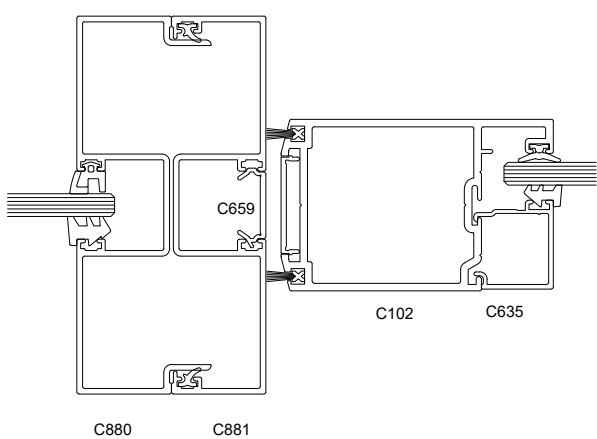
DATE 14.06.2018	SCALE 1:2
REF. CG100.0043	



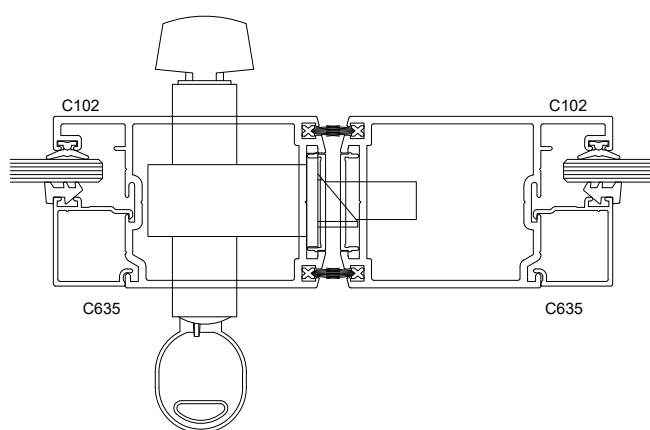
DETAILS SHOWN ARE  
NON-WEATHERED ACCESSIBLE  
SILLS. FOR WEATHERED SILL  
DETAILS PLEASE CONTACT  
FAIRVIEW SYSTEMS LTD.



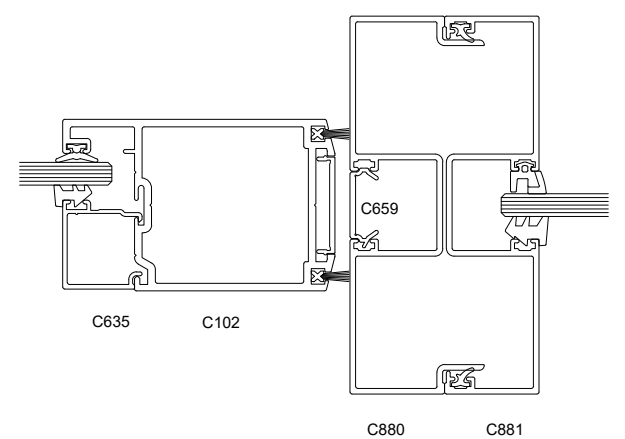
**SECTION A-A**



**SECTION B-B**



**SECTION C-C**



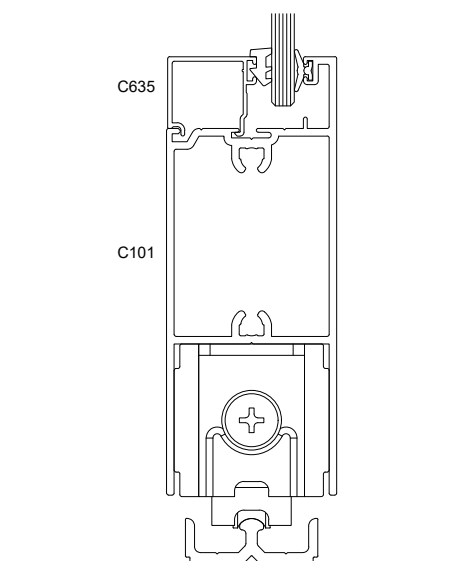
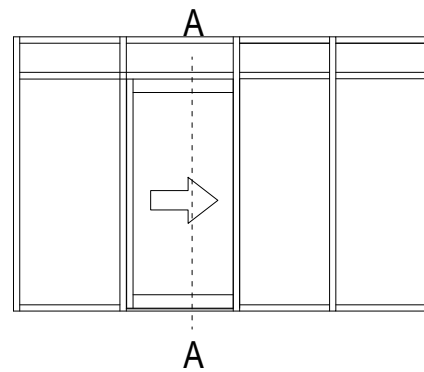
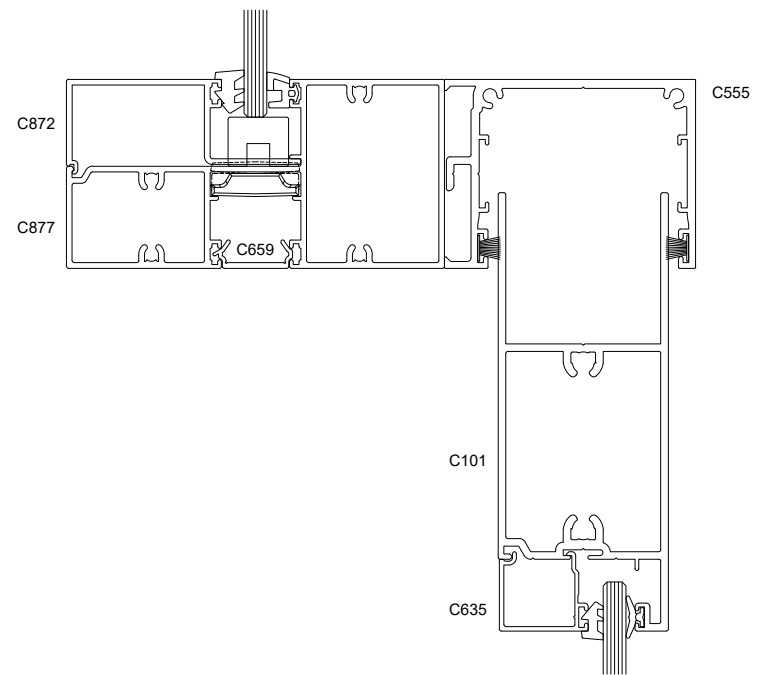
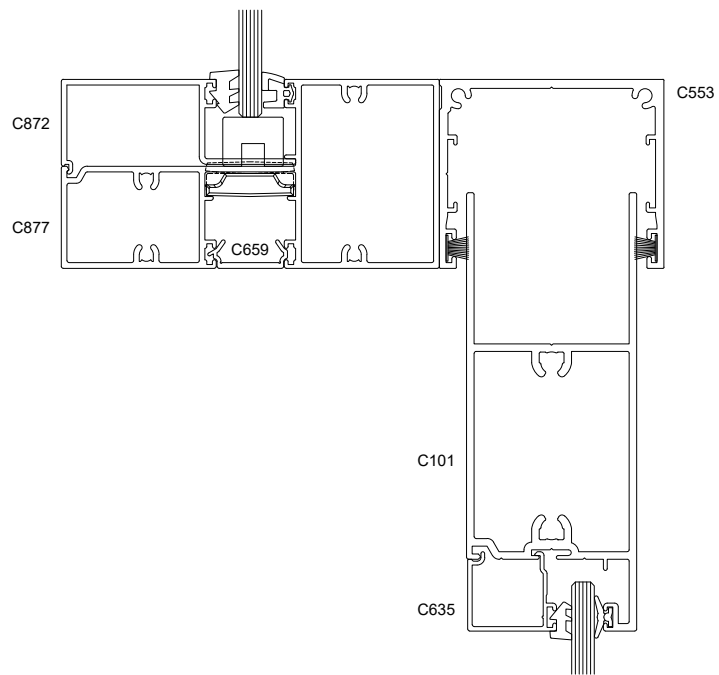
**SECTION B-B**

## 100mm CENTRE GLAZE PIVOT DOOR

FAIRVIEW SYSTEMS LIMITED SPECIFIERS GUIDE 2014 © TECHNICAL SPECIFICATIONS & PROFILE DETAILS SUBJECT TO CHANGE WITHOUT NOTICE

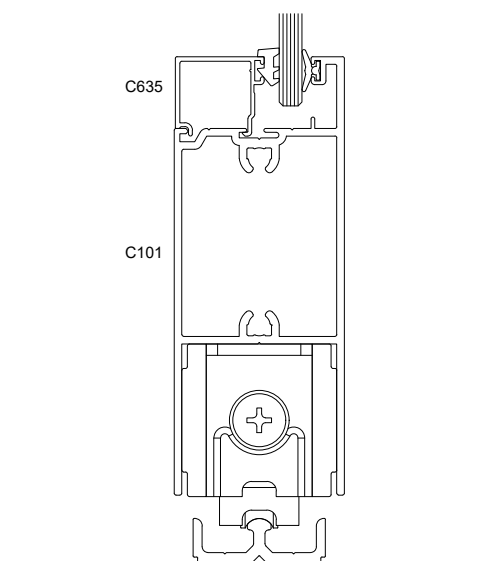
**FAIRVIEW 50 COMMERCIAL FULL SUITE**

DATE 14.06.2018	SCALE 1:2
REF. CG100.0044	



**SECTION A-A**

**NON-INTERLOCKED**



**SECTION A-A**

**INTERLOCKED**

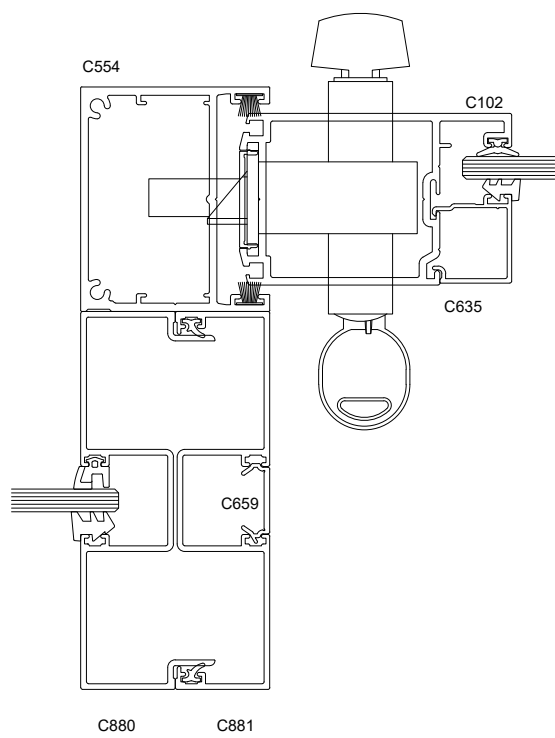
DETAILS SHOWN ARE  
NON-WEATHERED ACCESSIBLE  
SILLS. FOR WEATHERED SILL  
DETAILS PLEASE CONTACT  
FAIRVIEW SYSTEMS LTD.

## 100mm CENTRE GLAZE SLIDING DOOR

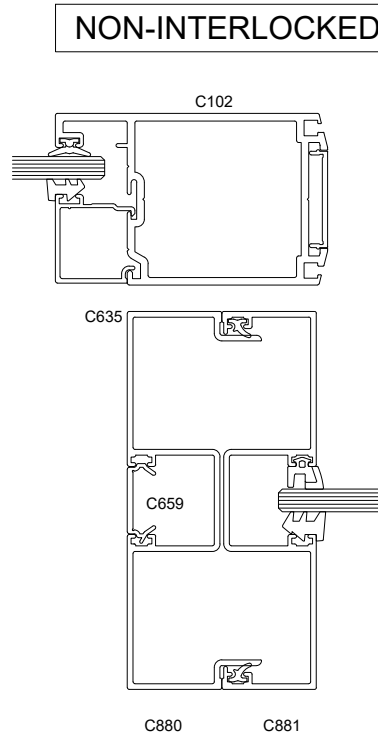
FAIRVIEW SYSTEMS LIMITED SPECIFIERS GUIDE 2014 © TECHNICAL SPECIFICATIONS & PROFILE DETAILS SUBJECT TO CHANGE WITHOUT NOTICE

**FAIRVIEW 50 COMMERCIAL FULL SUITE**

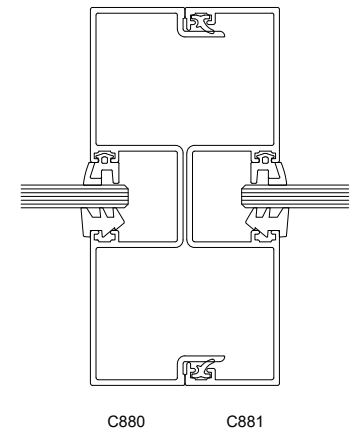
DATE 14.06.2018	SCALE 1:2
REF. CG100.0045	



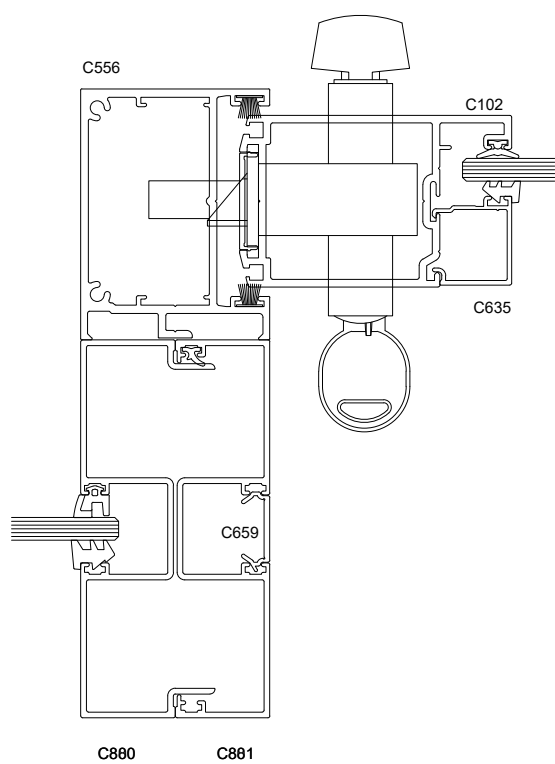
SECTION A-A



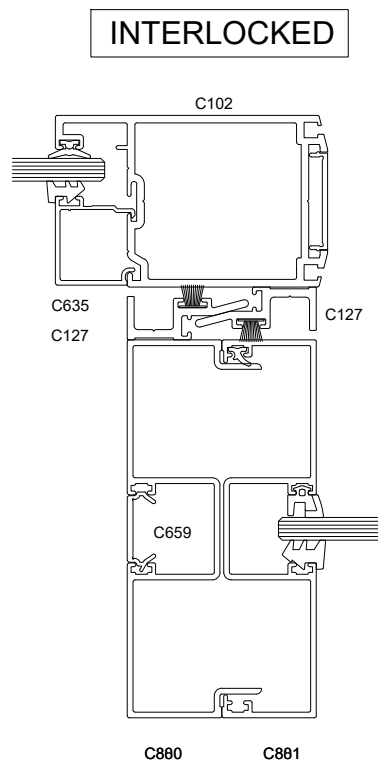
SECTION B-B



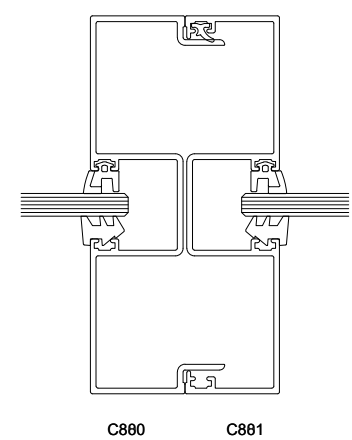
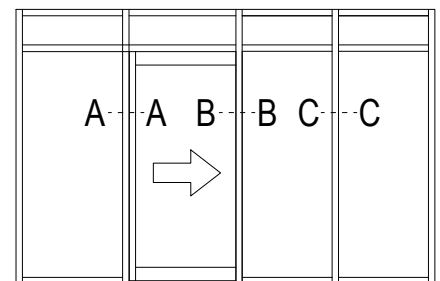
SECTION C-C



SECTION A-A



SECTION B-B



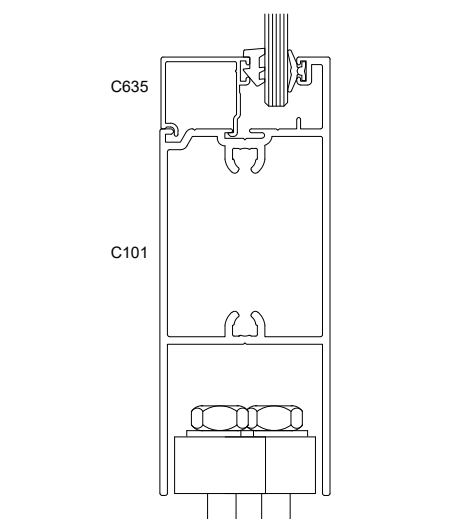
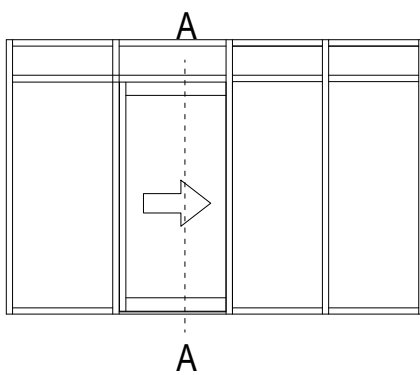
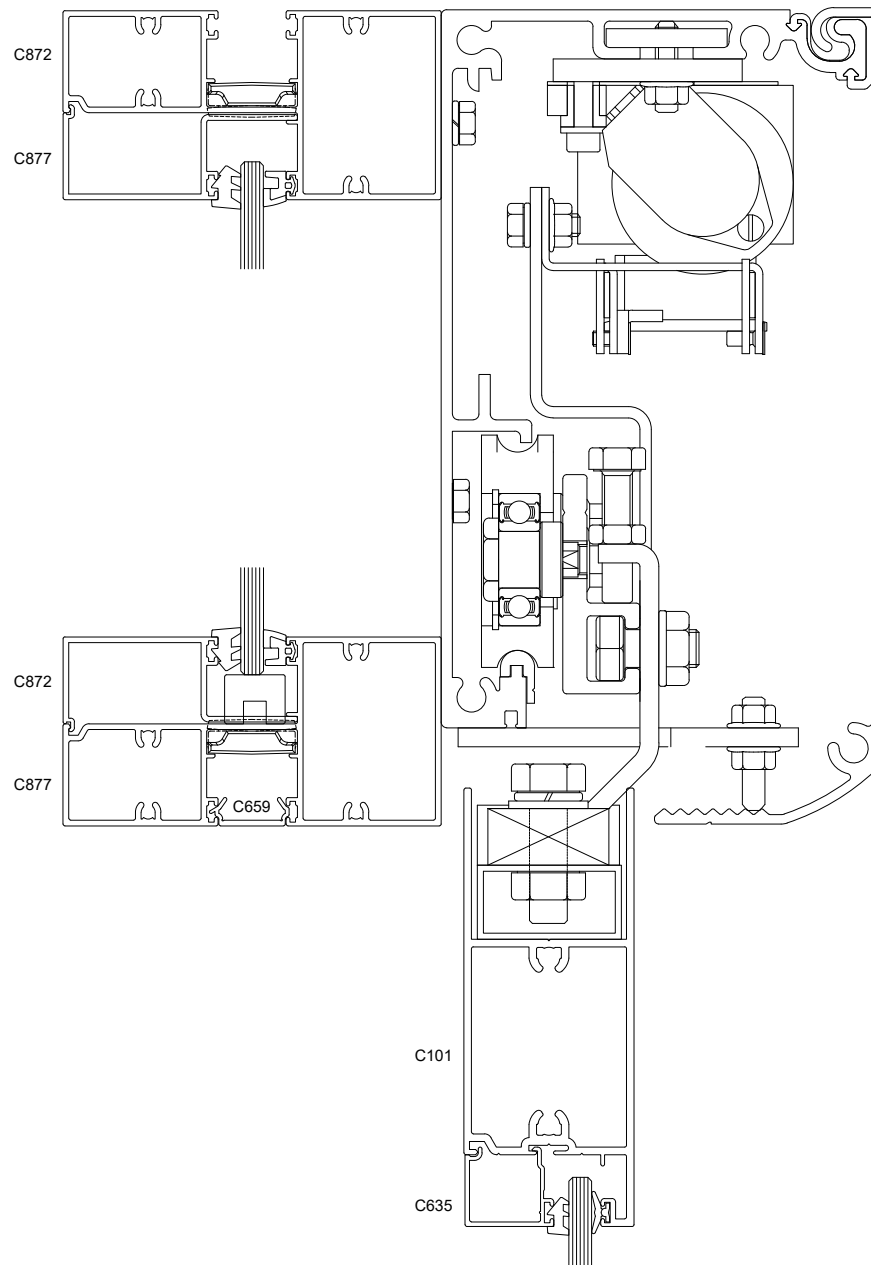
SECTION C-C

## 100mm CENTRE GLAZE SLIDING DOOR

FAIRVIEW SYSTEMS LIMITED SPECIFIERS GUIDE 2014 © TECHNICAL SPECIFICATIONS & PROFILE DETAILS SUBJECT TO CHANGE WITHOUT NOTICE

FAIRVIEW 50 COMMERCIAL FULL SUITE

DATE 14.06.2018	SCALE 1:2
REF. CG100.0046	



**SECTION A-A**

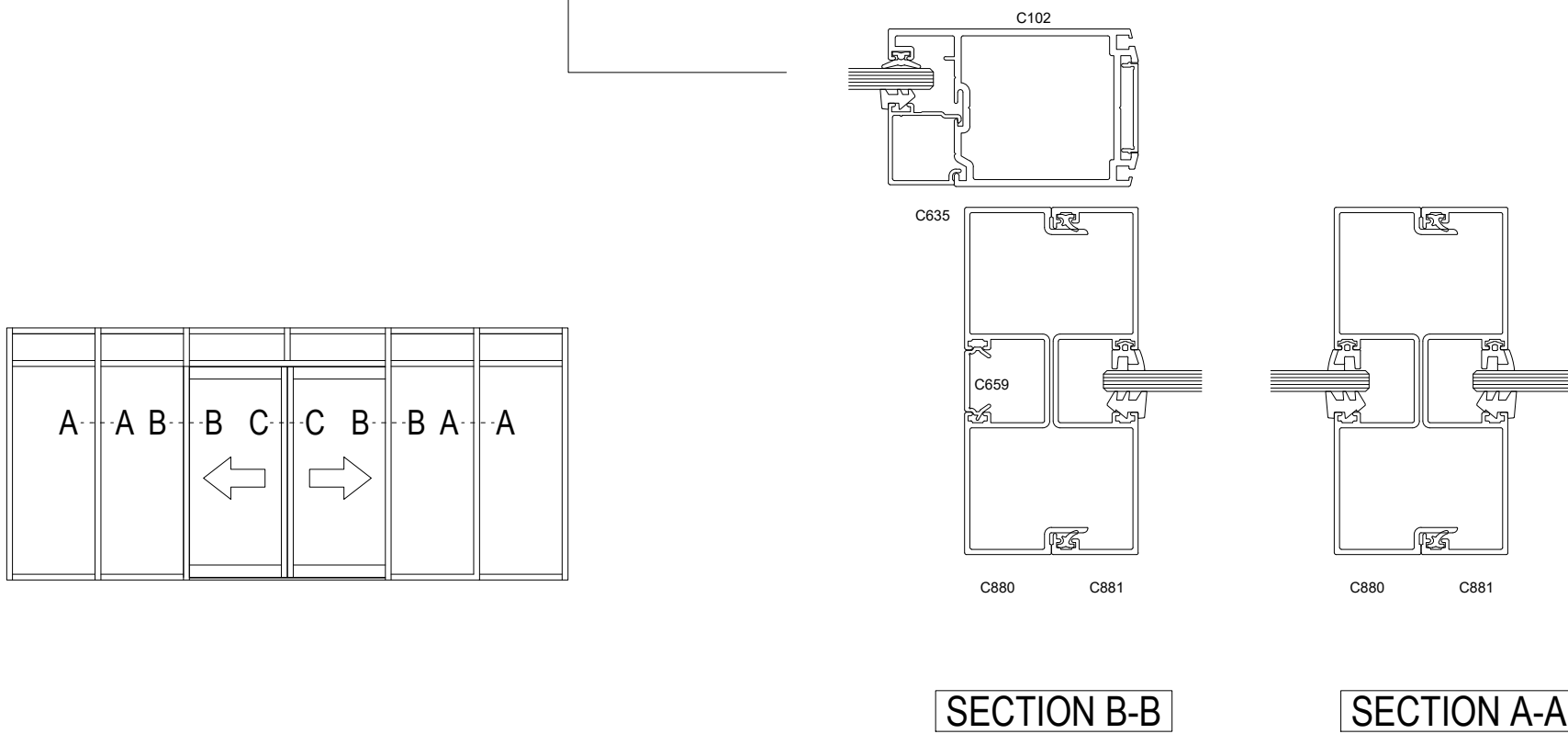
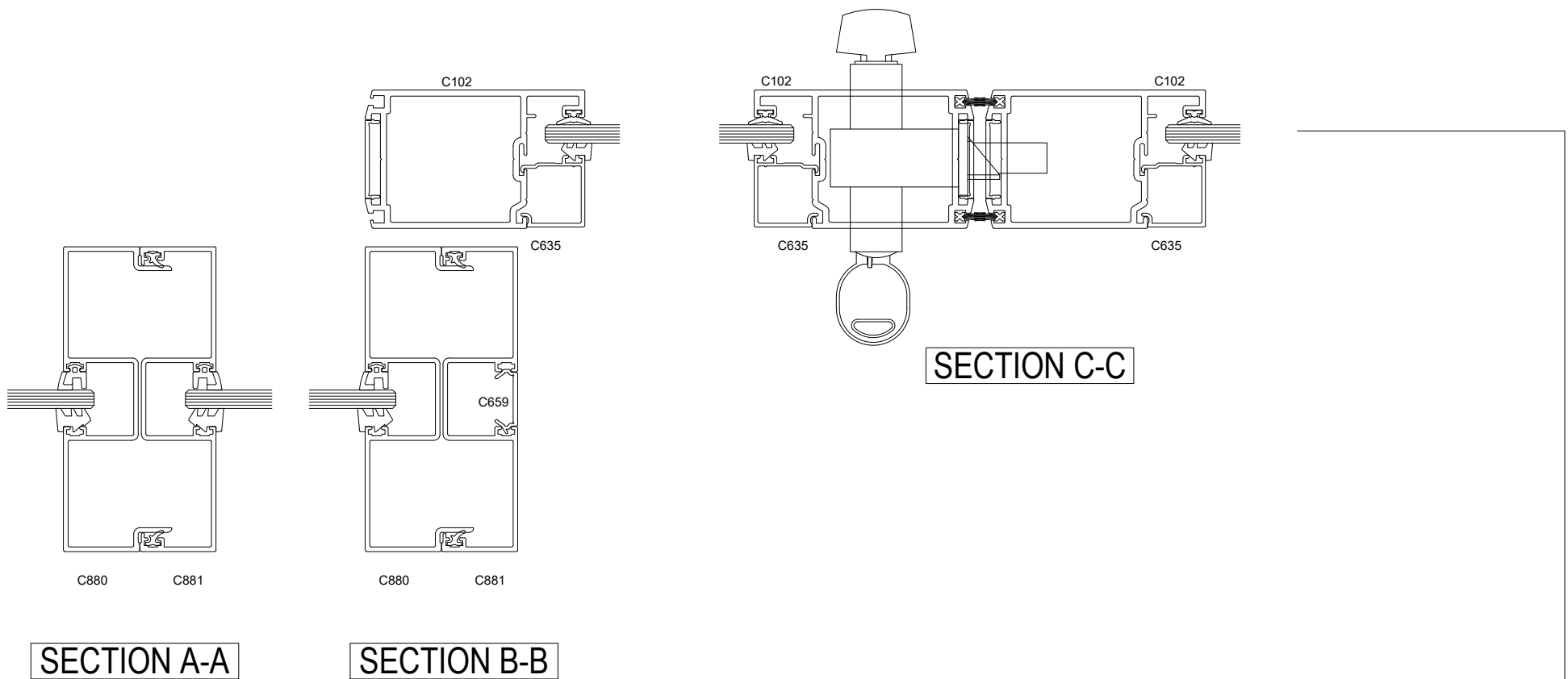
DETAILS SHOWN ARE  
NON-WEATHERED ACCESSIBLE  
SILLS. FOR WEATHERED SILL  
DETAILS PLEASE CONTACT  
FAIRVIEW SYSTEMS LTD.

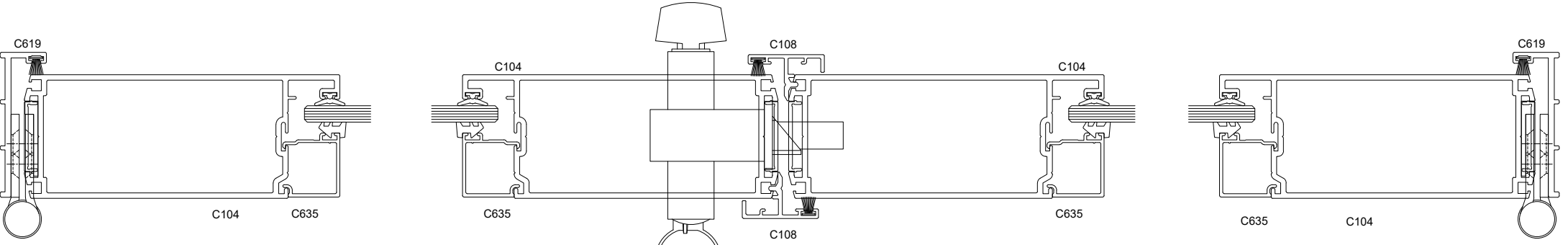
## 100mm CENTRE GLAZE AUTO SLIDING DOOR

FAIRVIEW SYSTEMS LIMITED SPECIFIERS GUIDE 2014 © TECHNICAL SPECIFICATIONS & PROFILE DETAILS SUBJECT TO CHANGE WITHOUT NOTICE

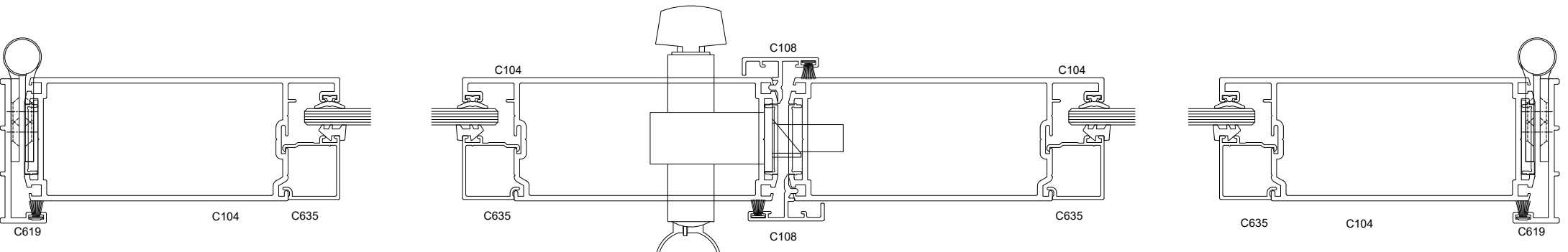
**FAIRVIEW 50 COMMERCIAL FULL SUITE**

DATE 14.06.2018	SCALE 1:2
REF. CG100.0047	

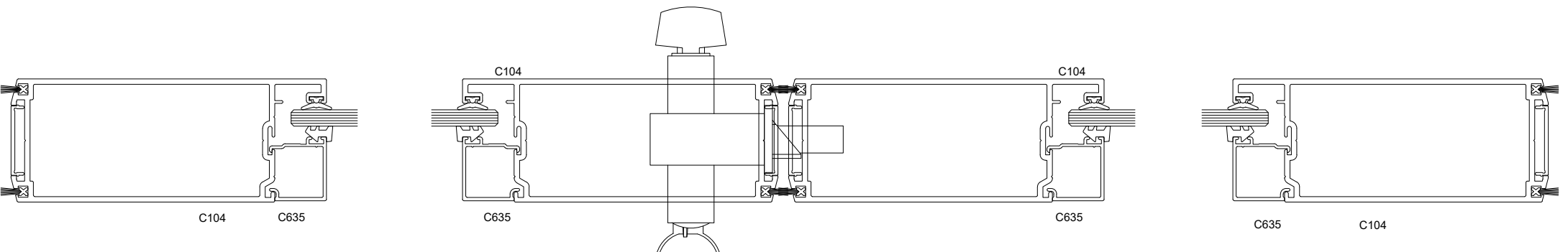




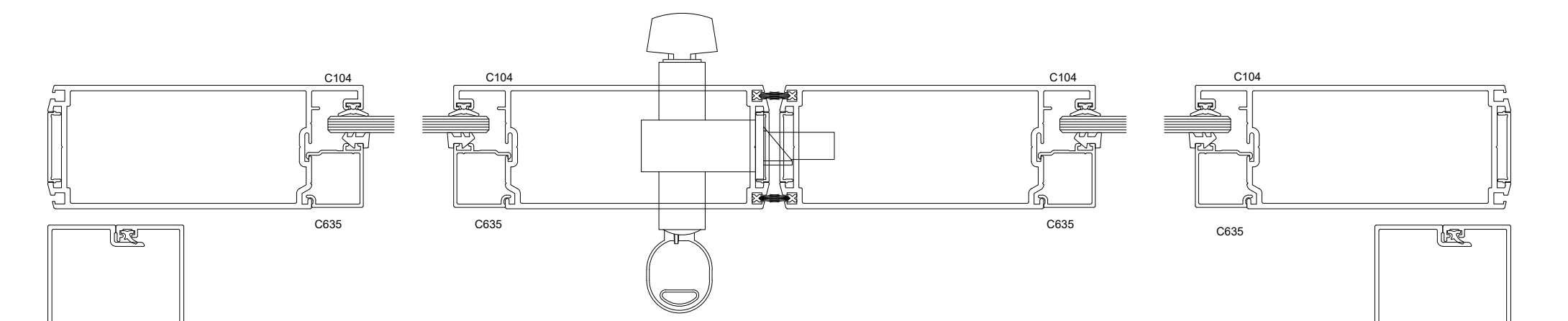
OPEN OUT DOOR PANELS



OPEN IN DOOR PANELS



PIVOT DOOR PANELS



SLIDING DOOR PANELS

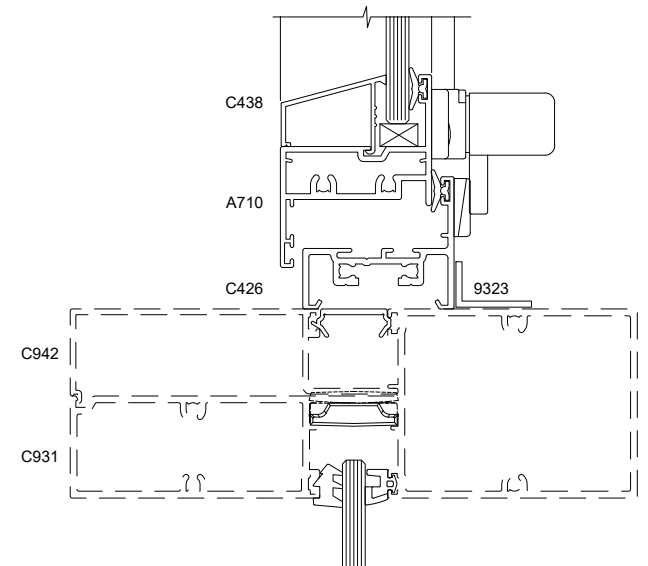
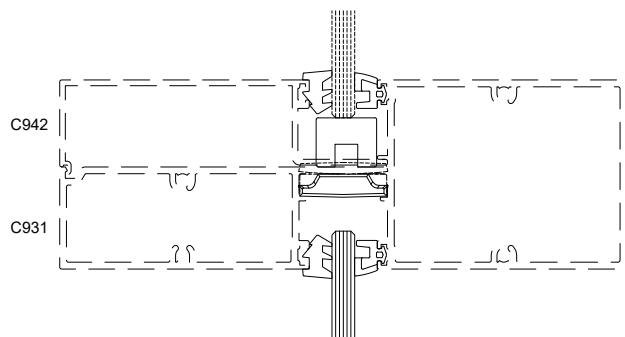
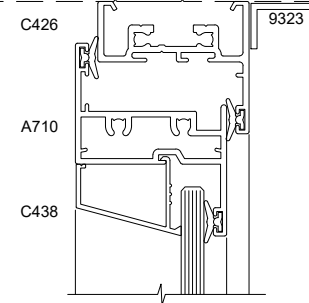
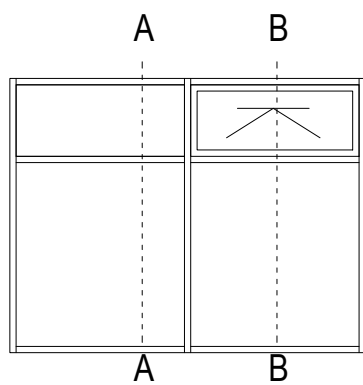
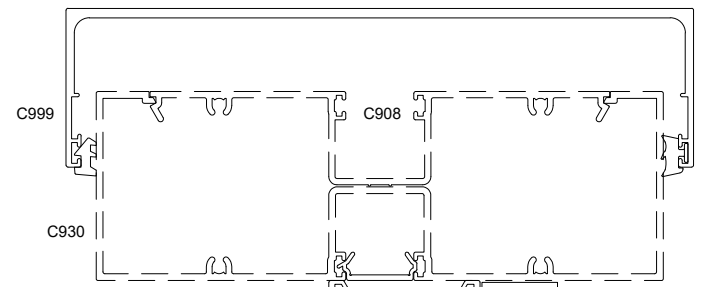
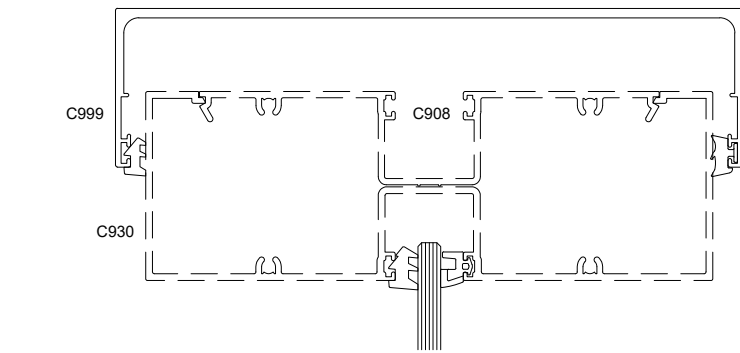
## 100mm CENTRE GLAZE WIDE DOOR STILES

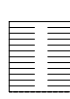
FAIRVIEW SYSTEMS LIMITED SPECIFIERS GUIDE 2014 © TECHNICAL SPECIFICATIONS & PROFILE DETAILS SUBJECT TO CHANGE WITHOUT NOTICE

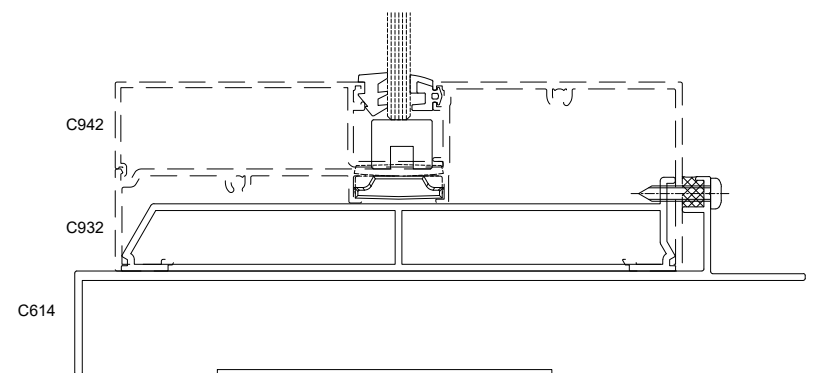
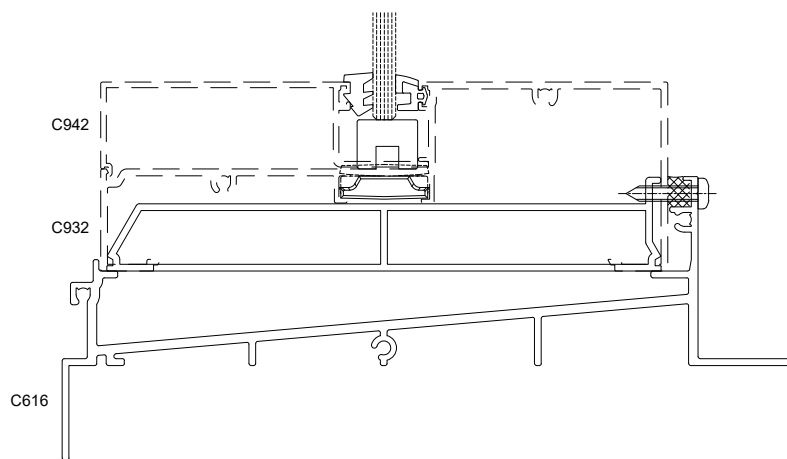
### FAIRVIEW 50 COMMERCIAL FULL SUITE

DATE 14.06.2018	SCALE 1:2
REF. CG100.0049	





 PROFILES SHOWN IN DASHED LINES ARE SUBJECT TO SPECIAL ORDER ONLY, CONSULT FAIRVIEW SYSTEMS FOR INFO



ALTERNATIVE SILL

SECTION A-A

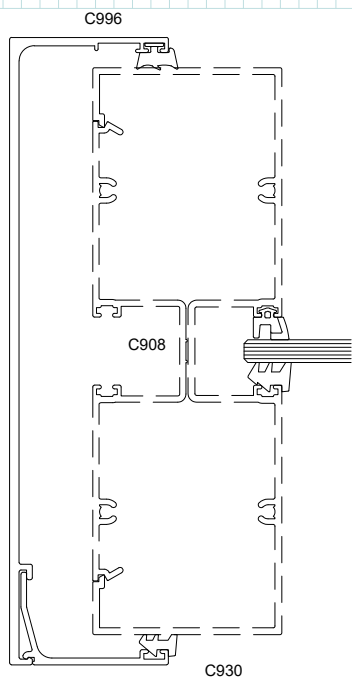
SECTION B-B

## 150mm CENTRE GLAZE FIXED GLAZING WINDOW

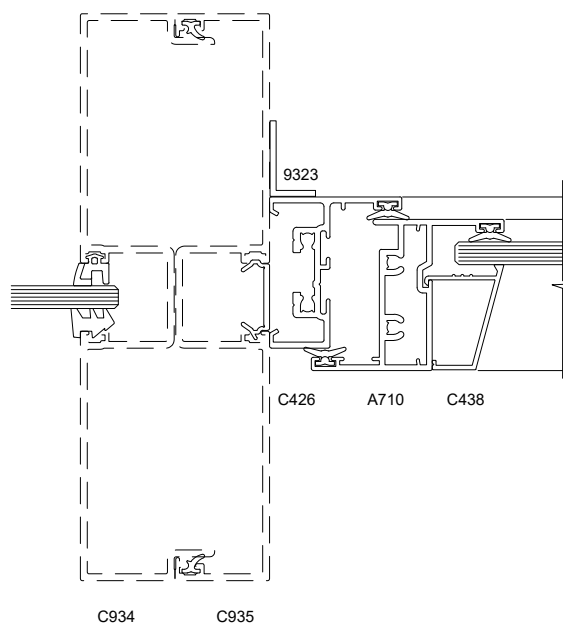
FAIRVIEW SYSTEMS LIMITED SPECIFIERS GUIDE 2014 © TECHNICAL SPECIFICATIONS & PROFILE DETAILS SUBJECT TO CHANGE WITHOUT NOTICE

FAIRVIEW 50 COMMERCIAL FULL SUITE

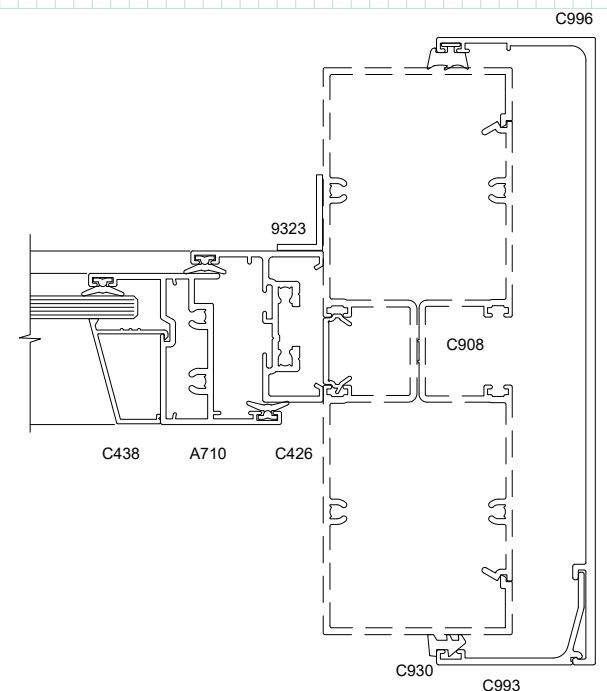
DATE 14.06.2018	SCALE 1:2
REF. CG150.0050	



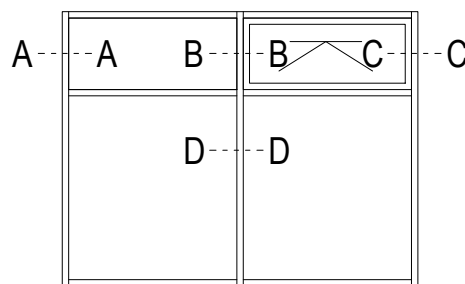
**SECTION A-A**




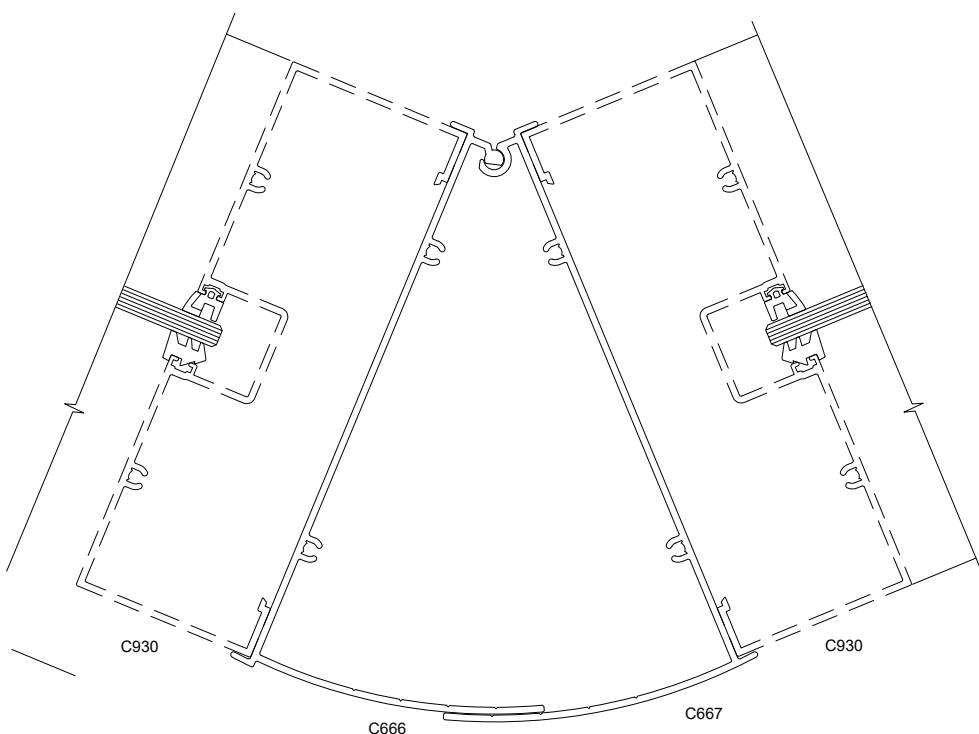
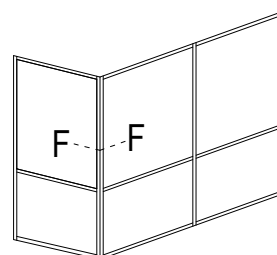
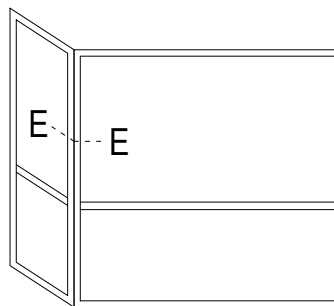
**SECTION B-B**



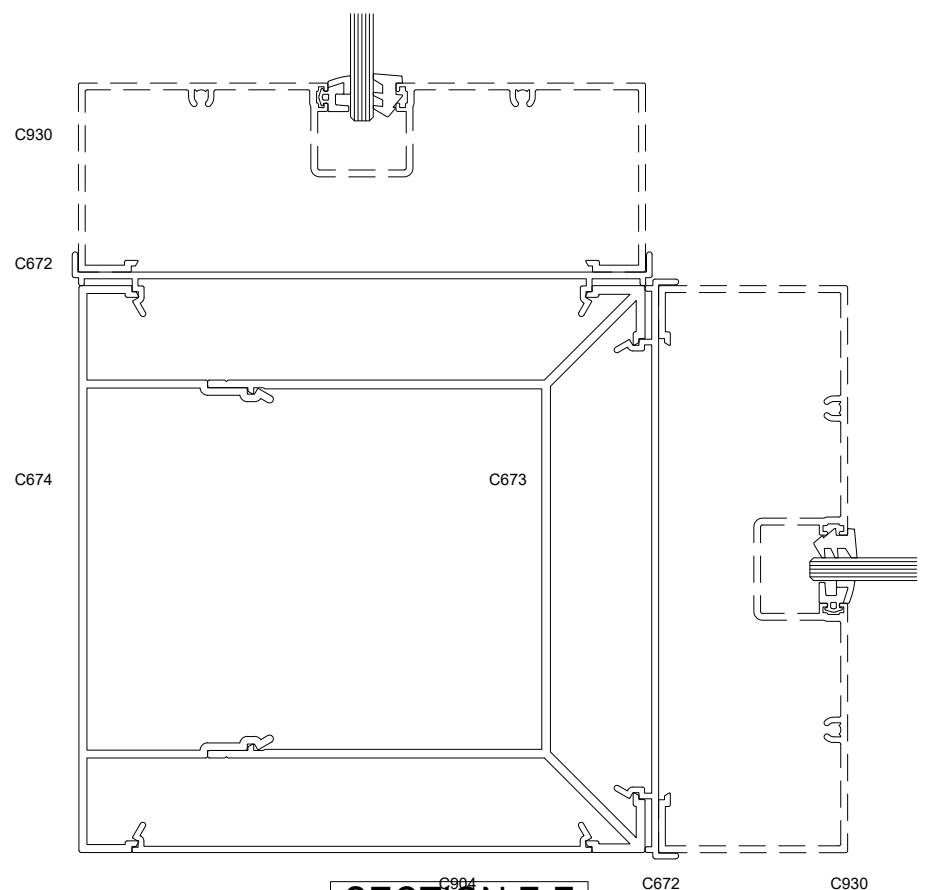
**SECTION C-C**



 PROFILES SHOWN IN DASHED LINES ARE SUBJECT TO SPECIAL ORDER ONLY, CONSULT FAIRVIEW SYSTEMS FOR INFO



**SECTION E-E**



**SECTION F-F**

## 150mm CENTRE GLAZE FIXED GLAZING WINDOW

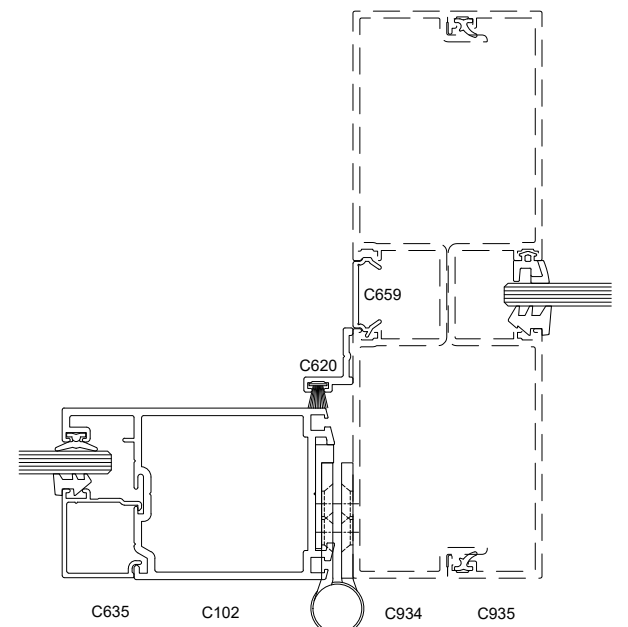
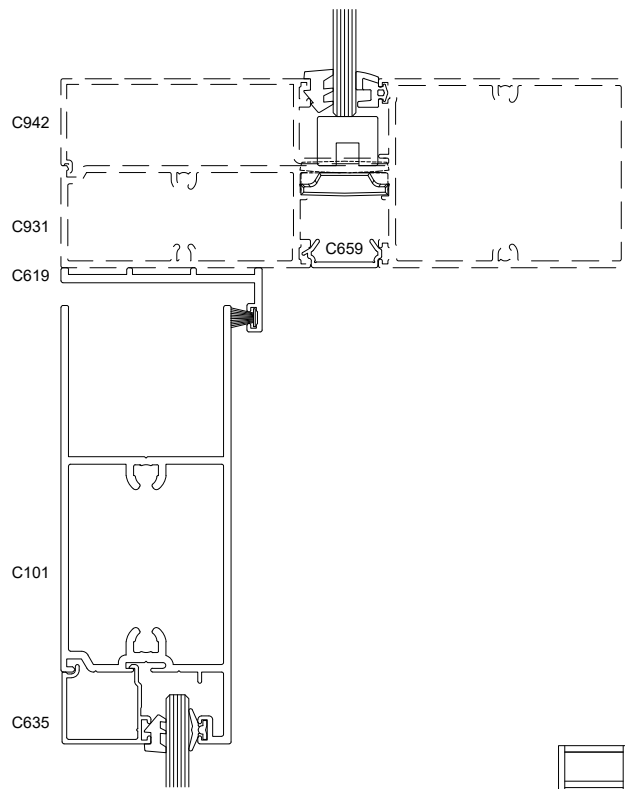
FAIRVIEW SYSTEMS LIMITED SPECIFIERS GUIDE 2014 © TECHNICAL SPECIFICATIONS & PROFILE DETAILS SUBJECT TO CHANGE WITHOUT NOTICE

**FAIRVIEW 50 COMMERCIAL FULL SUITE**

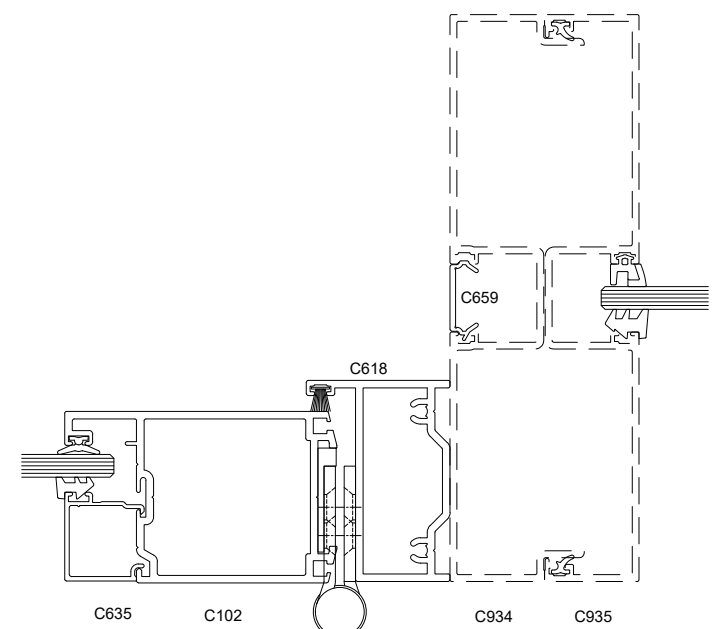
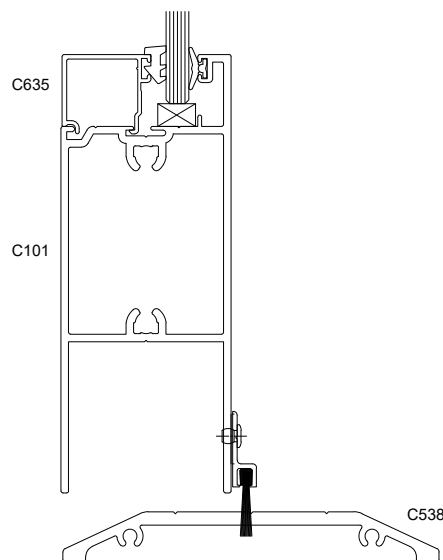
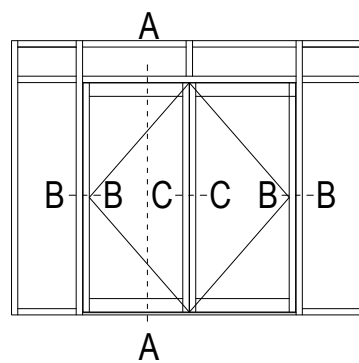
DATE  
14.06.2018

SCALE  
1:2

REF. CG150.0051



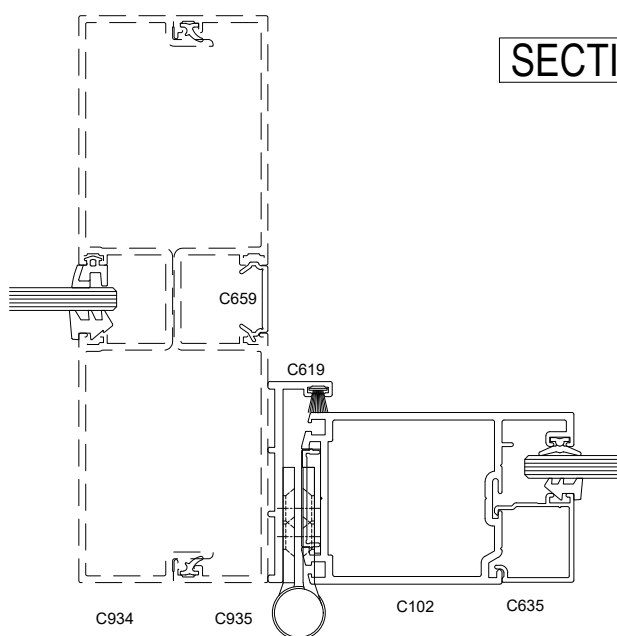
SECTION B-B



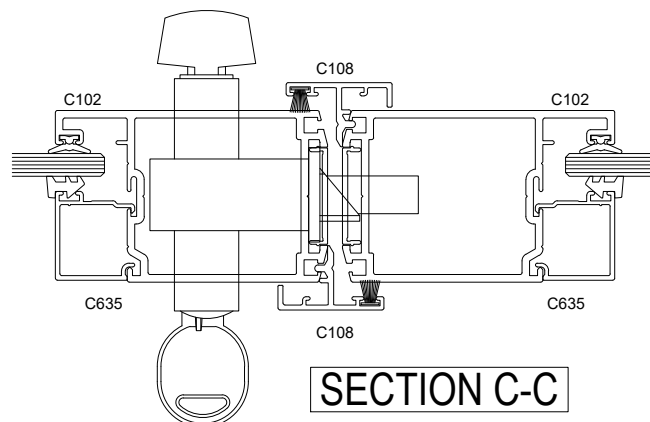
SECTION B-B

DETAILS SHOWN ARE NON-WEATHERED ACCESSIBLE SILLS. FOR WEATHERED SILL DETAILS PLEASE CONTACT FAIRVIEW SYSTEMS LTD.

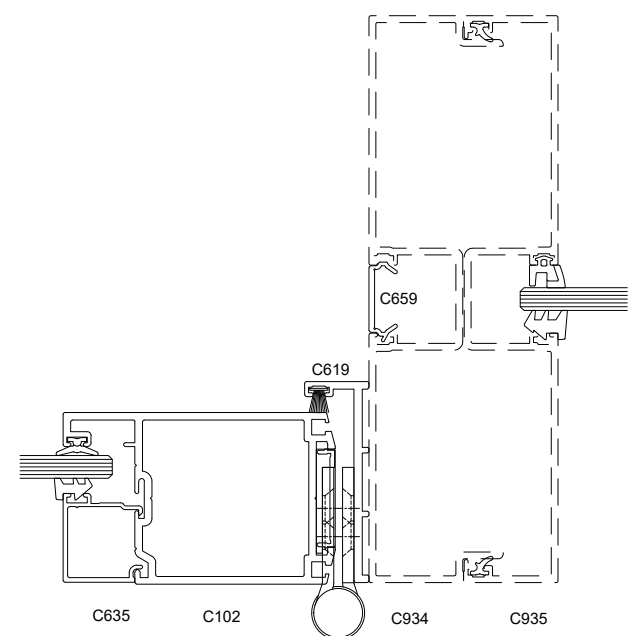
SECTION A-A



SECTION B-B



SECTION C-C



SECTION B-B

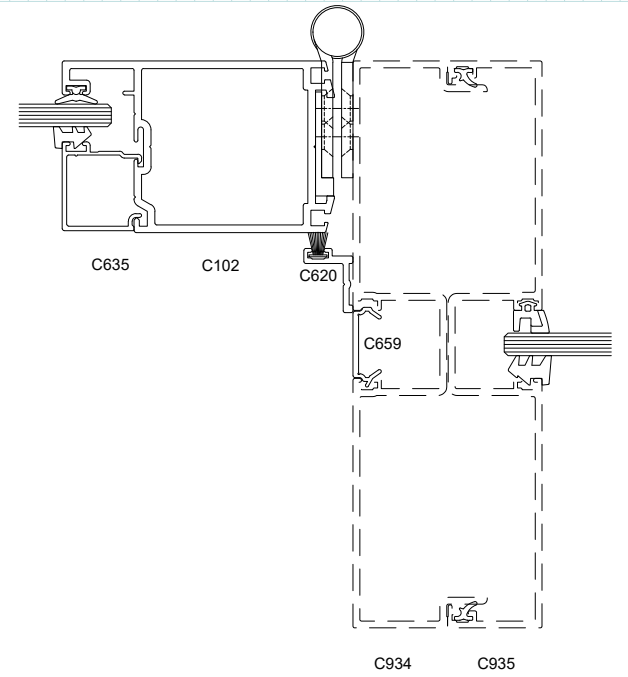
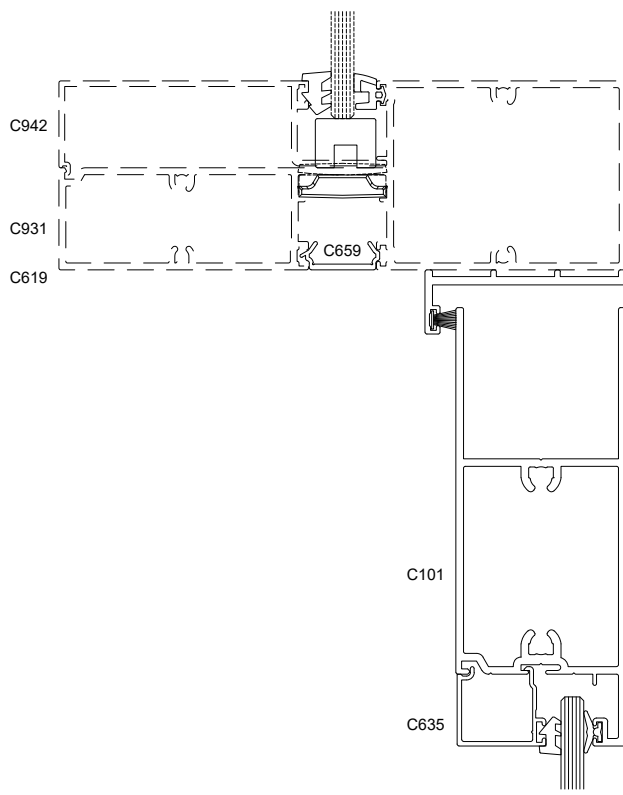
PROFILES SHOWN IN DASHED LINES ARE SUBJECT TO SPECIAL ORDER ONLY, CONSULT FAIRVIEW SYSTEMS FOR INFO

## 150mm CENTRE GLAZE HINGED DOOR OPEN OUT

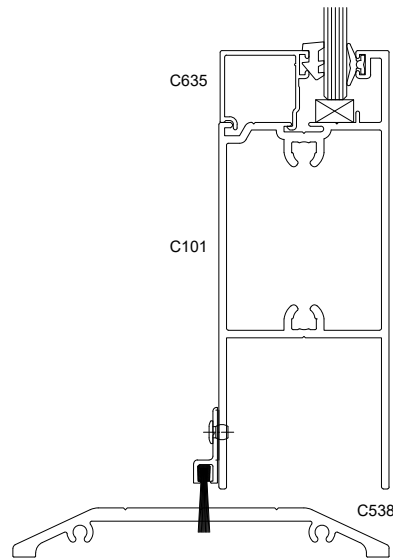
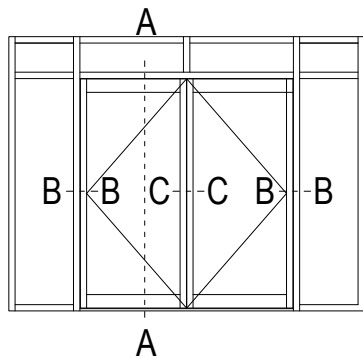
FAIRVIEW SYSTEMS LIMITED SPECIFIERS GUIDE 2014 © TECHNICAL SPECIFICATIONS & PROFILE DETAILS SUBJECT TO CHANGE WITHOUT NOTICE

### FAIRVIEW 50 COMMERCIAL FULL SUITE

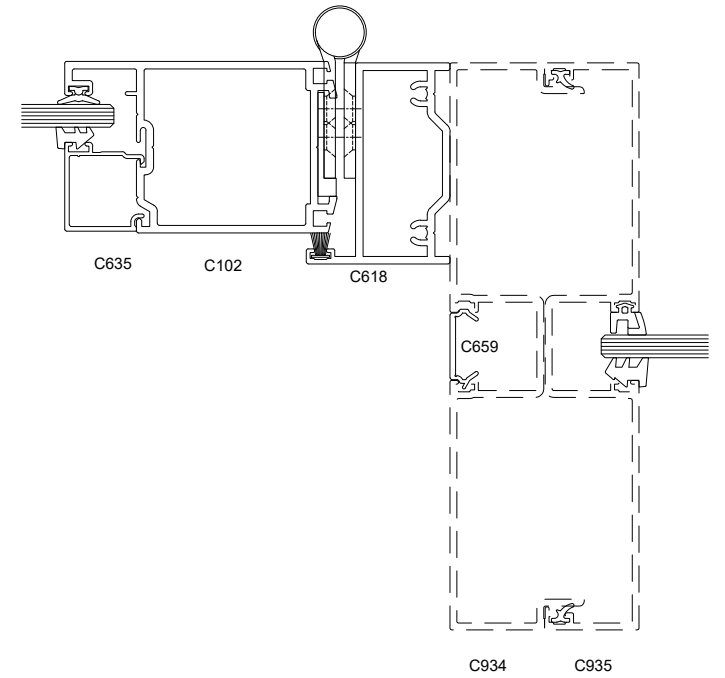
DATE 14.06.2018	SCALE 1:2
REF. CG150.0052	



**SECTION B-B**

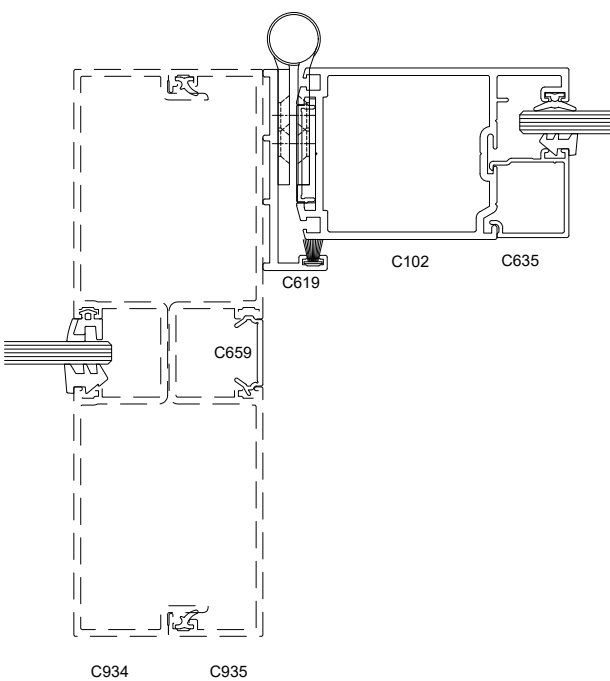


**SECTION A-A**

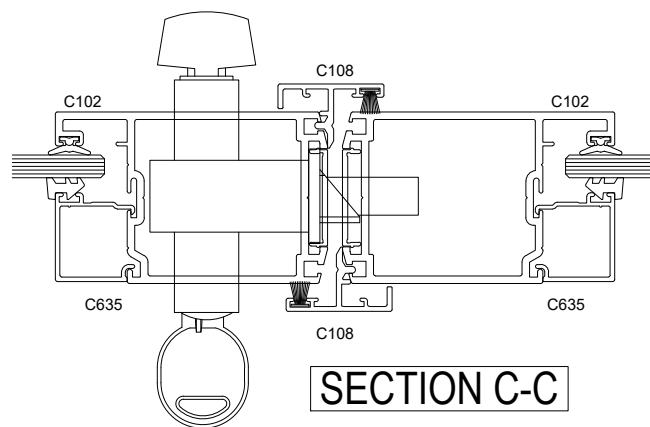


**SECTION B-B**

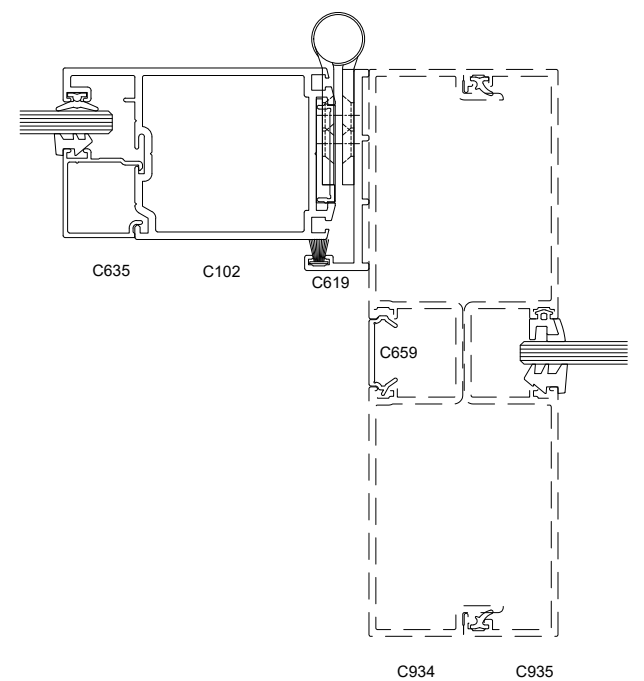
DETAILS SHOWN ARE NON-WEATHERED ACCESSIBLE SILLS. FOR WEATHERED SILL DETAILS PLEASE CONTACT FAIRVIEW SYSTEMS LTD.



**SECTION B-B**



**SECTION C-C**



**SECTION B-B**

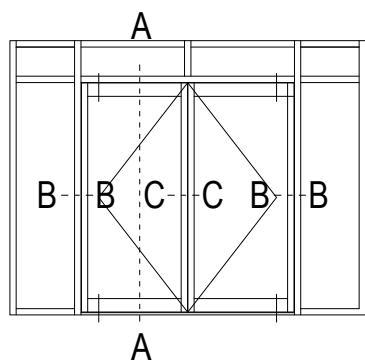
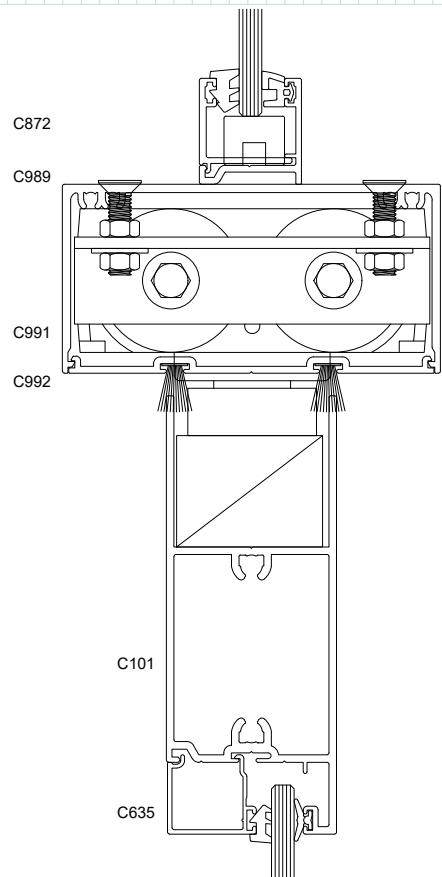
PROFILES SHOWN IN DASHED LINES ARE SUBJECT TO SPECIAL ORDER ONLY, CONSULT FAIRVIEW SYSTEMS FOR INFO

## 150mm CENTRE GLAZE HINGED DOOR OPEN IN

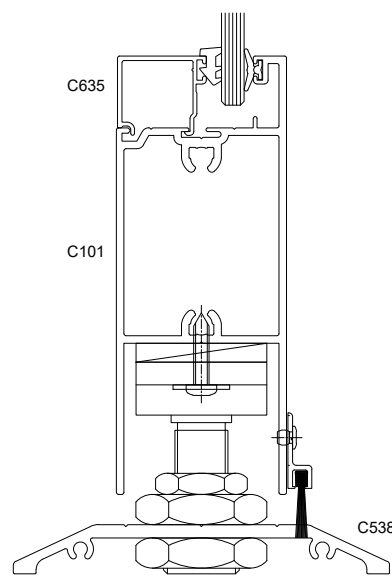
FAIRVIEW SYSTEMS LIMITED SPECIFIERS GUIDE 2014 © TECHNICAL SPECIFICATIONS & PROFILE DETAILS SUBJECT TO CHANGE WITHOUT NOTICE

### FAIRVIEW 50 COMMERCIAL FULL SUITE

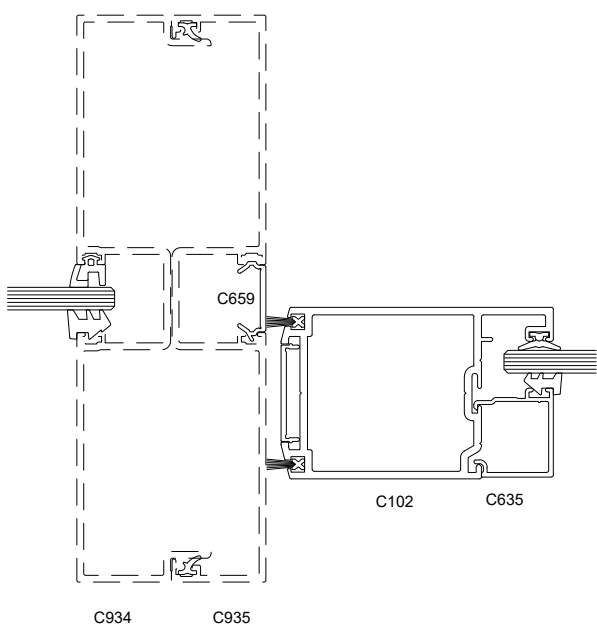
DATE 14.06.2018	SCALE 1:2
REF. CG150.0053	



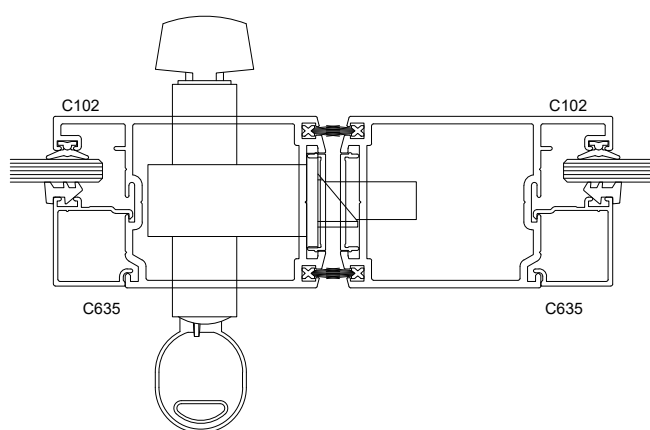
DETAILS SHOWN ARE  
NON-WEATHERED ACCESSIBLE  
SILLS. FOR WEATHERED SILL  
DETAILS PLEASE CONTACT  
FAIRVIEW SYSTEMS LTD.



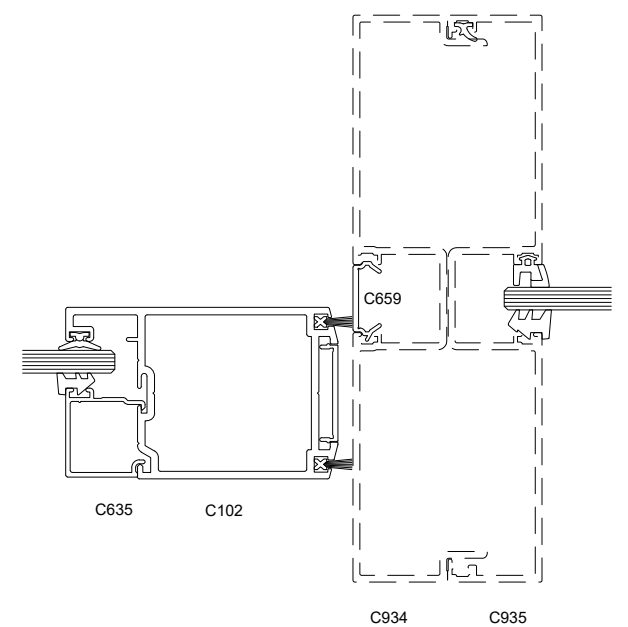
**SECTION A-A**



**SECTION B-B**



**SECTION C-C**



**SECTION B-B**


PROFILES SHOWN IN DASHED LINES ARE  
SUBJECT TO SPECIAL ORDER ONLY,  
CONSULT FAIRVIEW SYSTEMS FOR INFO

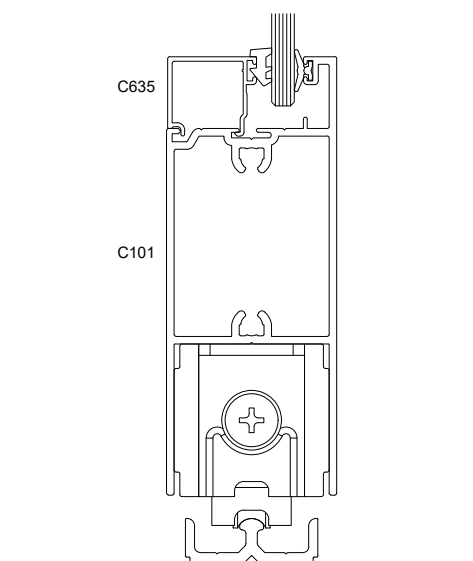
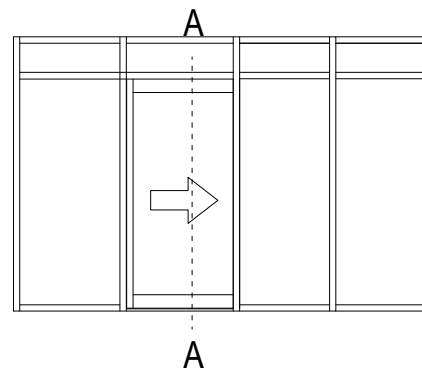
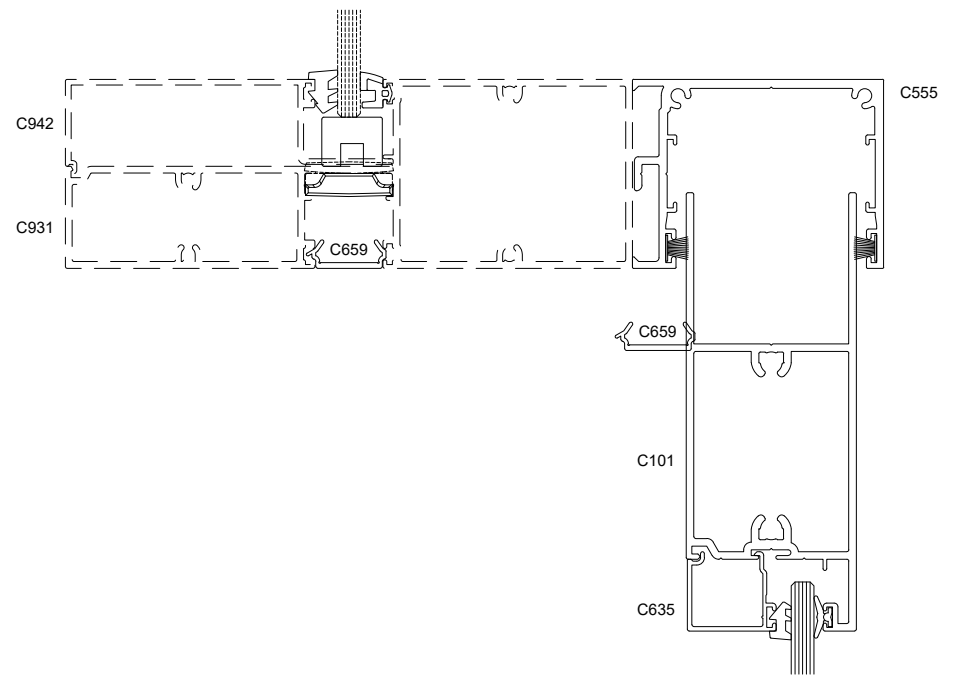
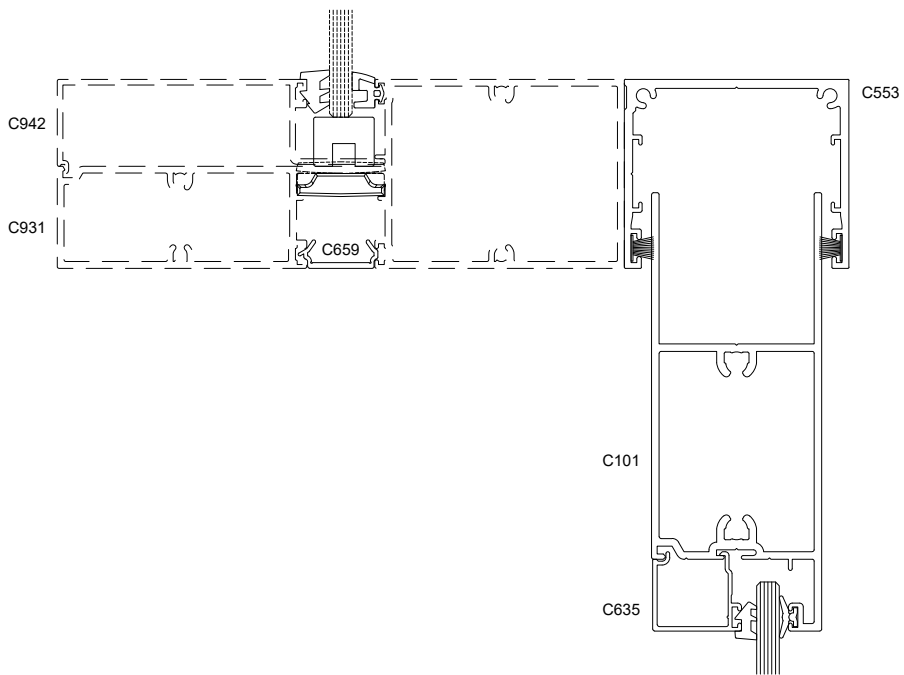
## 150mm CENTRE GLAZE PIVOT DOOR

FAIRVIEW SYSTEMS LIMITED SPECIFIERS GUIDE 2014 © TECHNICAL SPECIFICATIONS & PROFILE DETAILS SUBJECT TO CHANGE WITHOUT NOTICE

**FAIRVIEW 50 COMMERCIAL FULL SUITE**

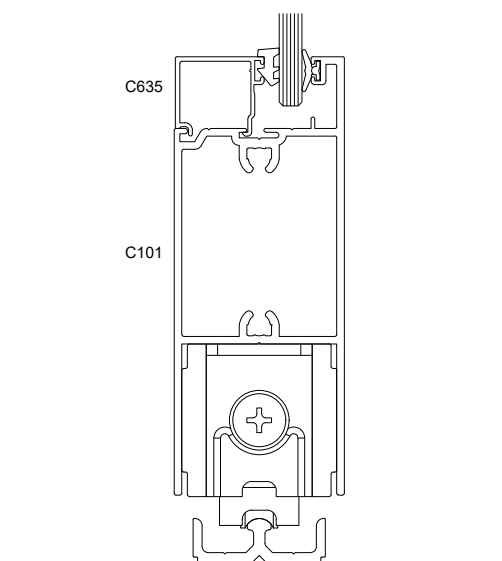
DATE 14.06.2018	SCALE 1:2
REF. CG150.0054	

 PROFILES SHOWN IN DASHED LINES ARE SUBJECT TO SPECIAL ORDER ONLY, CONSULT FAIRVIEW SYSTEMS FOR INFO



**SECTION A-A**

**NON-INTERLOCKED**



**SECTION A-A**

**INTERLOCKED**

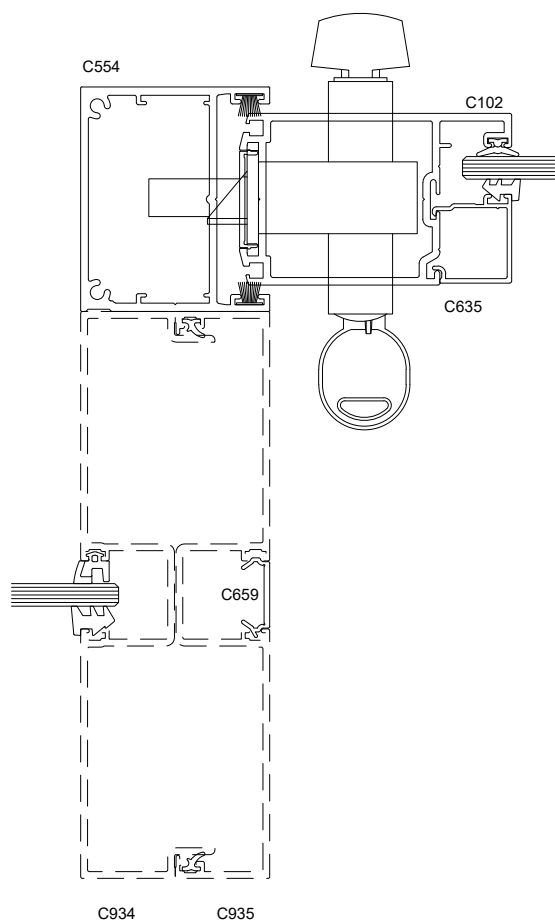
DETAILS SHOWN ARE NON-WEATHERED ACCESSIBLE SILLS. FOR WEATHERED SILL DETAILS PLEASE CONTACT FAIRVIEW SYSTEMS LTD.

## 150mm CENTRE GLAZE SLIDING DOOR

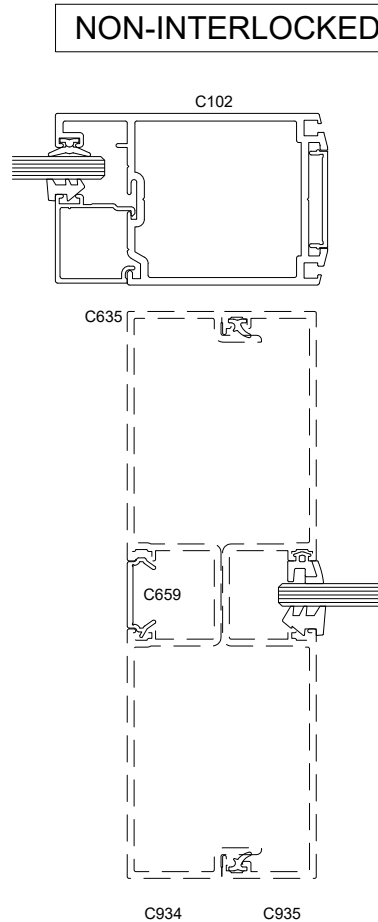
FAIRVIEW SYSTEMS LIMITED SPECIFIERS GUIDE 2014 © TECHNICAL SPECIFICATIONS & PROFILE DETAILS SUBJECT TO CHANGE WITHOUT NOTICE

**FAIRVIEW 50 COMMERCIAL FULL SUITE**

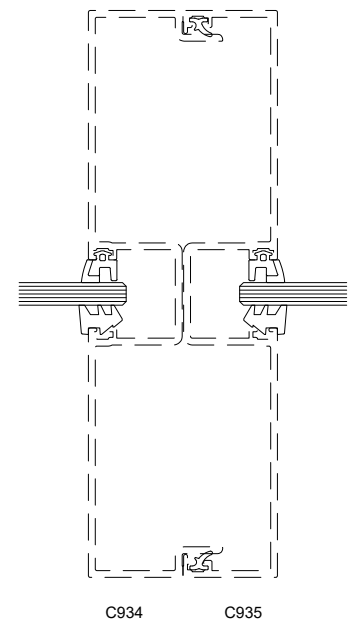
DATE 14.06.2018	SCALE 1:2
REF. CG150.0055	



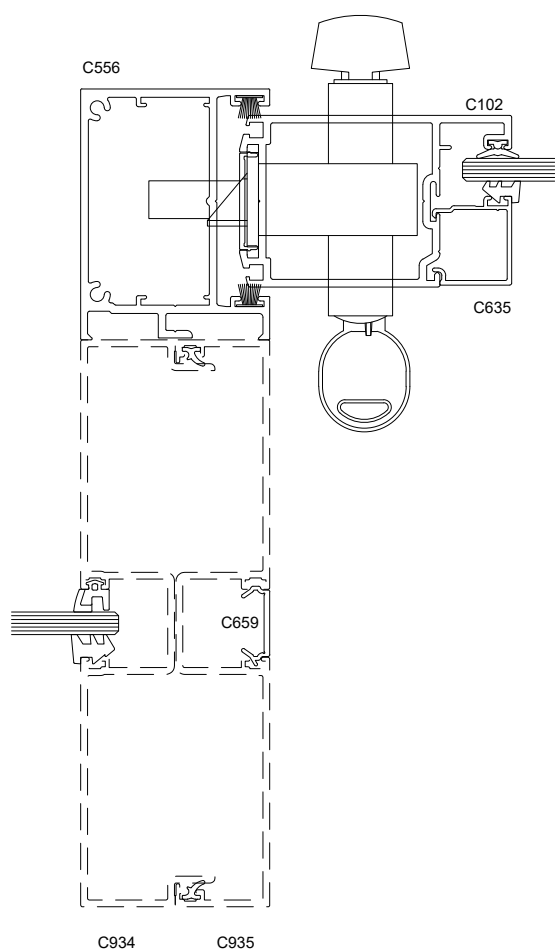
SECTION A-A



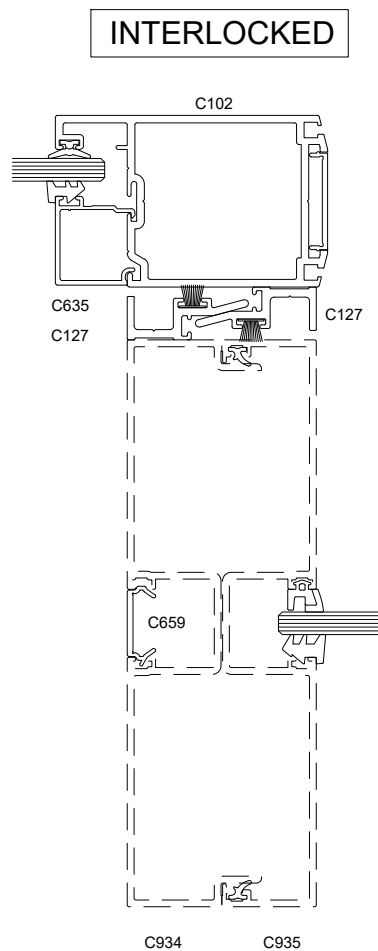
SECTION B-B



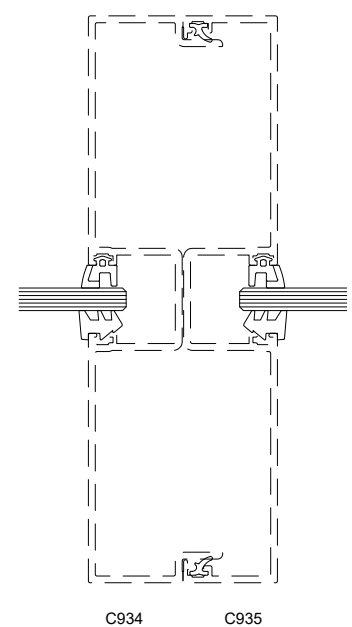
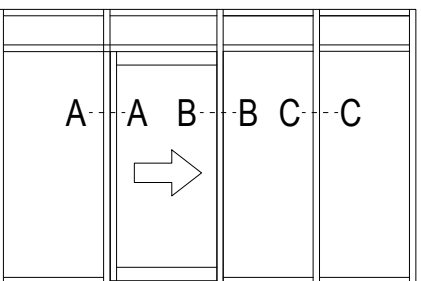
SECTION C-C



SECTION A-A



SECTION B-B



SECTION C-C

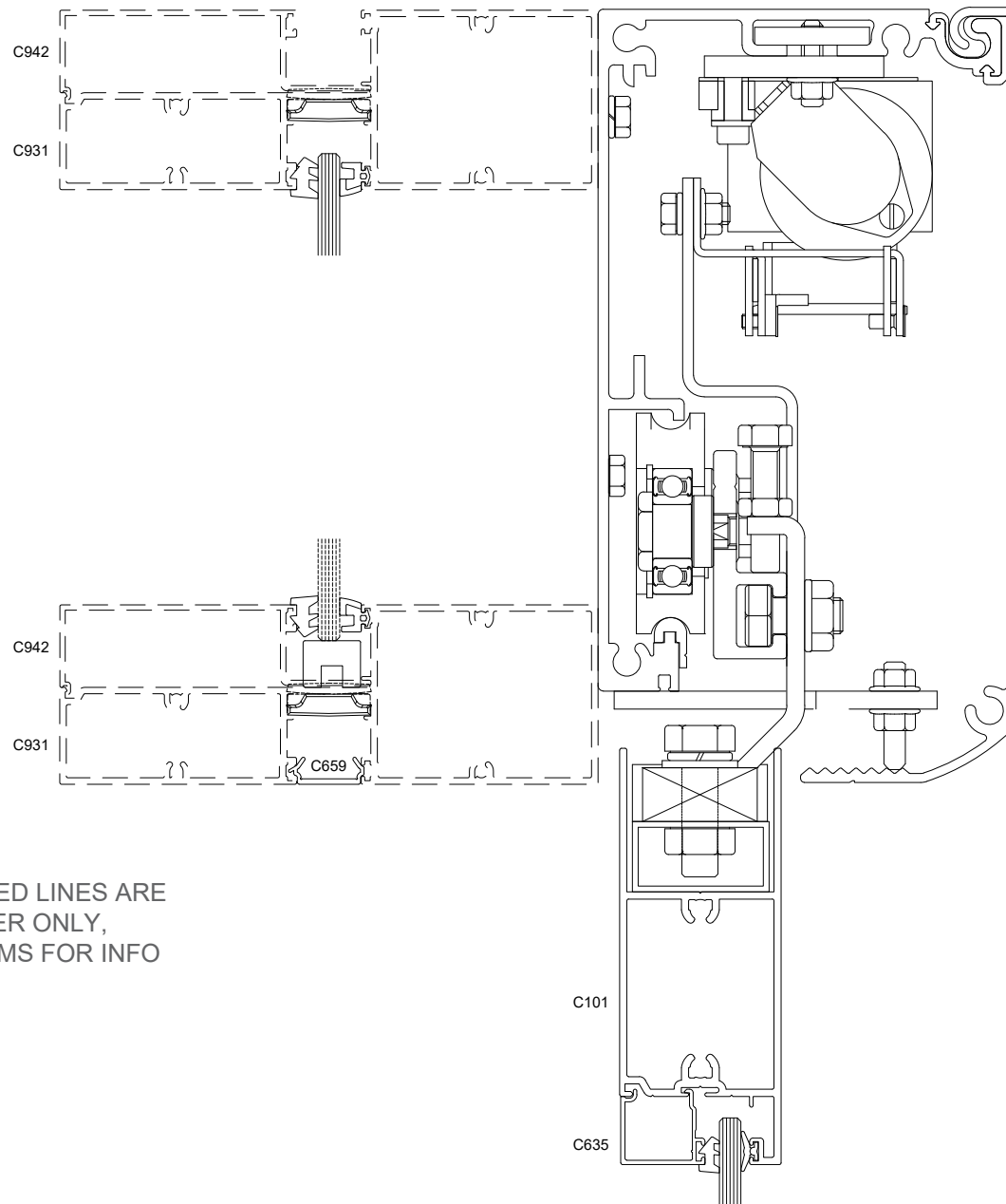
PROFILES SHOWN IN DASHED LINES ARE SUBJECT TO SPECIAL ORDER ONLY, CONSULT FAIRVIEW SYSTEMS FOR INFO


## 150mm CENTRE GLAZE SLIDING DOOR

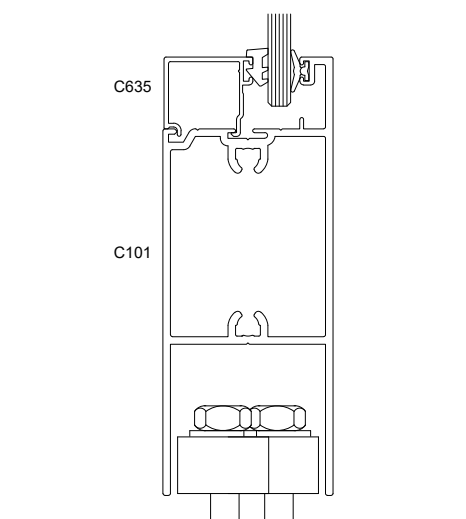
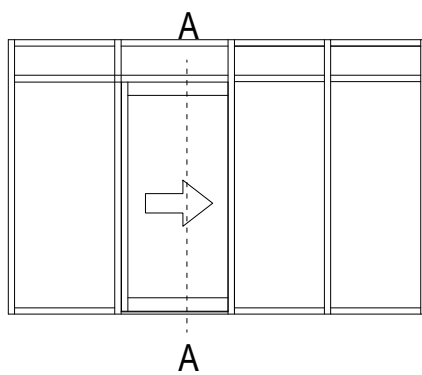
FAIRVIEW SYSTEMS LIMITED SPECIFIERS GUIDE 2014 © TECHNICAL SPECIFICATIONS & PROFILE DETAILS SUBJECT TO CHANGE WITHOUT NOTICE

### FAIRVIEW 50 COMMERCIAL FULL SUITE

DATE 14.06.2018	SCALE 1:2
REF. CG150.0056	



 PROFILES SHOWN IN DASHED LINES ARE SUBJECT TO SPECIAL ORDER ONLY, CONSULT FAIRVIEW SYSTEMS FOR INFO



**SECTION A-A**

DETAILS SHOWN ARE NON-WEATHERED ACCESSIBLE SILLS. FOR WEATHERED SILL DETAILS PLEASE CONTACT FAIRVIEW SYSTEMS LTD.

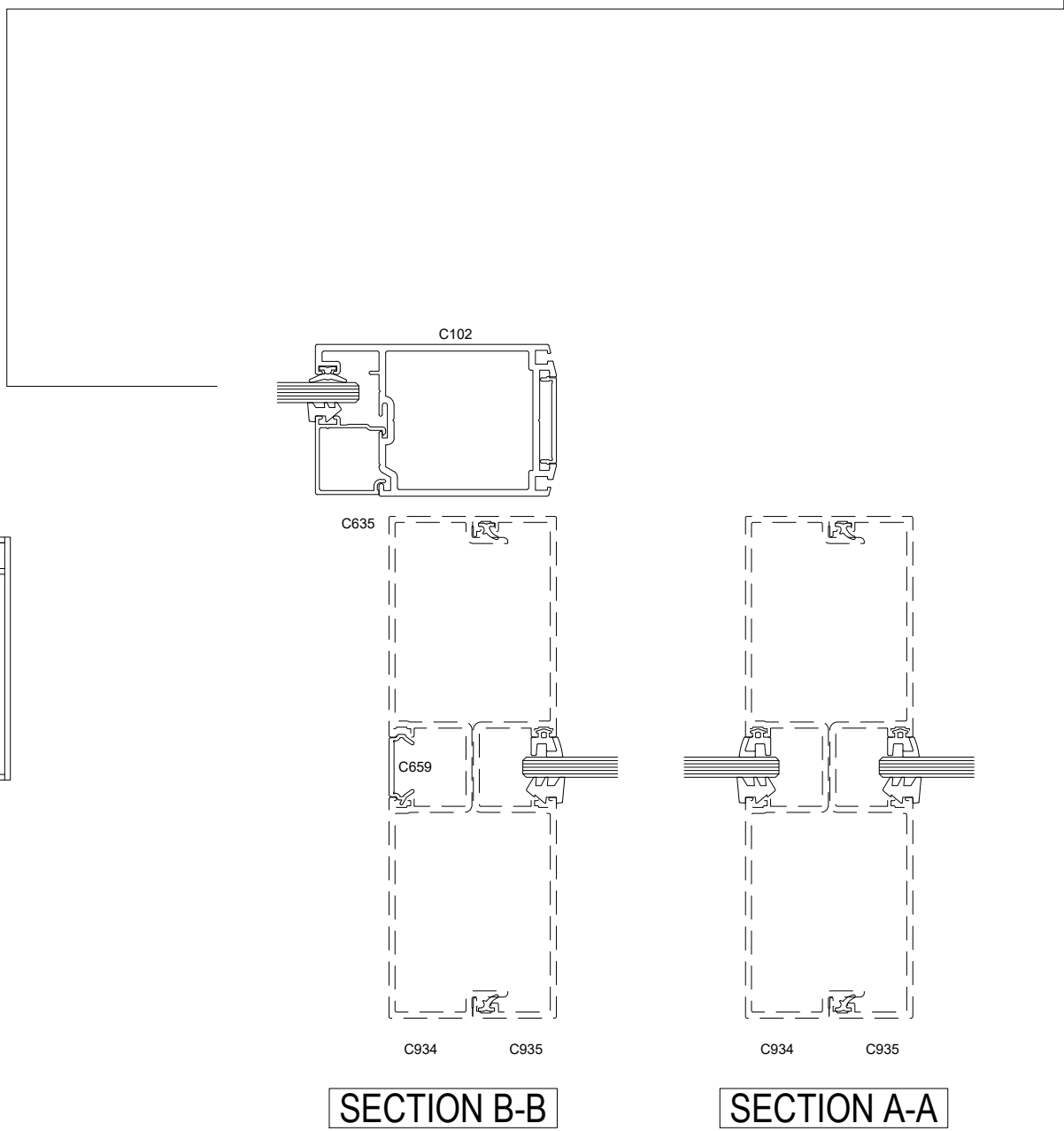
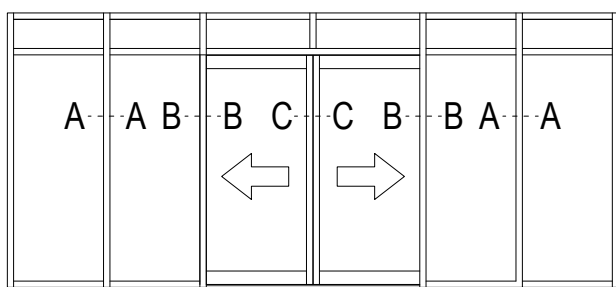
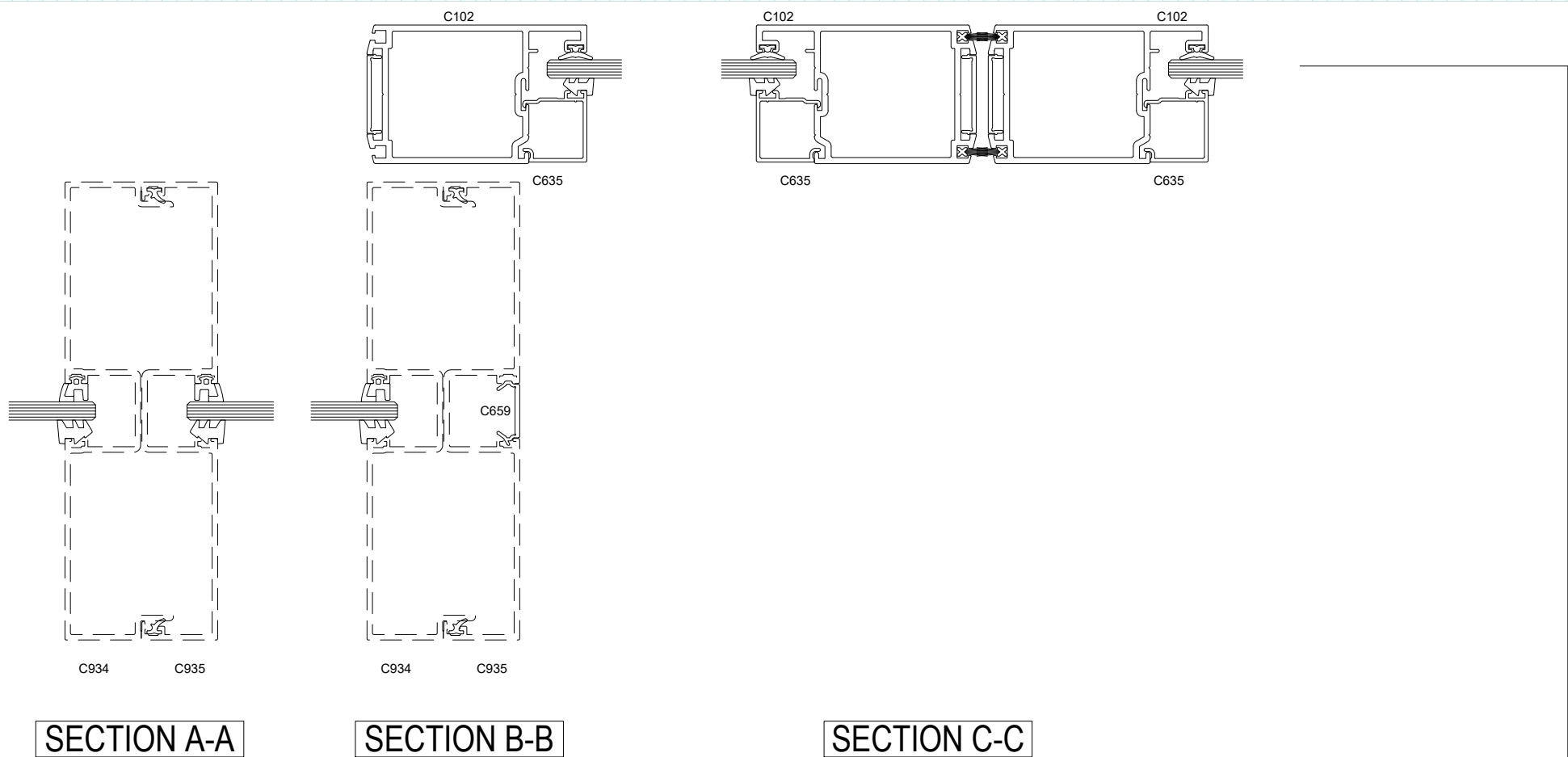
## 150mm CENTRE GLAZE AUTO SLIDING DOOR

FAIRVIEW SYSTEMS LIMITED SPECIFIERS GUIDE 2014 © TECHNICAL SPECIFICATIONS & PROFILE DETAILS SUBJECT TO CHANGE WITHOUT NOTICE

**FAIRVIEW 50 COMMERCIAL FULL SUITE**

DATE 14.06.2018	SCALE 1:2
REF. CG150.0057	





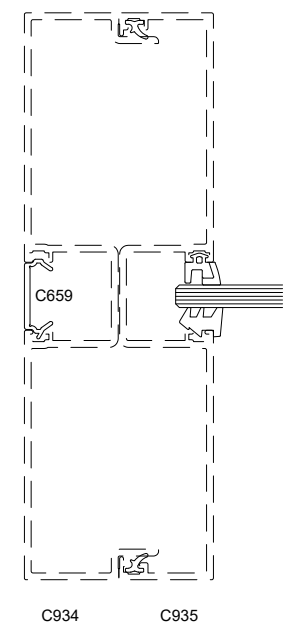
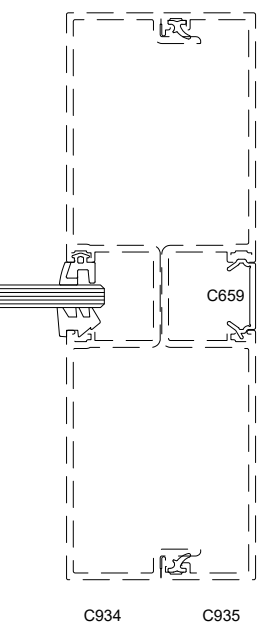
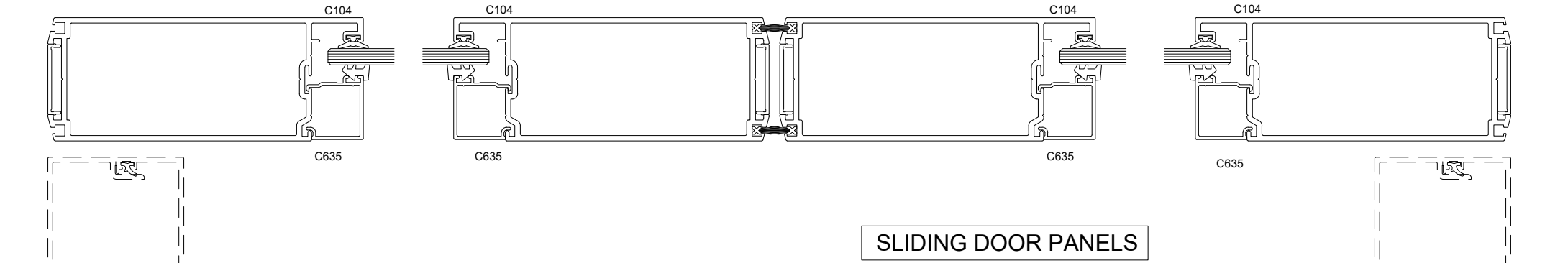
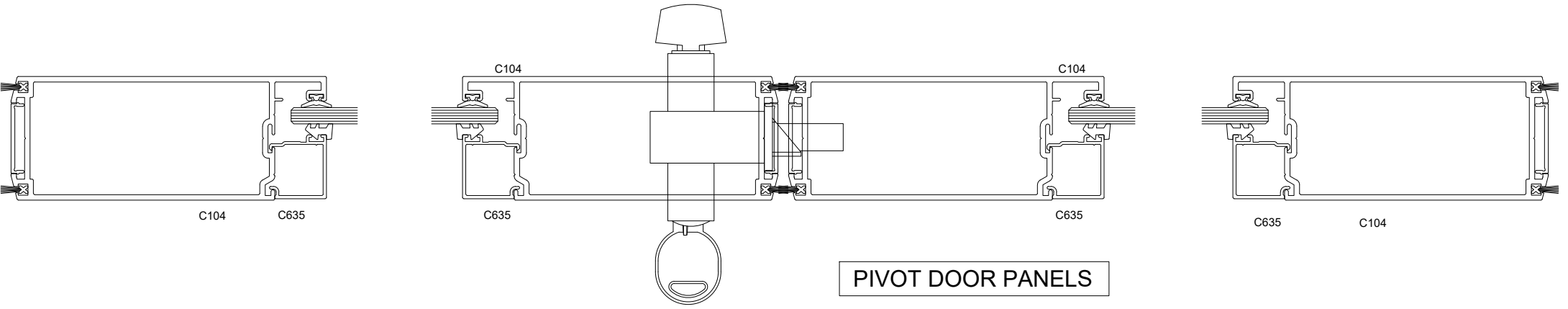
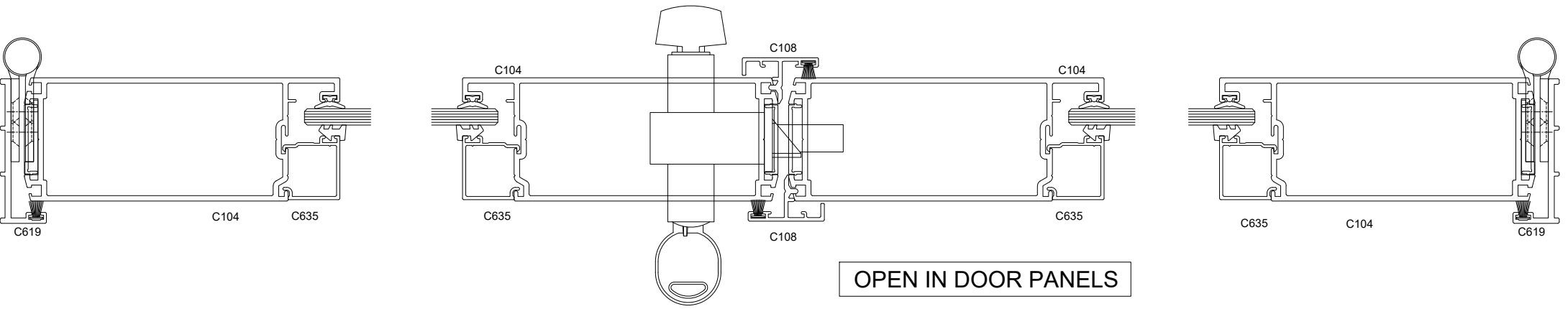
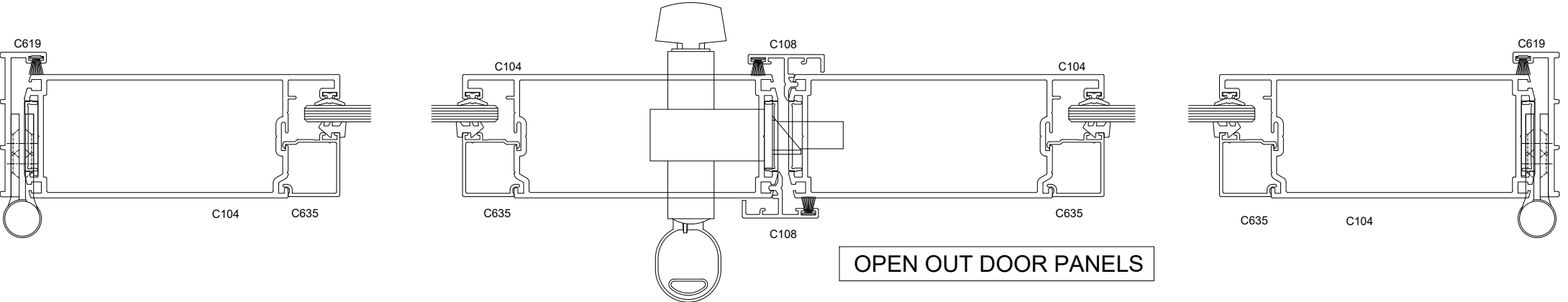
PROFILES SHOWN IN DASHED LINES ARE SUBJECT TO SPECIAL ORDER ONLY, CONSULT FAIRVIEW SYSTEMS FOR INFO

## 150mm CENTRE GLAZE AUTO SLIDING DOOR

FAIRVIEW SYSTEMS LIMITED SPECIFIERS GUIDE 2014 © TECHNICAL SPECIFICATIONS & PROFILE DETAILS SUBJECT TO CHANGE WITHOUT NOTICE

**FAIRVIEW 50 COMMERCIAL FULL SUITE**

DATE 14.06.2018	SCALE 1:2
REF. CG150.0058	



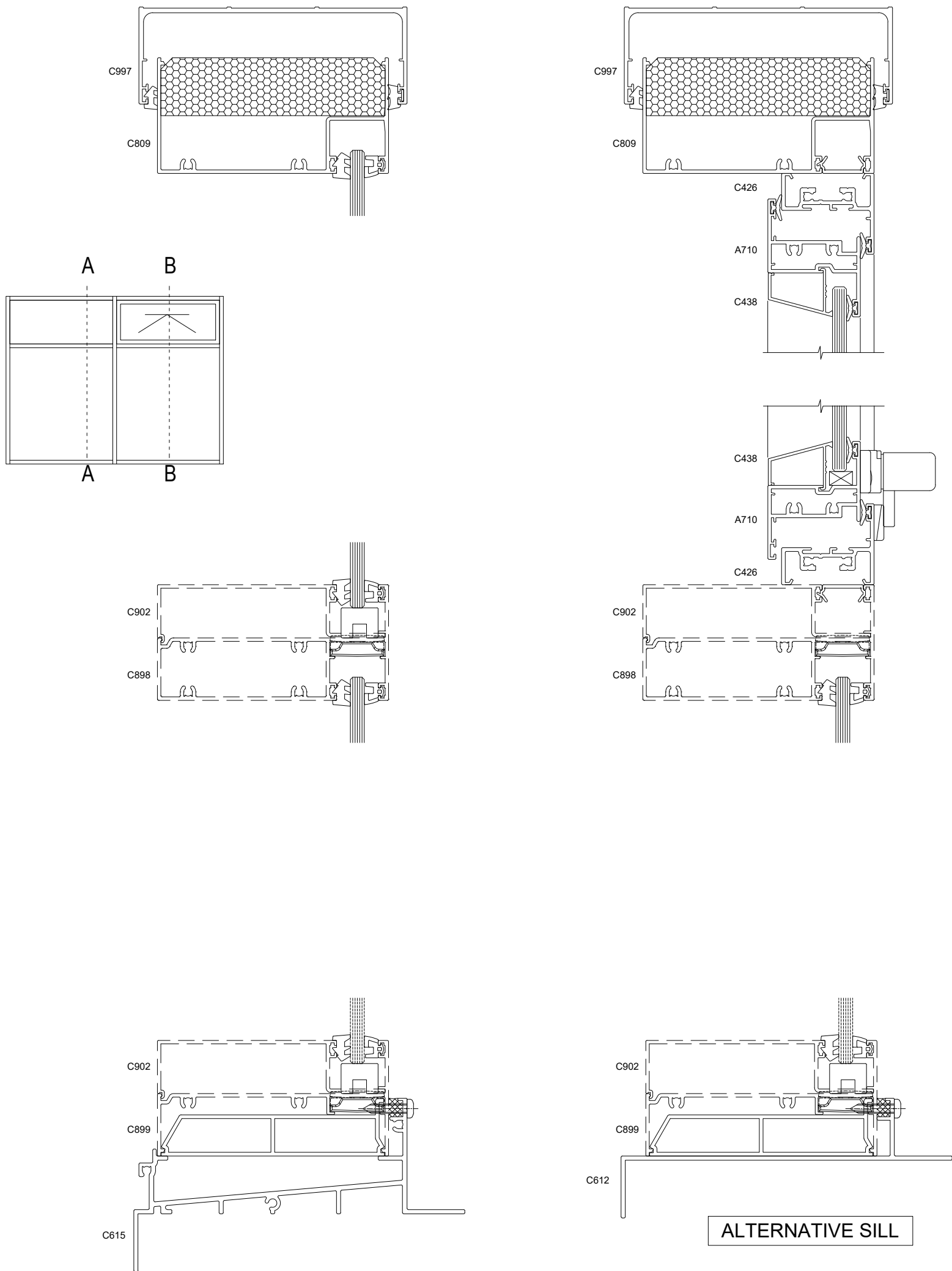
PROFILES SHOWN IN DASHED LINES ARE SUBJECT TO SPECIAL ORDER ONLY, CONSULT FAIRVIEW SYSTEMS FOR INFO

## 150mm CENTRE GLAZE WIDE DOOR STILES

FAIRVIEW SYSTEMS LIMITED SPECIFIERS GUIDE 2014 © TECHNICAL SPECIFICATIONS & PROFILE DETAILS SUBJECT TO CHANGE WITHOUT NOTICE

### FAIRVIEW 50 COMMERCIAL FULL SUITE

DATE 14.06.2018	SCALE 1:2
REF. CG150.0059	



**SECTION A-A**

**SECTION B-B**

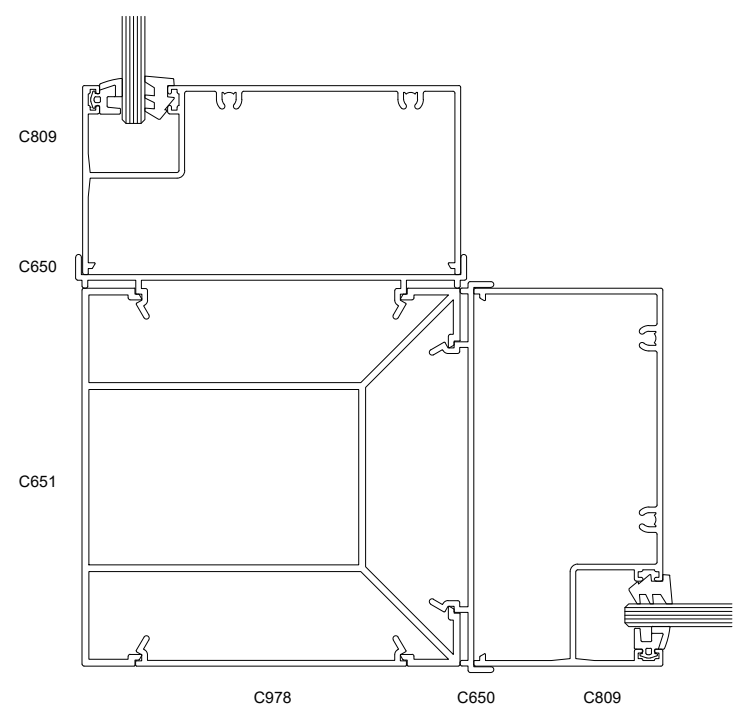
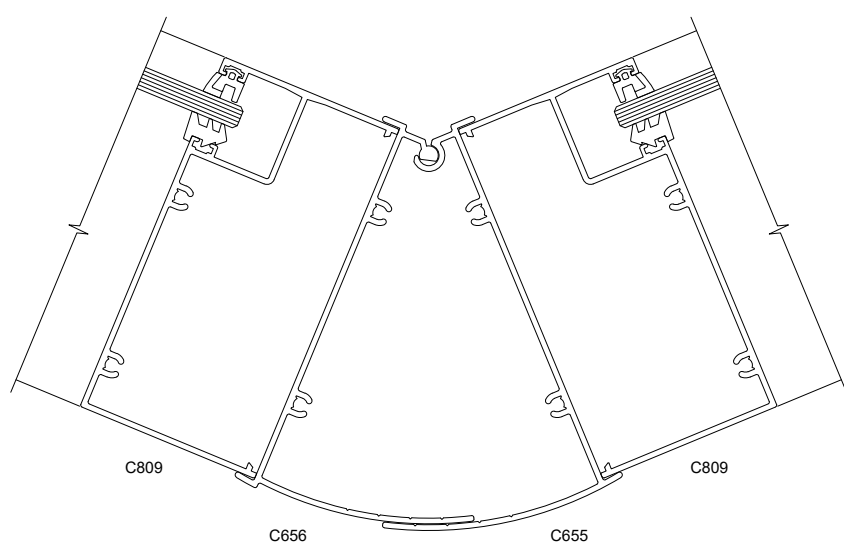
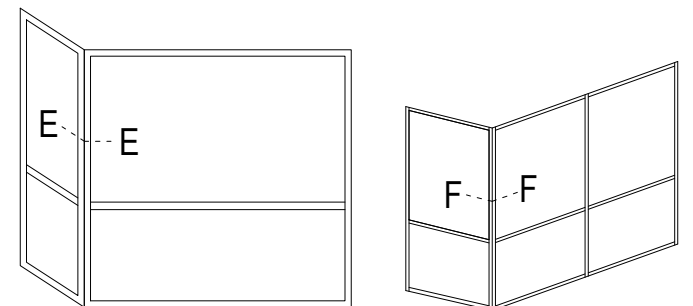
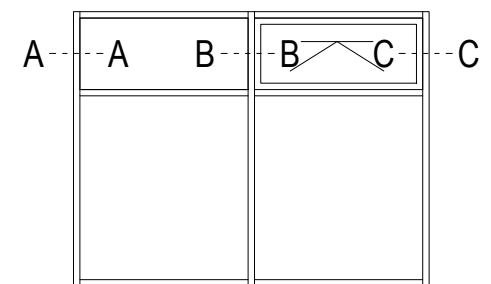
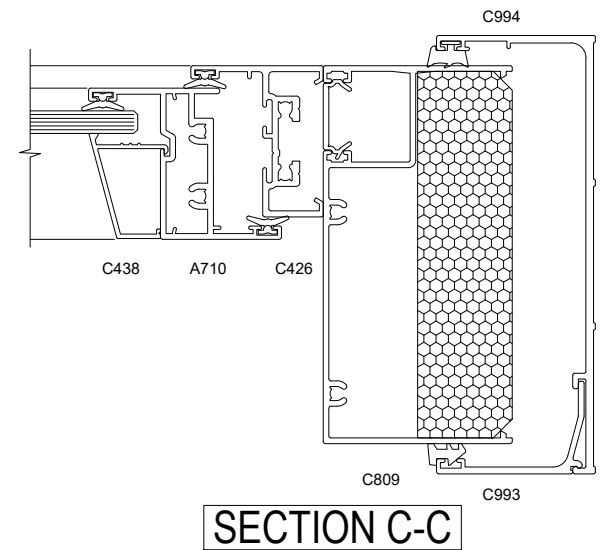
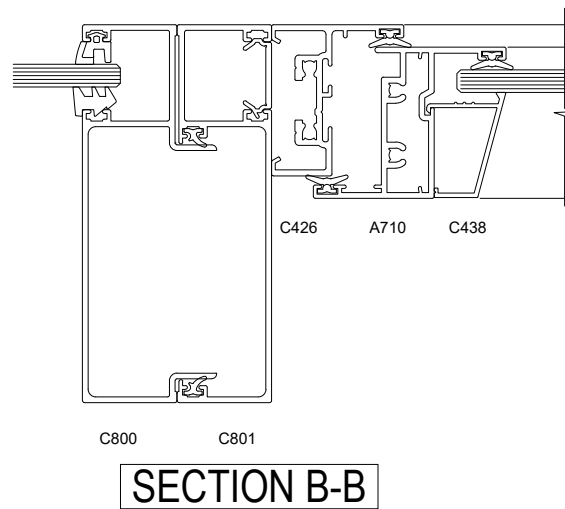
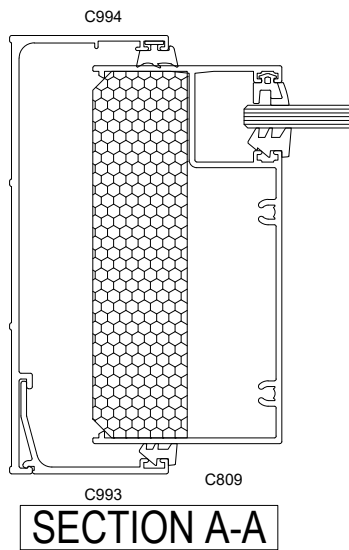
PROFILES SHOWN IN DASHED LINES ARE SUBJECT TO SPECIAL ORDER ONLY, CONSULT FAIRVIEW SYSTEMS FOR INFO

## 100mm REAR GLAZE FIXED GLAZING WINDOW

FAIRVIEW SYSTEMS LIMITED SPECIFIERS GUIDE 2014 © TECHNICAL SPECIFICATIONS & PROFILE DETAILS SUBJECT TO CHANGE WITHOUT NOTICE

**FAIRVIEW 50 COMMERCIAL FULL SUITE**

DATE 14.06.2018	SCALE 1:2
REF. RG100.0060	

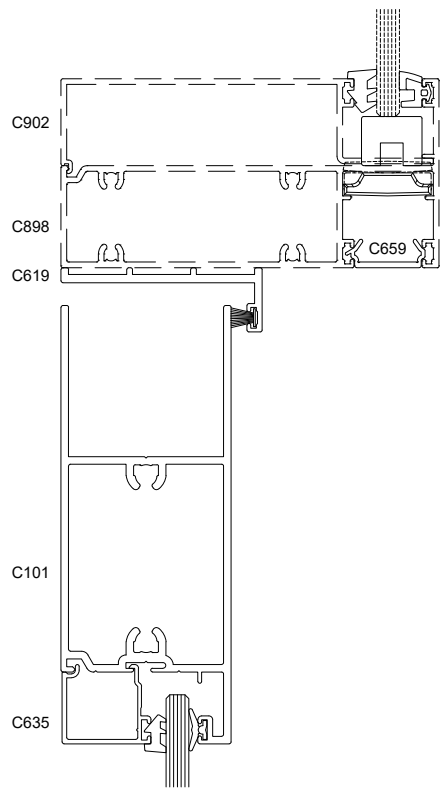


## 100mm REAR GLAZE FIXED GLAZING WINDOW

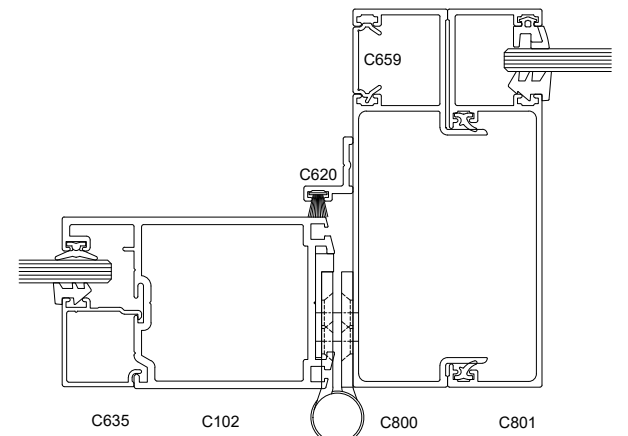
FAIRVIEW SYSTEMS LIMITED SPECIFIERS GUIDE 2014 © TECHNICAL SPECIFICATIONS & PROFILE DETAILS SUBJECT TO CHANGE WITHOUT NOTICE

**FAIRVIEW 50 COMMERCIAL FULL SUITE**

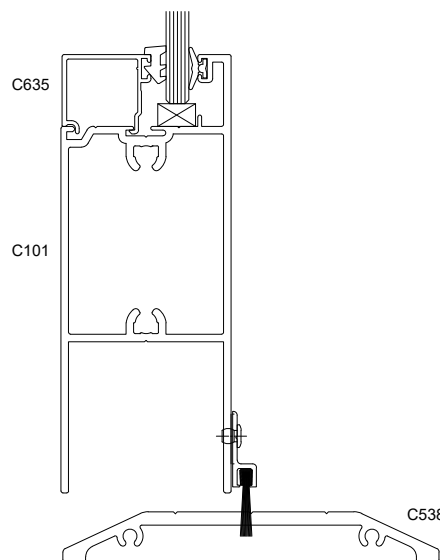
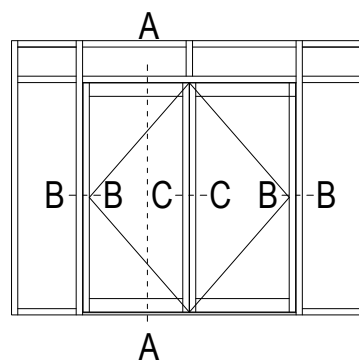
DATE 14.06.2018	SCALE 1:2
REF. RG100.0061	



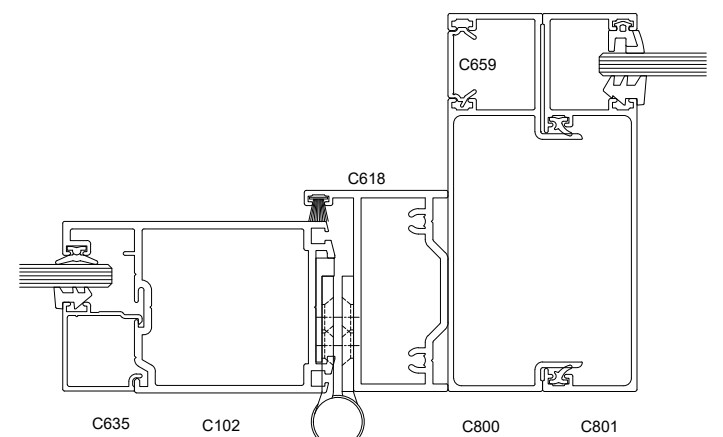
PROFILES SHOWN IN DASHED LINES ARE SUBJECT TO SPECIAL ORDER ONLY, CONSULT FAIRVIEW SYSTEMS FOR INFO



SECTION B-B

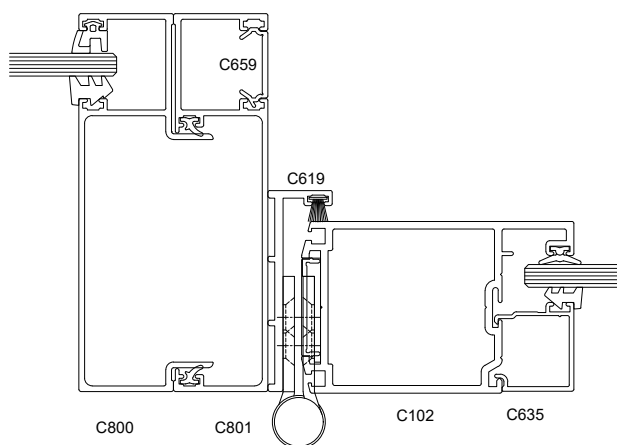


DETAILS SHOWN ARE NON-WEATHERED ACCESSIBLE SILLS. FOR WEATHERED SILL DETAILS PLEASE CONTACT FAIRVIEW SYSTEMS LTD.

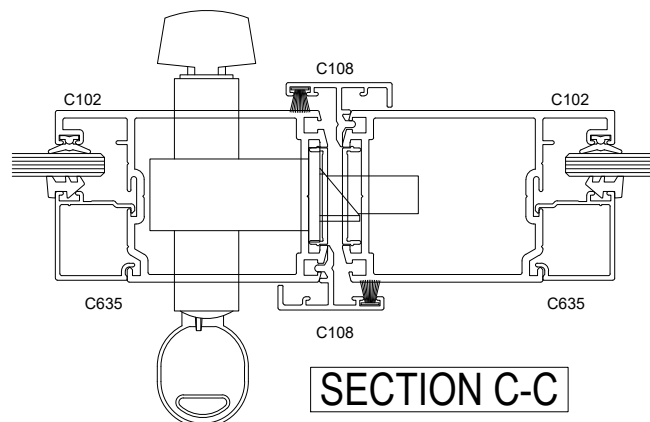


SECTION B-B

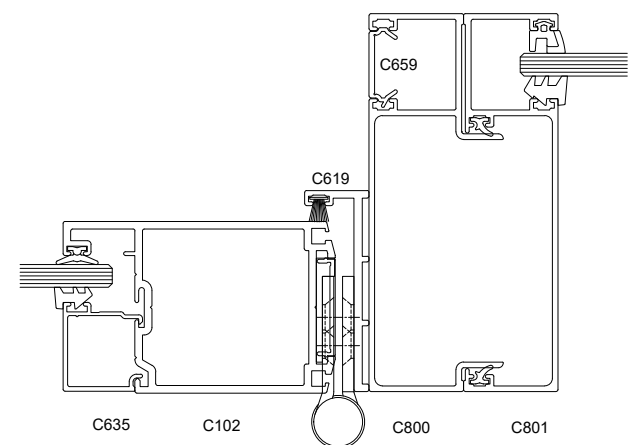
SECTION A-A



SECTION B-B



SECTION C-C



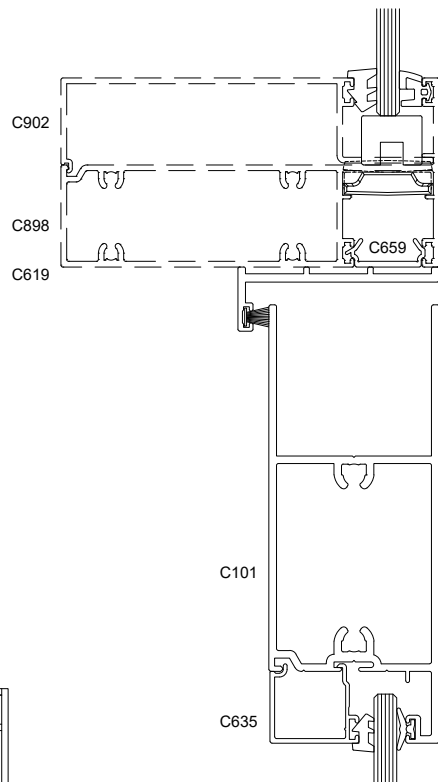
SECTION B-B

## 100mm REAR GLAZE HINGED DOOR OPEN OUT

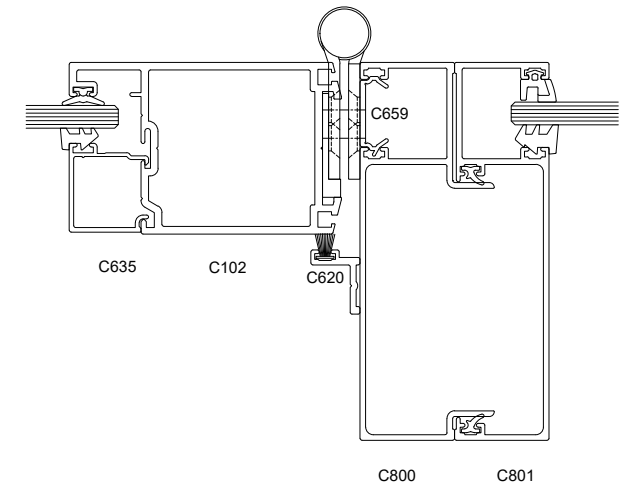
FAIRVIEW SYSTEMS LIMITED SPECIFIERS GUIDE 2014 © TECHNICAL SPECIFICATIONS & PROFILE DETAILS SUBJECT TO CHANGE WITHOUT NOTICE

FAIRVIEW 50 COMMERCIAL FULL SUITE

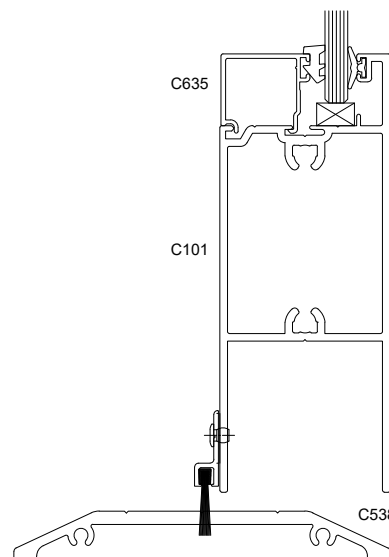
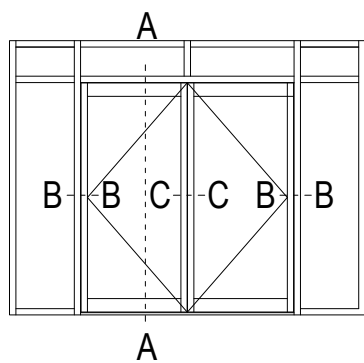
DATE 14.06.2018	SCALE 1:2
REF. RG100.0062	



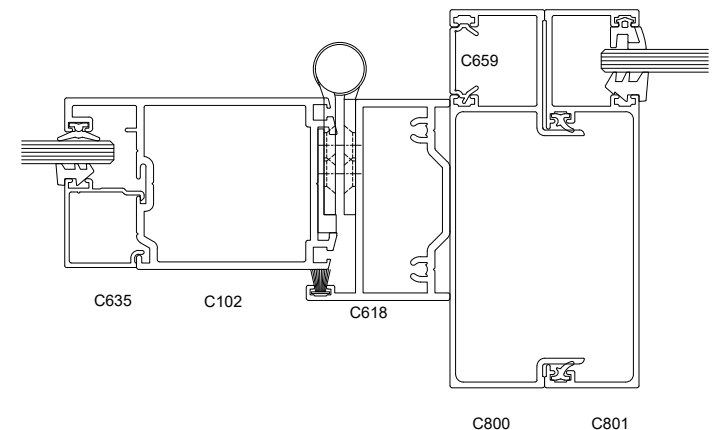
PROFILES SHOWN IN DASHED LINES ARE SUBJECT TO SPECIAL ORDER ONLY, CONSULT FAIRVIEW SYSTEMS FOR INFO



SECTION B-B

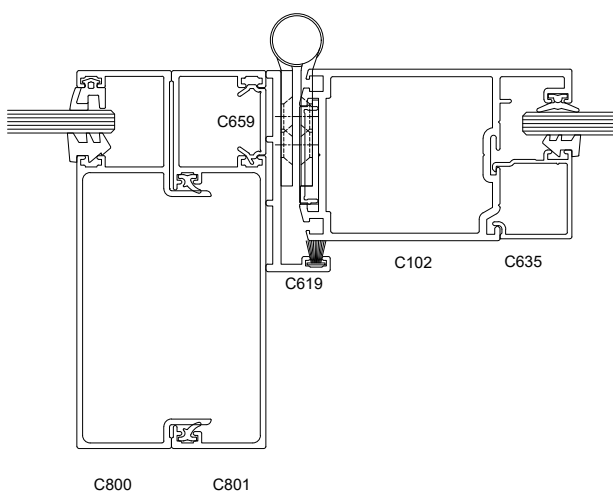


DETAILS SHOWN ARE NON-WEATHERED ACCESSIBLE SILLS. FOR WEATHERED SILL DETAILS PLEASE CONTACT FAIRVIEW SYSTEMS LTD.

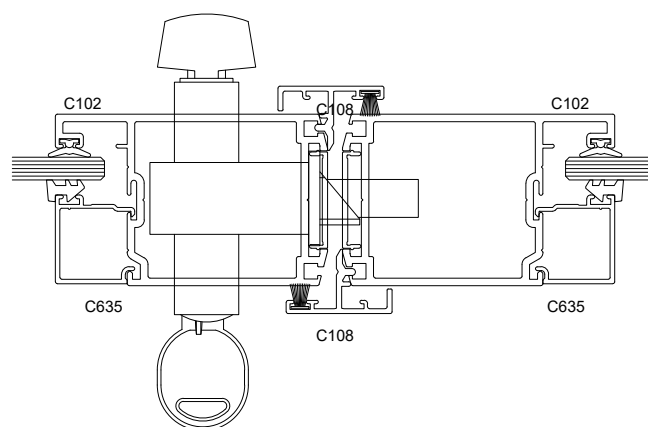


SECTION B-B

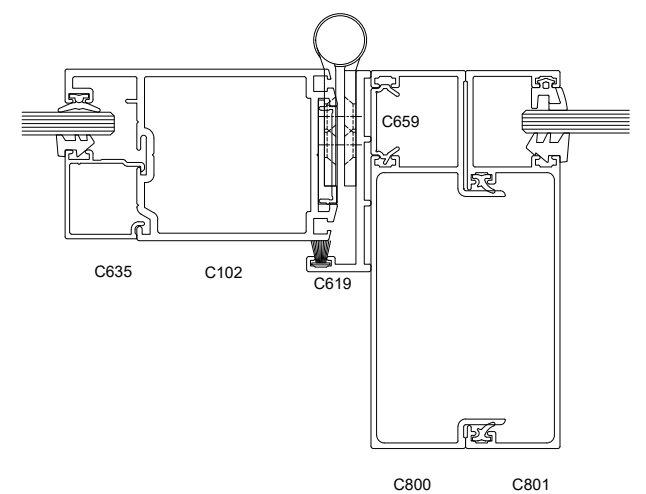
SECTION A-A



SECTION B-B



SECTION C-C



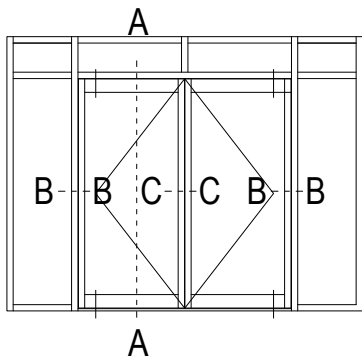
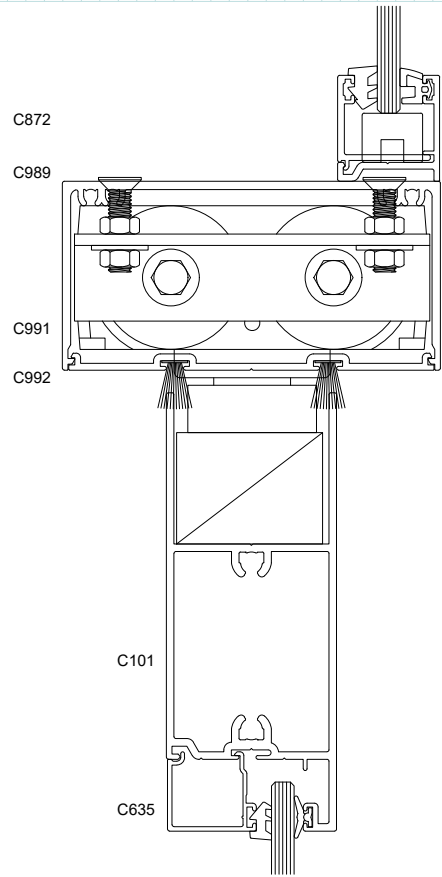
SECTION B-B

## 100mm REAR GLAZE HINGED DOOR OPEN IN

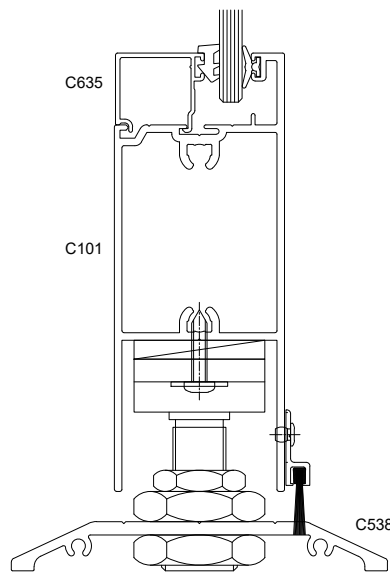
FAIRVIEW SYSTEMS LIMITED SPECIFIERS GUIDE 2014 © TECHNICAL SPECIFICATIONS & PROFILE DETAILS SUBJECT TO CHANGE WITHOUT NOTICE

### FAIRVIEW 50 COMMERCIAL FULL SUITE

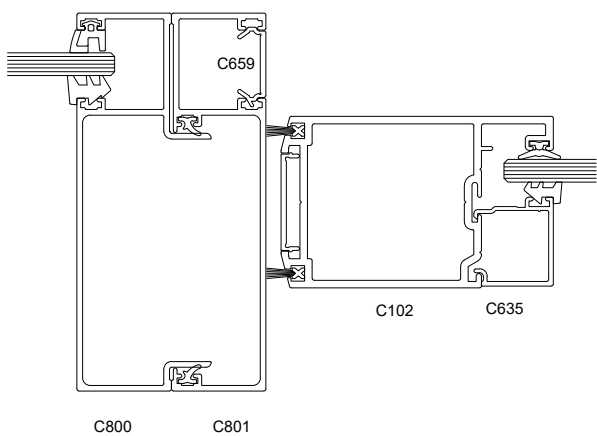
DATE 14.06.2018	SCALE 1:2
REF. RG100.0063	



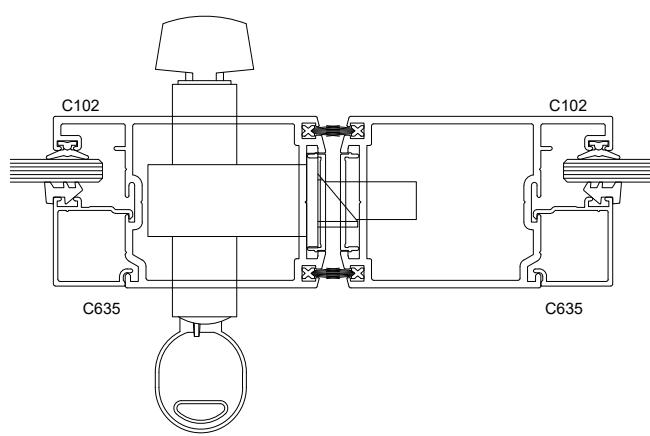
DETAILS SHOWN ARE  
NON-WEATHERED ACCESSIBLE  
SILLS. FOR WEATHERED SILL  
DETAILS PLEASE CONTACT  
FAIRVIEW SYSTEMS LTD.



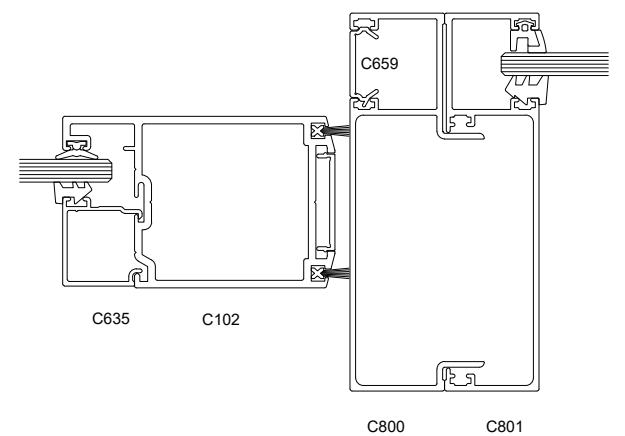
**SECTION A-A**



**SECTION B-B**



**SECTION C-C**



**SECTION B-B**

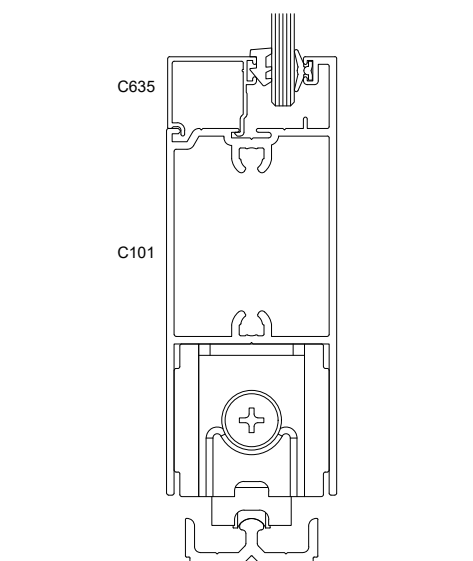
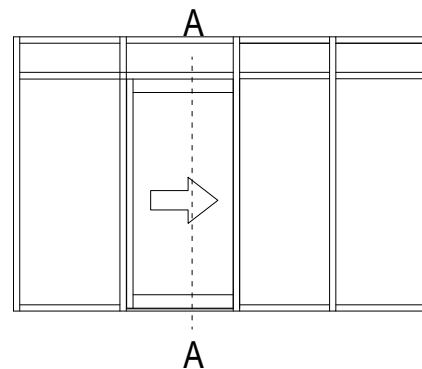
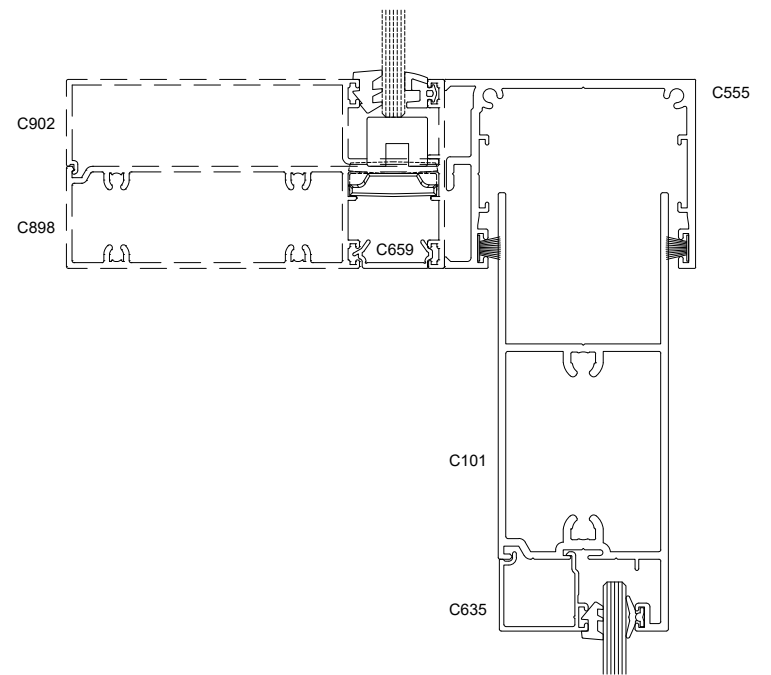
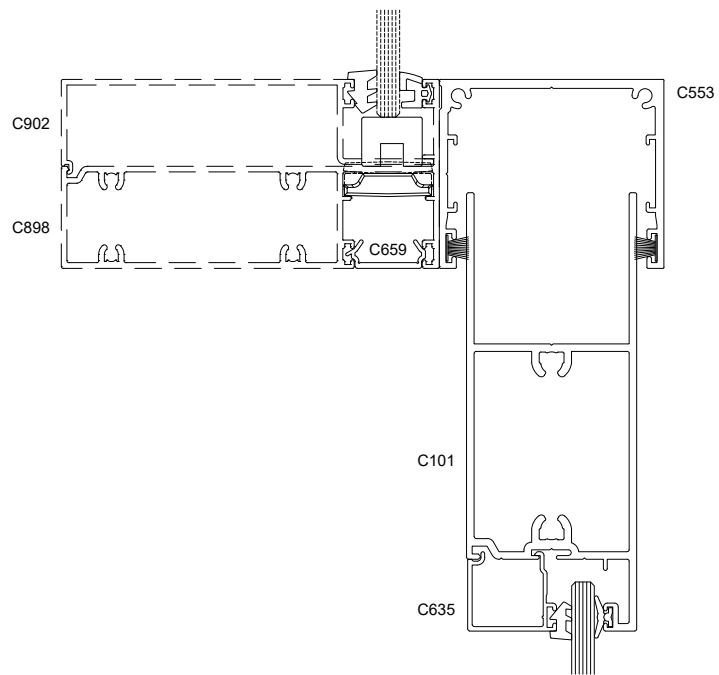
## 100mm REAR GLAZE PIVOT DOOR

FAIRVIEW SYSTEMS LIMITED SPECIFIERS GUIDE 2014 © TECHNICAL SPECIFICATIONS & PROFILE DETAILS SUBJECT TO CHANGE WITHOUT NOTICE

**FAIRVIEW 50 COMMERCIAL FULL SUITE**

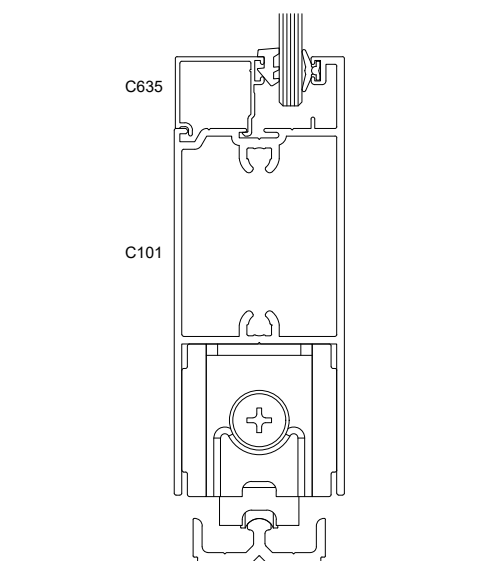
DATE 14.06.2018	SCALE 1:2
REF. RG100.0064	

PROFILES SHOWN IN DASHED LINES ARE SUBJECT TO SPECIAL ORDER ONLY, CONSULT FAIRVIEW SYSTEMS FOR INFO



**SECTION A-A**

**NON-INTERLOCKED**



**SECTION A-A**

**INTERLOCKED**

DETAILS SHOWN ARE NON-WEATHERED ACCESSIBLE SILLS. FOR WEATHERED SILL DETAILS PLEASE CONTACT FAIRVIEW SYSTEMS LTD.

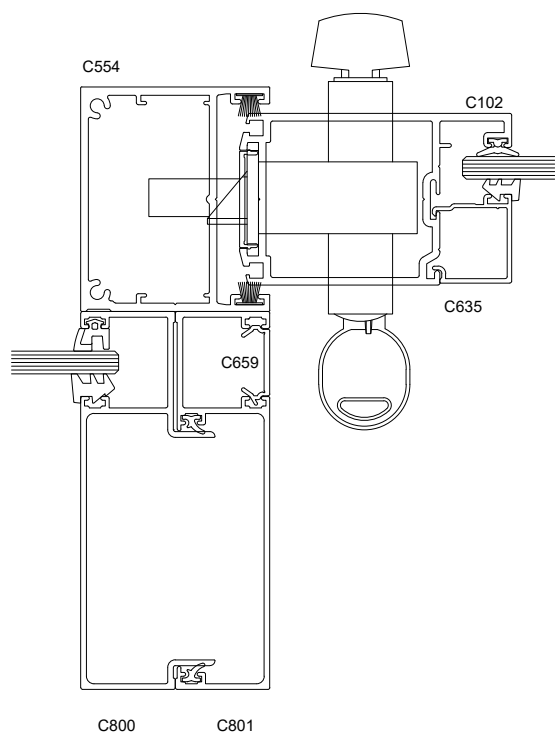
## 100mm REAR GLAZE SLIDING DOOR

FAIRVIEW SYSTEMS LIMITED SPECIFIERS GUIDE 2014 © TECHNICAL SPECIFICATIONS & PROFILE DETAILS SUBJECT TO CHANGE WITHOUT NOTICE

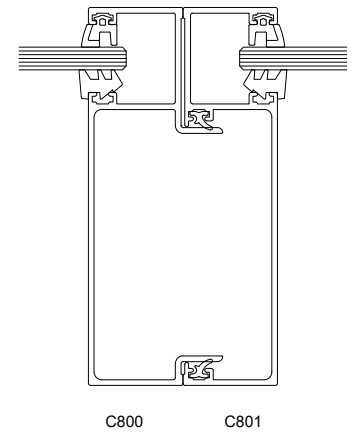
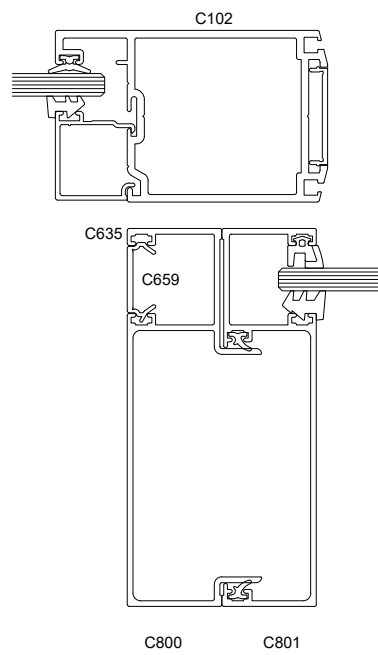
**FAIRVIEW 50 COMMERCIAL FULL SUITE**

DATE 14.06.2018	SCALE 1:2
REF. RG100.0065	





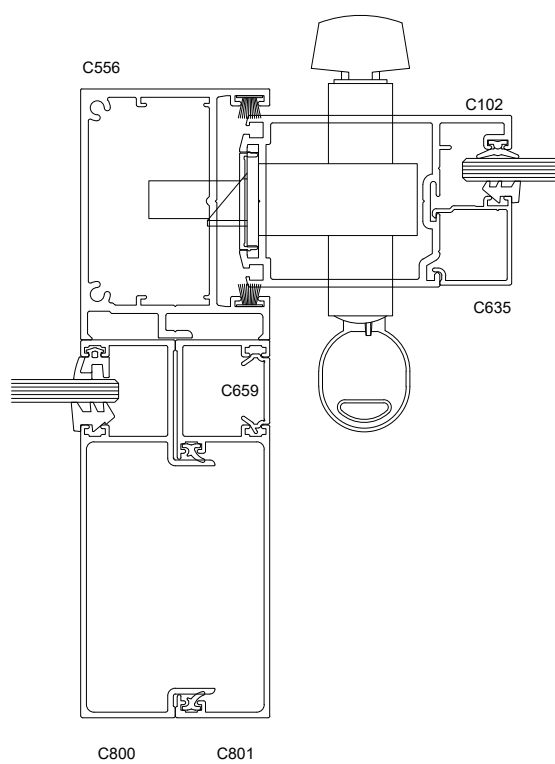
NON-INTERLOCKED



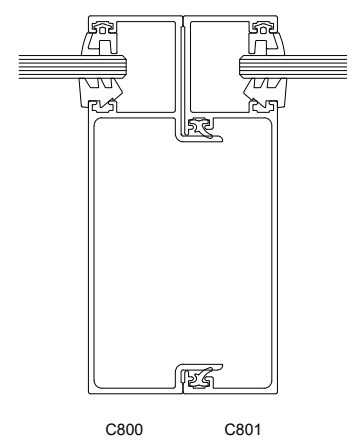
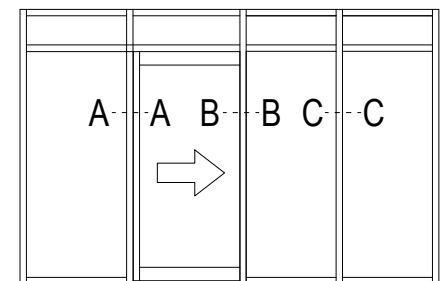
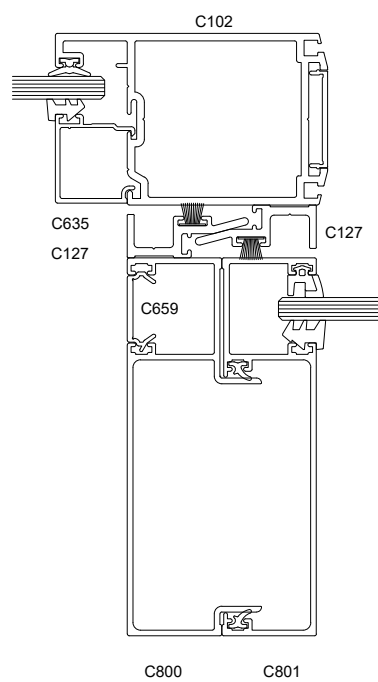
SECTION A-A

SECTION B-B

SECTION C-C



INTERLOCKED



SECTION A-A

SECTION B-B

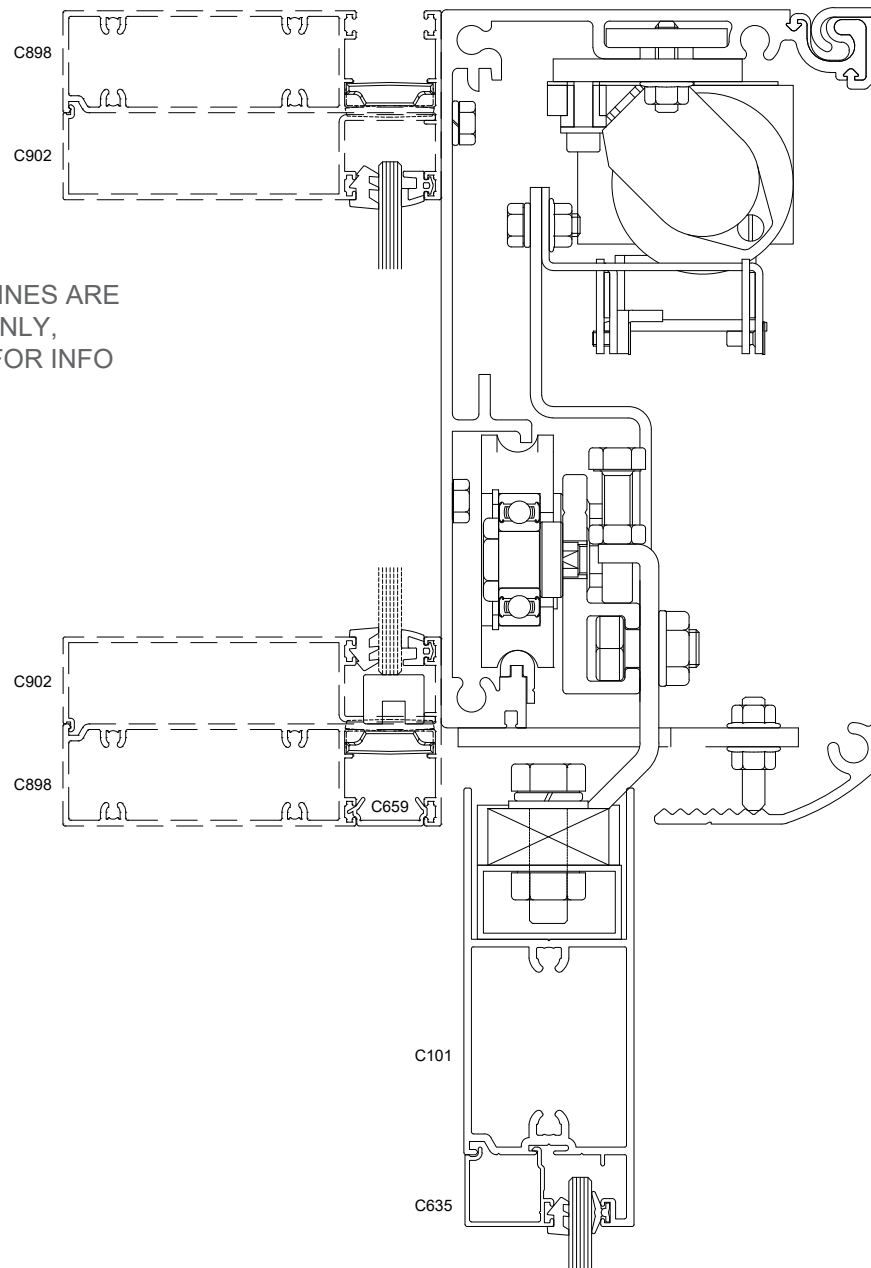
SECTION C-C


## 100mm REAR GLAZE SLIDING DOOR

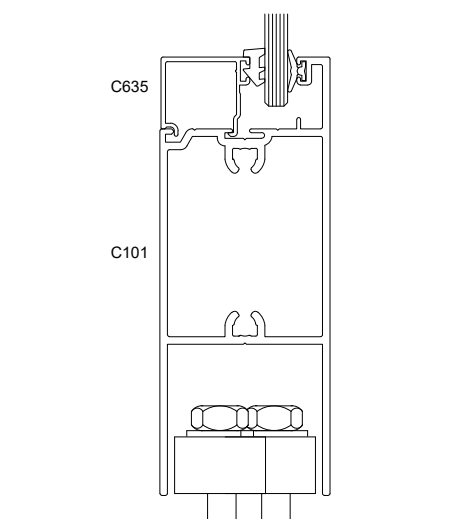
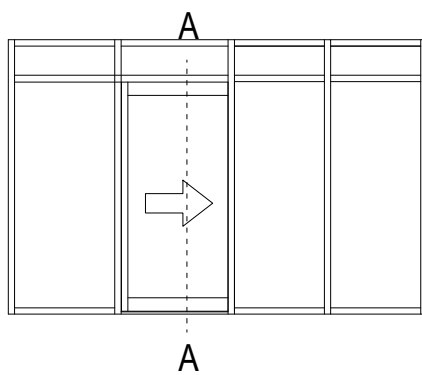
FAIRVIEW SYSTEMS LIMITED SPECIFIERS GUIDE 2014 © TECHNICAL SPECIFICATIONS & PROFILE DETAILS SUBJECT TO CHANGE WITHOUT NOTICE

FAIRVIEW 50 COMMERCIAL FULL SUITE

DATE 14.06.2018	SCALE 1:2
REF. RG100.0066	




 PROFILES SHOWN IN DASHED LINES ARE  
 SUBJECT TO SPECIAL ORDER ONLY,  
 CONSULT FAIRVIEW SYSTEMS FOR INFO



**SECTION A-A**

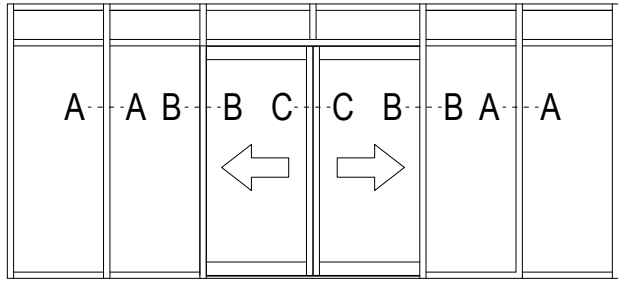
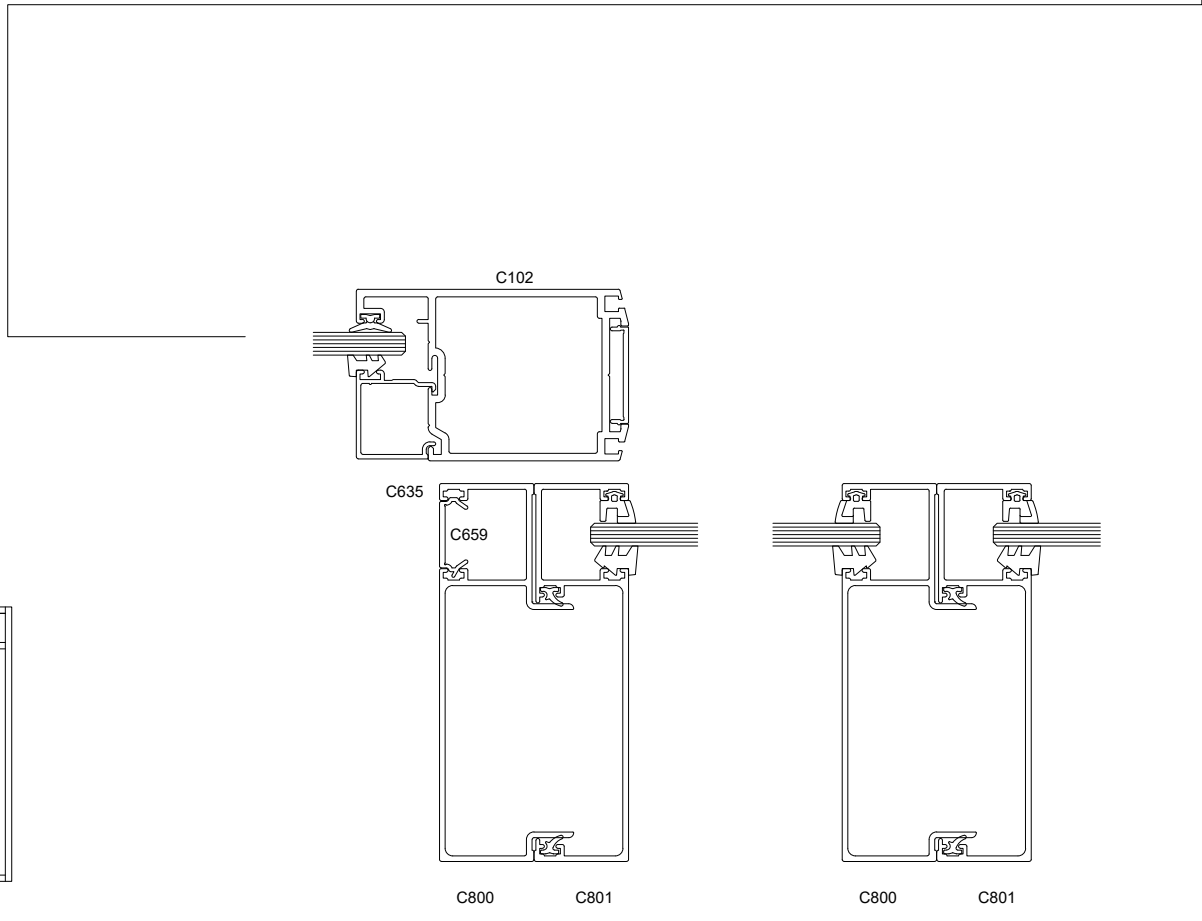
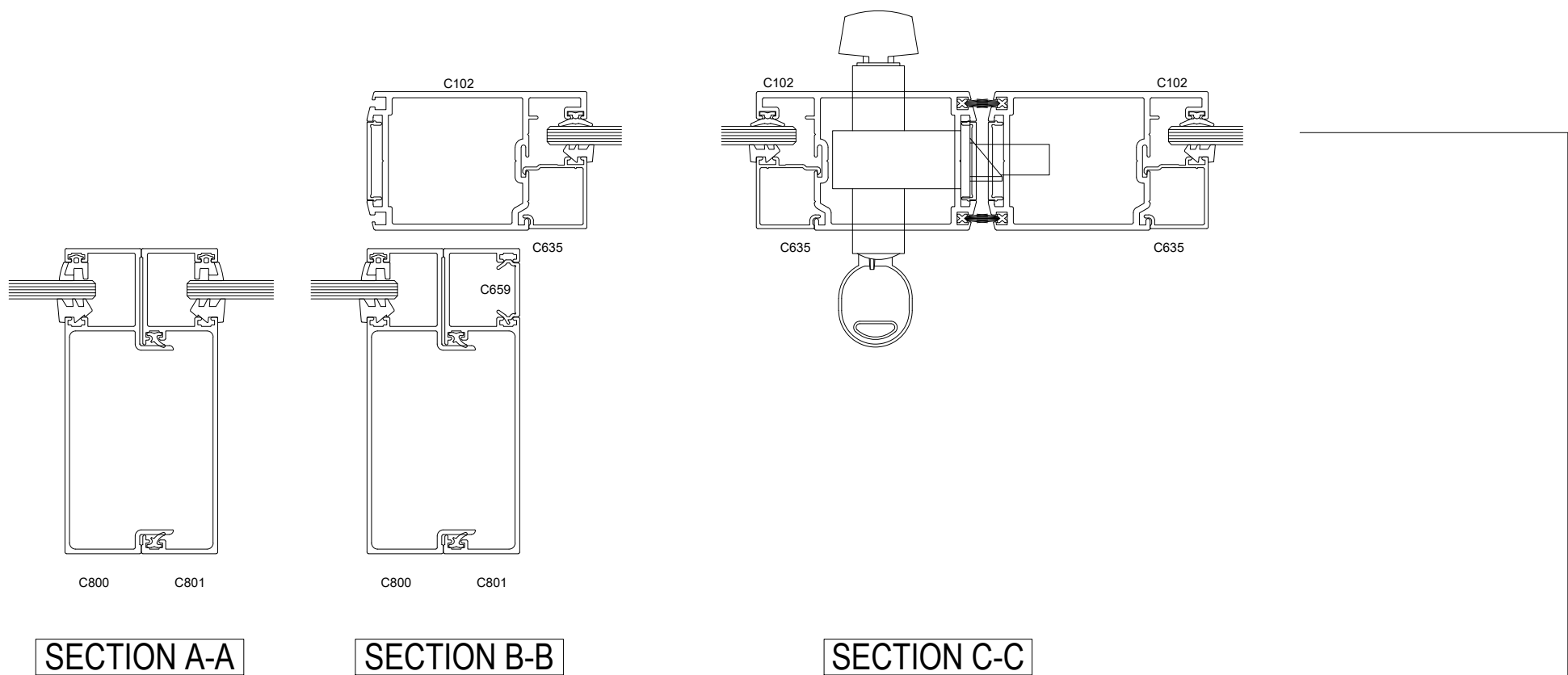
DETAILS SHOWN ARE  
 NON-WEATHERED ACCESSIBLE  
 SILLS. FOR WEATHERED SILL  
 DETAILS PLEASE CONTACT  
 FAIRVIEW SYSTEMS LTD.

## 100mm REAR GLAZE AUTO SLIDING DOOR

FAIRVIEW SYSTEMS LIMITED SPECIFIERS GUIDE 2014 © TECHNICAL SPECIFICATIONS & PROFILE DETAILS SUBJECT TO CHANGE WITHOUT NOTICE

**FAIRVIEW 50 COMMERCIAL FULL SUITE**

DATE 14.06.2018	SCALE 1:2
REF. RG100.0067	



SECTION B-B

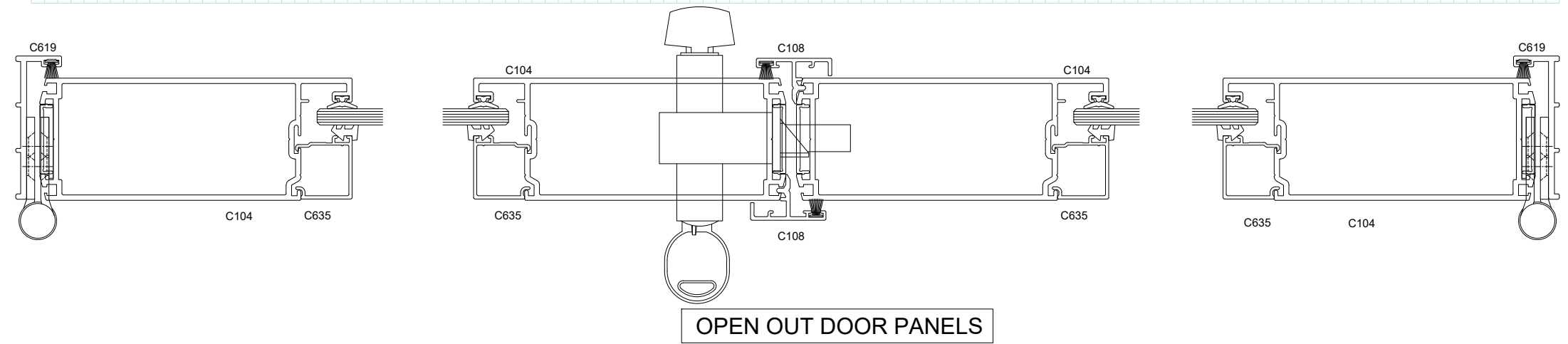
SECTION A-A

## 100mm REAR GLAZE AUTO SLIDING DOOR

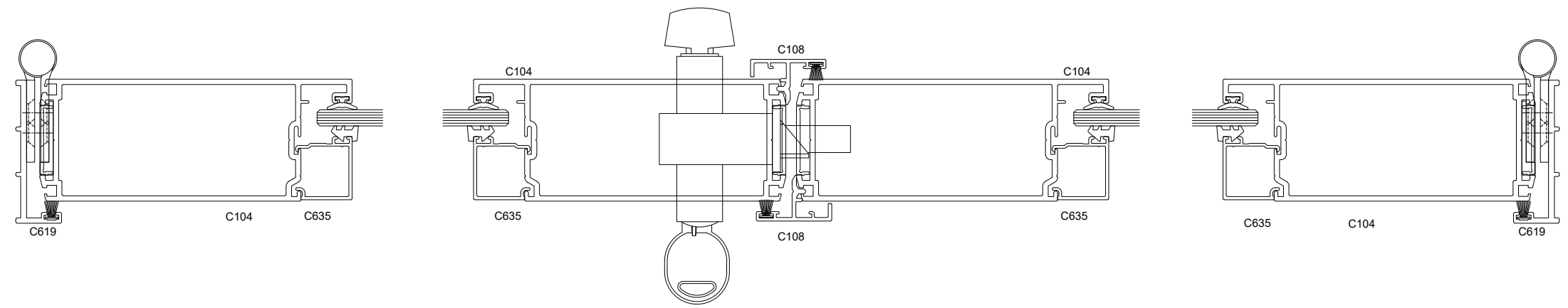
FAIRVIEW SYSTEMS LIMITED SPECIFIERS GUIDE 2014 © TECHNICAL SPECIFICATIONS & PROFILE DETAILS SUBJECT TO CHANGE WITHOUT NOTICE

FAIRVIEW 50 COMMERCIAL FULL SUITE

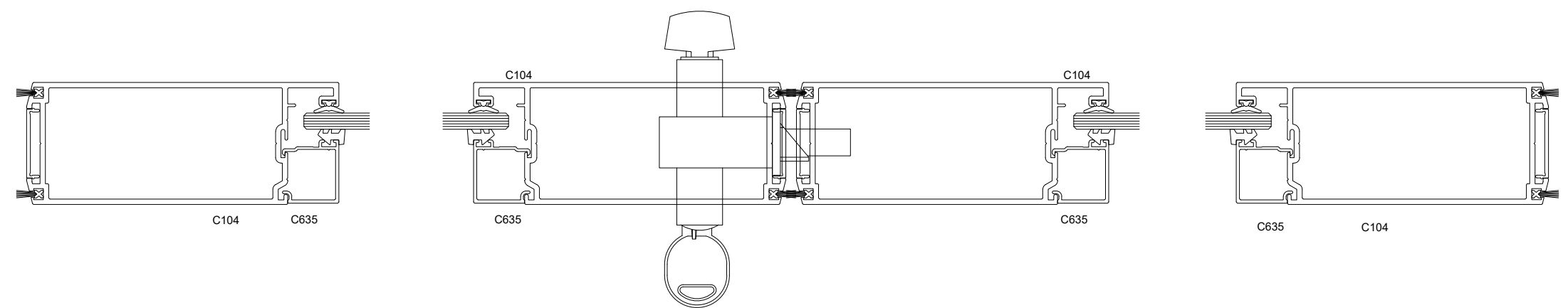
DATE 14.06.2018	SCALE 1:2
REF. RG100.0068	



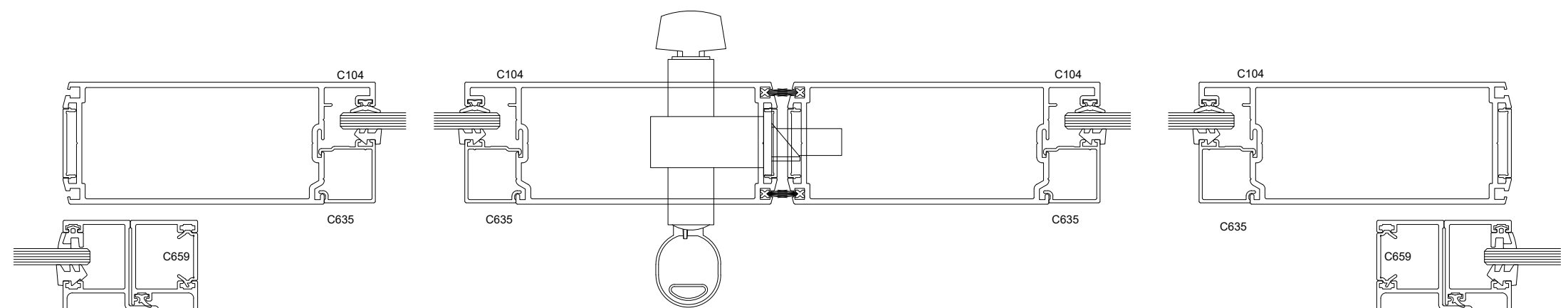
OPEN OUT DOOR PANELS



OPEN IN DOOR PANELS



PIVOT DOOR PANELS



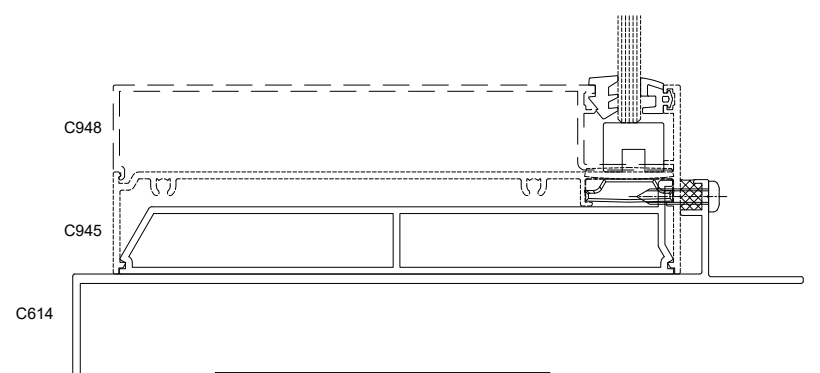
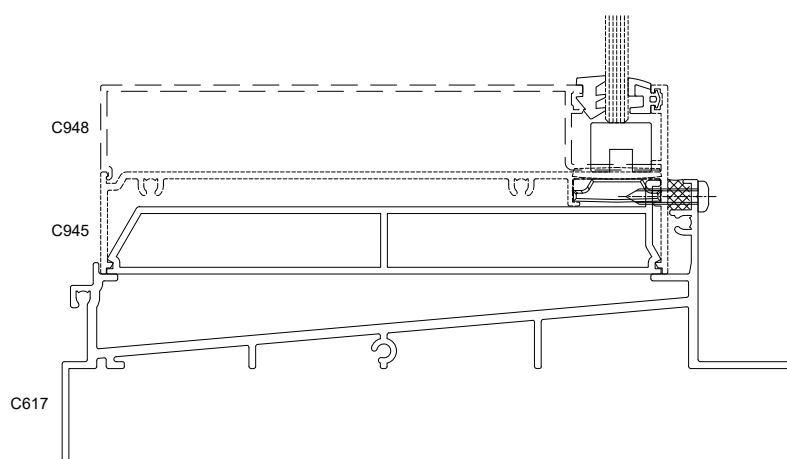
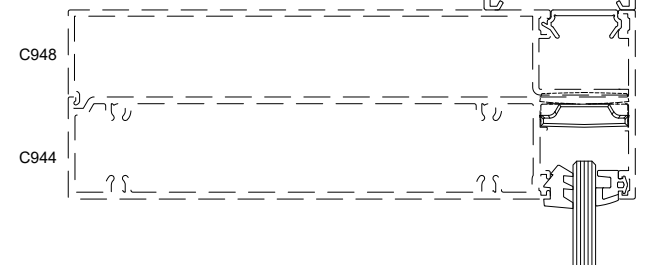
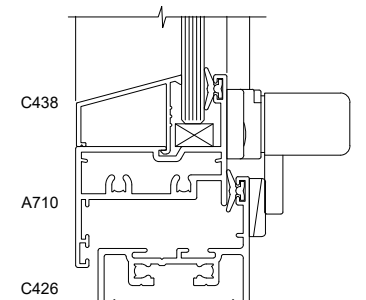
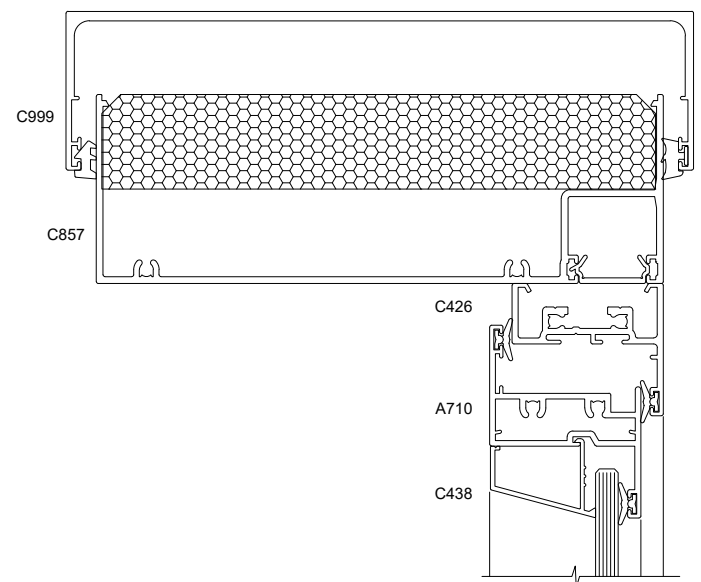
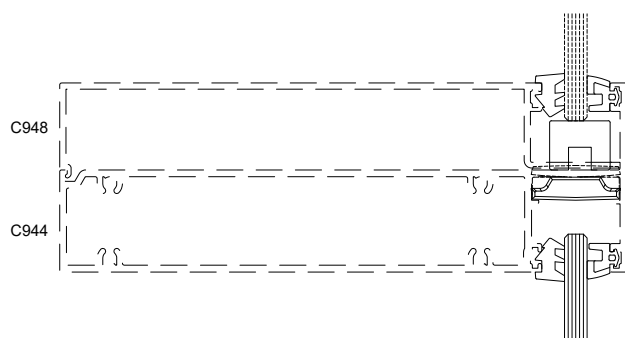
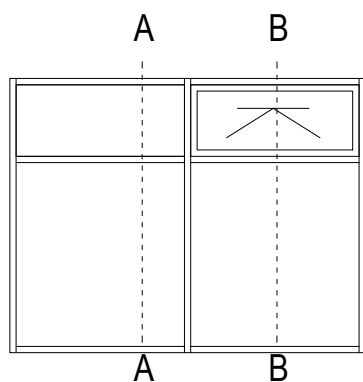
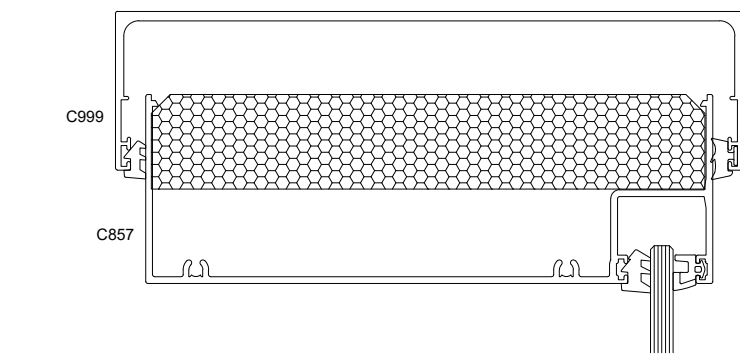
SLIDING DOOR PANELS

**100mm REAR GLAZE WIDE DOOR STILES**

FAIRVIEW SYSTEMS LIMITED SPECIFIERS GUIDE 2014 © TECHNICAL SPECIFICATIONS & PROFILE DETAILS SUBJECT TO CHANGE WITHOUT NOTICE

**FAIRVIEW 50 COMMERCIAL FULL SUITE**

DATE 14.06.2018	SCALE 1:2
REF. RG100.0069	



ALTERNATIVE SILL

SECTION A-A

SECTION B-B

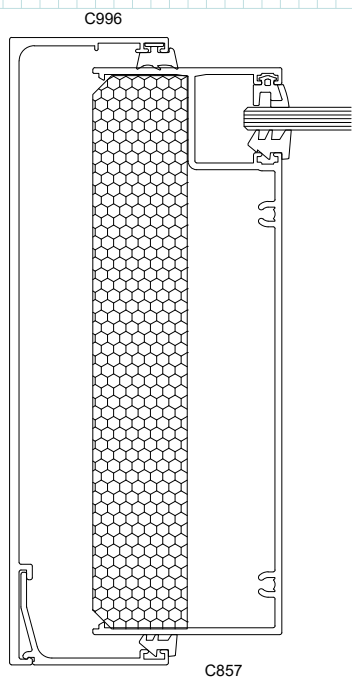
PROFILES SHOWN IN DASHED LINES ARE SUBJECT TO SPECIAL ORDER ONLY, CONSULT FAIRVIEW SYSTEMS FOR INFO

## 150mm REAR GLAZE FIXED GLAZING WINDOW

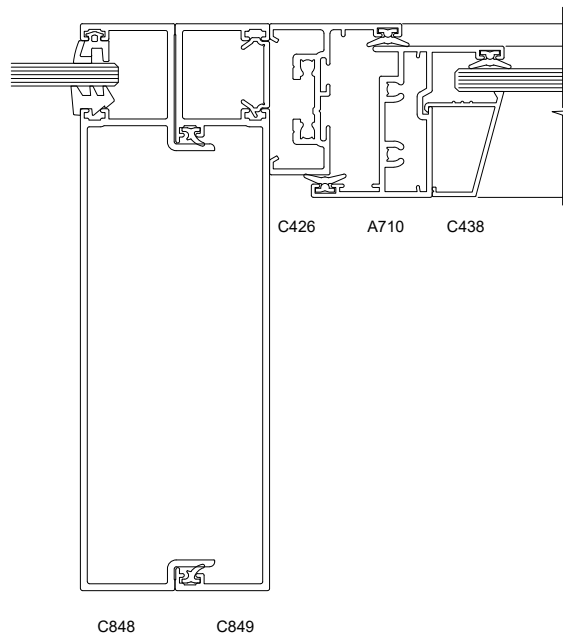
FAIRVIEW SYSTEMS LIMITED SPECIFIERS GUIDE 2014 © TECHNICAL SPECIFICATIONS & PROFILE DETAILS SUBJECT TO CHANGE WITHOUT NOTICE

FAIRVIEW 50 COMMERCIAL FULL SUITE

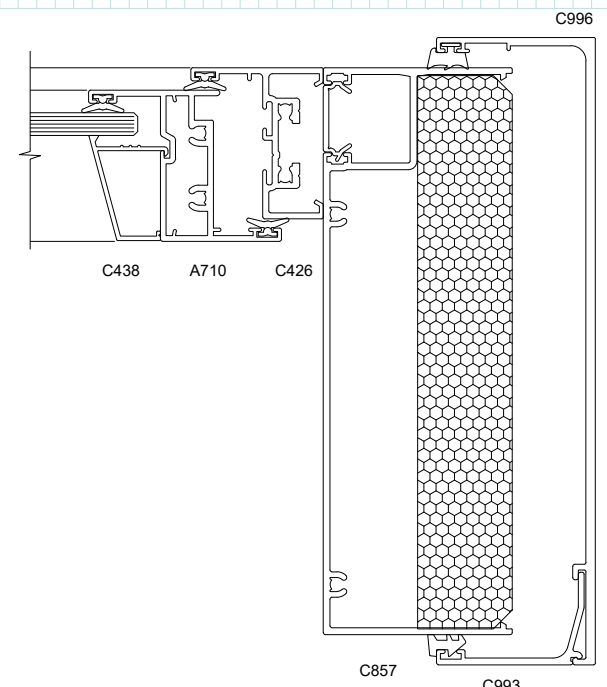
DATE 14.06.2018	SCALE 1:2
REF. RG150.0070	



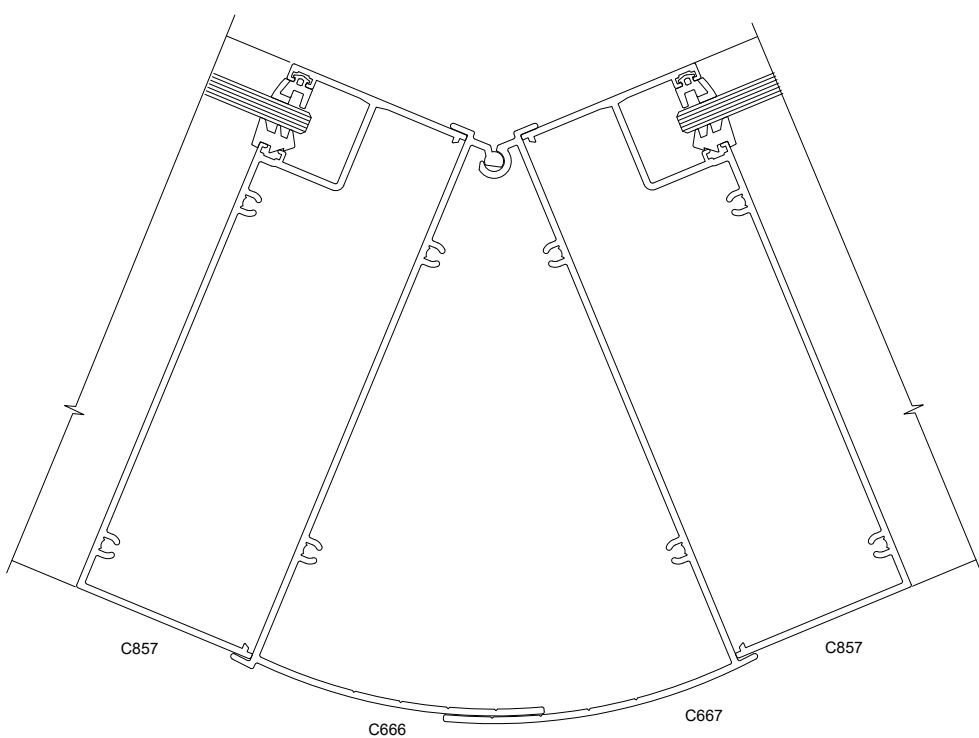
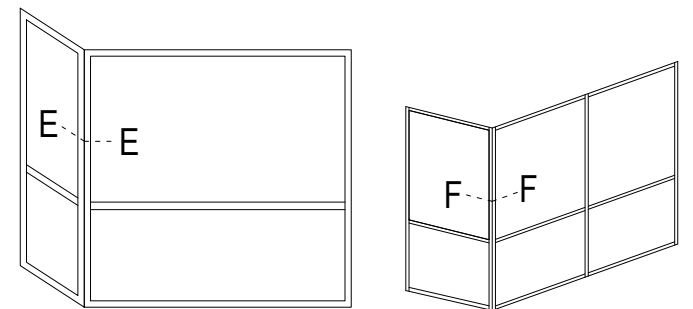
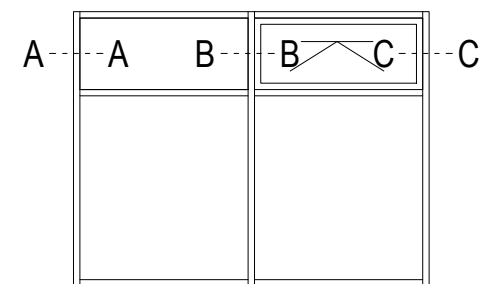
**SECTION A-A**



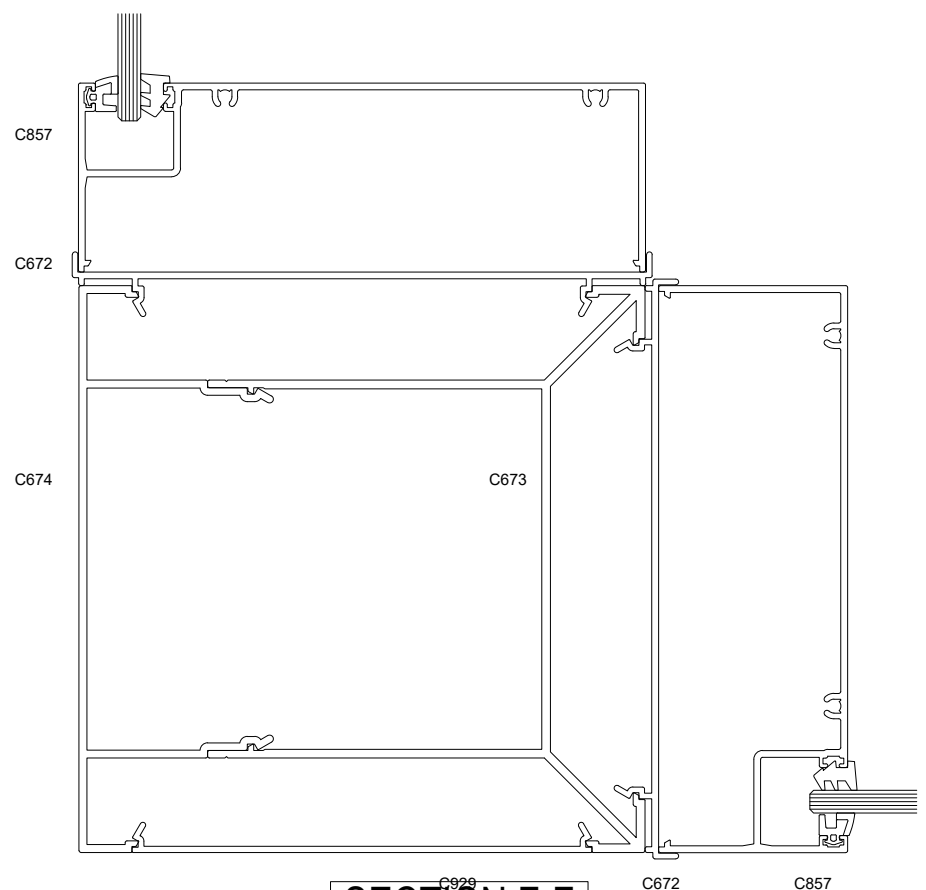
**SECTION B-B**



**SECTION C-C**



**SECTION E-E**



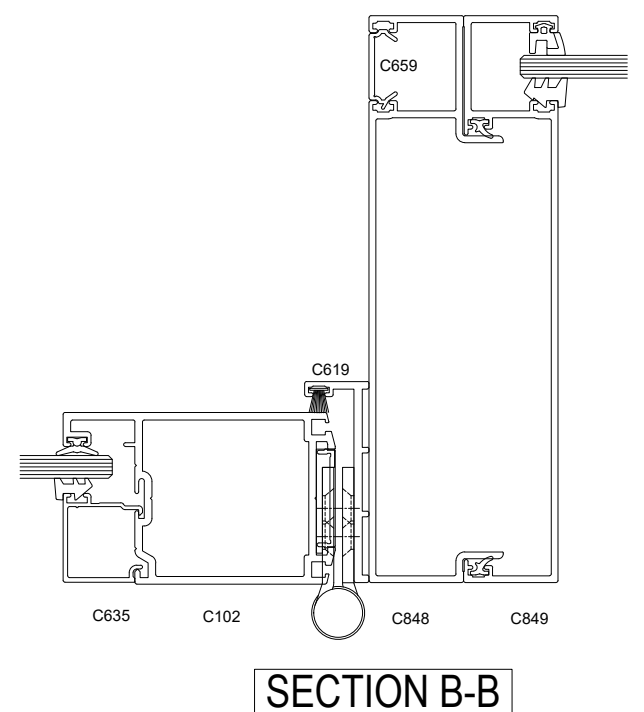
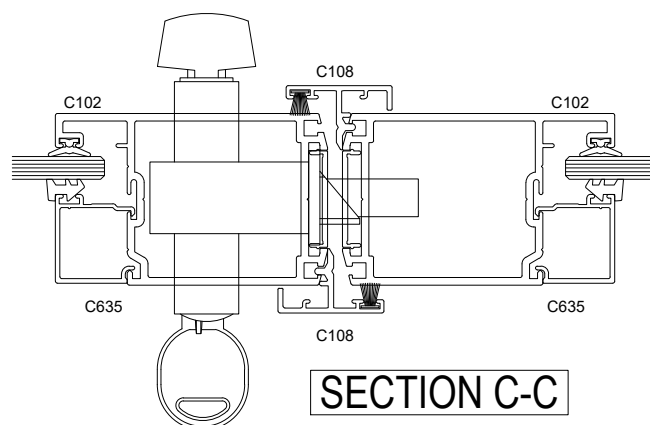
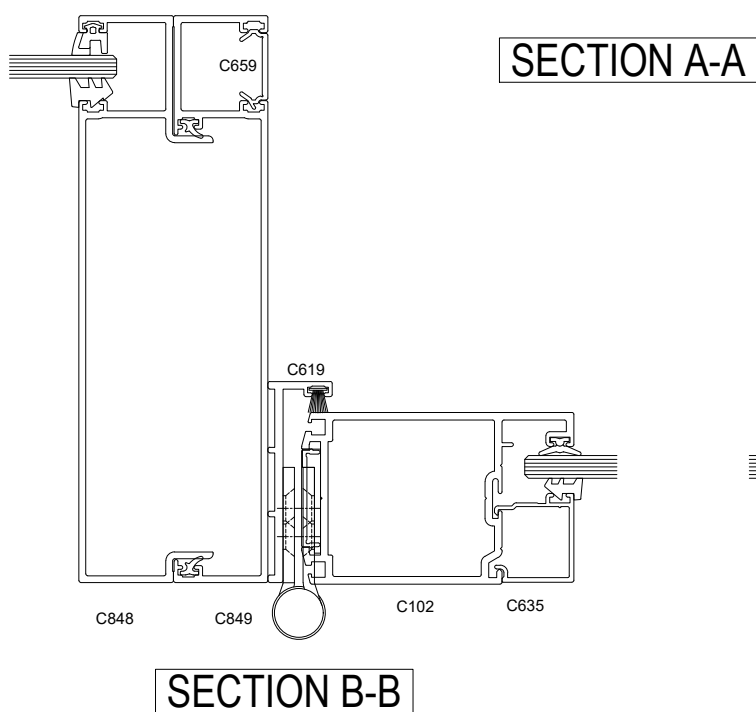
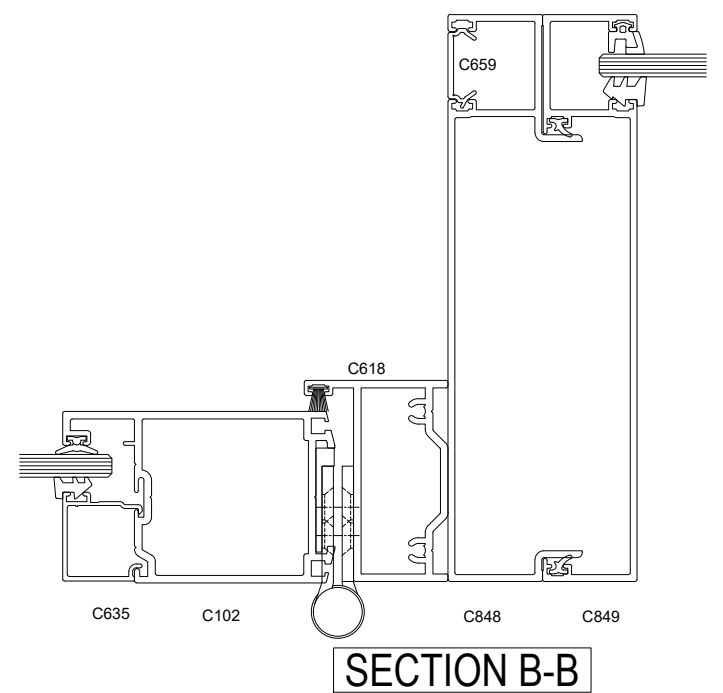
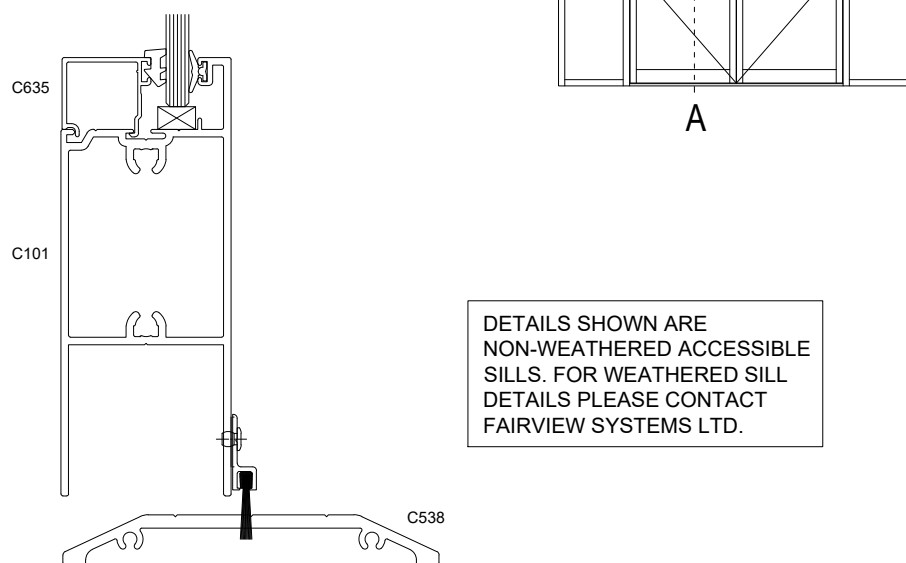
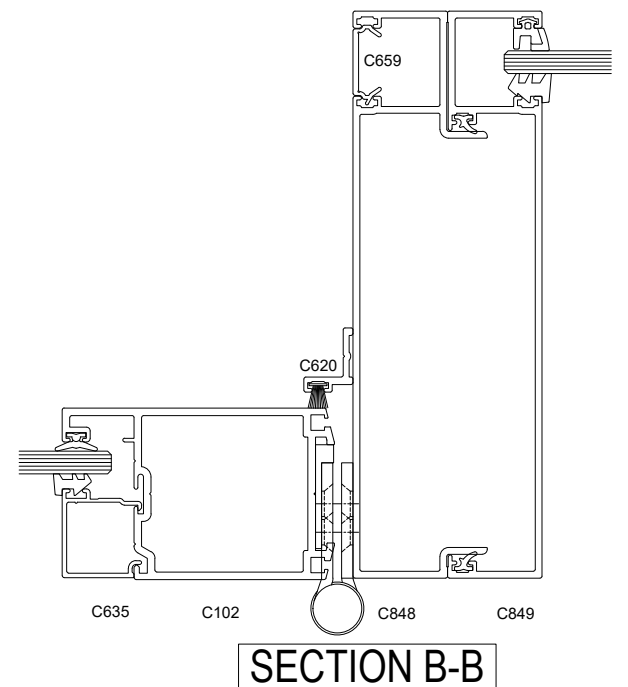
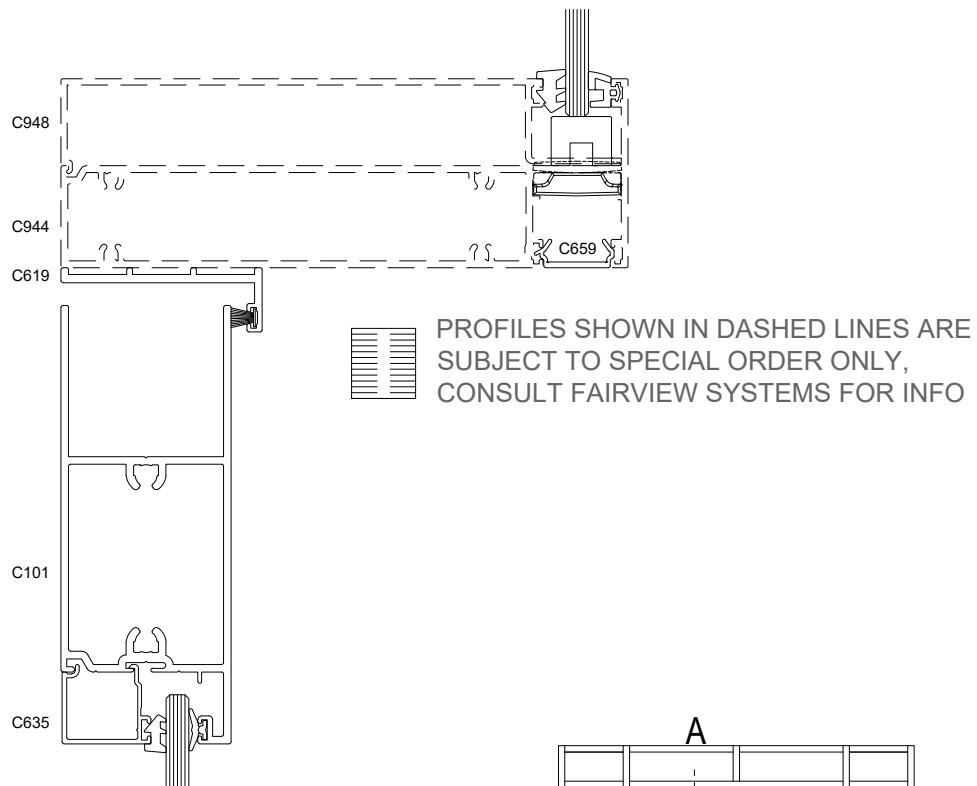
**SECTION F-F**

## 150mm REAR GLAZE FIXED GLAZING WINDOW

FAIRVIEW SYSTEMS LIMITED SPECIFIERS GUIDE 2014 © TECHNICAL SPECIFICATIONS & PROFILE DETAILS SUBJECT TO CHANGE WITHOUT NOTICE

**FAIRVIEW 50 COMMERCIAL FULL SUITE**

DATE 14.06.2018	SCALE 1:2
REF. RG150.0071	

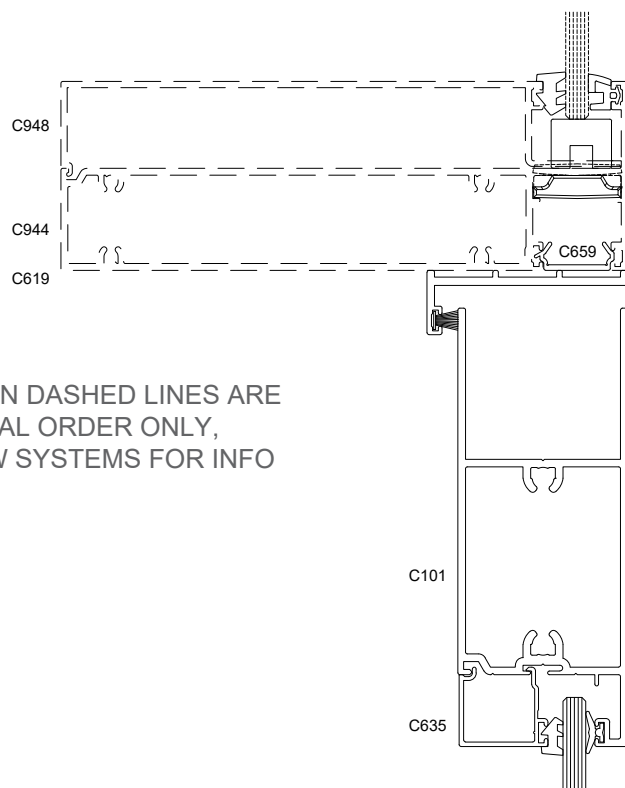


## 150mm REAR GLAZE HINGED DOOR OPEN OUT

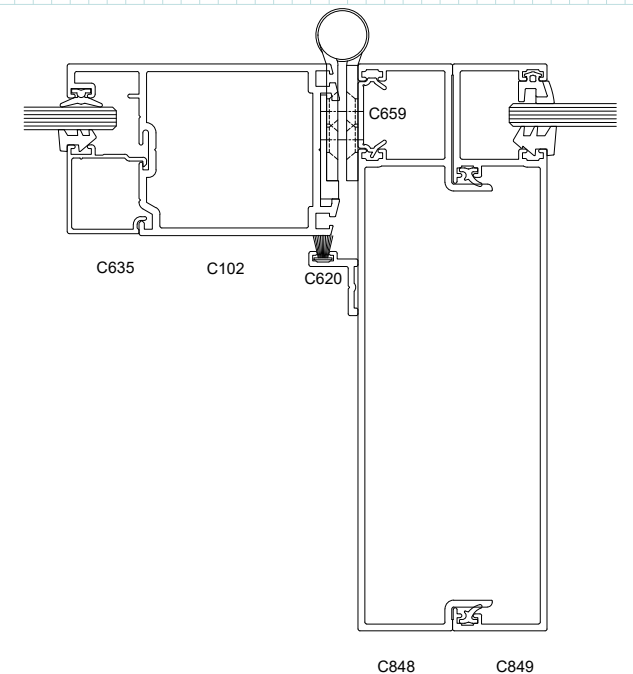
FAIRVIEW SYSTEMS LIMITED SPECIFIERS GUIDE 2014 © TECHNICAL SPECIFICATIONS & PROFILE DETAILS SUBJECT TO CHANGE WITHOUT NOTICE

**FAIRVIEW 50 COMMERCIAL FULL SUITE**

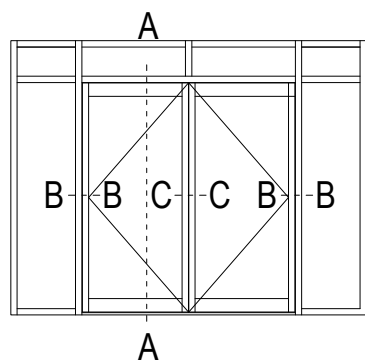
DATE 14.06.2018	SCALE 1:2
REF. RG150.0072	



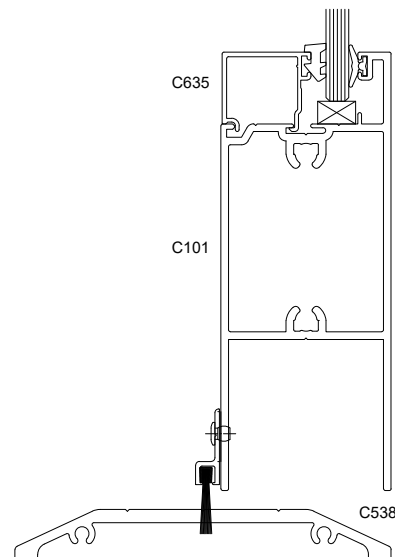
PROFILES SHOWN IN DASHED LINES ARE SUBJECT TO SPECIAL ORDER ONLY, CONSULT FAIRVIEW SYSTEMS FOR INFO



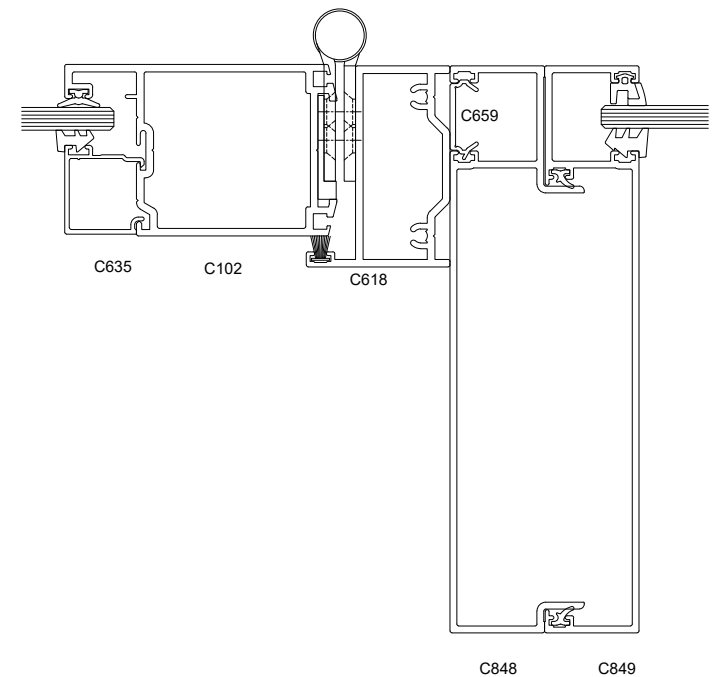
**SECTION B-B**



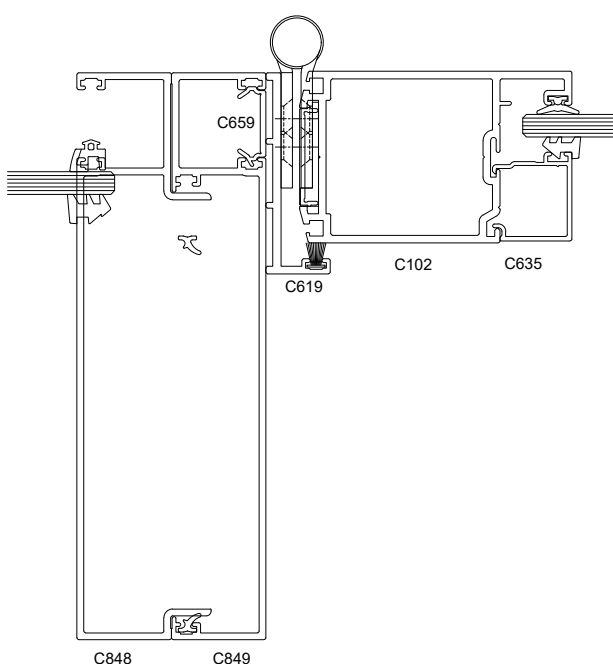
DETAILS SHOWN ARE NON-WEATHERED ACCESSIBLE SILLS. FOR WEATHERED SILL DETAILS PLEASE CONTACT FAIRVIEW SYSTEMS LTD.



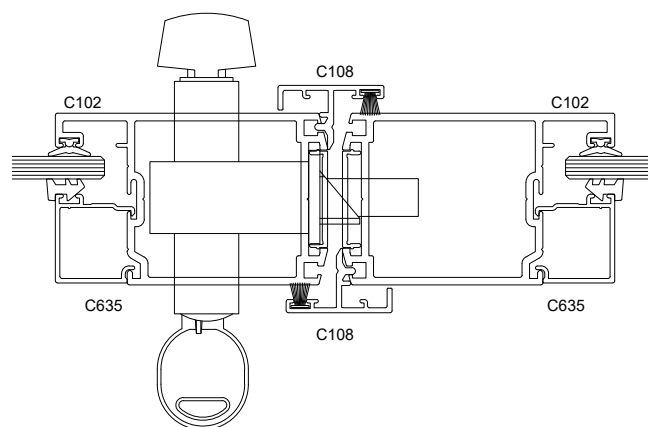
**SECTION A-A**



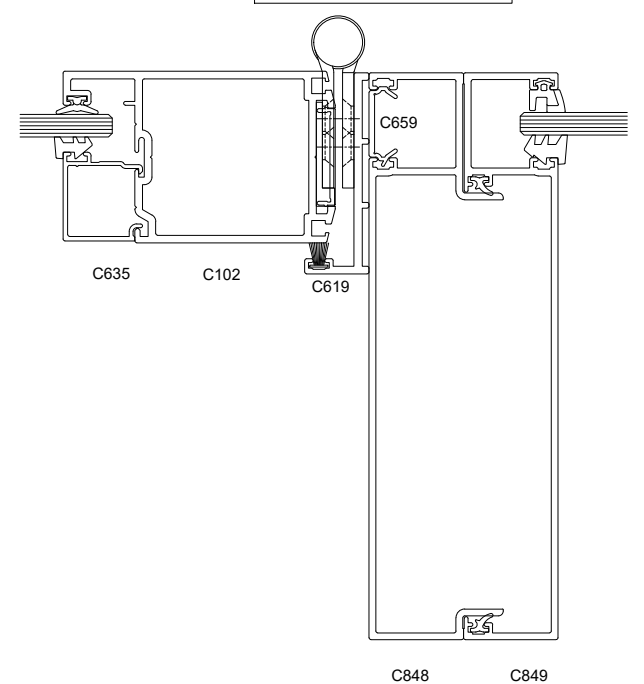
**SECTION B-B**



**SECTION B-B**



**SECTION C-C**



**SECTION B-B**

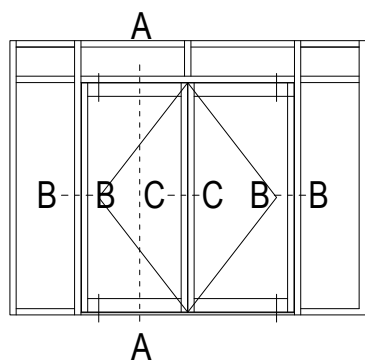
## 150mm REAR GLAZE HINGED DOOR OPEN IN

FAIRVIEW SYSTEMS LIMITED SPECIFIERS GUIDE 2014 © TECHNICAL SPECIFICATIONS & PROFILE DETAILS SUBJECT TO CHANGE WITHOUT NOTICE

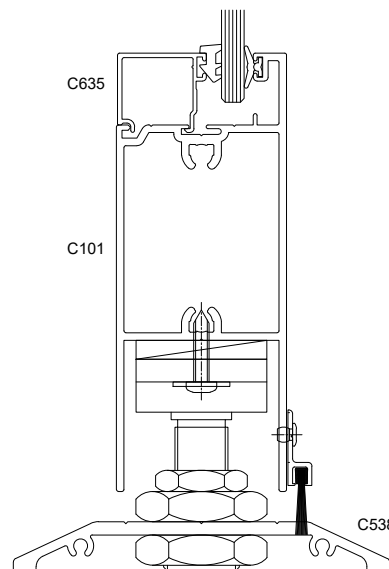
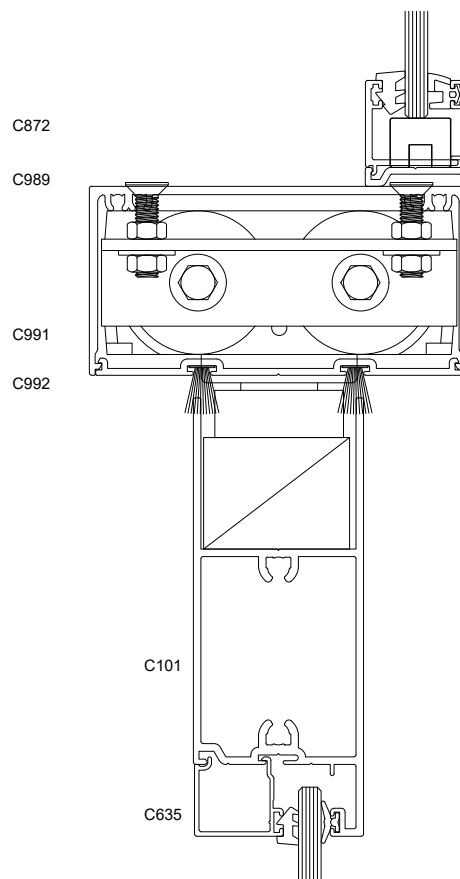
**FAIRVIEW 50 COMMERCIAL FULL SUITE**

DATE 14.06.2018	SCALE 1:2
REF. RG150.0073	

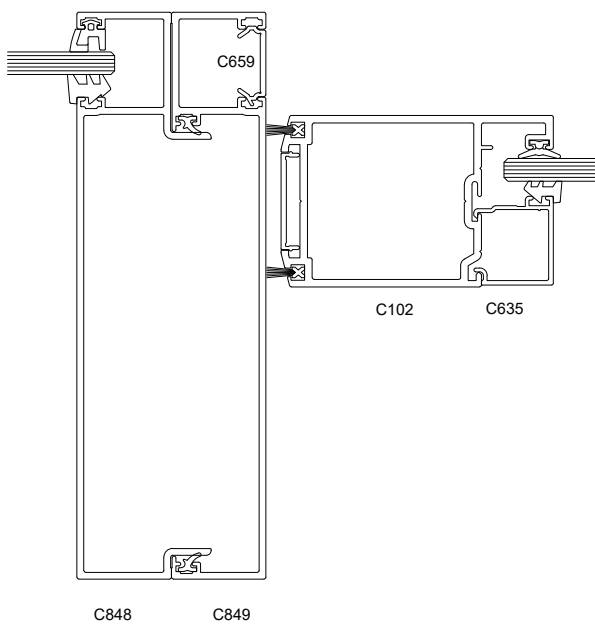




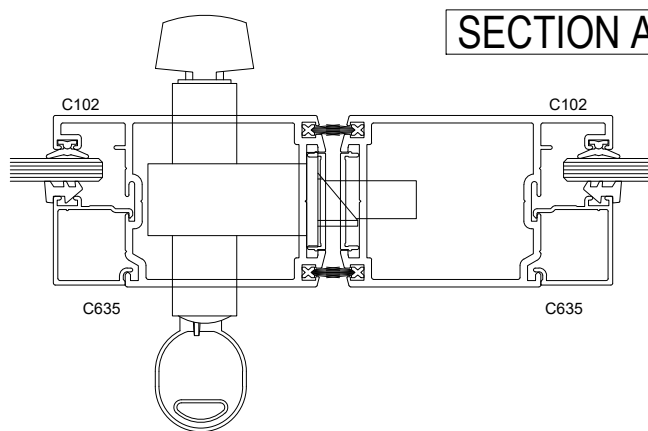
DETAILS SHOWN ARE  
NON-WEATHERED ACCESSIBLE  
SILLS. FOR WEATHERED SILL  
DETAILS PLEASE CONTACT  
FAIRVIEW SYSTEMS LTD.



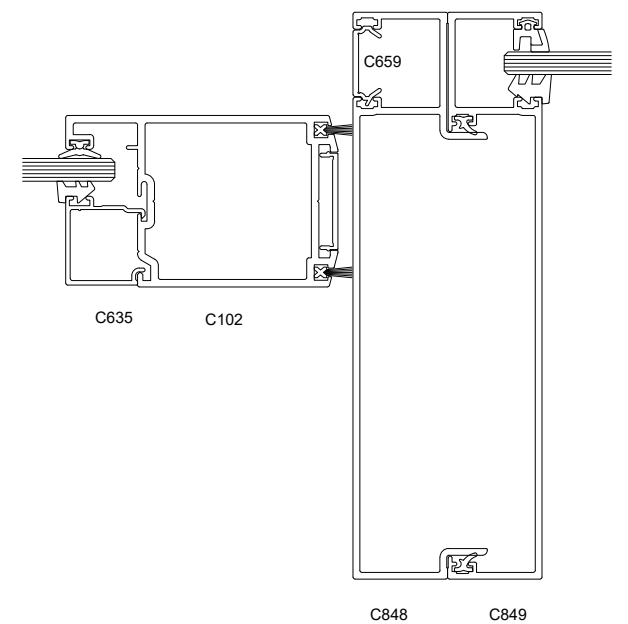
**SECTION A-A**



**SECTION B-B**



**SECTION C-C**




**SECTION B-B**

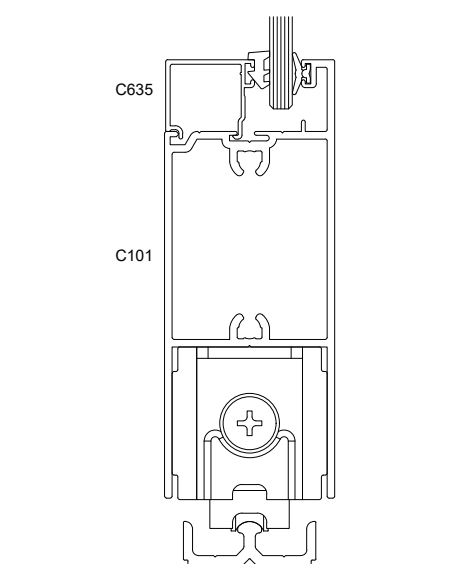
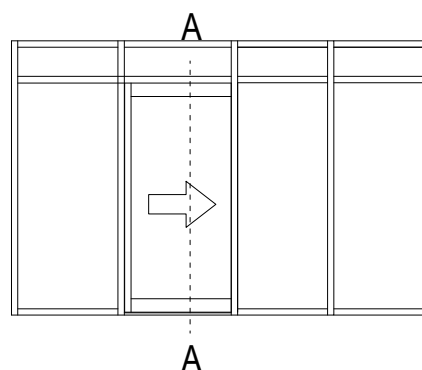
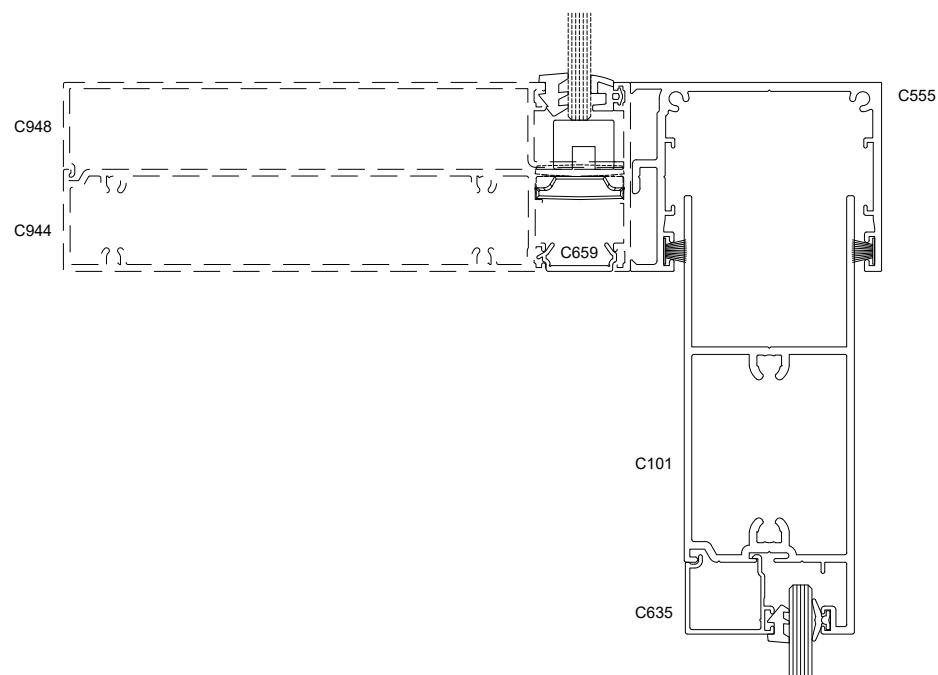
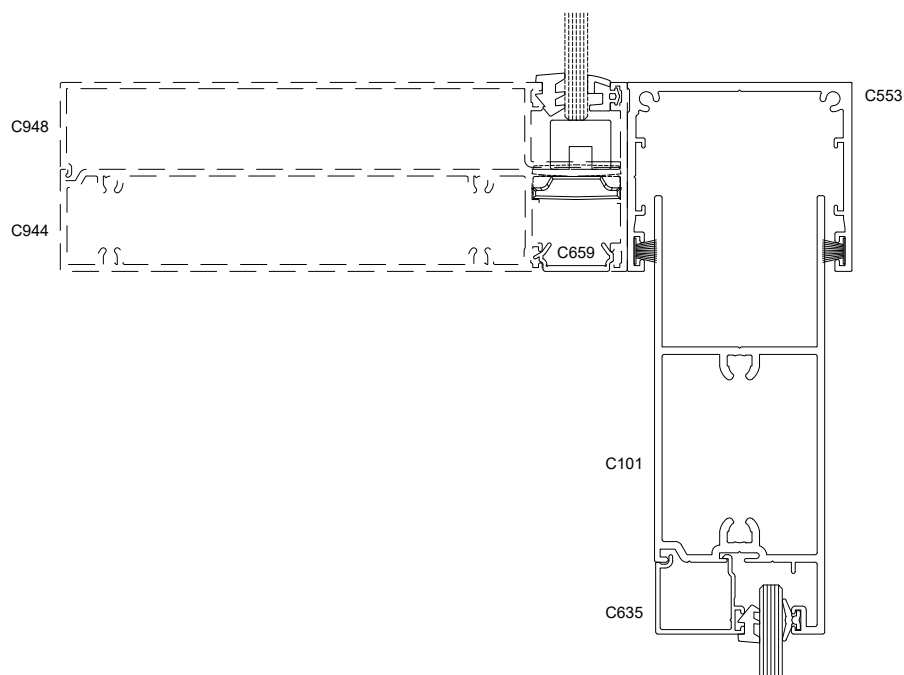
## 150mm REAR GLAZE PIVOT DOOR

FAIRVIEW SYSTEMS LIMITED SPECIFIERS GUIDE 2014 © TECHNICAL SPECIFICATIONS & PROFILE DETAILS SUBJECT TO CHANGE WITHOUT NOTICE

**FAIRVIEW 50 COMMERCIAL FULL SUITE**

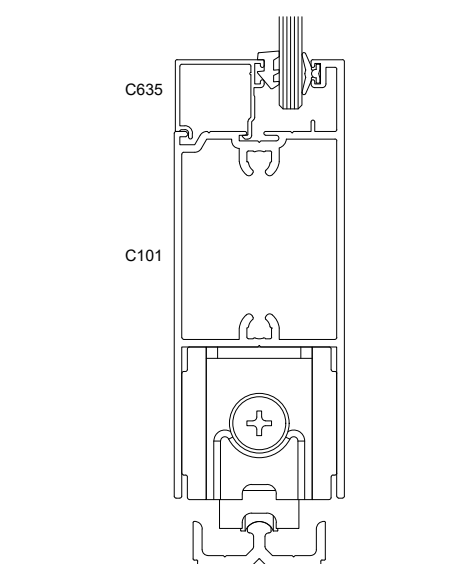
DATE 14.06.2018	SCALE 1:2
REF. RG150.0074	

 PROFILES SHOWN IN DASHED LINES ARE SUBJECT TO SPECIAL ORDER ONLY, CONSULT FAIRVIEW SYSTEMS FOR INFO



**SECTION A-A**

**NON-INTERLOCKED**



**SECTION A-A**

**INTERLOCKED**

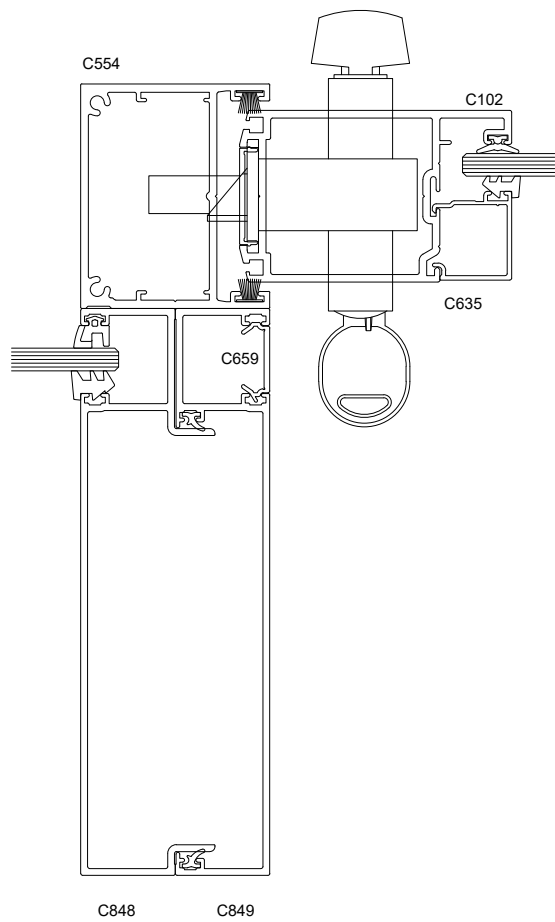
DETAILS SHOWN ARE NON-WEATHERED ACCESSIBLE SILLS. FOR WEATHERED SILL DETAILS PLEASE CONTACT FAIRVIEW SYSTEMS LTD.

## 150mm REAR GLAZE SLIDING DOOR

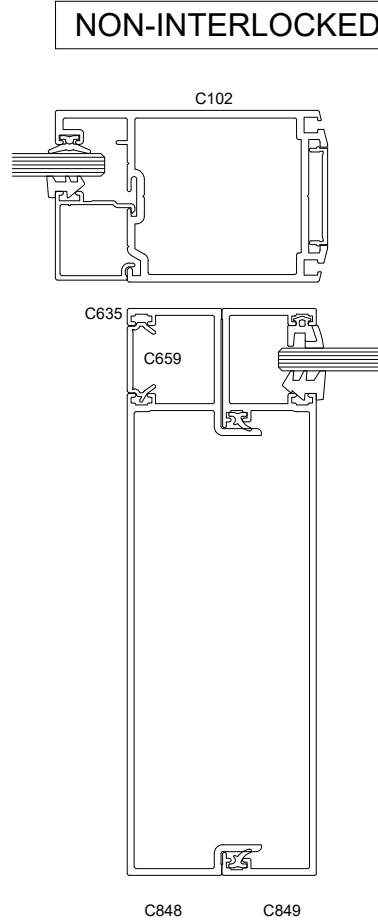
FAIRVIEW SYSTEMS LIMITED SPECIFIERS GUIDE 2014 © TECHNICAL SPECIFICATIONS & PROFILE DETAILS SUBJECT TO CHANGE WITHOUT NOTICE

**FAIRVIEW 50 COMMERCIAL FULL SUITE**

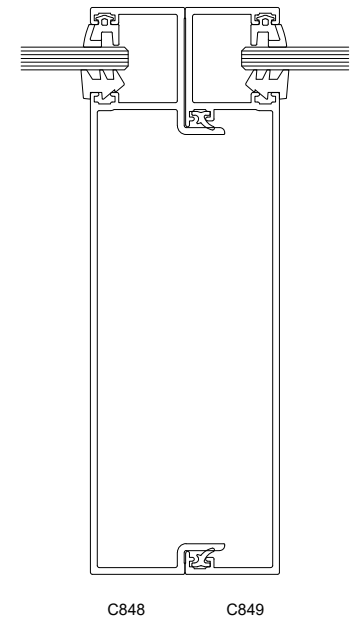
DATE 14.06.2018	SCALE 1:2
REF. RG150.0075	



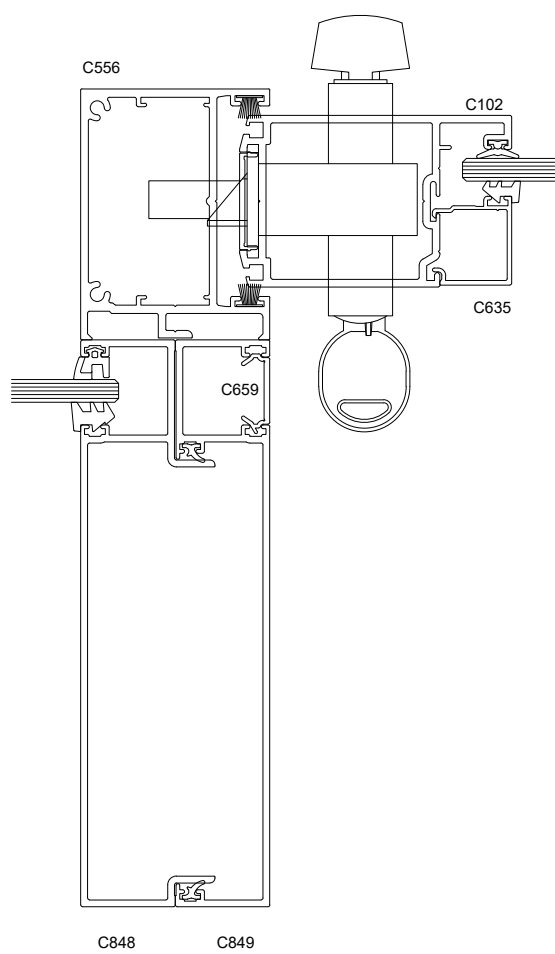
SECTION A-A



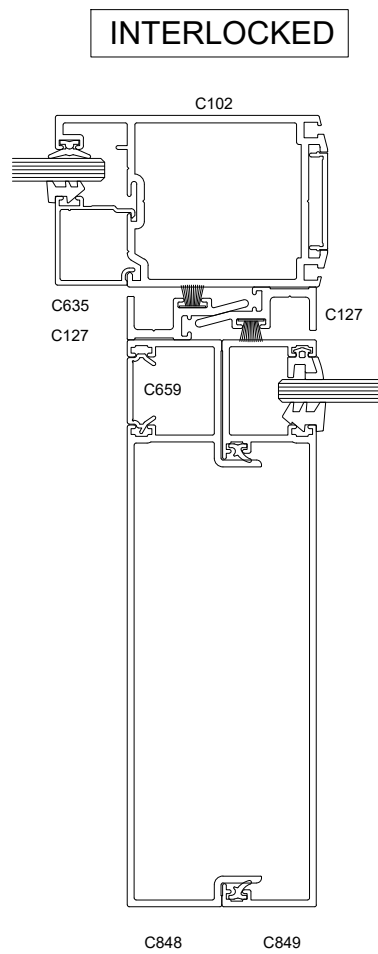
SECTION B-B



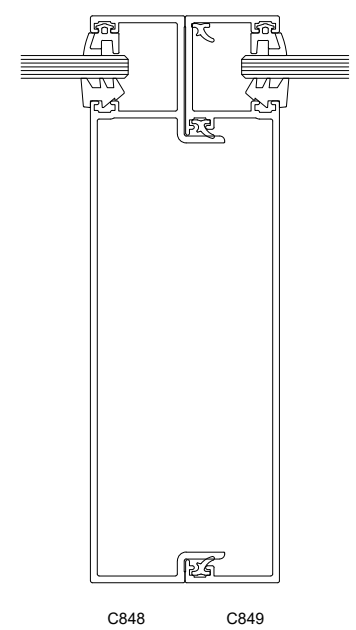
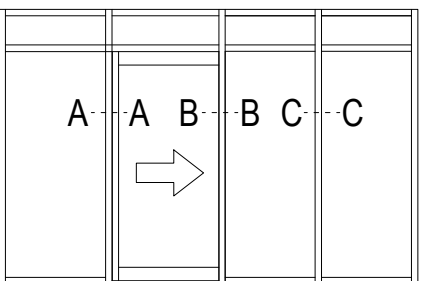
SECTION C-C



SECTION A-A



SECTION B-B



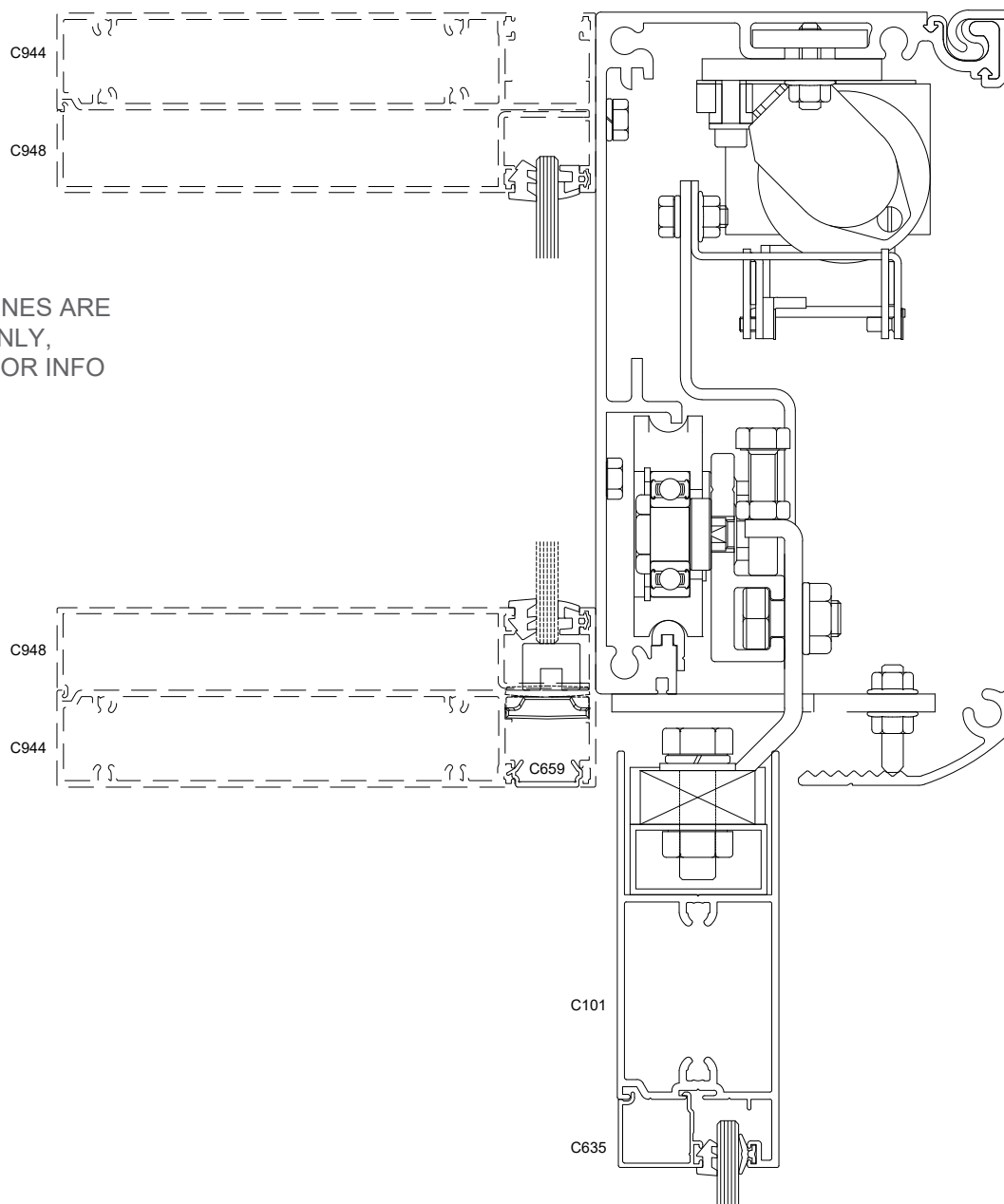
SECTION C-C


## 150mm REAR GLAZE SLIDING DOOR

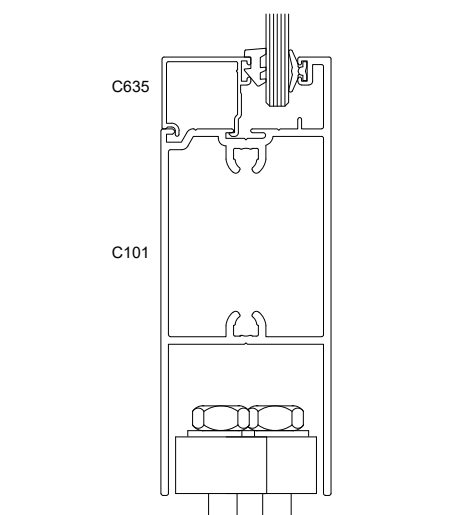
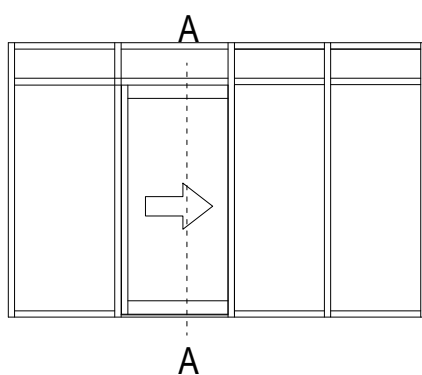
FAIRVIEW SYSTEMS LIMITED SPECIFIERS GUIDE 2014 © TECHNICAL SPECIFICATIONS & PROFILE DETAILS SUBJECT TO CHANGE WITHOUT NOTICE

**FAIRVIEW 50 COMMERCIAL FULL SUITE**

DATE 14.06.2018	SCALE 1:2
REF. RG150.0076	




 PROFILES SHOWN IN DASHED LINES ARE SUBJECT TO SPECIAL ORDER ONLY, CONSULT FAIRVIEW SYSTEMS FOR INFO



**SECTION A-A**

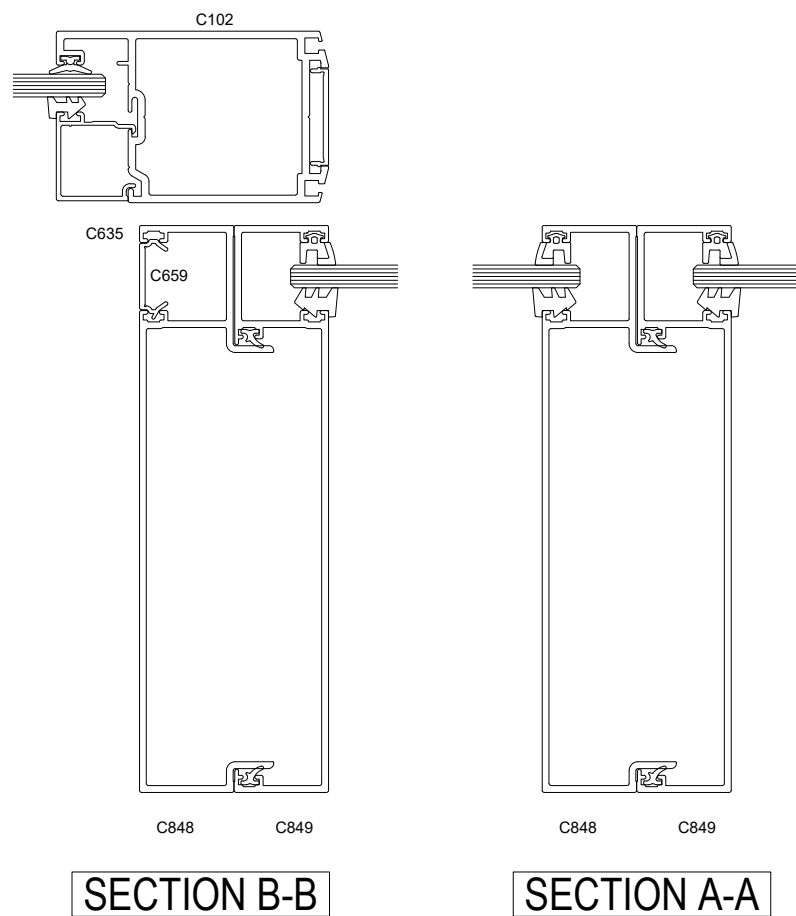
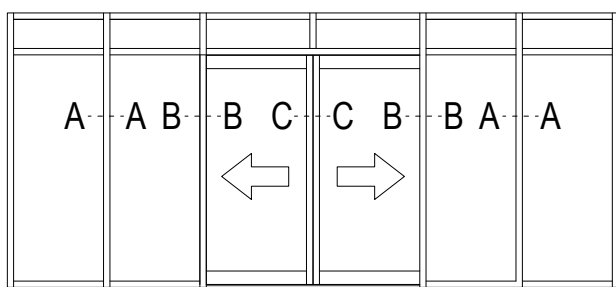
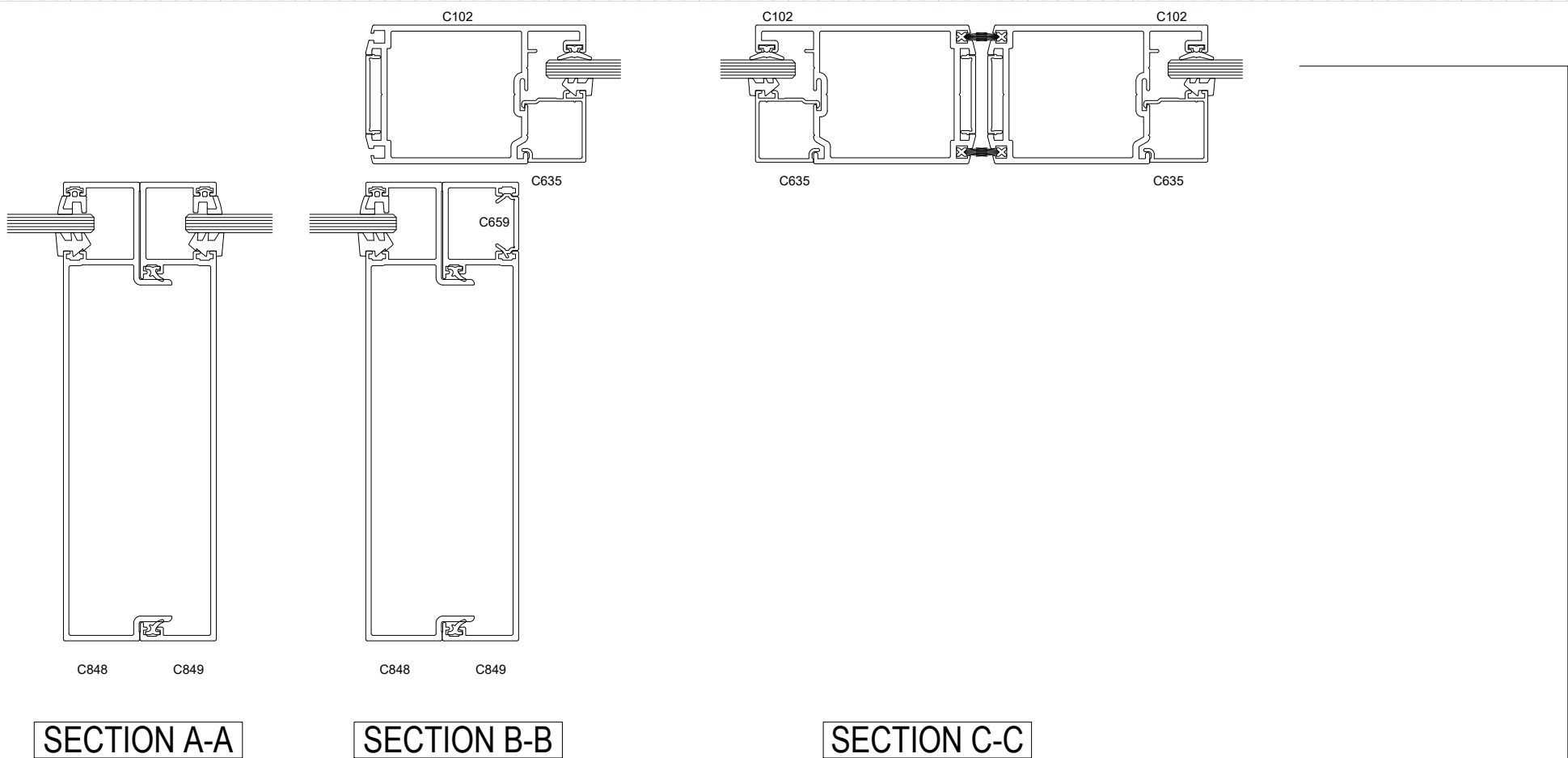
DETAILS SHOWN ARE NON-WEATHERED ACCESSIBLE SILLS. FOR WEATHERED SILL DETAILS PLEASE CONTACT FAIRVIEW SYSTEMS LTD.

## 150mm REAR GLAZE AUTO SLIDING DOOR

FAIRVIEW SYSTEMS LIMITED SPECIFIERS GUIDE 2014 © TECHNICAL SPECIFICATIONS & PROFILE DETAILS SUBJECT TO CHANGE WITHOUT NOTICE

**FAIRVIEW 50 COMMERCIAL FULL SUITE**

DATE 14.06.2018	SCALE 1:2
REF. RG150.0077	

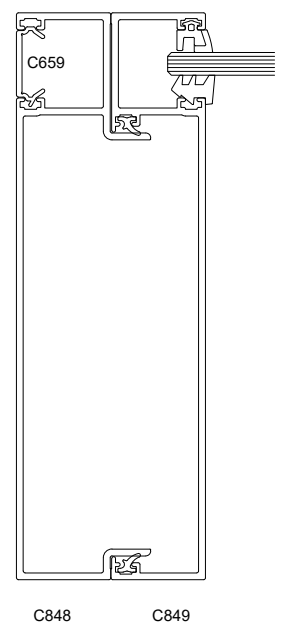
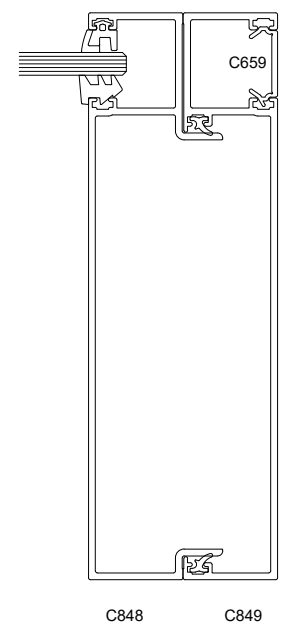
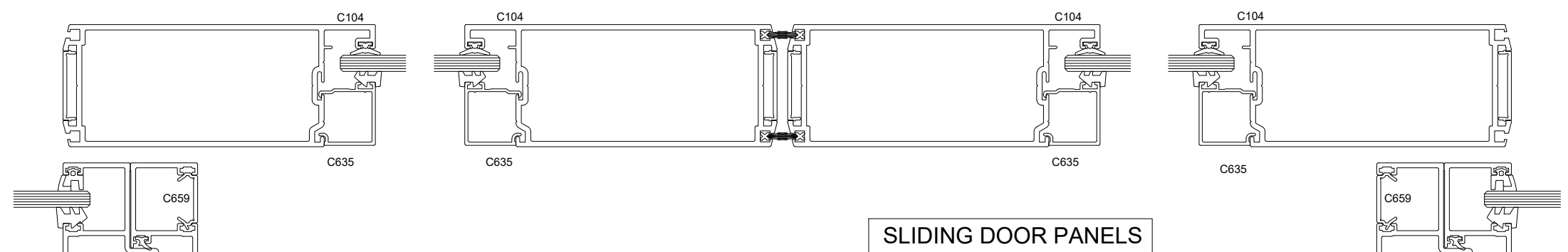
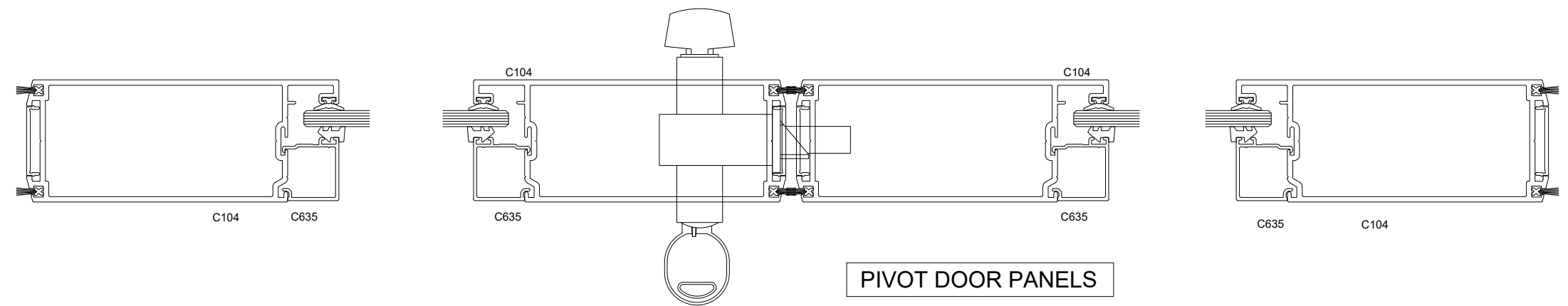
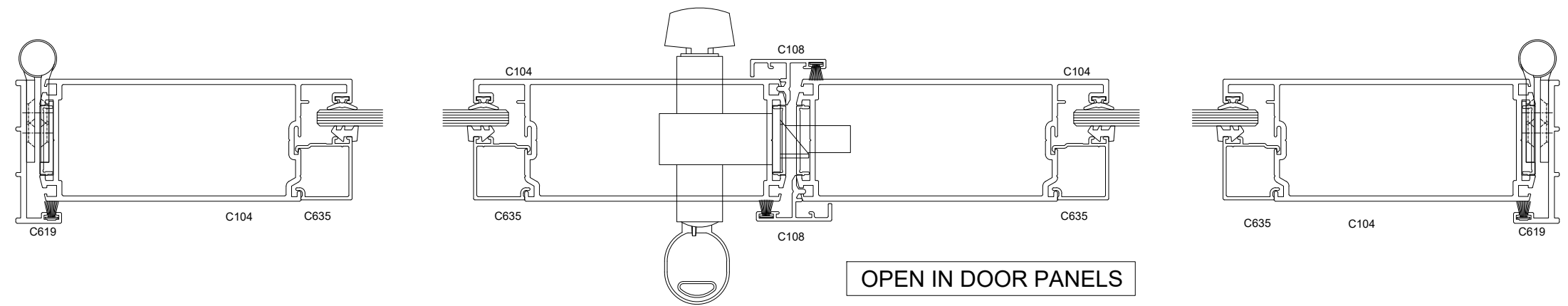
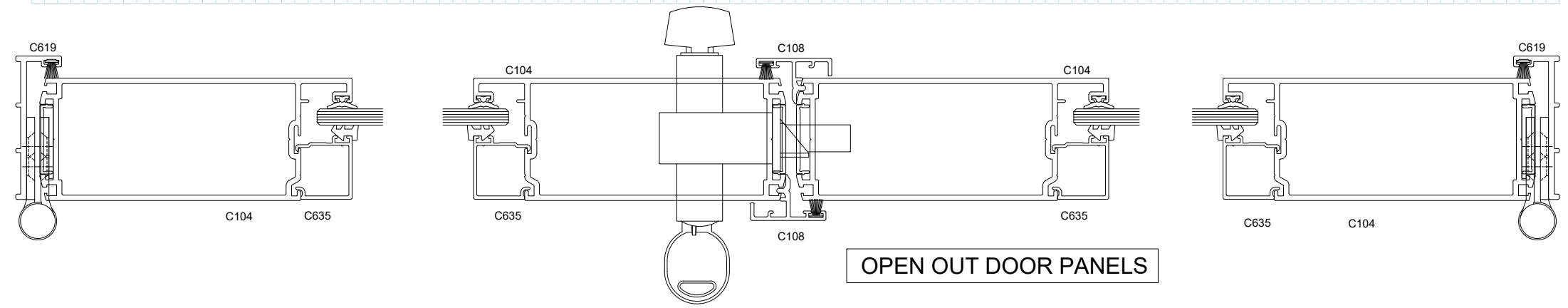


## 150mm REAR GLAZE AUTO SLIDING DOOR

FAIRVIEW SYSTEMS LIMITED SPECIFIERS GUIDE 2014 © TECHNICAL SPECIFICATIONS & PROFILE DETAILS SUBJECT TO CHANGE WITHOUT NOTICE

**FAIRVIEW 50 COMMERCIAL FULL SUITE**

DATE 14.06.2018	SCALE 1:2
REF. RG150.0078	

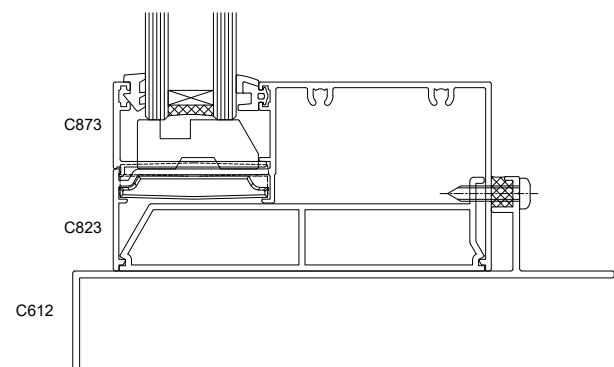
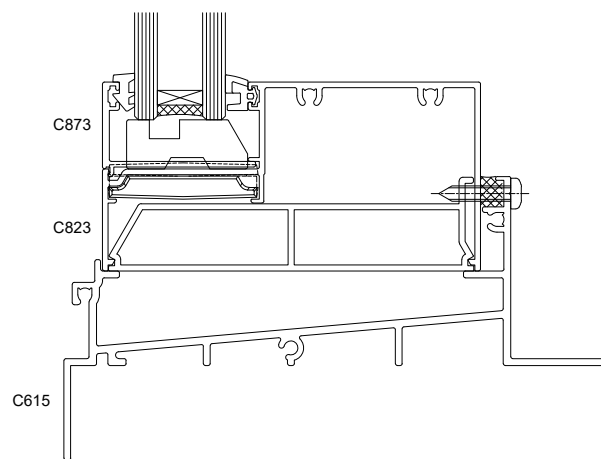
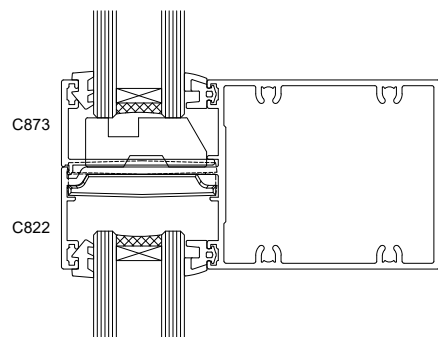
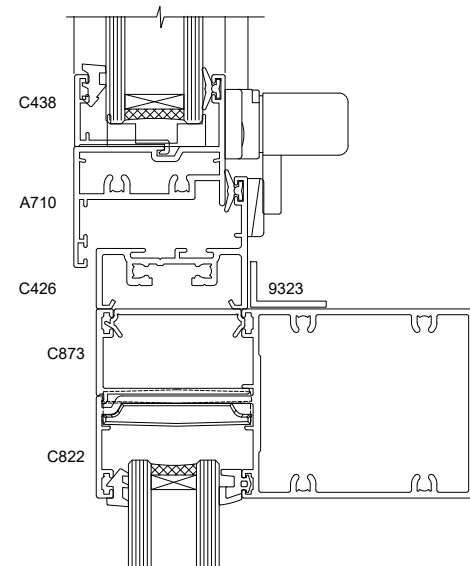
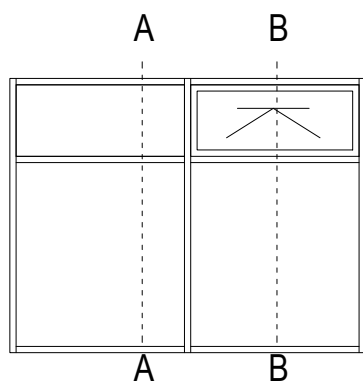
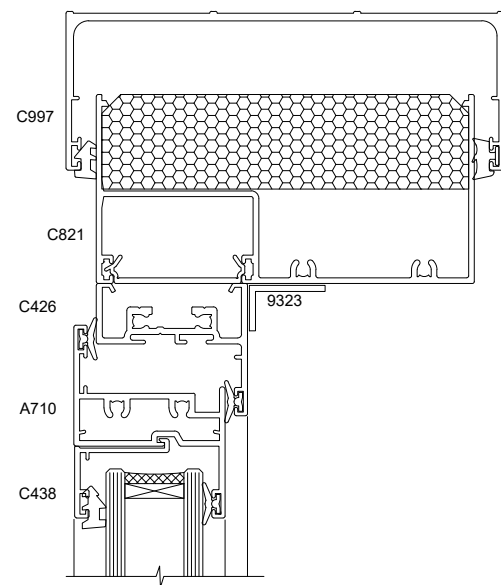
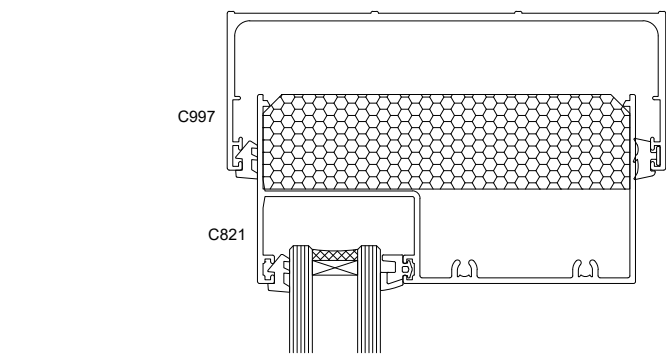


## 150mm REAR GLAZE WIDE DOOR STILES

FAIRVIEW SYSTEMS LIMITED SPECIFIERS GUIDE 2014 © TECHNICAL SPECIFICATIONS & PROFILE DETAILS SUBJECT TO CHANGE WITHOUT NOTICE

**FAIRVIEW 50 COMMERCIAL FULL SUITE**

DATE 14.06.2018	SCALE 1:2
REF. RG150.0079	



ALTERNATIVE SILL

SECTION A-A

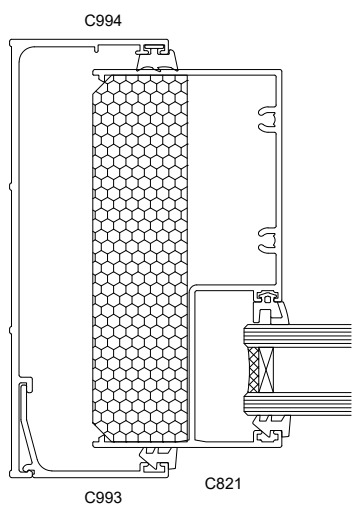
SECTION B-B

## 100mm FRONT GLAZE FIXED GLAZING WINDOW

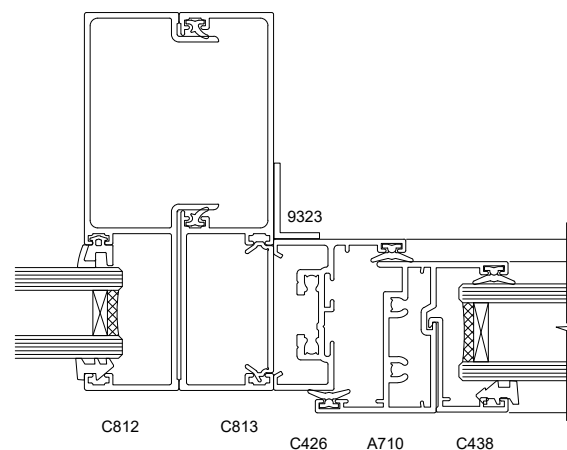
FAIRVIEW SYSTEMS LIMITED SPECIFIERS GUIDE 2014 © TECHNICAL SPECIFICATIONS & PROFILE DETAILS SUBJECT TO CHANGE WITHOUT NOTICE

FAIRVIEW 50 COMMERCIAL FULL SUITE

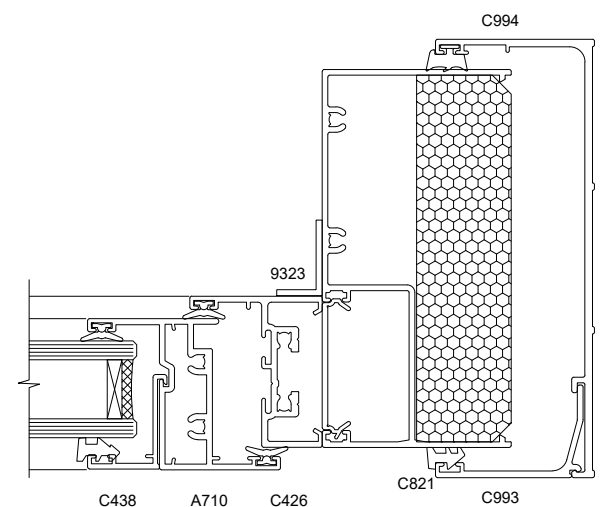
DATE 14.06.2018	SCALE 1:2
REF. FG100.1010	



SECTION A-A

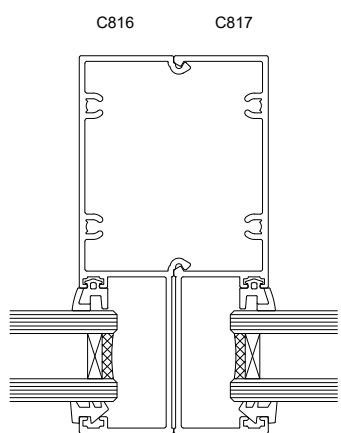
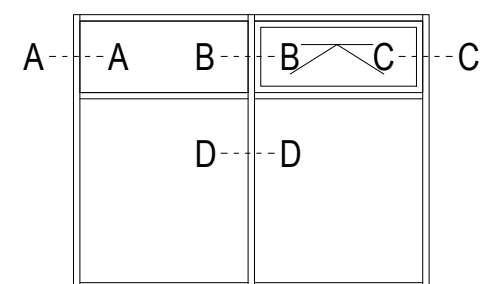


SECTION B-B

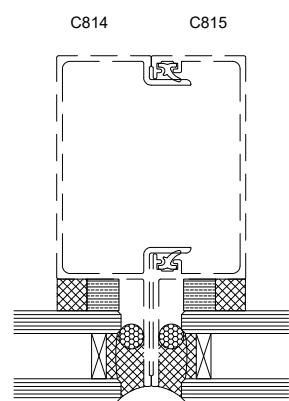


SECTION C-C

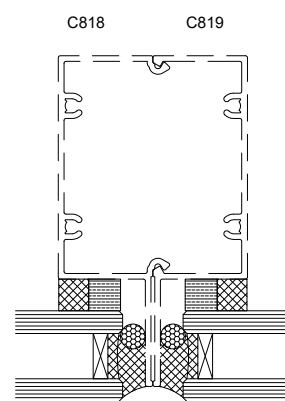
PROFILES SHOWN IN DASHED LINES ARE SUBJECT TO SPECIAL ORDER ONLY, CONSULT FAIRVIEW SYSTEMS FOR INFO



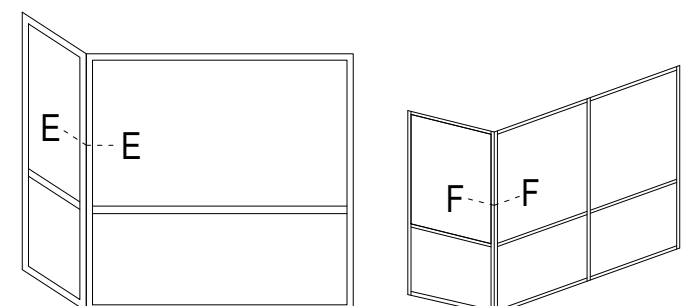
SECTION D-D



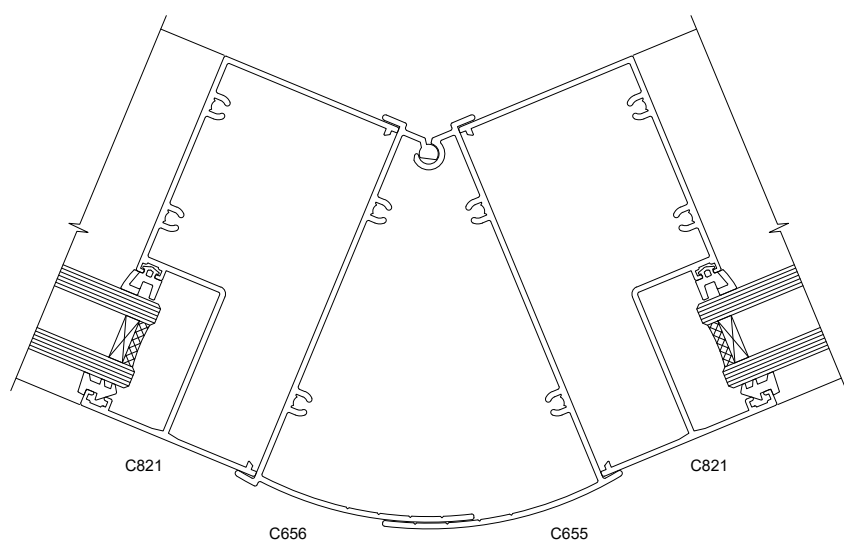
SECTION D-D



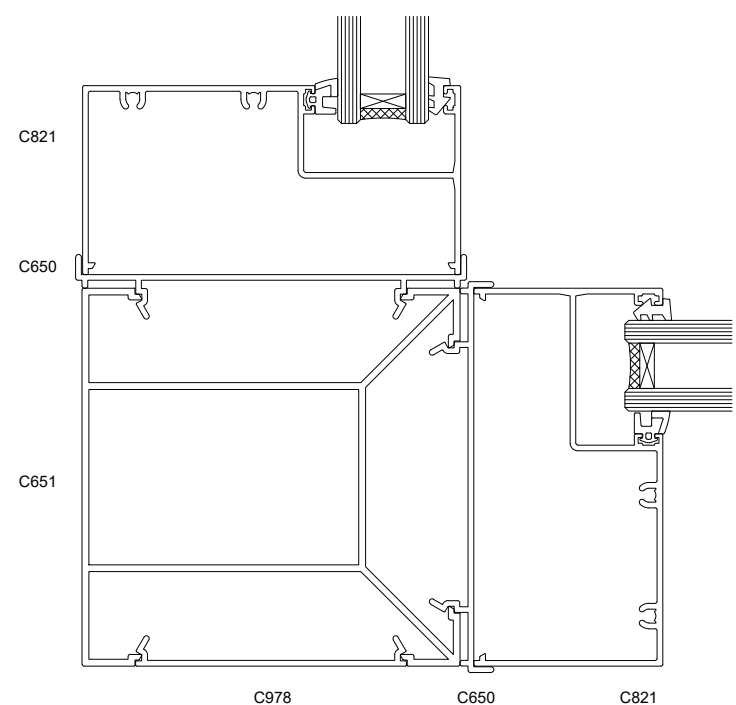
SECTION D-D



ALTERNATIVE MULLIONS



SECTION E-E



SECTION F-F

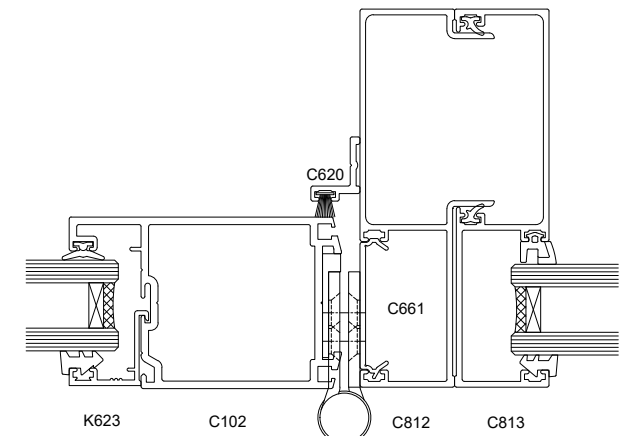
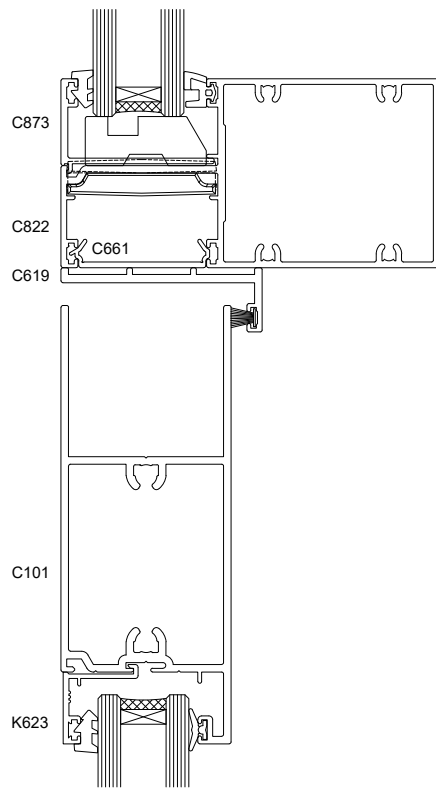
## 100mm FRONT GLAZE FIXED GLAZING WINDOW

FAIRVIEW SYSTEMS LIMITED SPECIFIERS GUIDE 2014 © TECHNICAL SPECIFICATIONS & PROFILE DETAILS SUBJECT TO CHANGE WITHOUT NOTICE

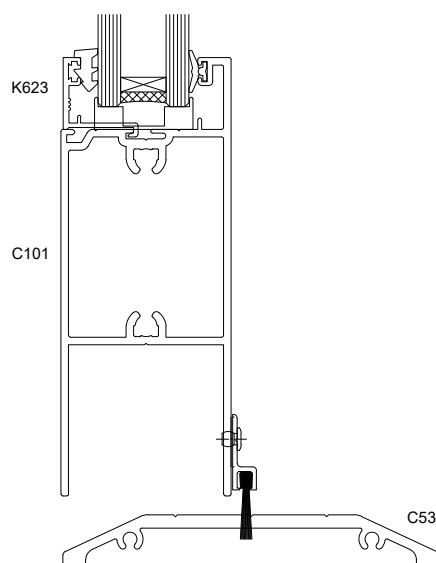
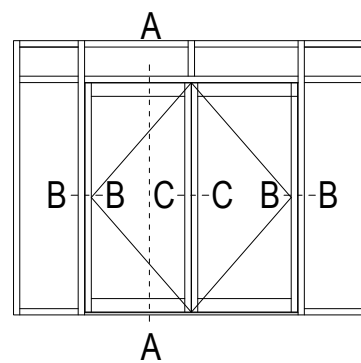
FAIRVIEW 50 COMMERCIAL FULL SUITE

DATE 14.06.2018	SCALE 1:2
REF. FG100.1011	

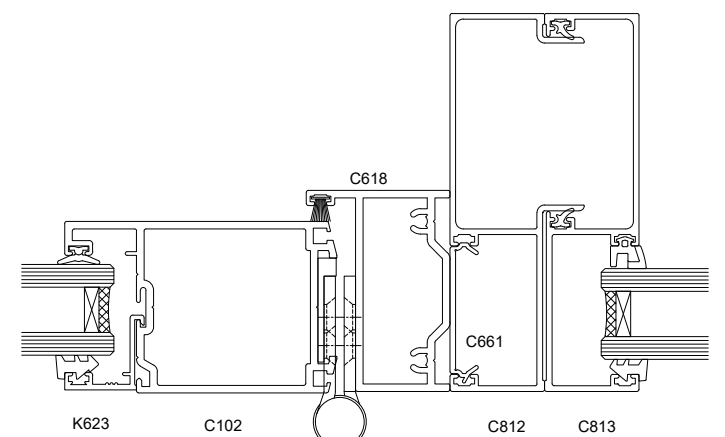




SECTION B-B

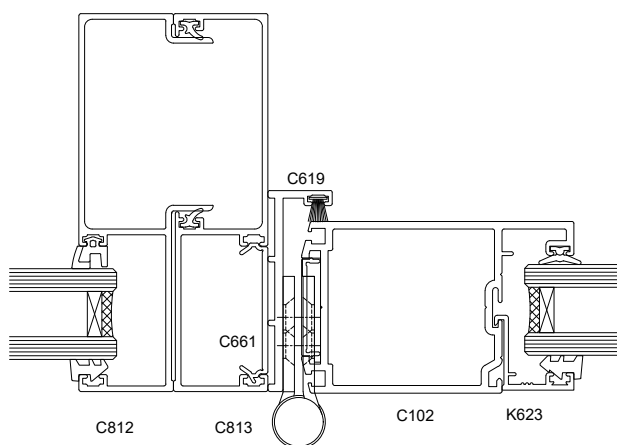


SECTION A-A

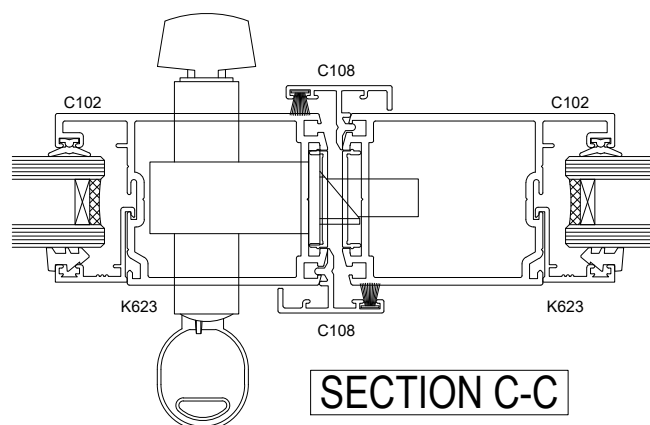


SECTION B-B

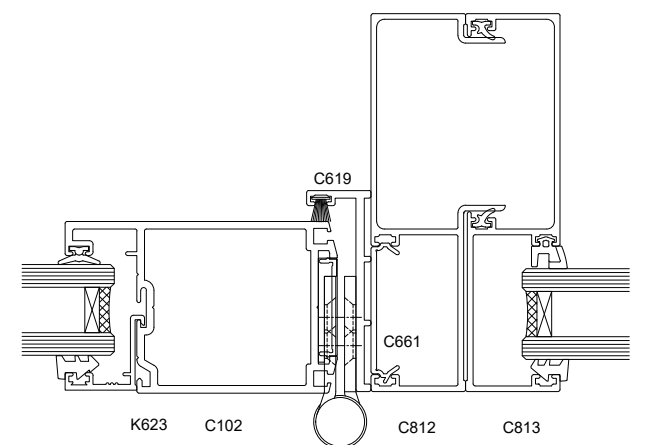
DETAILS SHOWN ARE NON-WEATHERED SILLS. FOR WEATHERED SILL DETAILS PLEASE CONTACT FAIRVIEW SYSTEMS LTD.



SECTION B-B



SECTION C-C



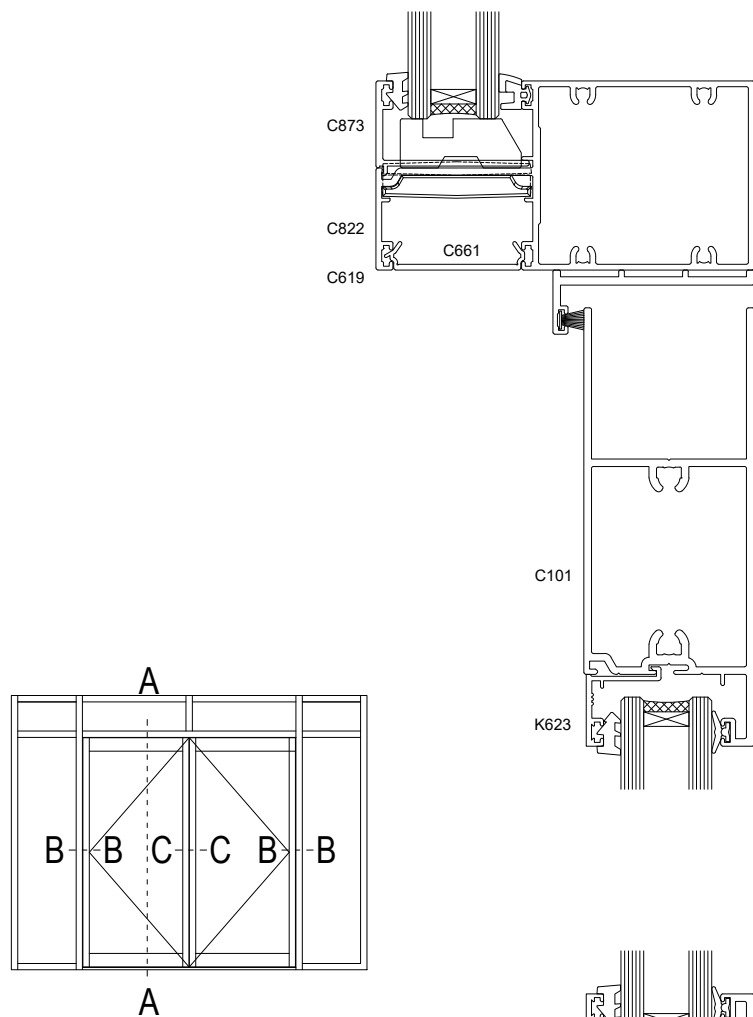
SECTION B-B

## 100mm FRONT GLAZE HINGED DOOR OPEN OUT

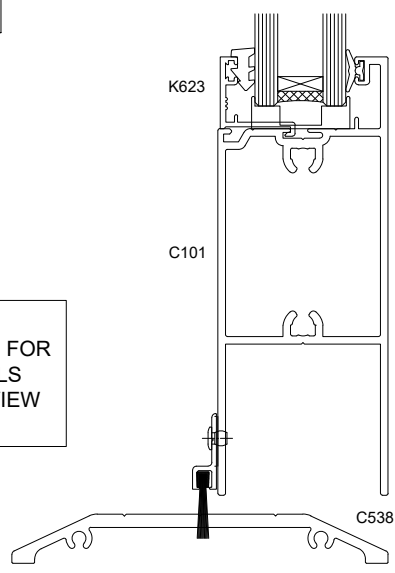
FAIRVIEW SYSTEMS LIMITED SPECIFIERS GUIDE 2014 © TECHNICAL SPECIFICATIONS & PROFILE DETAILS SUBJECT TO CHANGE WITHOUT NOTICE

### FAIRVIEW 50 COMMERCIAL FULL SUITE

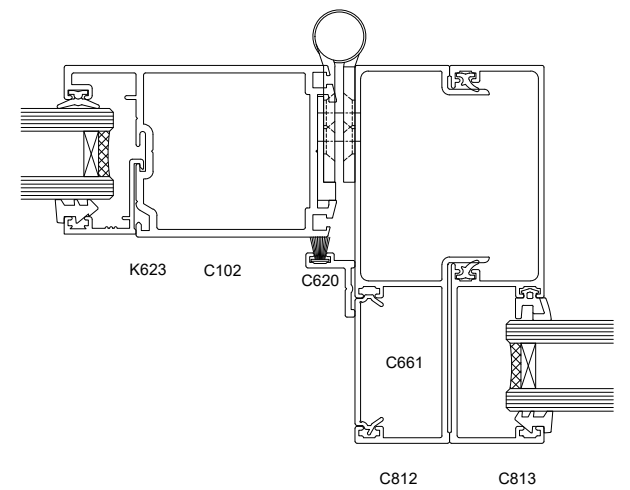
DATE 14.06.2018	SCALE 1:2
REF. FG100.1012	



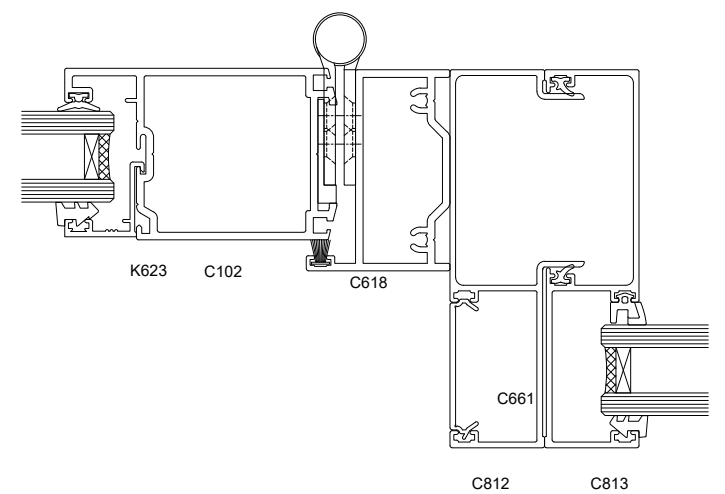
DETAILS SHOWN ARE  
NON-WEATHERED SILLS. FOR  
WEATHERED SILL DETAILS  
PLEASE CONTACT FAIRVIEW  
SYSTEMS LTD.



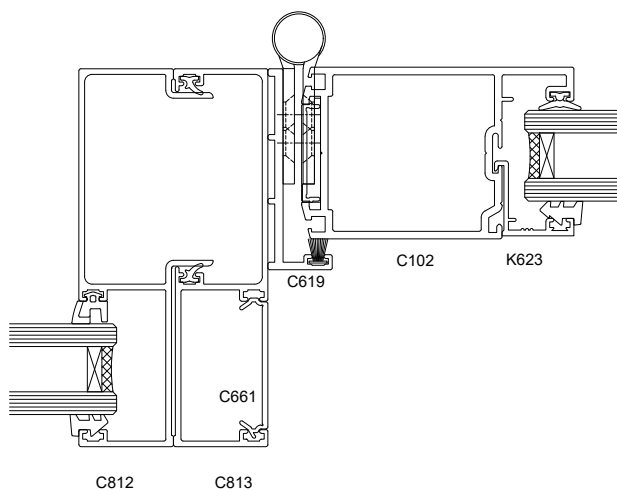
**SECTION A-A**



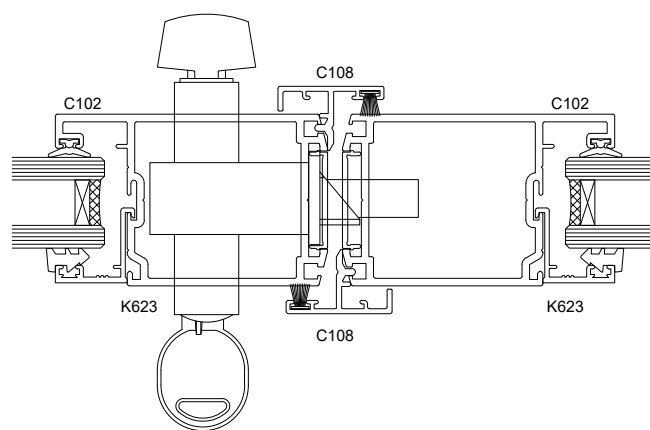
**SECTION B-B**



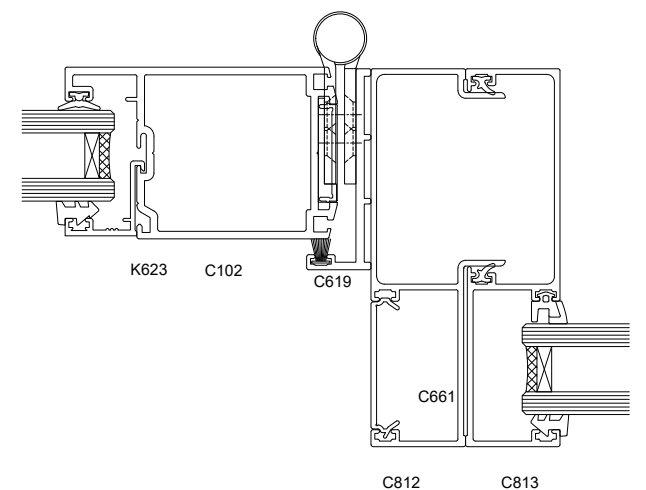
**SECTION B-B**



**SECTION B-B**



**SECTION C-C**



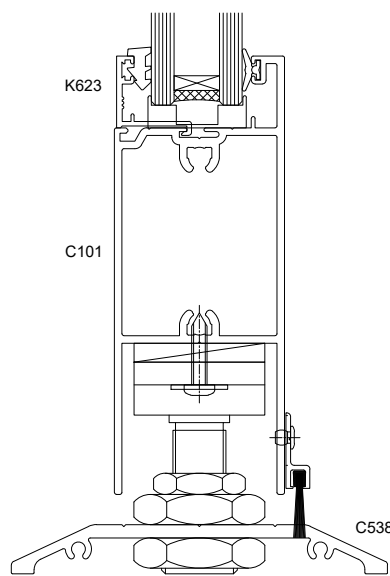
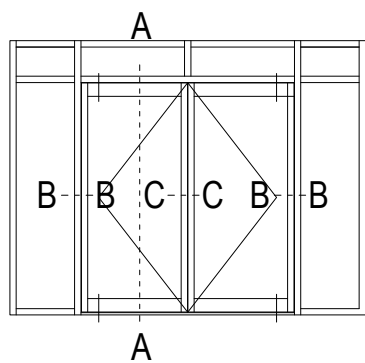
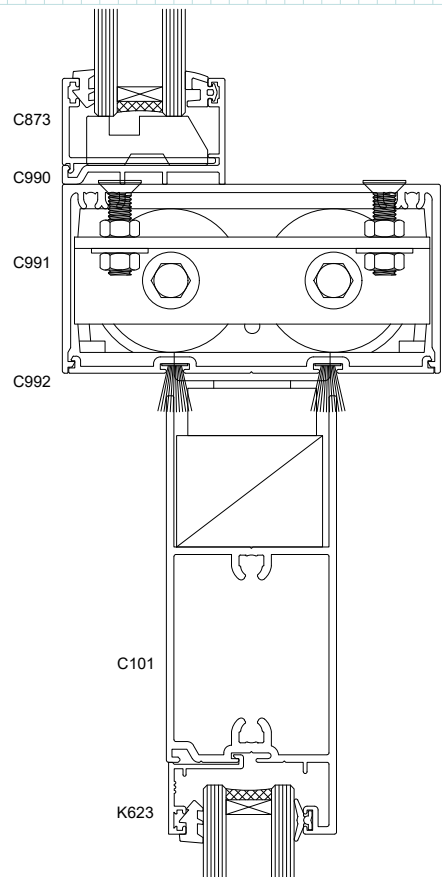
**SECTION B-B**

## 100mm FRONT GLAZE HINGED DOOR OPEN IN

FAIRVIEW SYSTEMS LIMITED SPECIFIERS GUIDE 2014 © TECHNICAL SPECIFICATIONS & PROFILE DETAILS SUBJECT TO CHANGE WITHOUT NOTICE

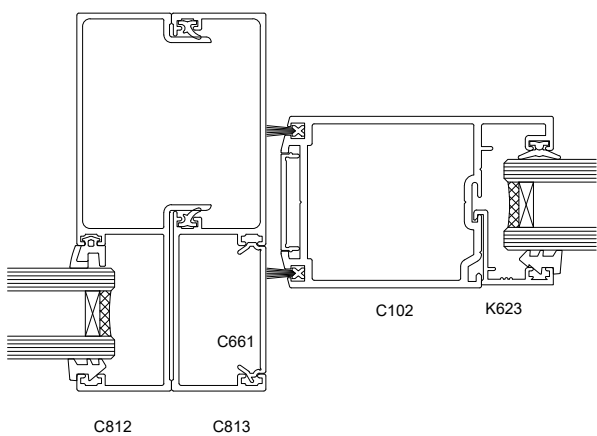
### FAIRVIEW 50 COMMERCIAL FULL SUITE

DATE 14.06.2018	SCALE 1:2
REF. FG100.1013	

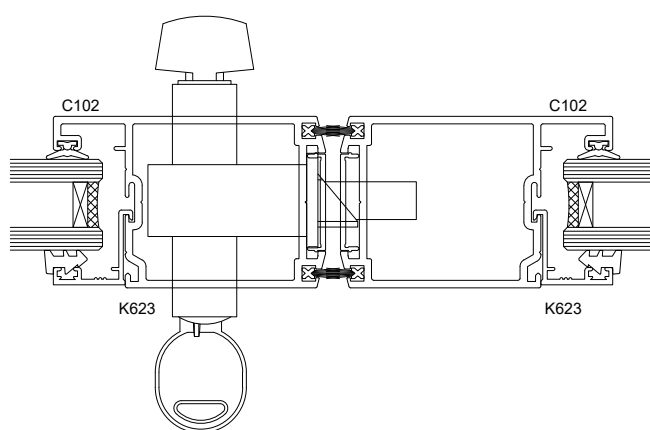


DETAILS SHOWN ARE  
NON-WEATHERED SILLS. FOR  
WEATHERED SILL DETAILS  
PLEASE CONTACT FAIRVIEW  
SYSTEMS LTD.

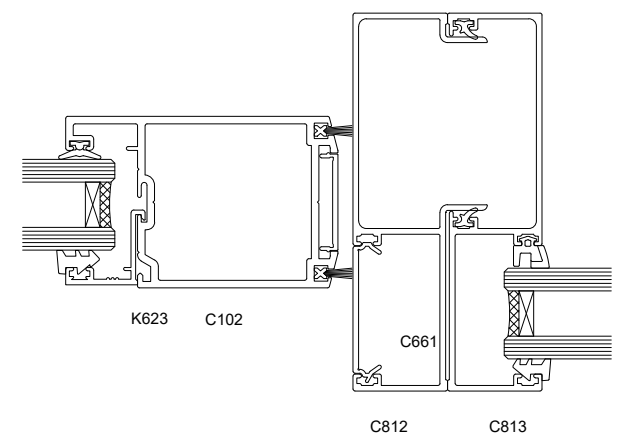
**SECTION A-A**



**SECTION B-B**



**SECTION C-C**



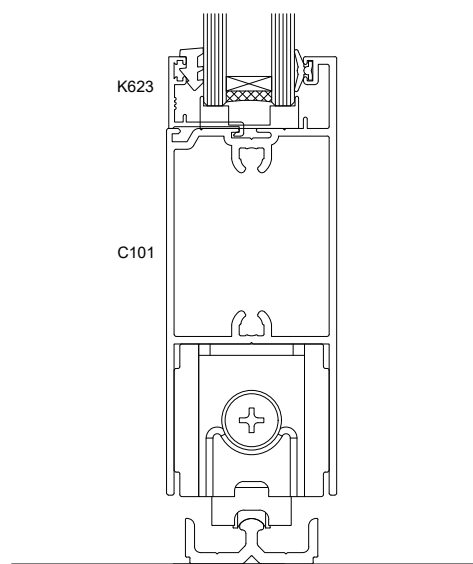
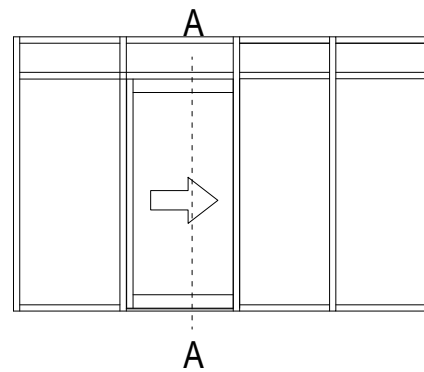
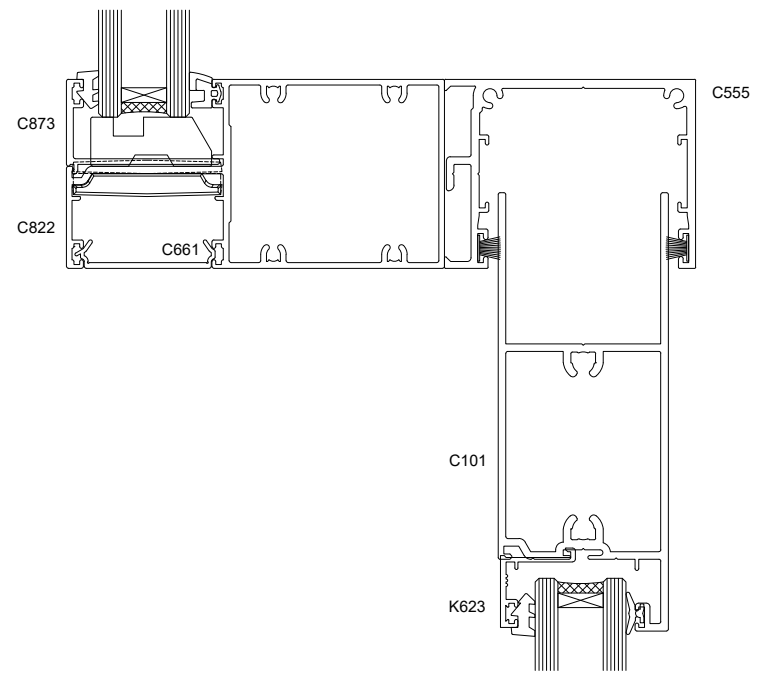
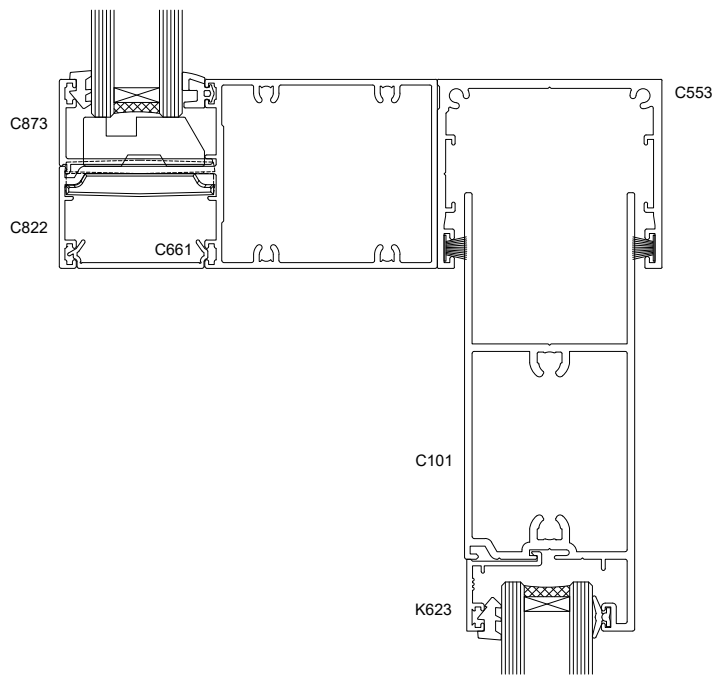
**SECTION B-B**

## 100mm FRONT GLAZE PIVOT DOOR

FAIRVIEW SYSTEMS LIMITED SPECIFIERS GUIDE 2014 © TECHNICAL SPECIFICATIONS & PROFILE DETAILS SUBJECT TO CHANGE WITHOUT NOTICE

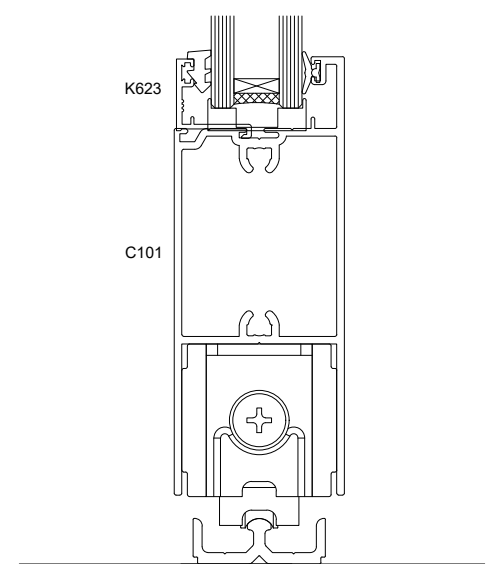
**FAIRVIEW 50 COMMERCIAL FULL SUITE**

DATE 14.06.2018	SCALE 1:2
REF. FG100.1014	



**SECTION A-A**

**NON-INTERLOCKED**



**SECTION A-A**

**INTERLOCKED**

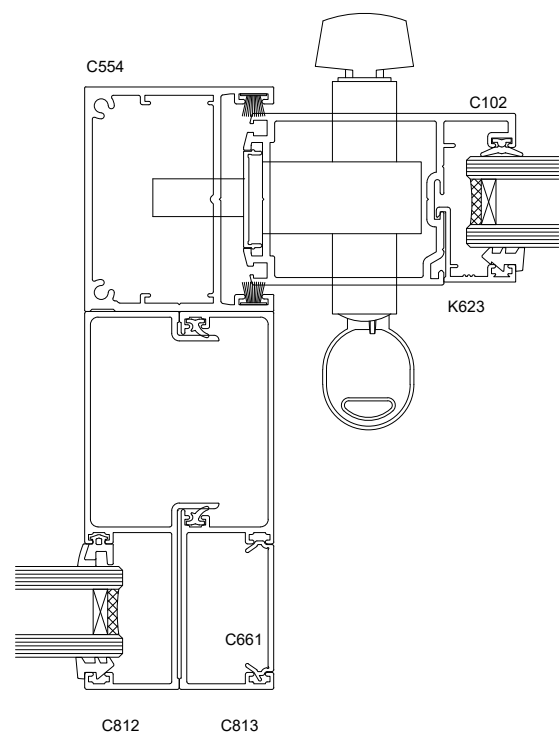
DETAILS SHOWN ARE  
NON-WEATHERED SILLS. FOR  
WEATHERED SILL DETAILS  
PLEASE CONTACT FAIRVIEW  
SYSTEMS LTD.

## 100mm FRONT GLAZE SLIDING DOOR

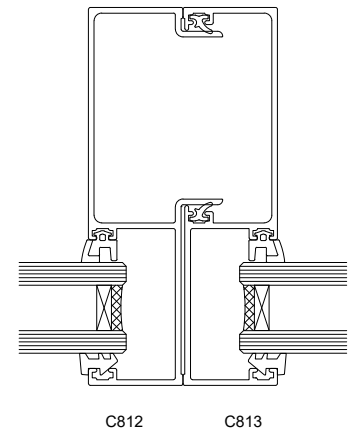
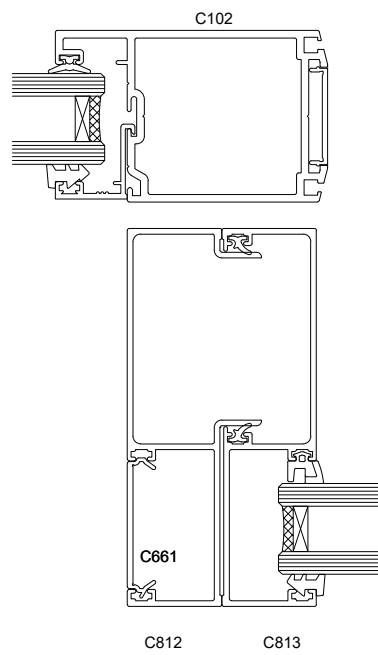
FAIRVIEW SYSTEMS LIMITED SPECIFIERS GUIDE 2014 © TECHNICAL SPECIFICATIONS & PROFILE DETAILS SUBJECT TO CHANGE WITHOUT NOTICE

**FAIRVIEW 50 COMMERCIAL FULL SUITE**

DATE 14.06.2018	SCALE 1:2
REF. FG100.1015	



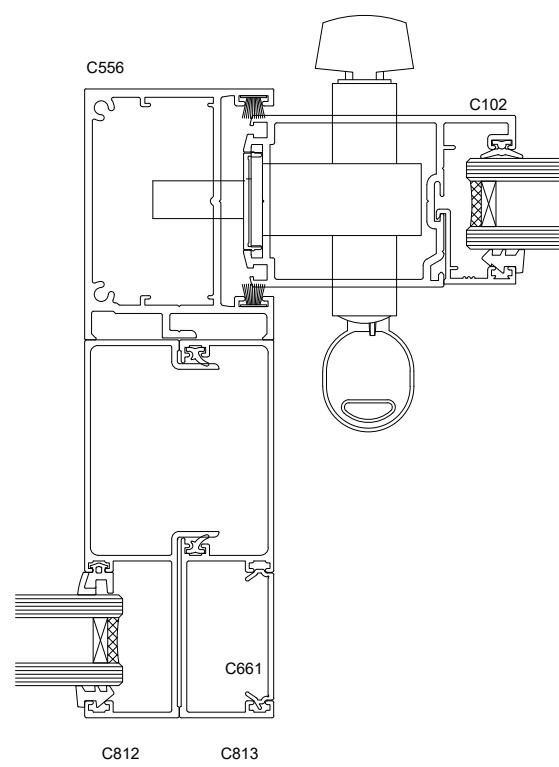
NON-INTERLOCKED



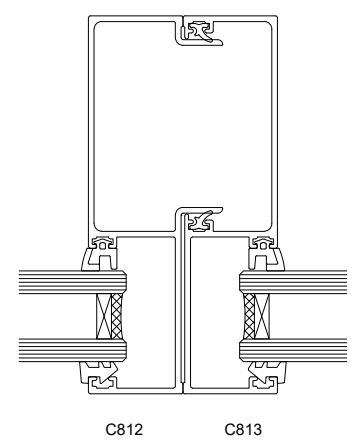
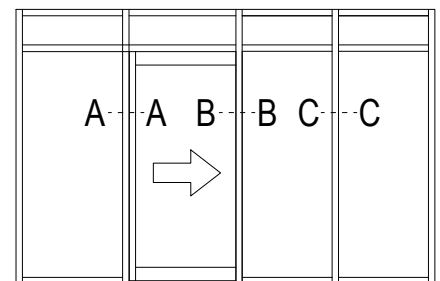
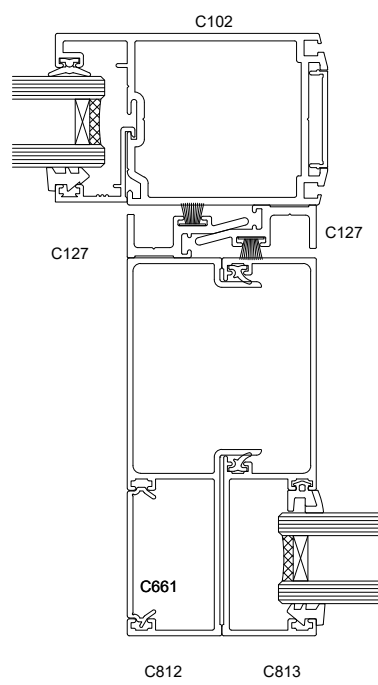
SECTION A-A

SECTION B-B

SECTION C-C



INTERLOCKED



SECTION A-A

SECTION B-B

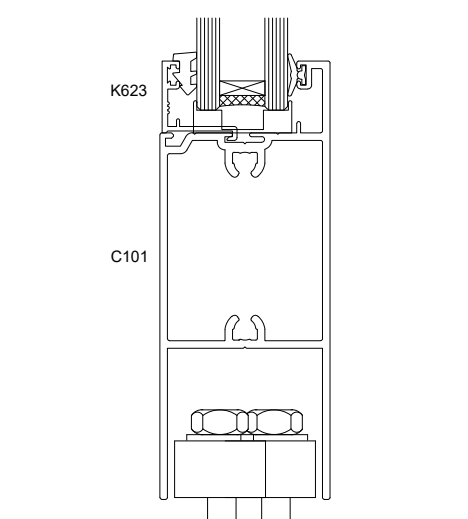
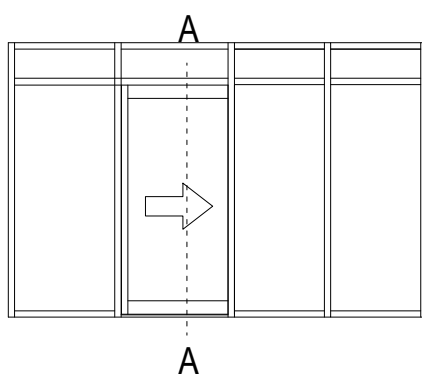
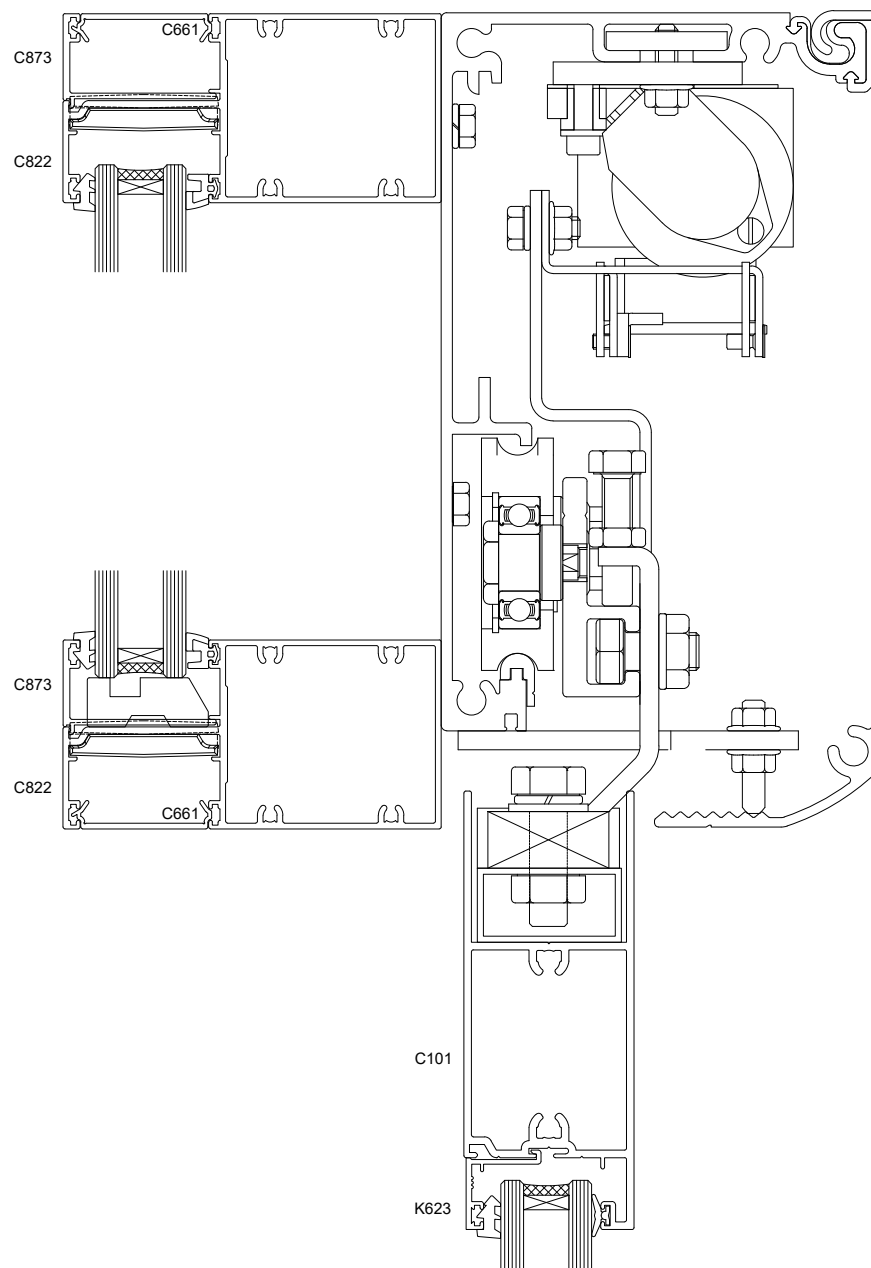
SECTION C-C

## 100mm FRONT GLAZE SLIDING DOOR

FAIRVIEW SYSTEMS LIMITED SPECIFIERS GUIDE 2014 © TECHNICAL SPECIFICATIONS & PROFILE DETAILS SUBJECT TO CHANGE WITHOUT NOTICE

FAIRVIEW 50 COMMERCIAL FULL SUITE

DATE 14.06.2018	SCALE 1:2
REF. FG100.1016	



**SECTION A-A**

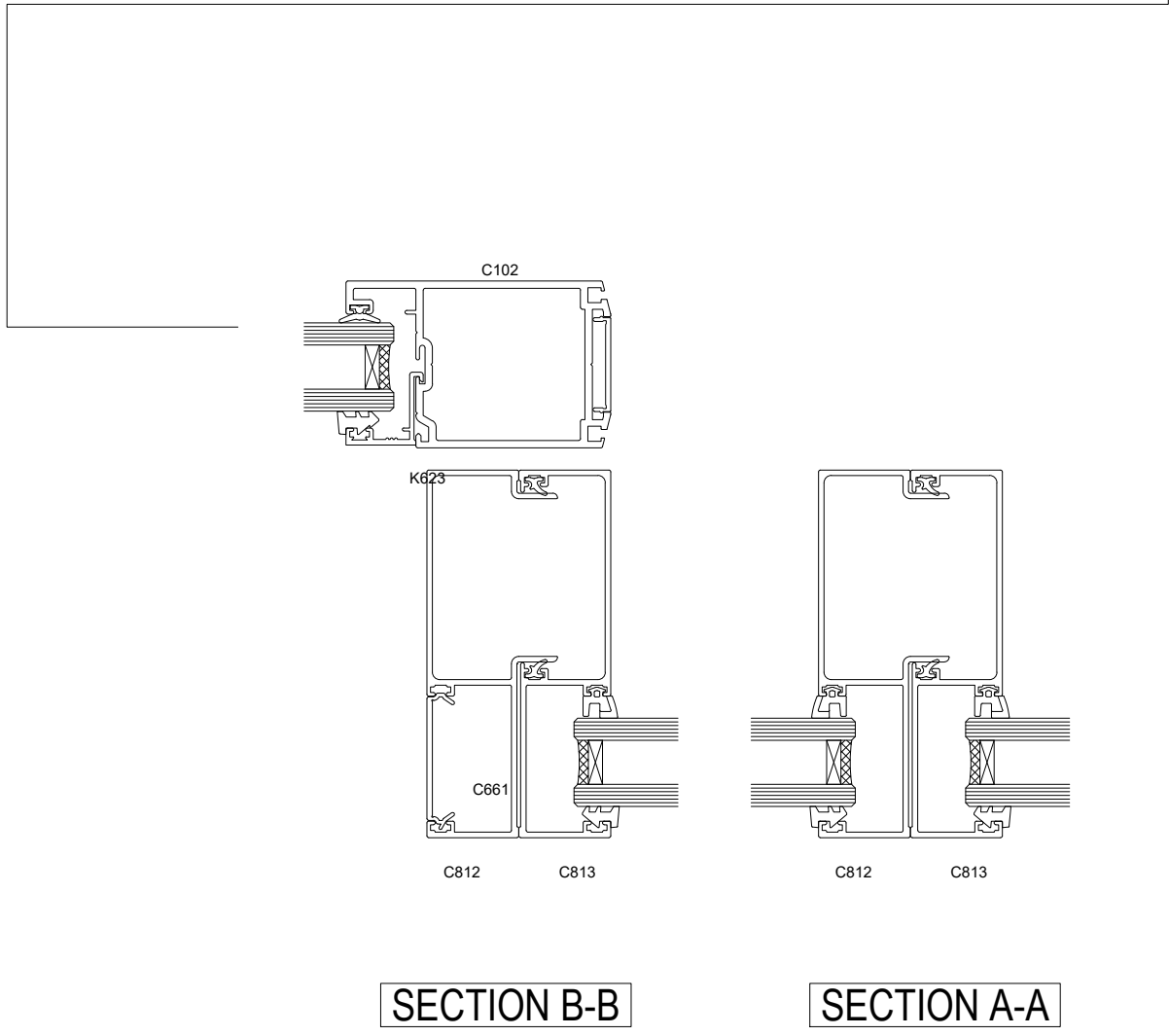
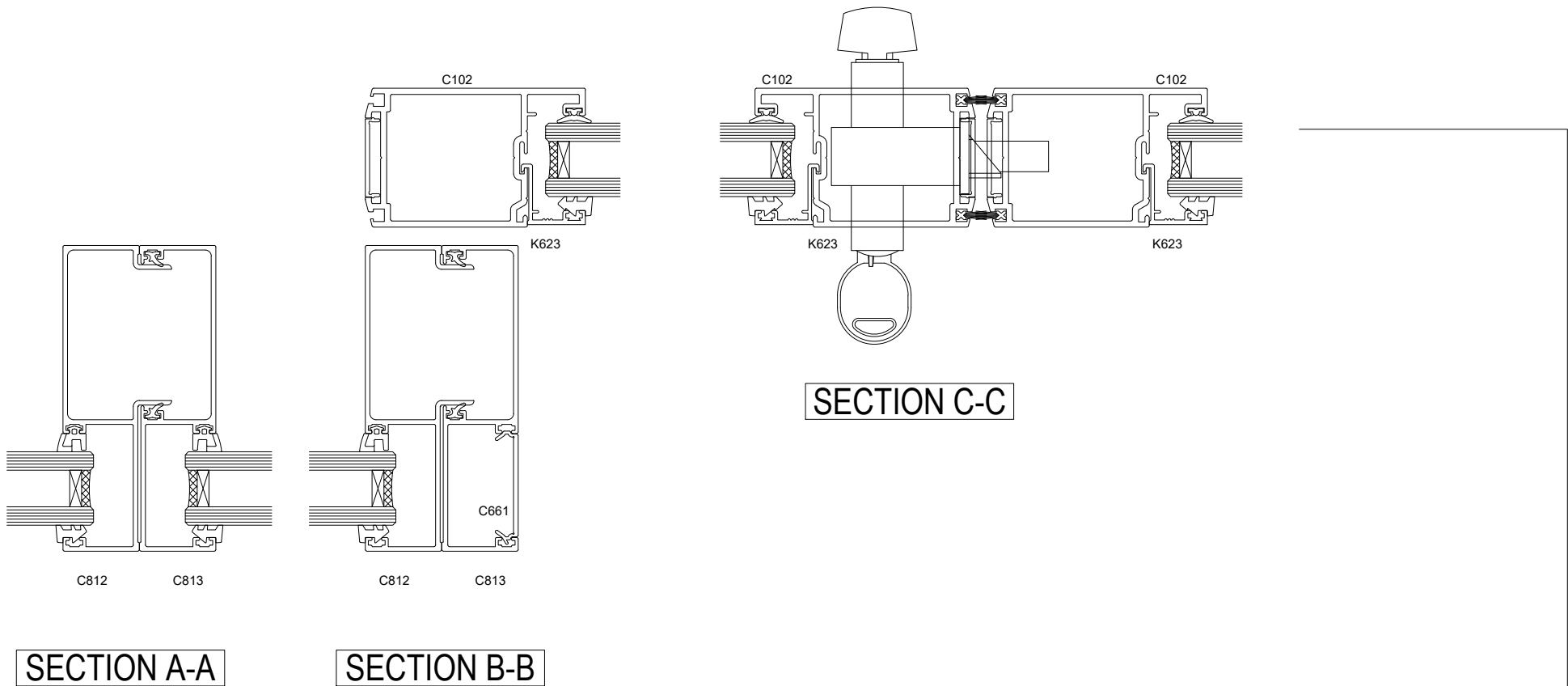
DETAILS SHOWN ARE  
NON-WEATHERED SILLS. FOR  
WEATHERED SILL DETAILS  
PLEASE CONTACT FAIRVIEW  
SYSTEMS LTD.

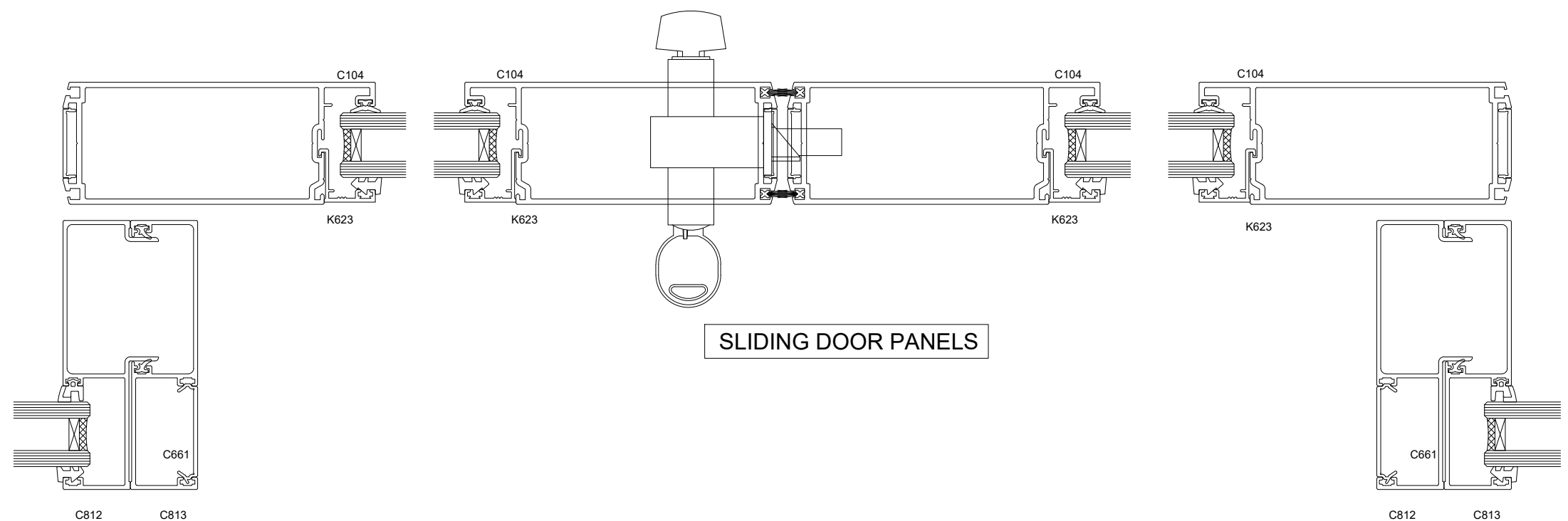
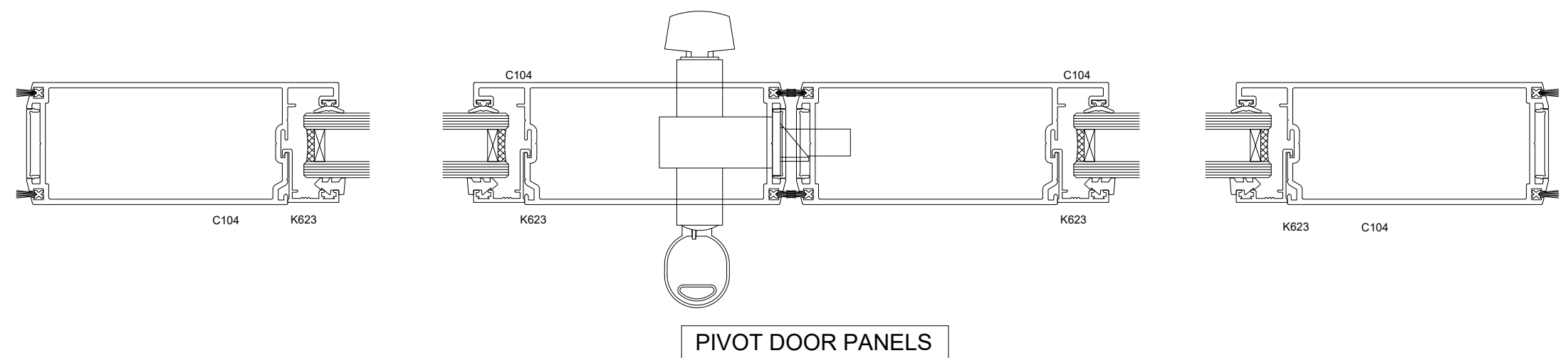
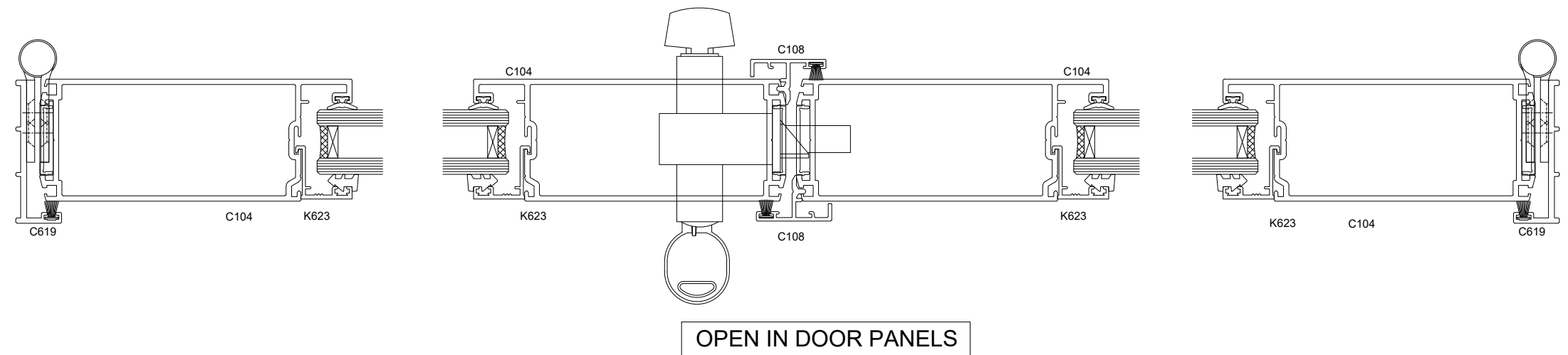
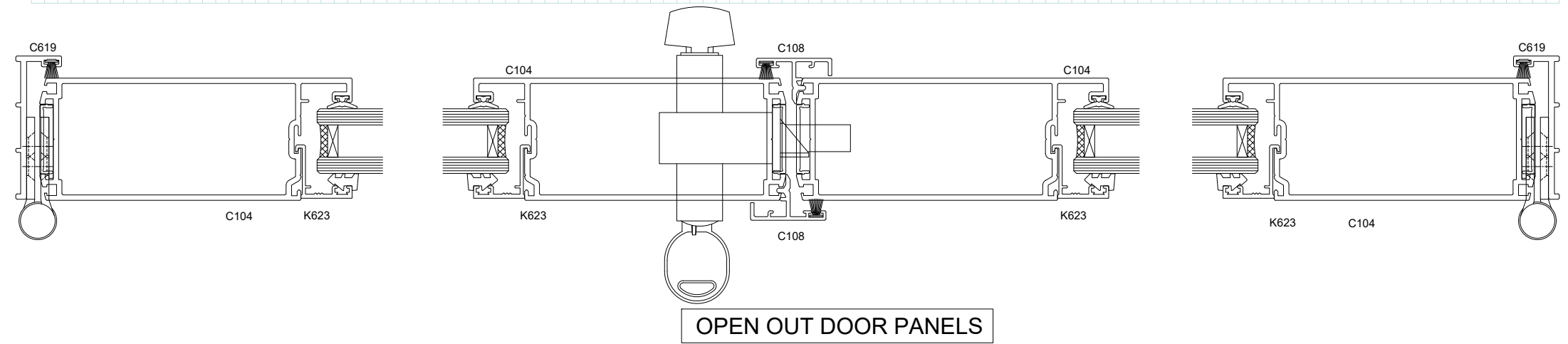
## 100mm FRONT GLAZE AUTO SLIDING DOOR

FAIRVIEW SYSTEMS LIMITED SPECIFIERS GUIDE 2014 © TECHNICAL SPECIFICATIONS & PROFILE DETAILS SUBJECT TO CHANGE WITHOUT NOTICE

**FAIRVIEW 50 COMMERCIAL FULL SUITE**

DATE 14.06.2018	SCALE 1:2
REF. FG100.1017	





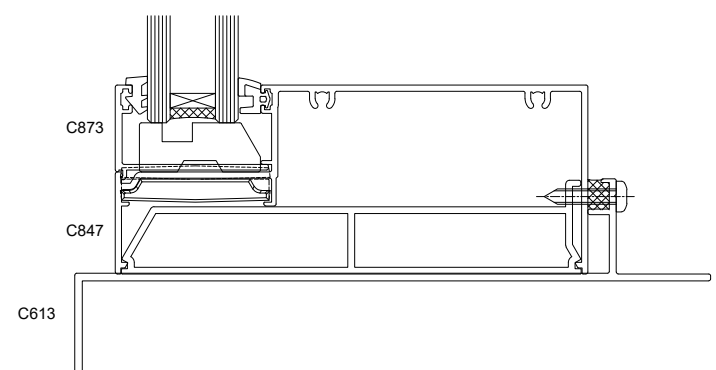
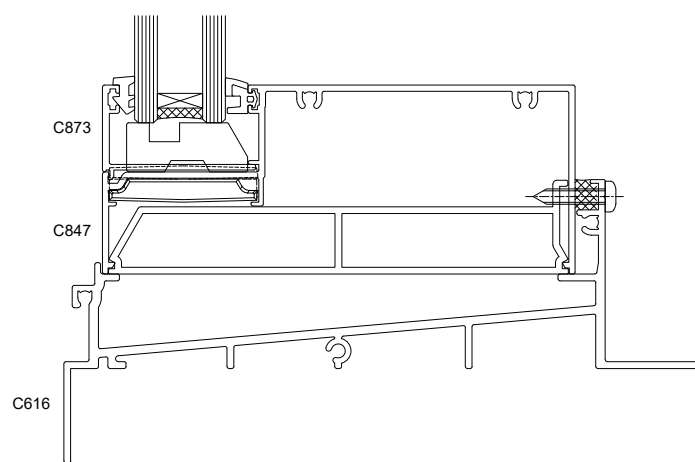
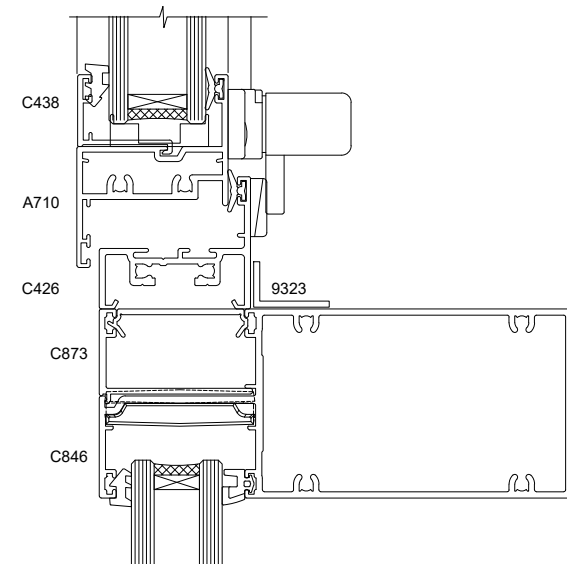
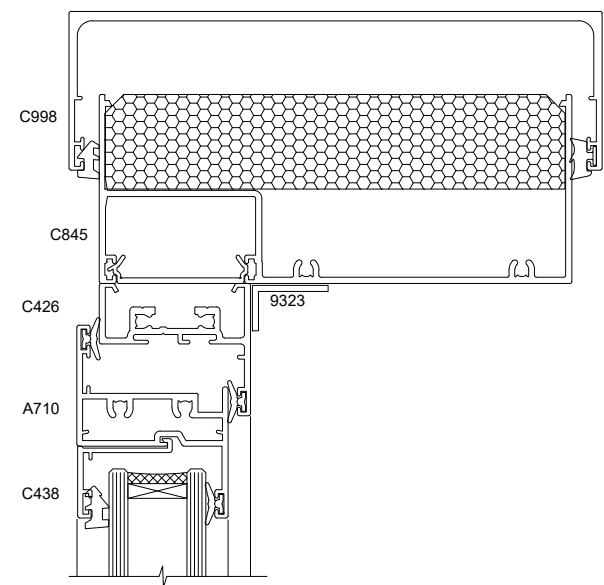
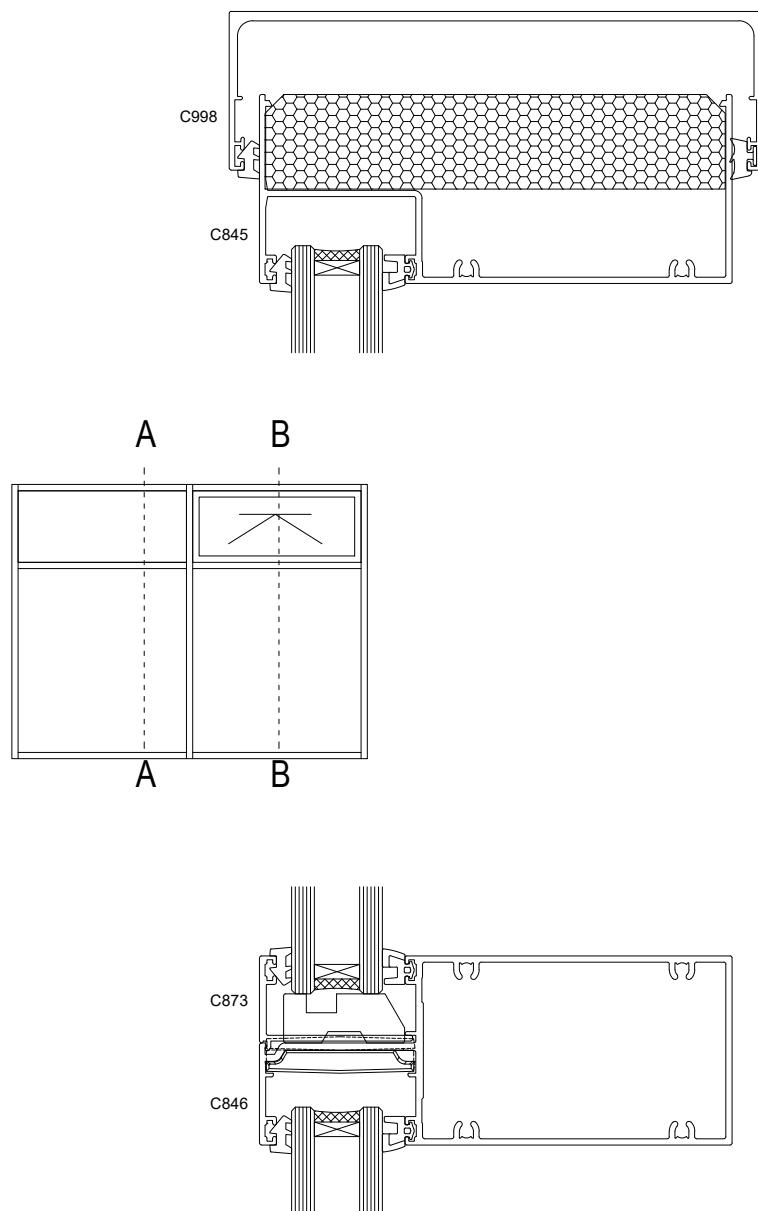
## 100mm FRONT GLAZE WIDE DOOR STILES

FAIRVIEW SYSTEMS LIMITED SPECIFIERS GUIDE 2014 © TECHNICAL SPECIFICATIONS & PROFILE DETAILS SUBJECT TO CHANGE WITHOUT NOTICE

**FAIRVIEW 50 COMMERCIAL FULL SUITE**

DATE 14.06.2018	SCALE 1:2
REF. FG100.1019	





SECTION A-A

SECTION B-B

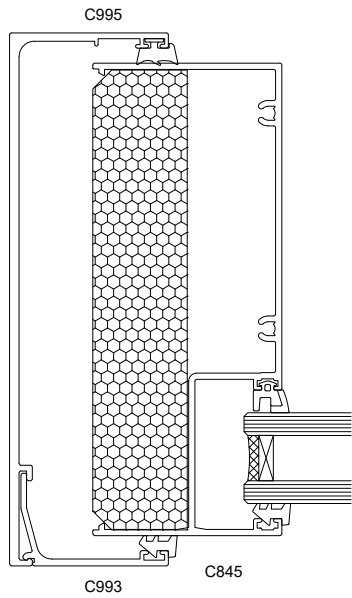
## 125mm FRONT GLAZE FIXED GLAZING WINDOW

FAIRVIEW SYSTEMS LIMITED SPECIFIERS GUIDE 2014 © TECHNICAL SPECIFICATIONS & PROFILE DETAILS SUBJECT TO CHANGE WITHOUT NOTICE

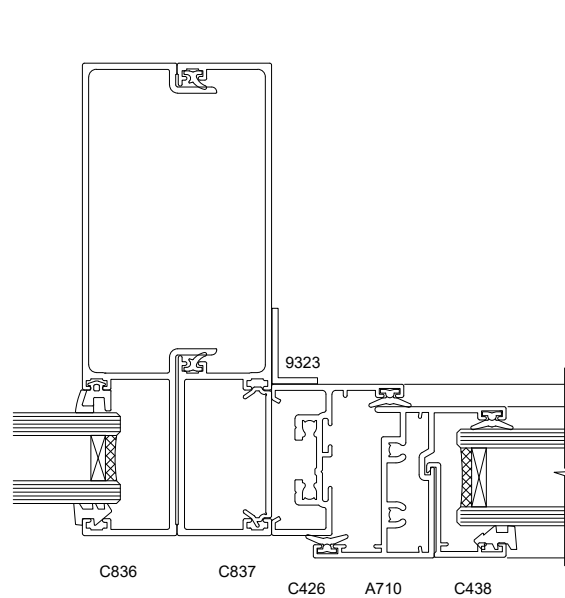
FAIRVIEW 50 COMMERCIAL FULL SUITE

DATE 14.06.2018	SCALE 1:2
REF. FG125.1020	

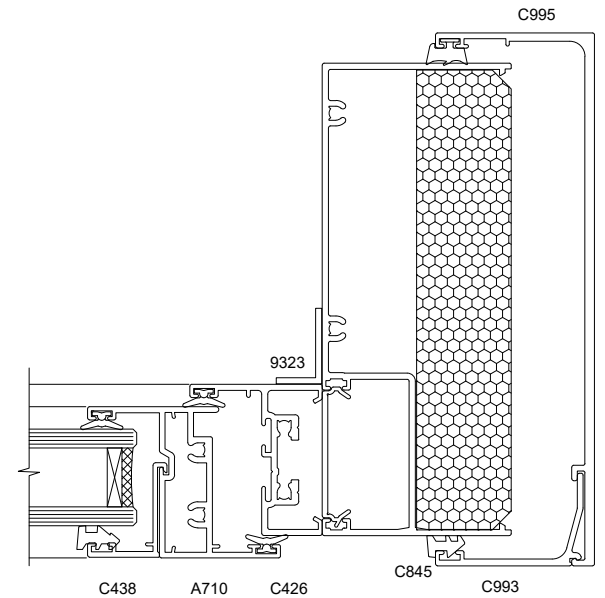
SECTION A-A



SECTION B-B

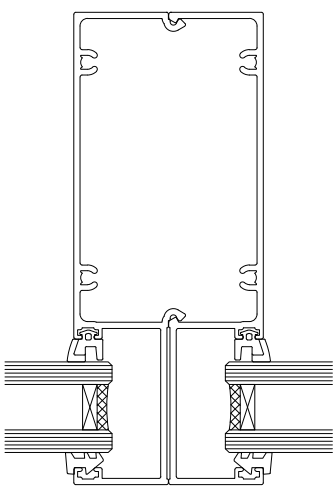


SECTION C-C



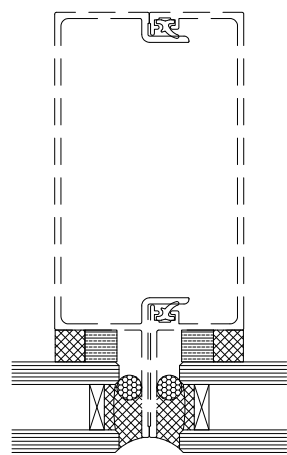
PROFILES SHOWN IN DASHED LINES ARE SUBJECT TO SPECIAL ORDER ONLY, CONSULT FAIRVIEW SYSTEMS FOR INFO

C840 C841



SECTION D-D

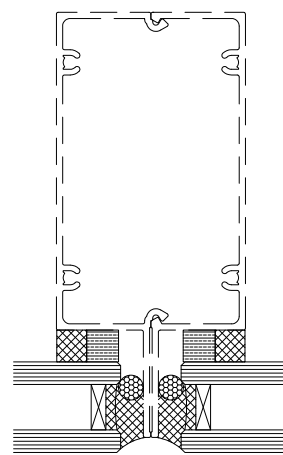
C838 C839



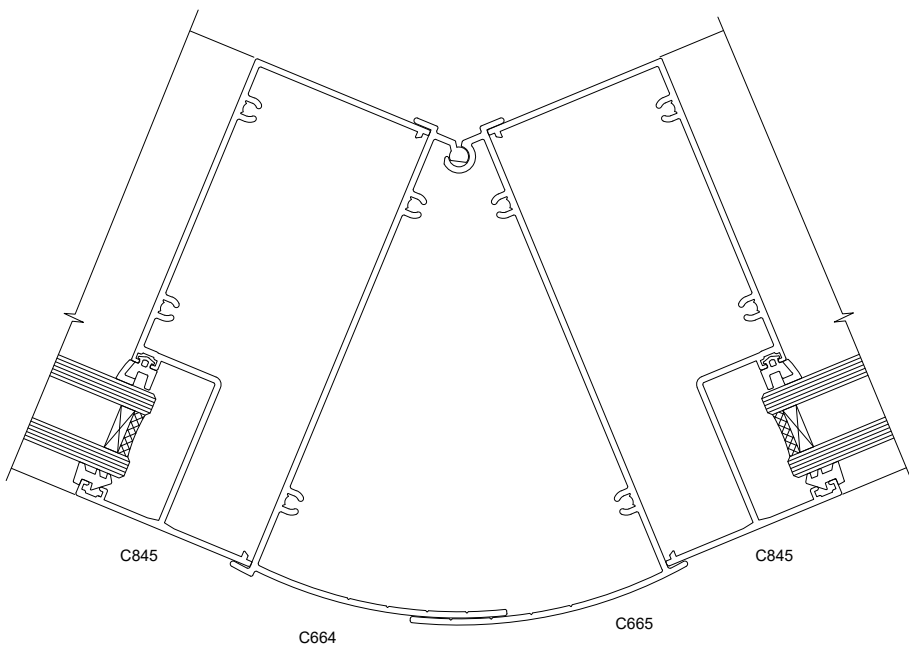
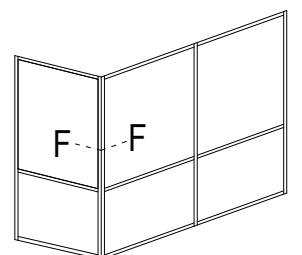
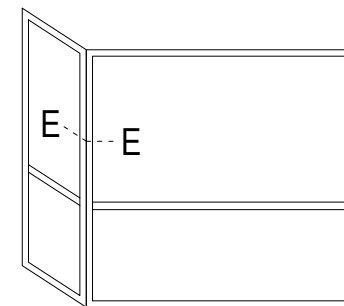
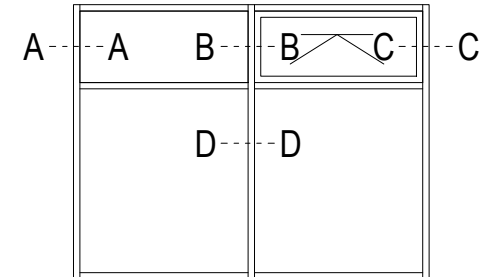
SECTION D-D

ALTERNATIVE MULLIONS

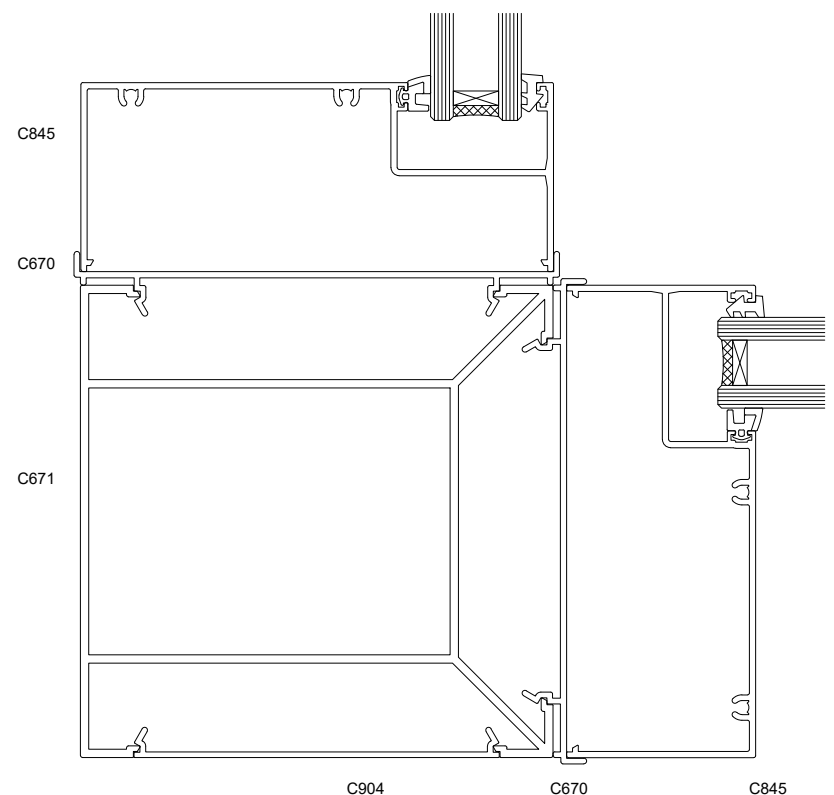
C842 C843



SECTION D-D



SECTION E-E



SECTION F-F

## 125mm FRONT GLAZE FIXED GLAZING WINDOW

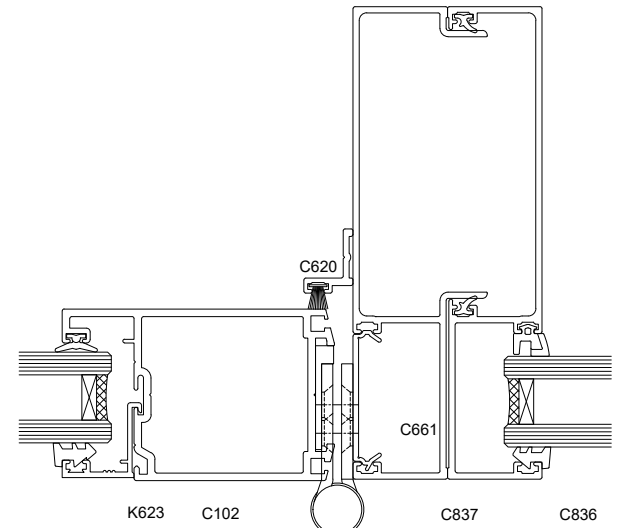
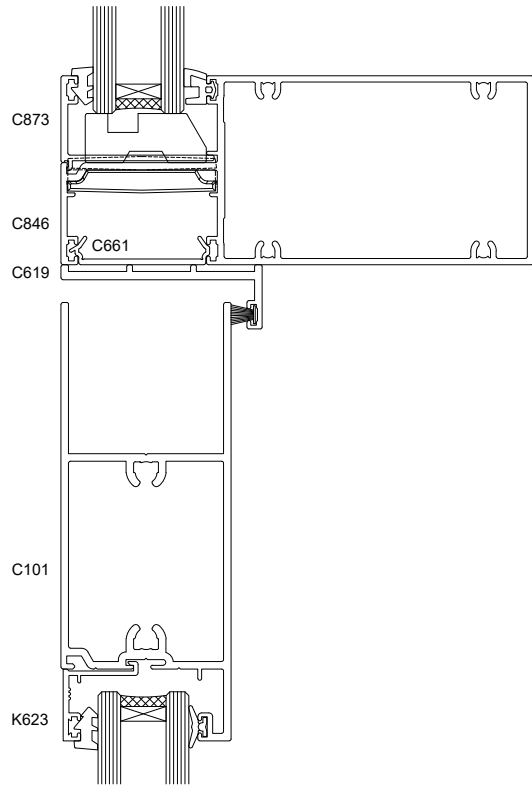
FAIRVIEW SYSTEMS LIMITED SPECIFIERS GUIDE 2014 © TECHNICAL SPECIFICATIONS & PROFILE DETAILS SUBJECT TO CHANGE WITHOUT NOTICE

FAIRVIEW 50 COMMERCIAL FULL SUITE

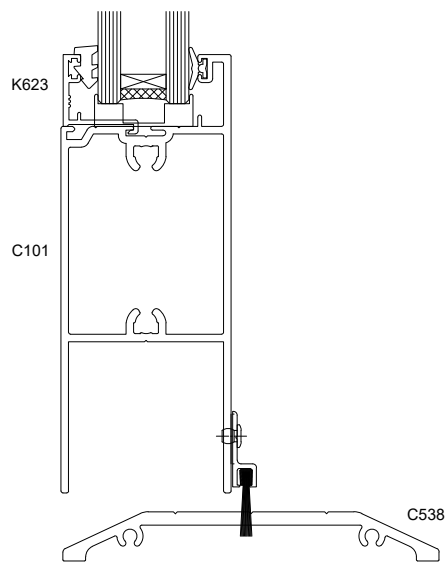
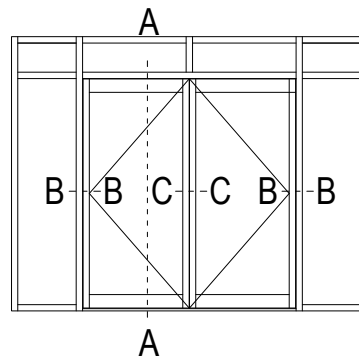
DATE  
14.06.2018

SCALE  
1:2

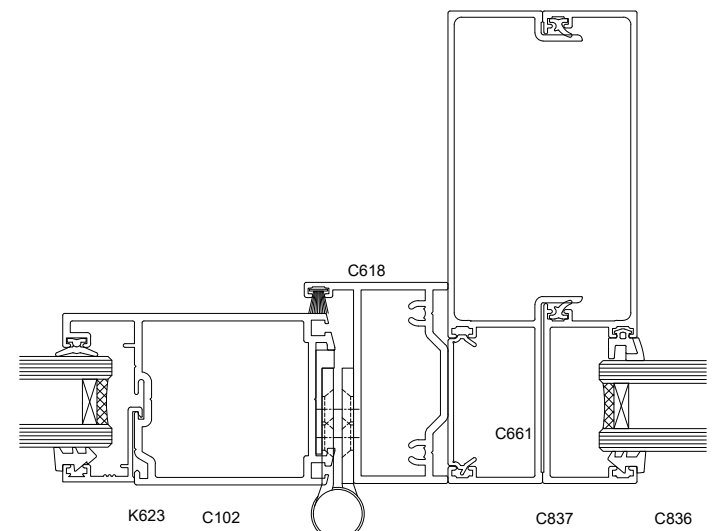
REF. FG125.1021



SECTION B-B

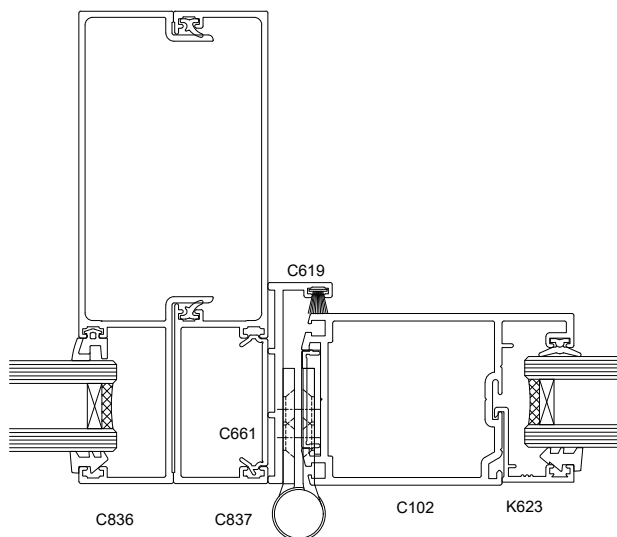


SECTION A-A

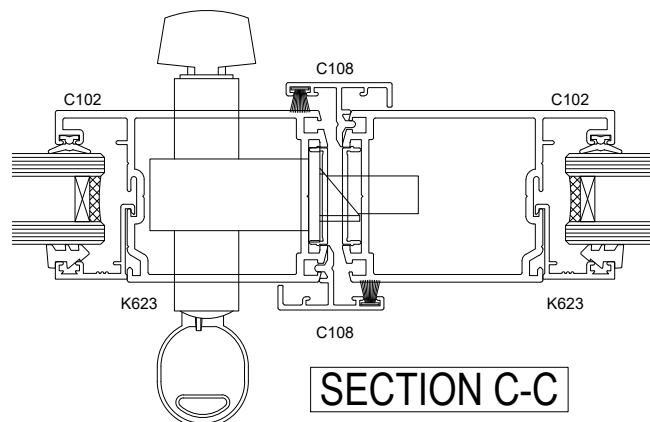


SECTION B-B

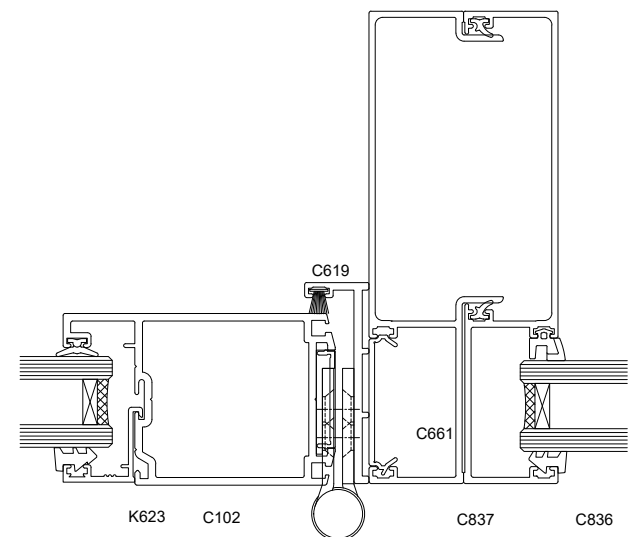
DETAILS SHOWN ARE NON-WEATHERED SILLS. FOR WEATHERED SILL DETAILS PLEASE CONTACT FAIRVIEW SYSTEMS LTD.



SECTION B-B



SECTION C-C



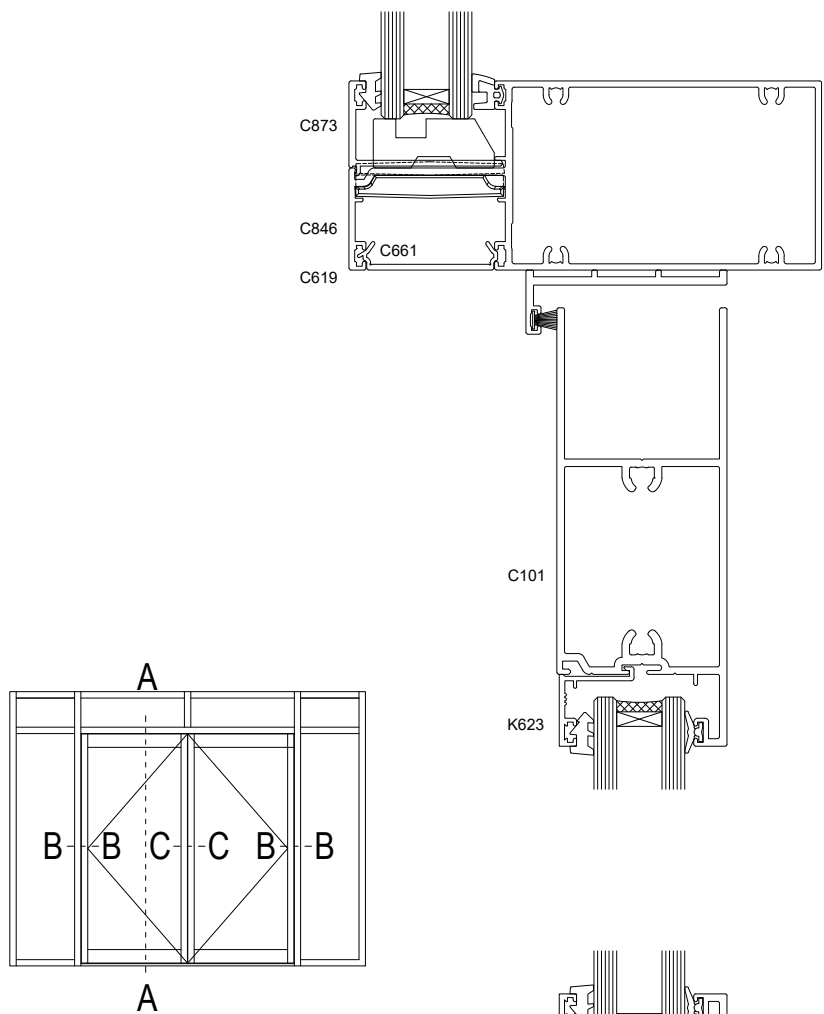
SECTION B-B

## 125mm FRONT GLAZE HINGED DOOR OPEN OUT

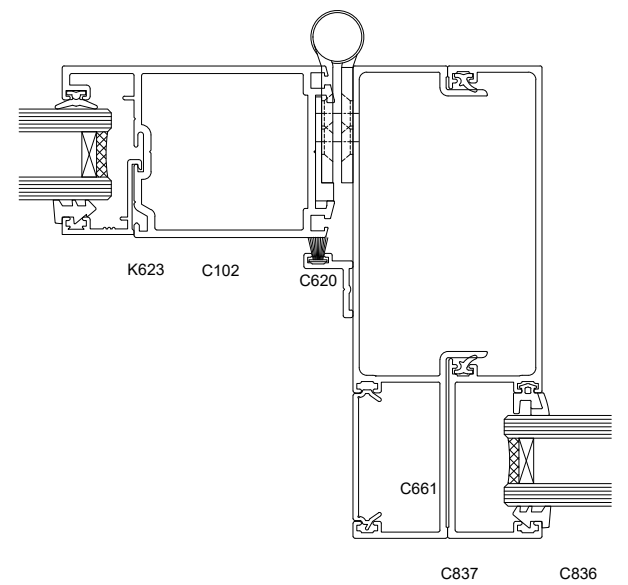
FAIRVIEW SYSTEMS LIMITED SPECIFIERS GUIDE 2014 © TECHNICAL SPECIFICATIONS & PROFILE DETAILS SUBJECT TO CHANGE WITHOUT NOTICE

FAIRVIEW 50 COMMERCIAL FULL SUITE

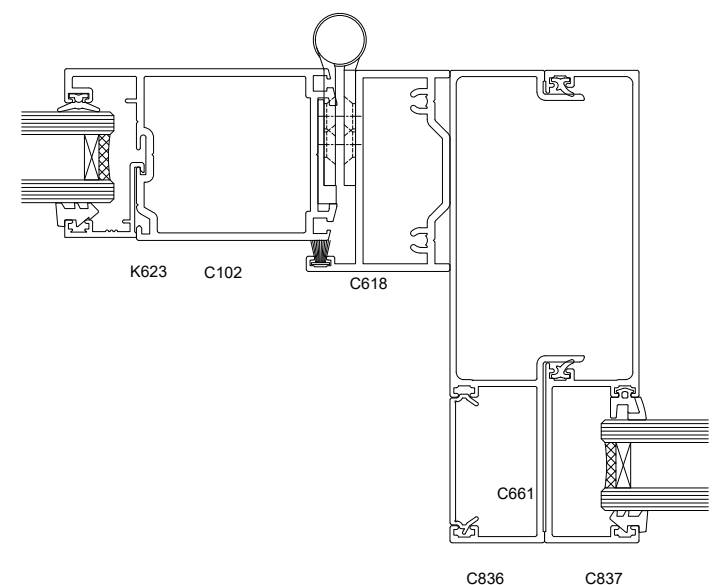
DATE 14.06.2018	SCALE 1:2
REF. FG125.1022	



**SECTION A-A**

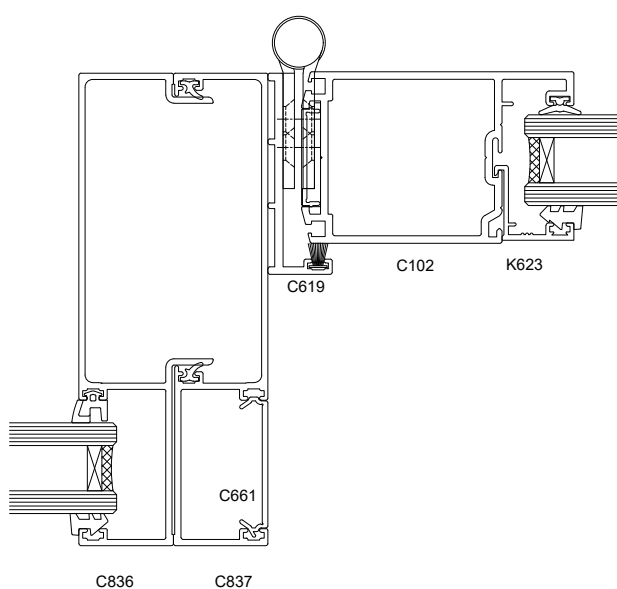
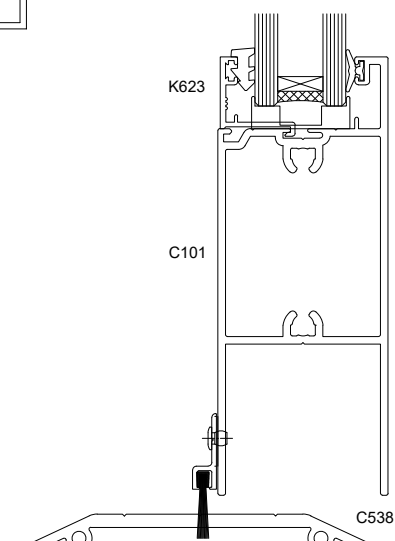


**SECTION B-B**

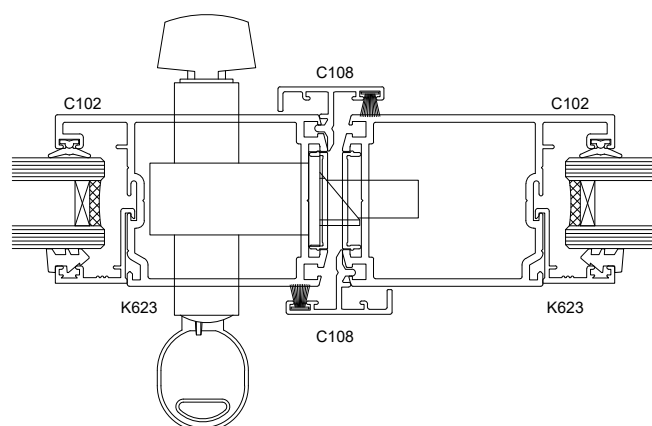


**SECTION B-B**

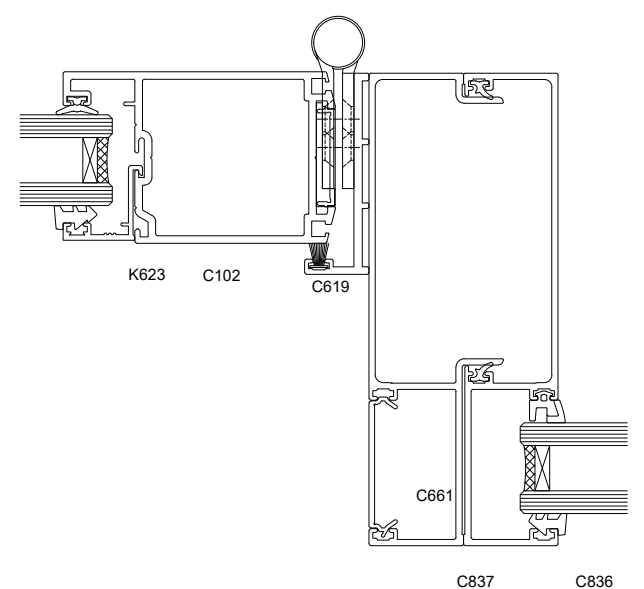
DETAILS SHOWN ARE  
NON-WEATHERED SILLS. FOR  
WEATHERED SILL DETAILS  
PLEASE CONTACT FAIRVIEW  
SYSTEMS LTD.



**SECTION B-B**



**SECTION C-C**



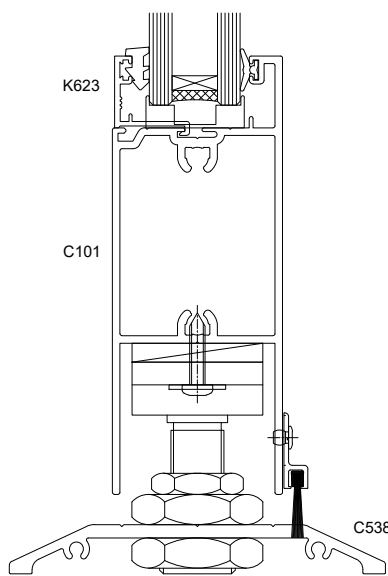
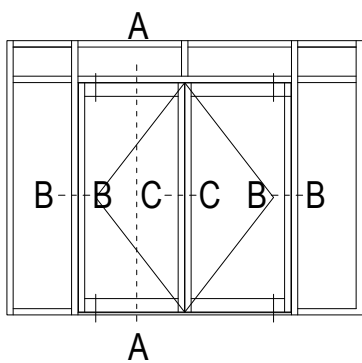
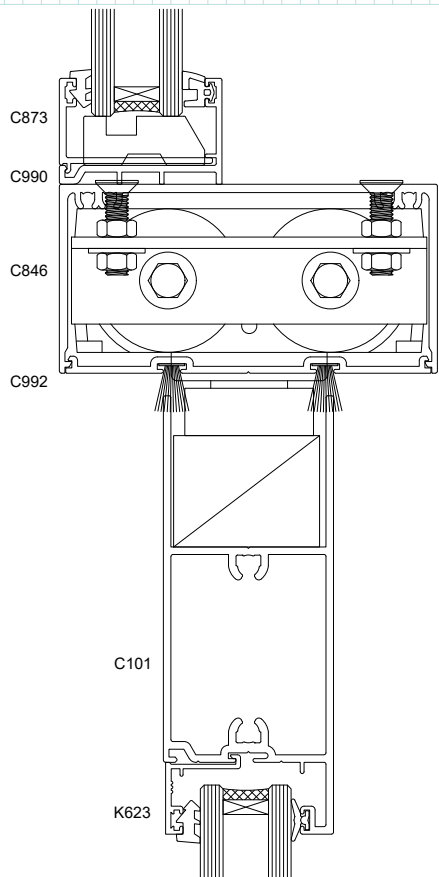
**SECTION B-B**

## 125mm FRONT GLAZE HINGED DOOR OPEN IN

FAIRVIEW SYSTEMS LIMITED SPECIFIERS GUIDE 2014 © TECHNICAL SPECIFICATIONS & PROFILE DETAILS SUBJECT TO CHANGE WITHOUT NOTICE

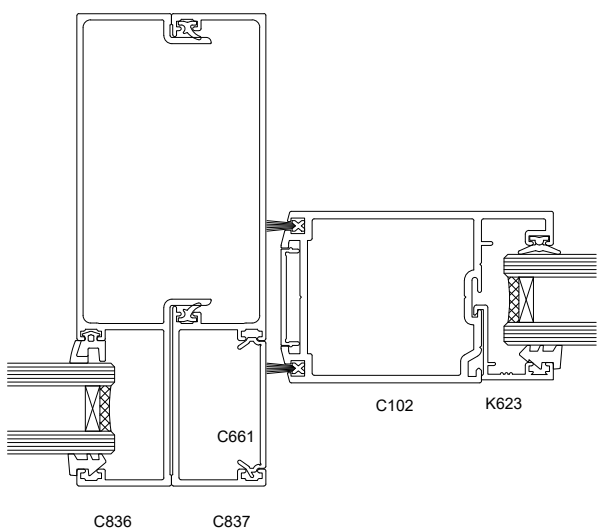
### FAIRVIEW 50 COMMERCIAL FULL SUITE

DATE 14.06.2018	SCALE 1:2
REF. FG125.1023	

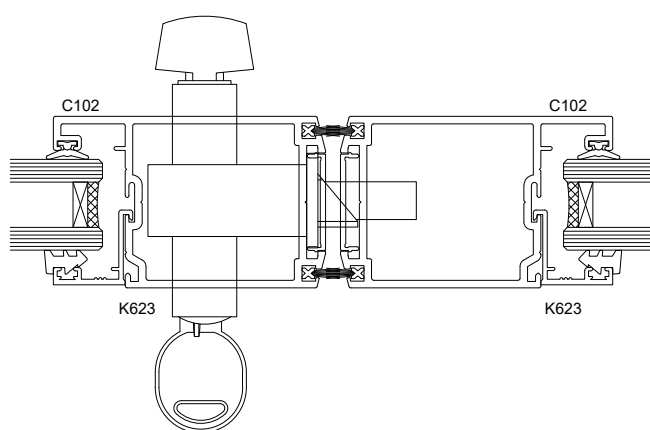


DETAILS SHOWN ARE  
NON-WEATHERED SILLS. FOR  
WEATHERED SILL DETAILS  
PLEASE CONTACT FAIRVIEW  
SYSTEMS LTD.

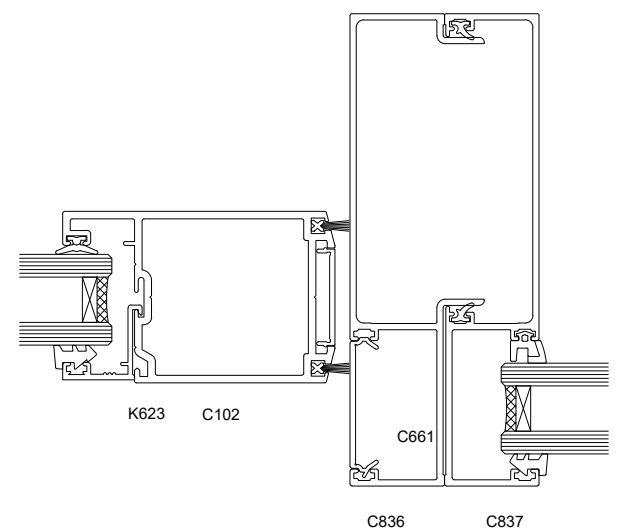
**SECTION A-A**



**SECTION B-B**



**SECTION C-C**



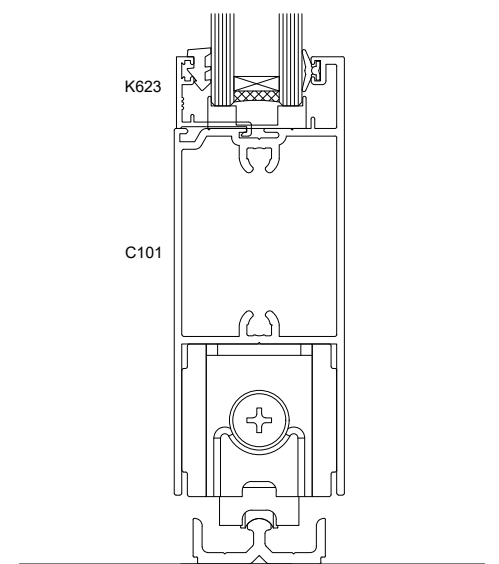
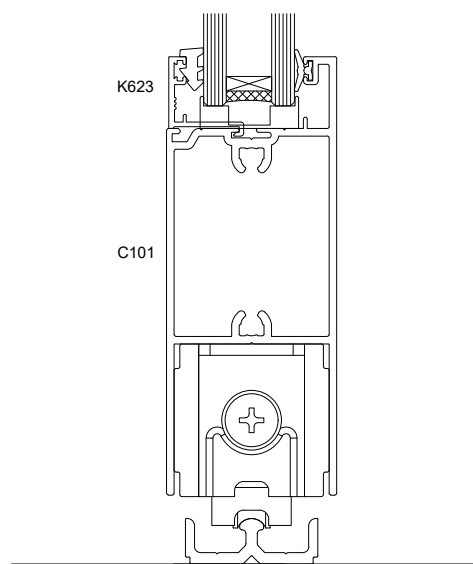
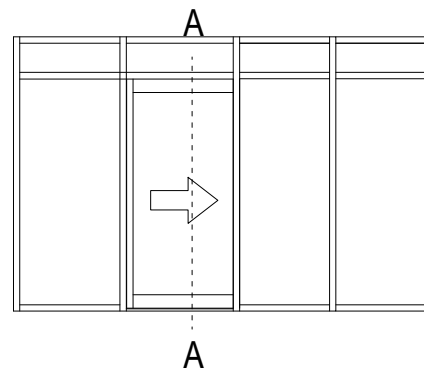
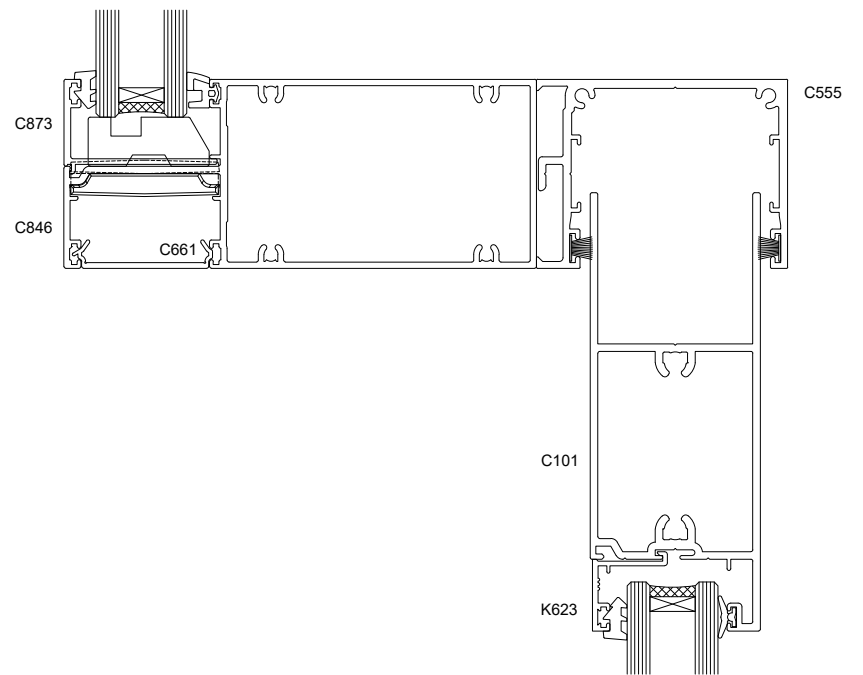
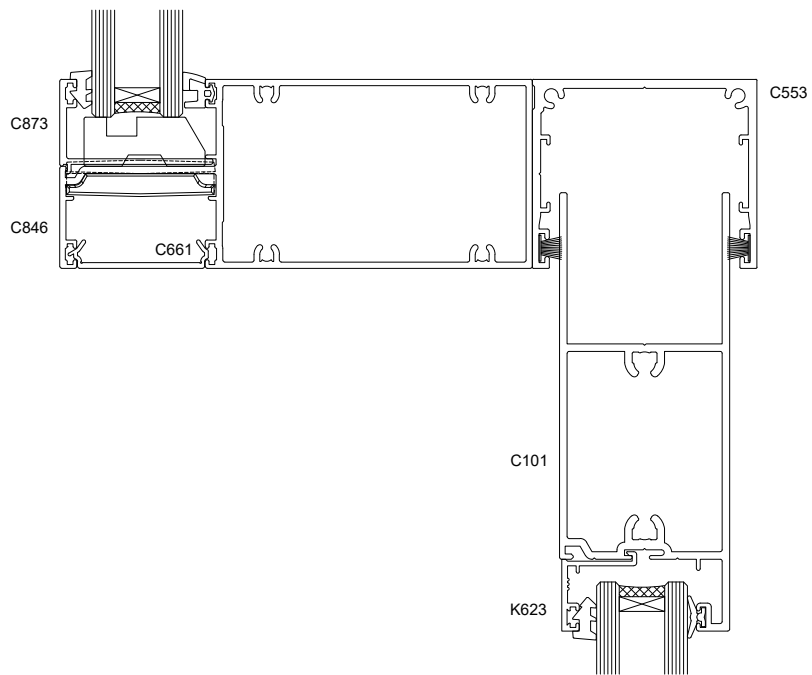
**SECTION B-B**

## 125mm FRONT GLAZE PIVOT DOOR

FAIRVIEW SYSTEMS LIMITED SPECIFIERS GUIDE 2014 © TECHNICAL SPECIFICATIONS & PROFILE DETAILS SUBJECT TO CHANGE WITHOUT NOTICE

**FAIRVIEW 50 COMMERCIAL FULL SUITE**

DATE 14.06.2018	SCALE 1:2
REF. FG125.1024	



SECTION A-A

NON-INTERLOCKED

SECTION A-A

INTERLOCKED

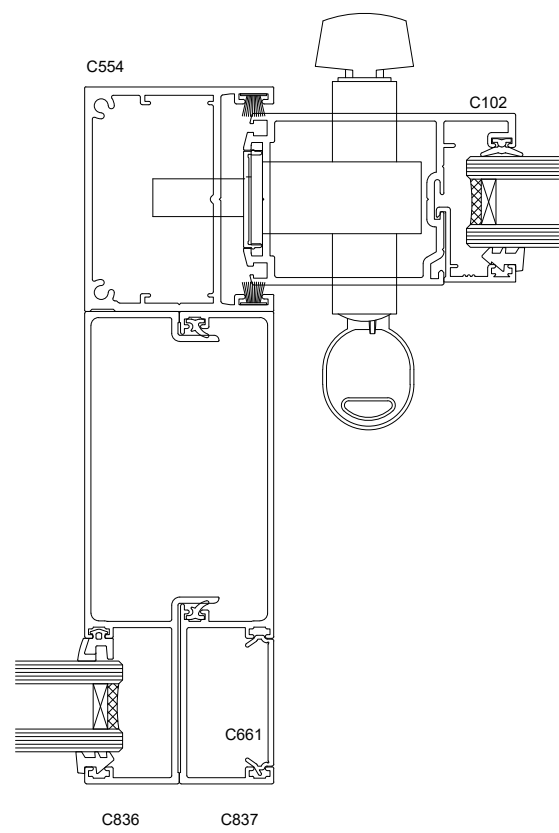
DETAILS SHOWN ARE  
NON-WEATHERED SILLS. FOR  
WEATHERED SILL DETAILS  
PLEASE CONTACT FAIRVIEW  
SYSTEMS LTD.

## 125mm FRONT GLAZE SLIDING DOOR

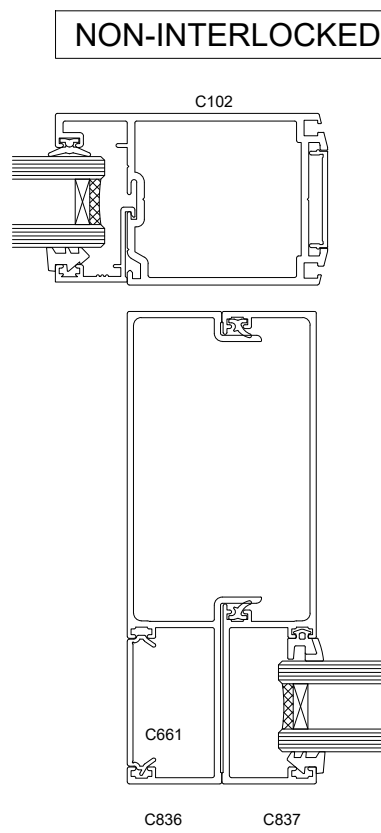
FAIRVIEW SYSTEMS LIMITED SPECIFIERS GUIDE 2014 © TECHNICAL SPECIFICATIONS & PROFILE DETAILS SUBJECT TO CHANGE WITHOUT NOTICE

FAIRVIEW 50 COMMERCIAL FULL SUITE

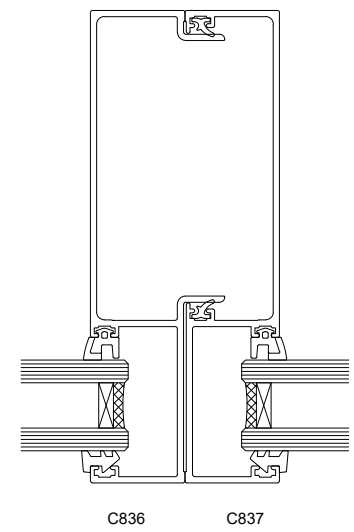
DATE 14.06.2018	SCALE 1:2
REF. FG125.1025	



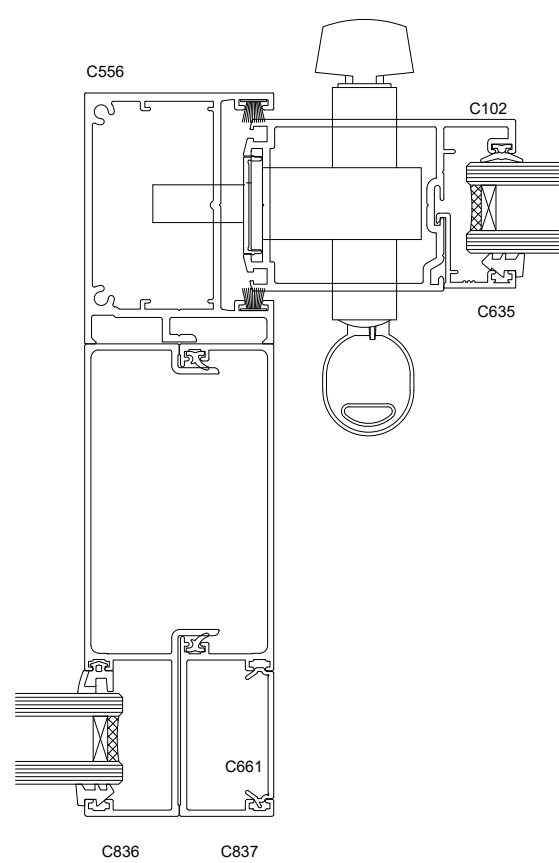
SECTION A-A



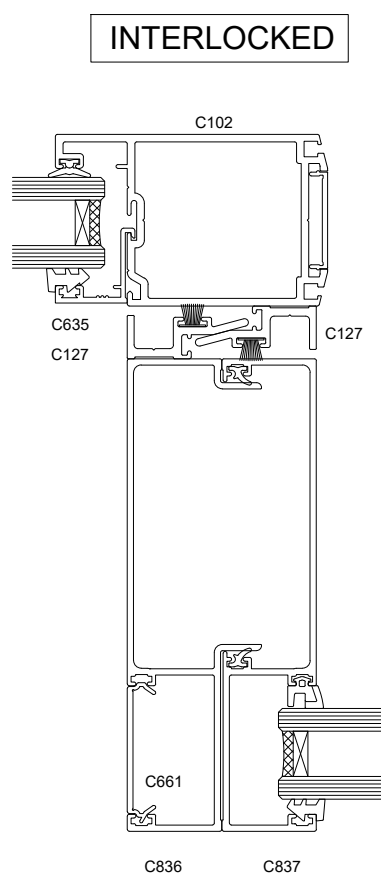
SECTION B-B



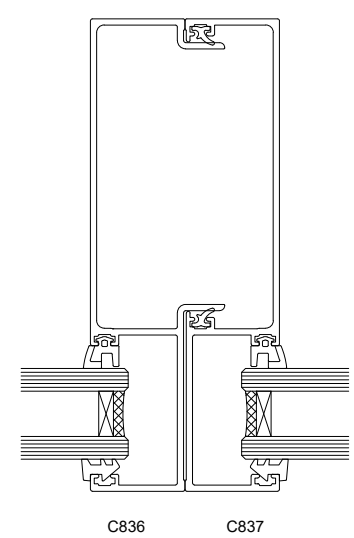
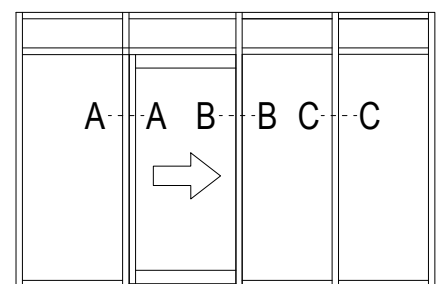
SECTION C-C



SECTION A-A



SECTION B-B



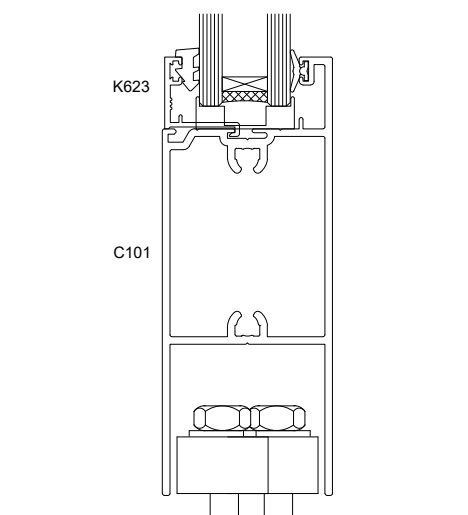
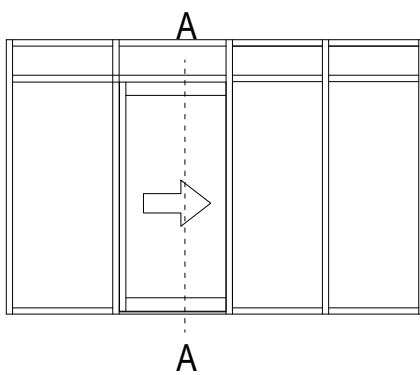
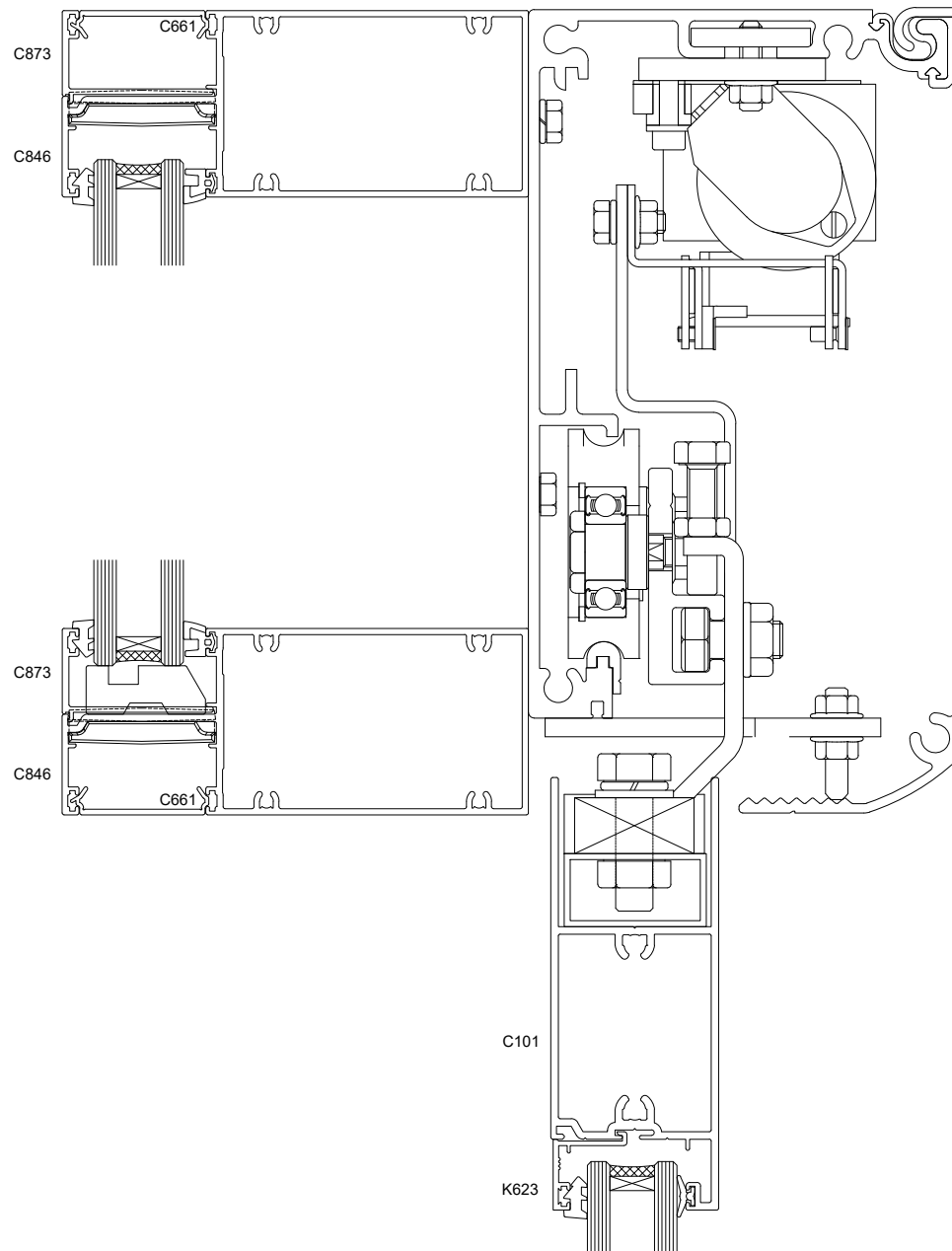
SECTION C-C

## 125mm FRONT GLAZE SLIDING DOOR

FAIRVIEW SYSTEMS LIMITED SPECIFIERS GUIDE 2014 © TECHNICAL SPECIFICATIONS & PROFILE DETAILS SUBJECT TO CHANGE WITHOUT NOTICE

FAIRVIEW 50 COMMERCIAL FULL SUITE

DATE 14.06.2018	SCALE 1:2
REF. FG125.1026	



**SECTION A-A**

DETAILS SHOWN ARE  
NON-WEATHERED SILLS. FOR  
WEATHERED SILL DETAILS  
PLEASE CONTACT FAIRVIEW  
SYSTEMS LTD.

## 125mm FRONT GLAZE AUTO SLIDING DOOR

FAIRVIEW SYSTEMS LIMITED SPECIFIERS GUIDE 2014 © TECHNICAL SPECIFICATIONS & PROFILE DETAILS SUBJECT TO CHANGE WITHOUT NOTICE

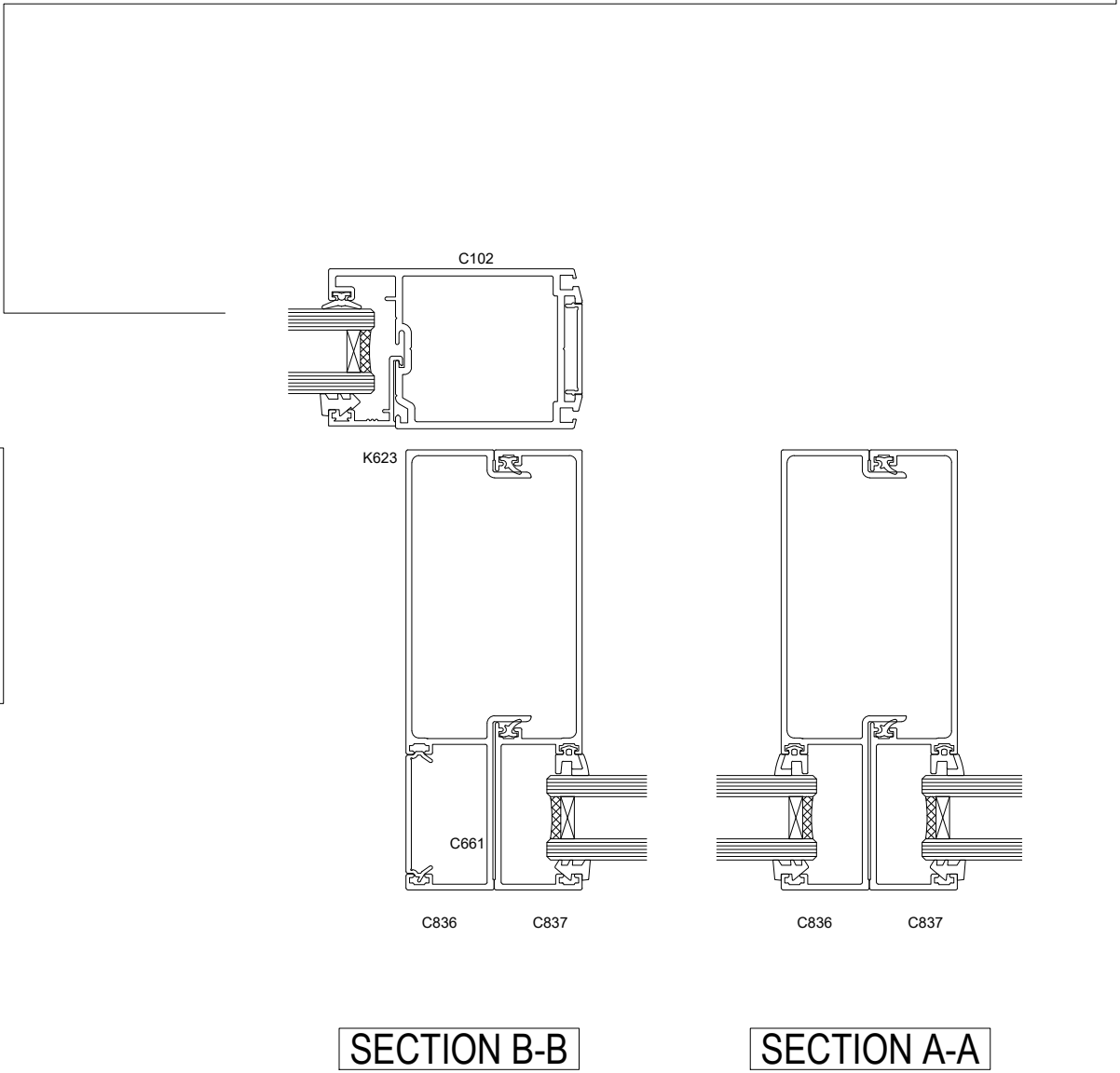
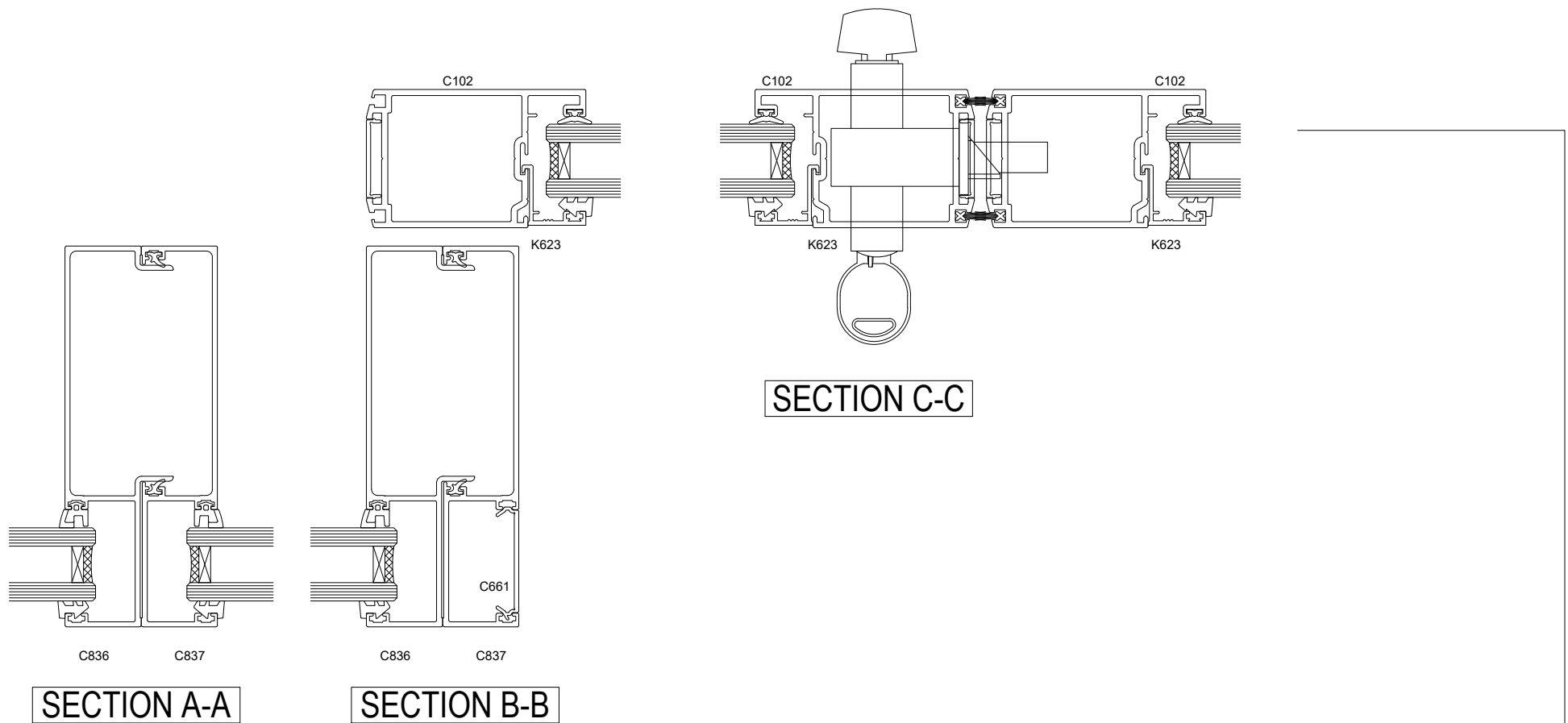
**FAIRVIEW 50 COMMERCIAL FULL SUITE**

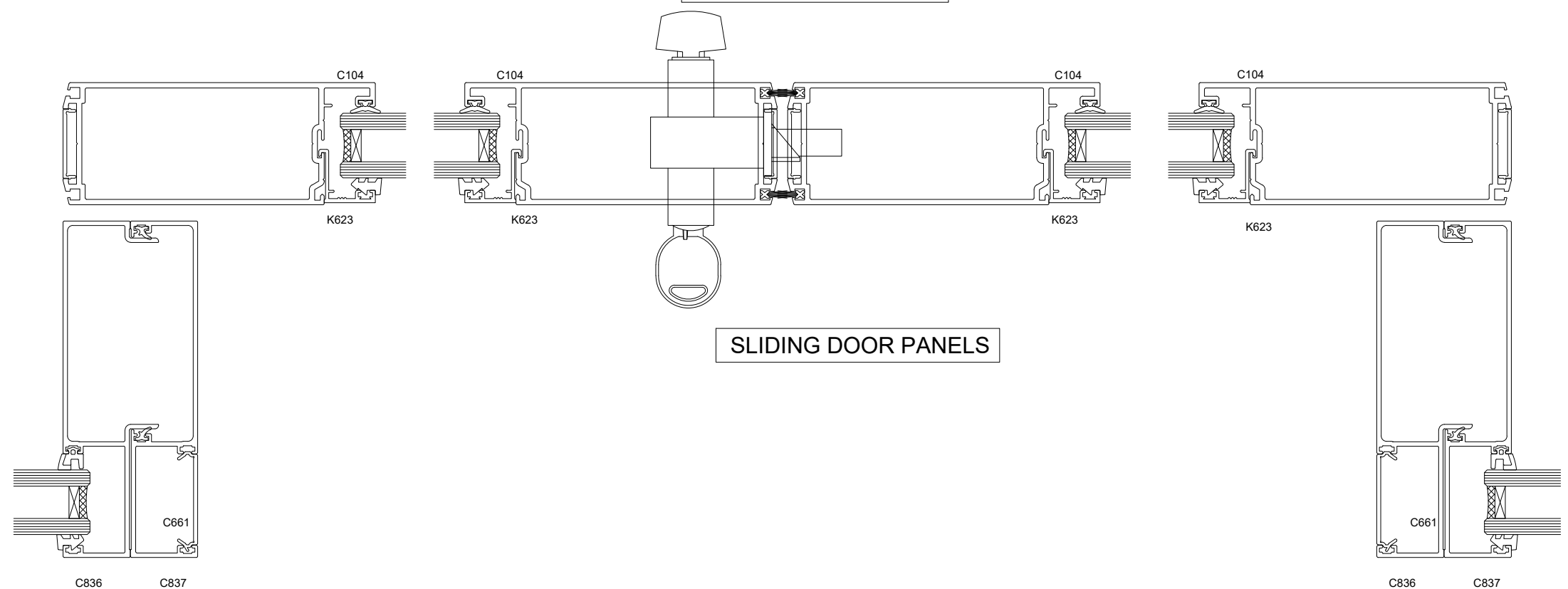
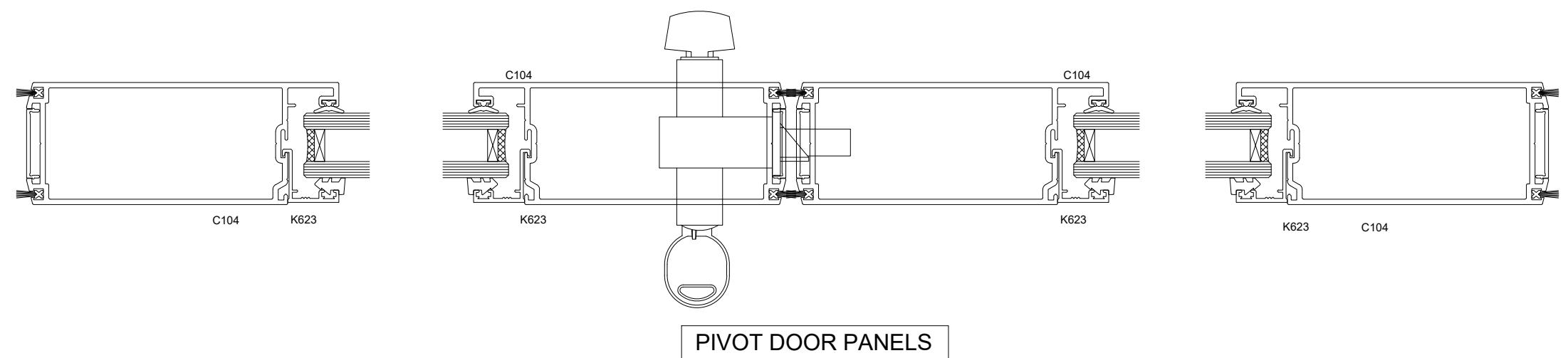
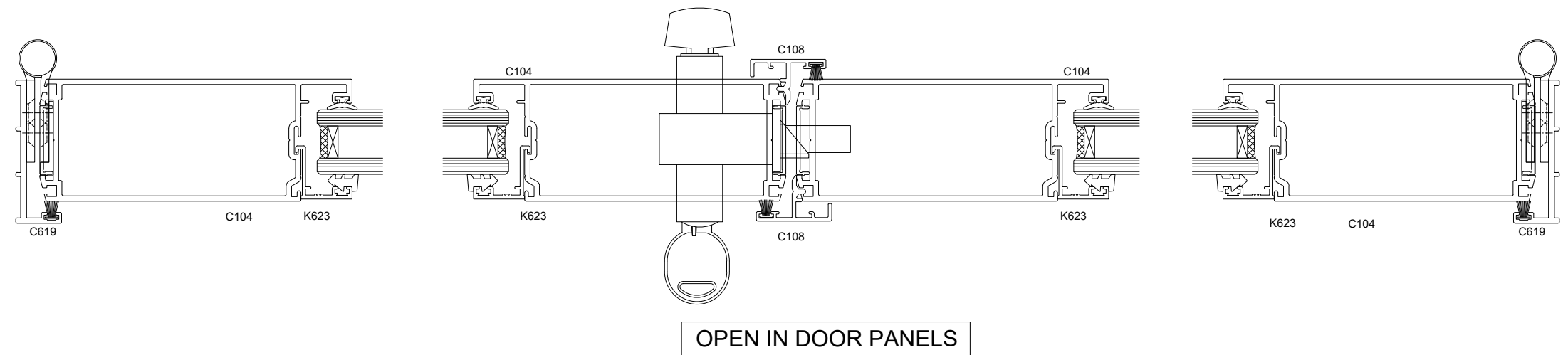
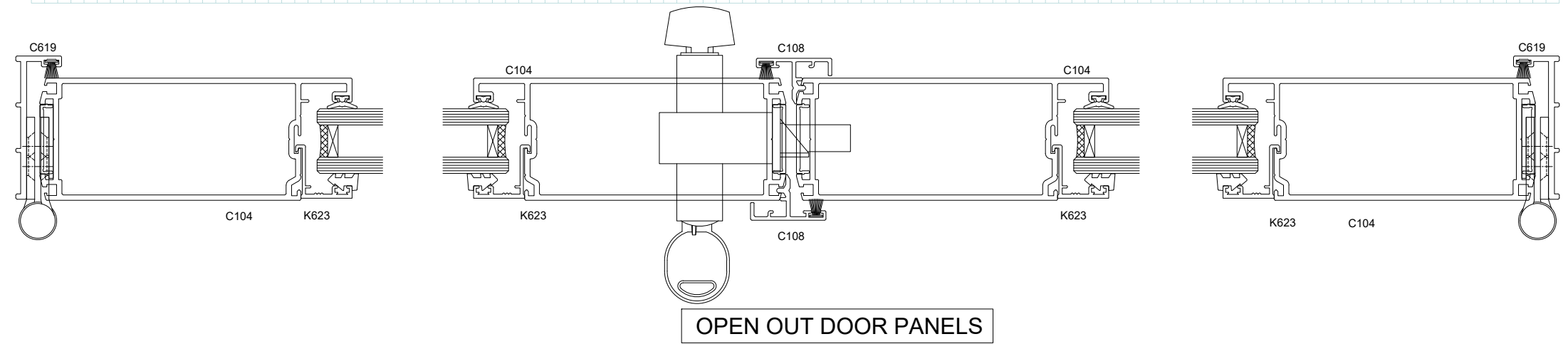
DATE  
14.06.2018

SCALE  
1:2

REF. FG125.1027





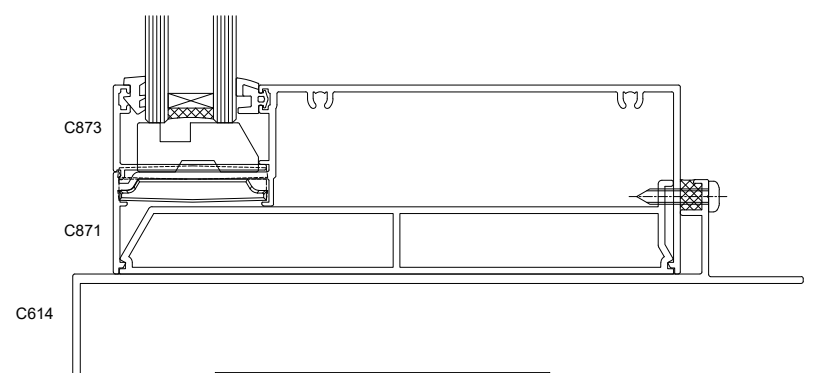
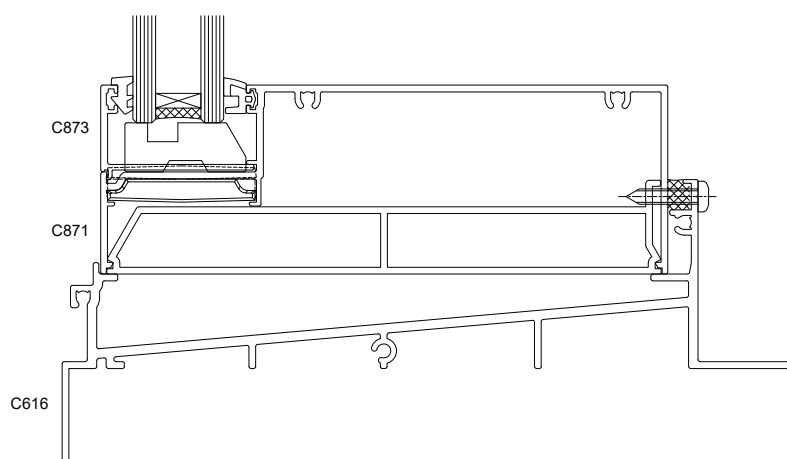
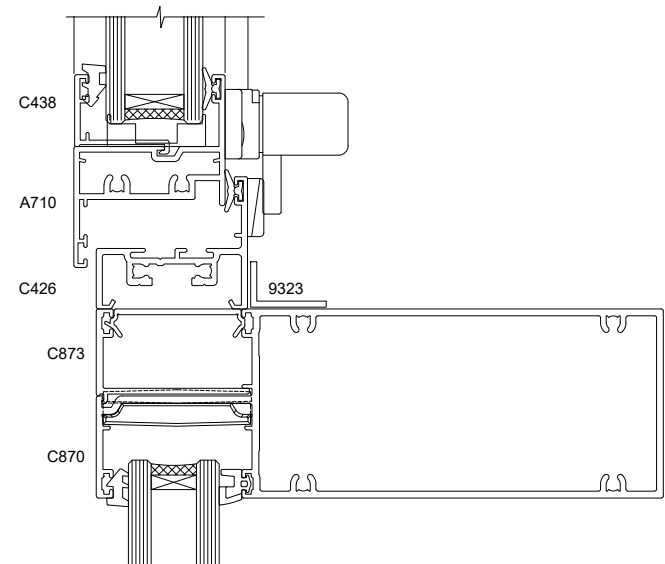
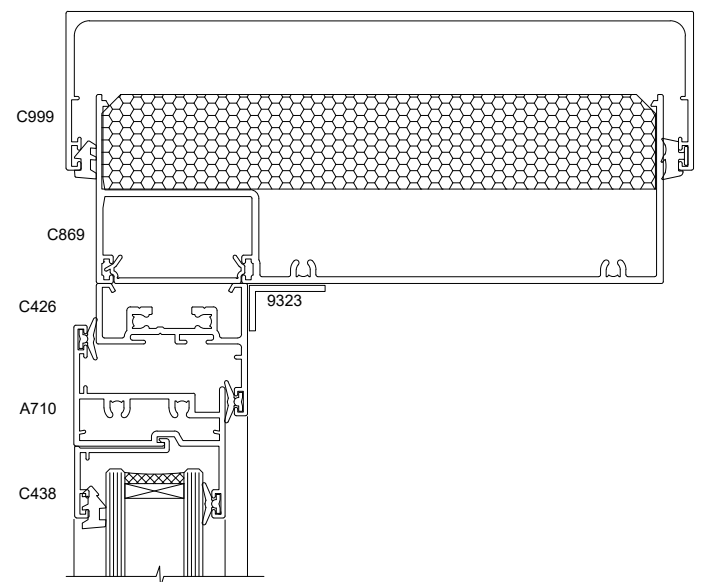
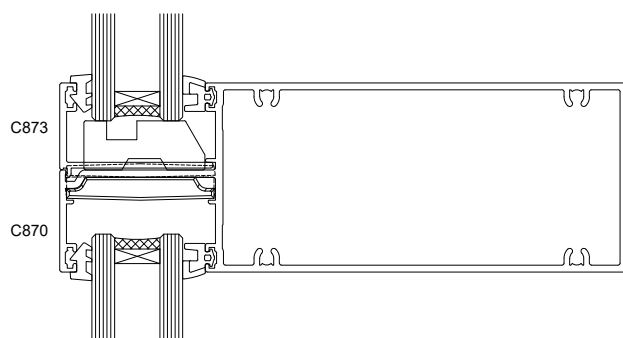
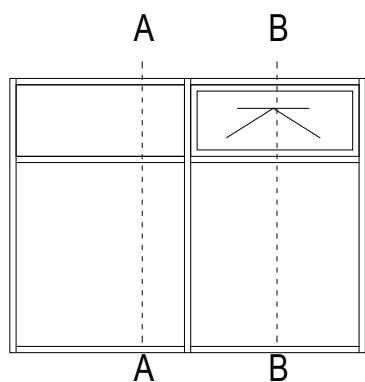
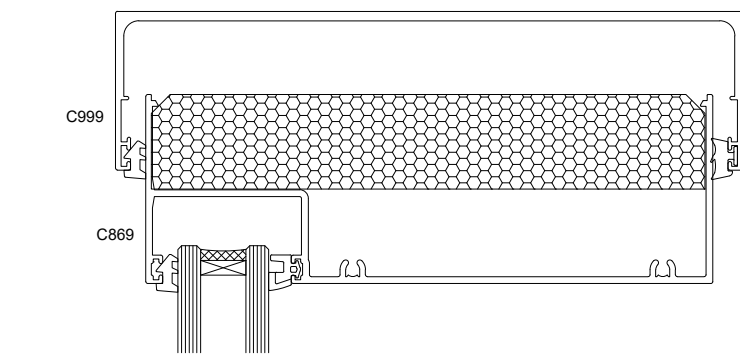


## 125mm FRONT GLAZE WIDE DOOR STILES

FAIRVIEW SYSTEMS LIMITED SPECIFIERS GUIDE 2014 © TECHNICAL SPECIFICATIONS & PROFILE DETAILS SUBJECT TO CHANGE WITHOUT NOTICE

### FAIRVIEW 50 COMMERCIAL FULL SUITE

DATE 14.06.2018	SCALE 1:2
REF. FG125.1029	



ALTERNATIVE SILL

SECTION A-A

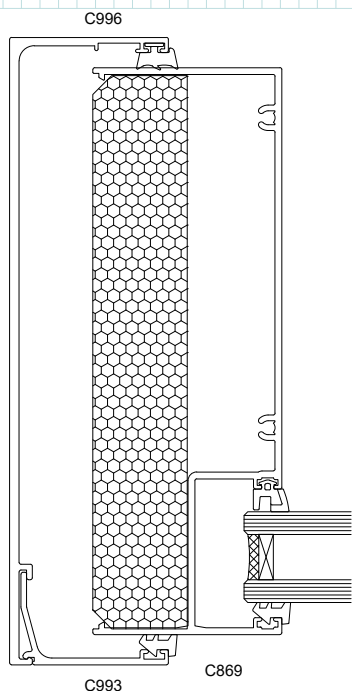
SECTION B-B

## 150mm FRONT GLAZE FIXED GLAZING WINDOW

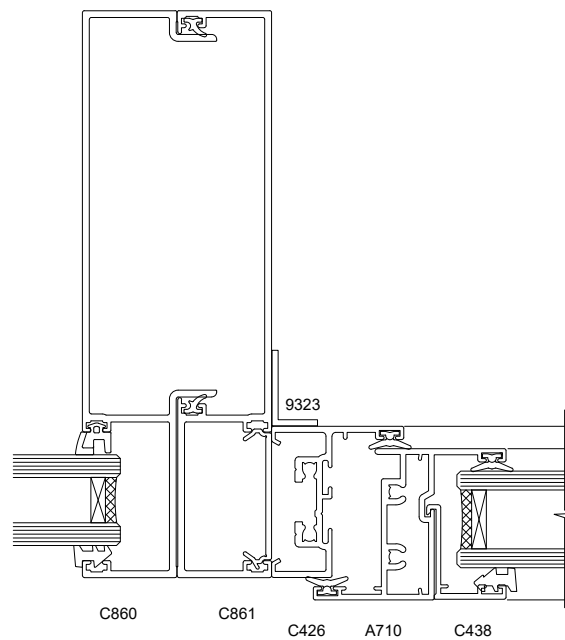
FAIRVIEW SYSTEMS LIMITED SPECIFIERS GUIDE 2014 © TECHNICAL SPECIFICATIONS & PROFILE DETAILS SUBJECT TO CHANGE WITHOUT NOTICE

FAIRVIEW 50 COMMERCIAL FULL SUITE

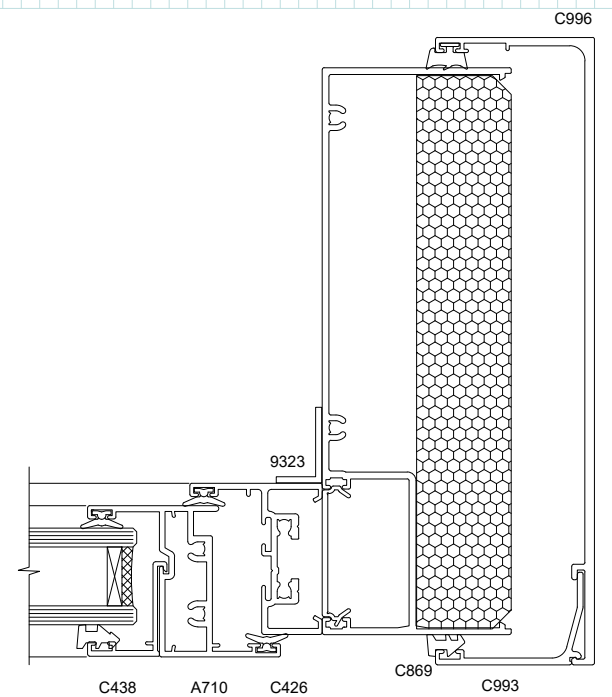
DATE 14.06.2018	SCALE 1:2
REF. FG150.1030	



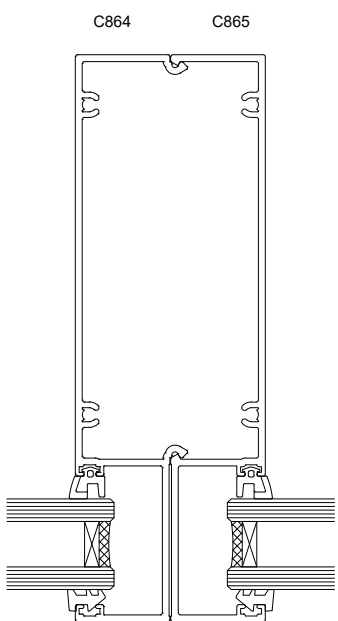
SECTION A-A



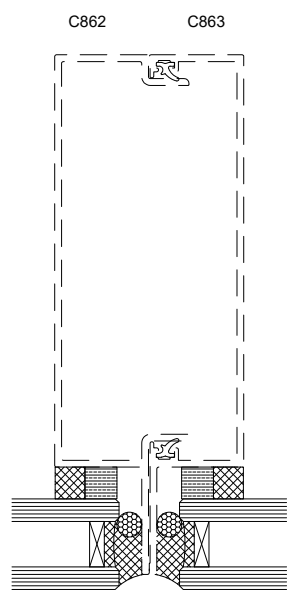
SECTION B-B



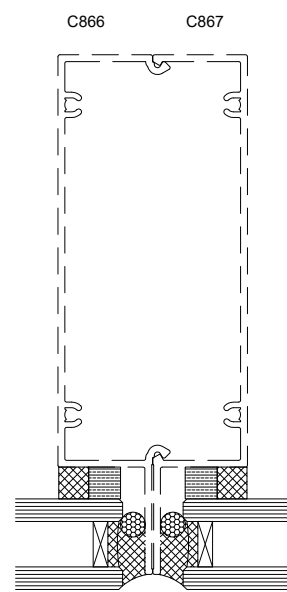
SECTION C-C



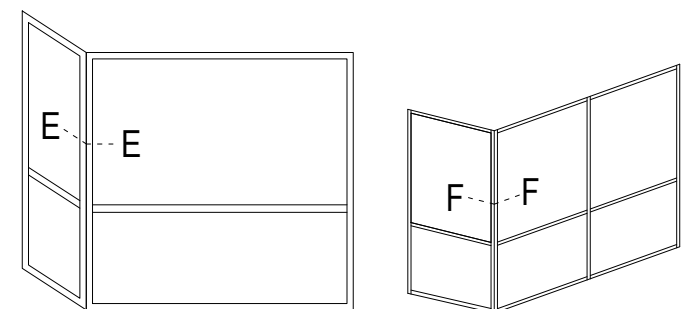
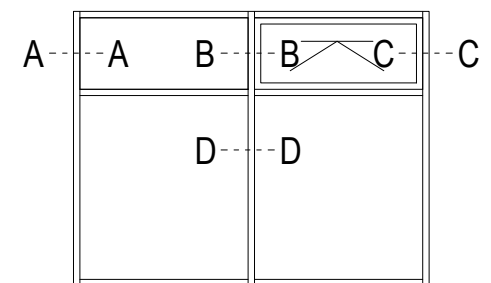
SECTION D-D



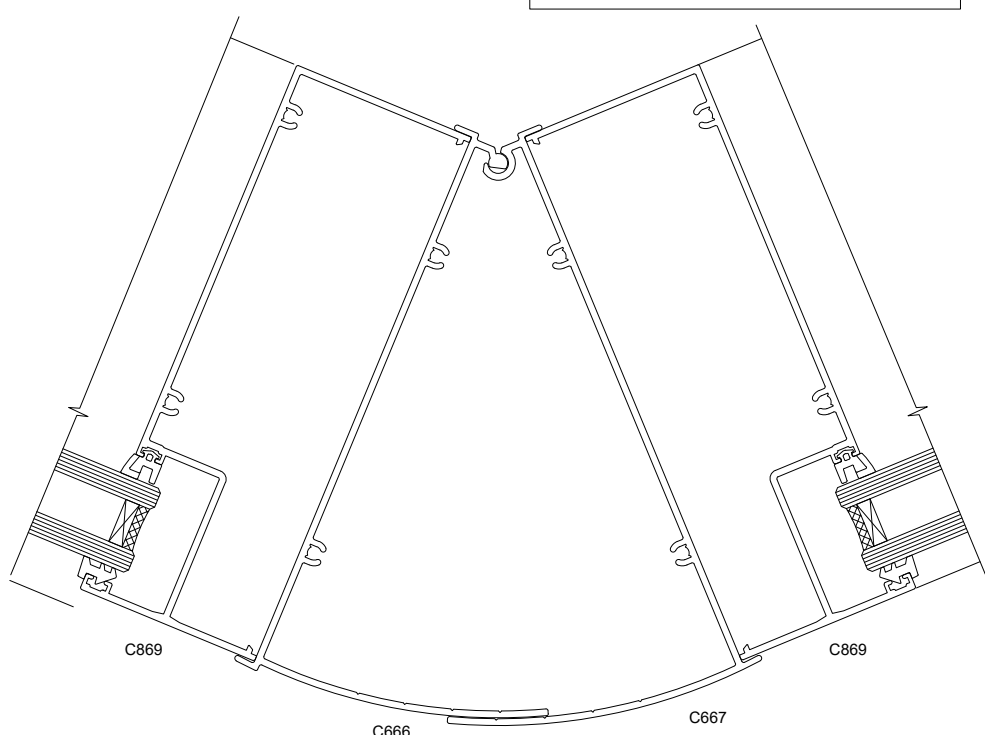
SECTION D-D



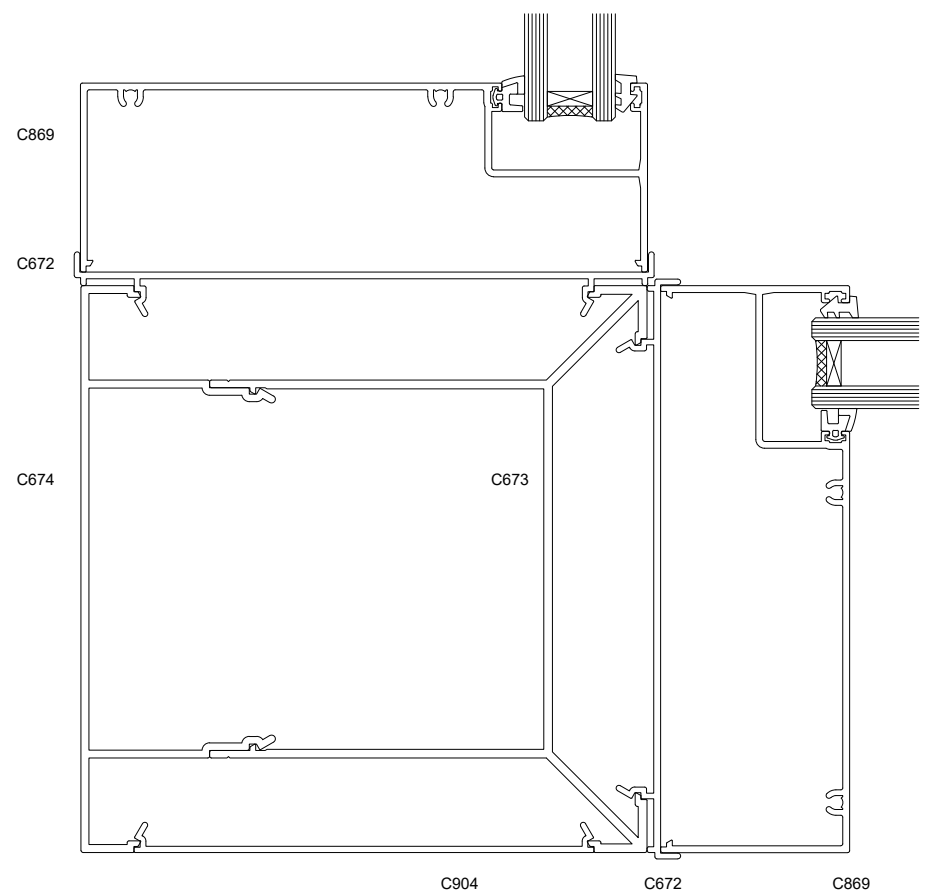
SECTION D-D



ALTERNATIVE MULLIONS



SECTION E-E



SECTION F-F

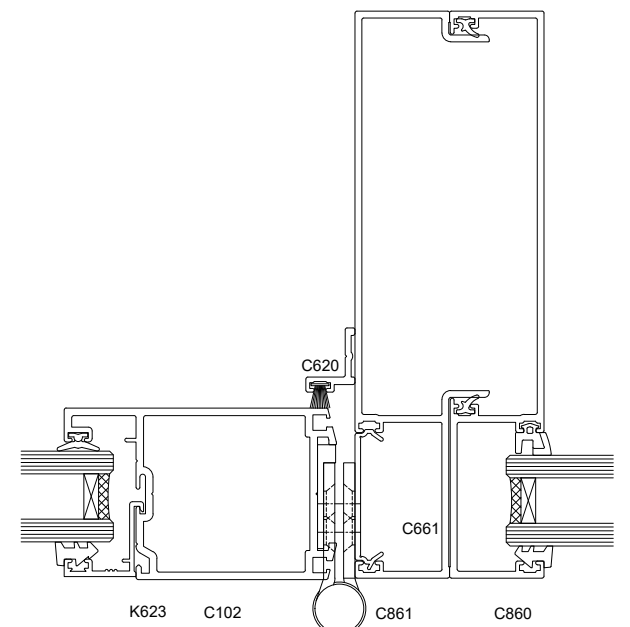
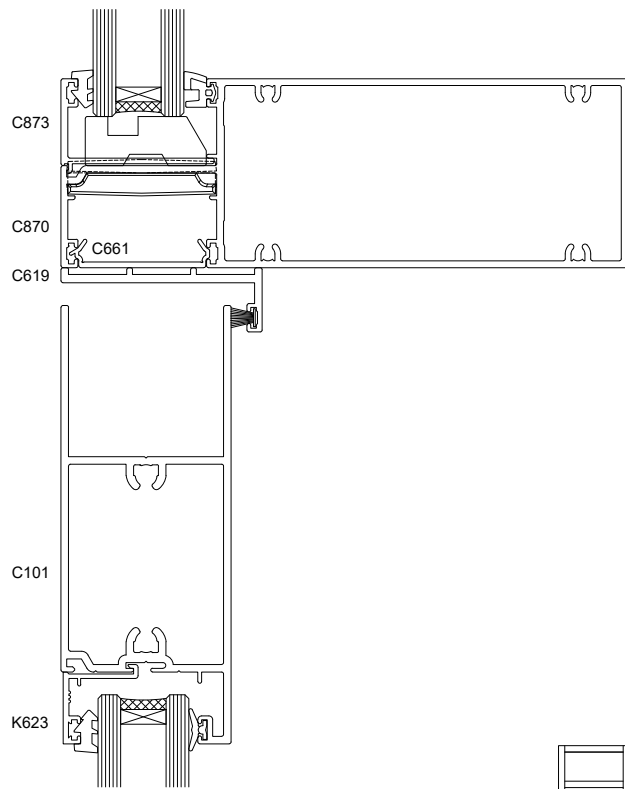
PROFILES SHOWN IN DASHED LINES ARE SUBJECT TO SPECIAL ORDER ONLY, CONSULT FAIRVIEW SYSTEMS FOR INFO

## 150mm FRONT GLAZE FIXED GLAZING WINDOW

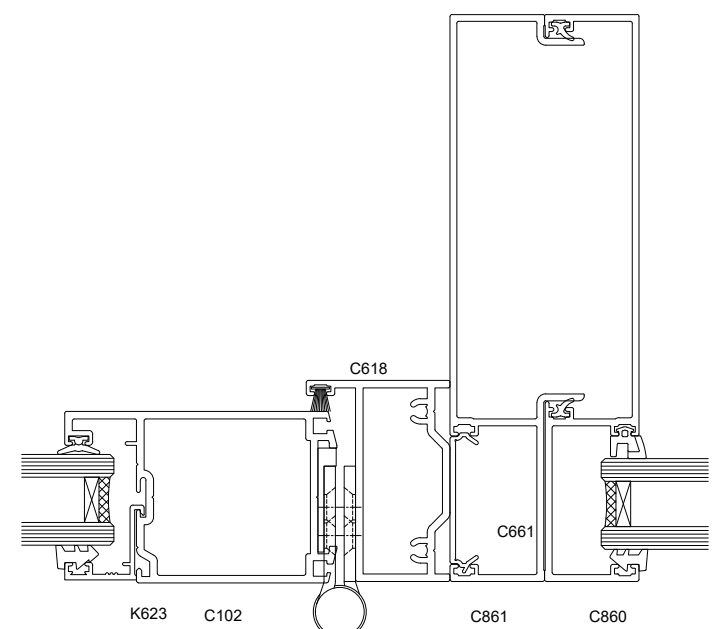
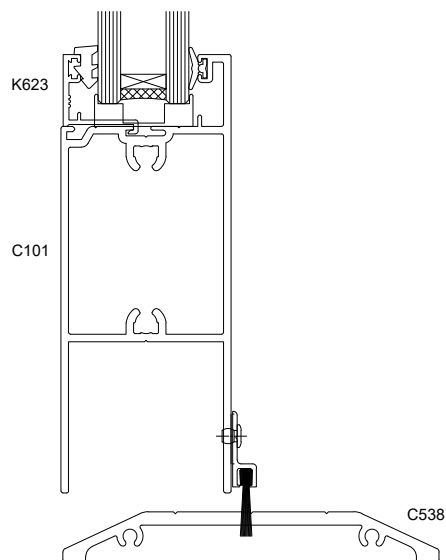
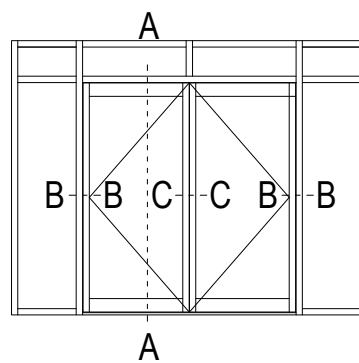
FAIRVIEW SYSTEMS LIMITED SPECIFIERS GUIDE 2014 © TECHNICAL SPECIFICATIONS & PROFILE DETAILS SUBJECT TO CHANGE WITHOUT NOTICE

FAIRVIEW 50 COMMERCIAL FULL SUITE

DATE 14.06.2018	SCALE 1:2
REF. FG150.1031	



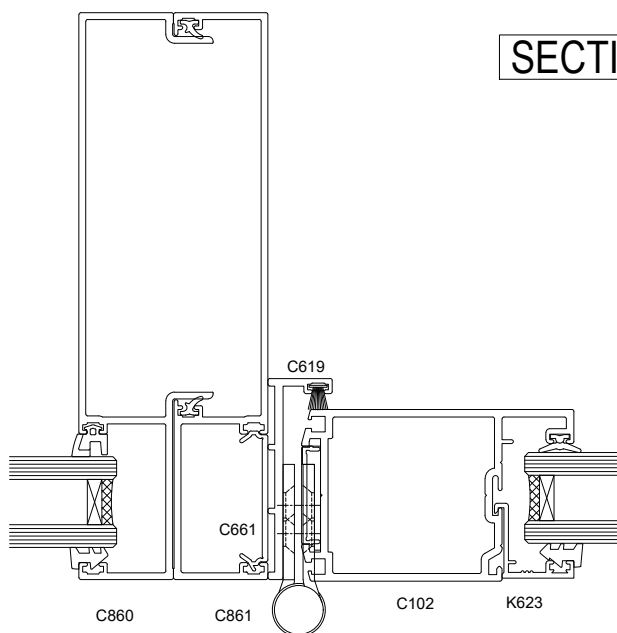
SECTION B-B



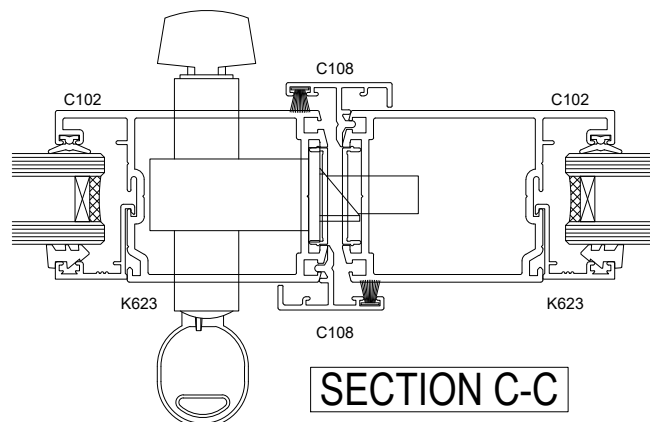
SECTION B-B

DETAILS SHOWN ARE NON-WEATHERED SILLS. FOR WEATHERED SILL DETAILS PLEASE CONTACT FAIRVIEW SYSTEMS LTD.

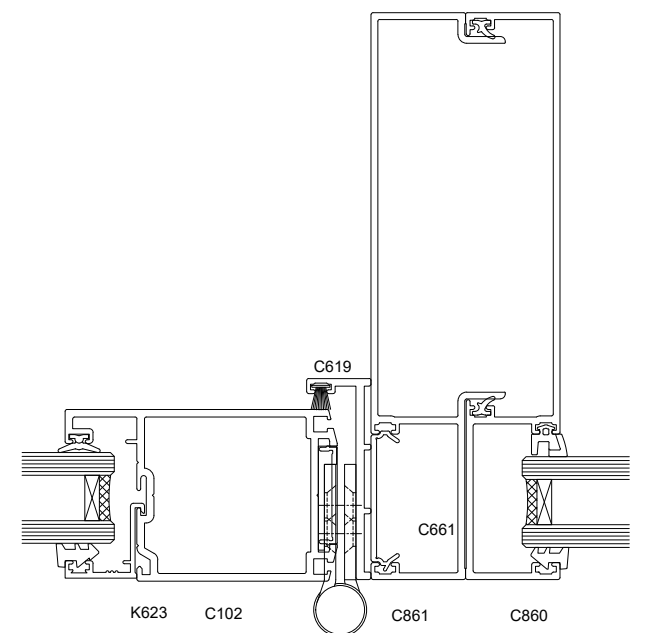
SECTION A-A



SECTION B-B



SECTION C-C



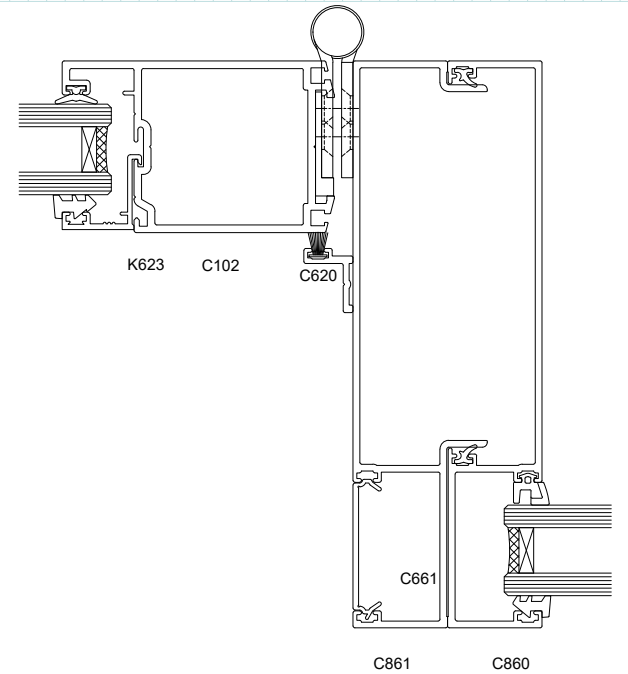
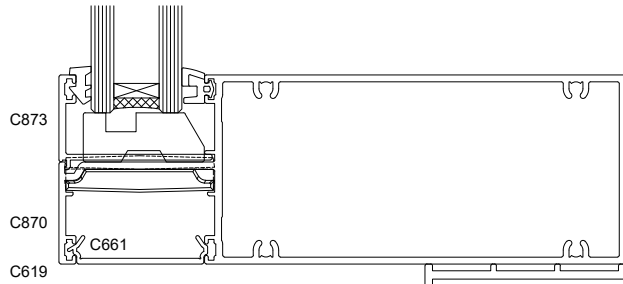
SECTION B-B

## 150mm FRONT GLAZE HINGED DOOR OPEN OUT

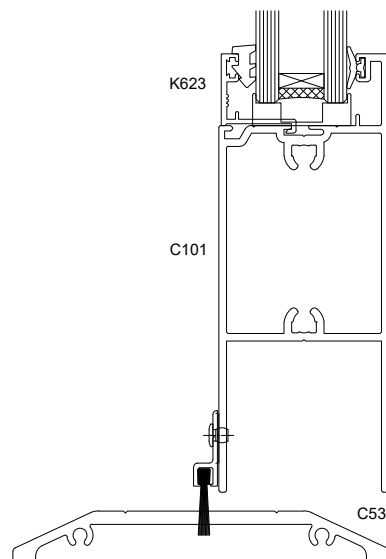
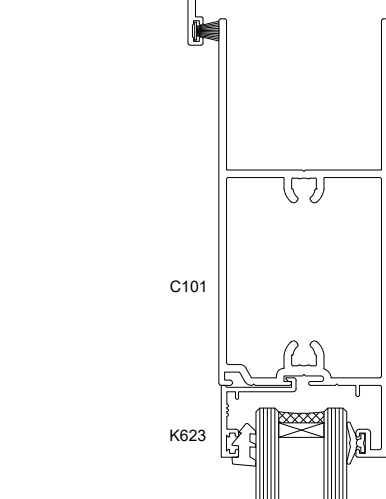
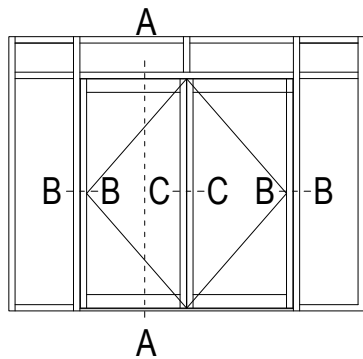
FAIRVIEW SYSTEMS LIMITED SPECIFIERS GUIDE 2014 © TECHNICAL SPECIFICATIONS & PROFILE DETAILS SUBJECT TO CHANGE WITHOUT NOTICE

### FAIRVIEW 50 COMMERCIAL FULL SUITE

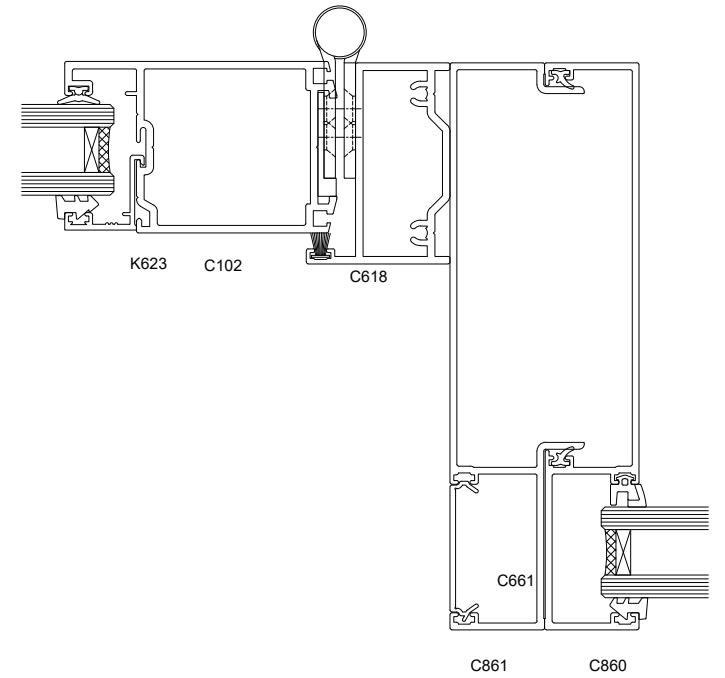
DATE 14.06.2018	SCALE 1:2
REF. FG150.1032	



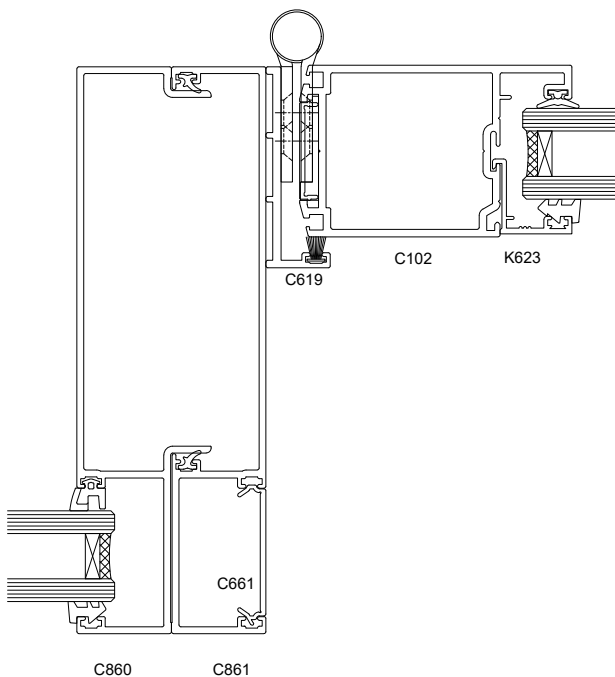
SECTION B-B



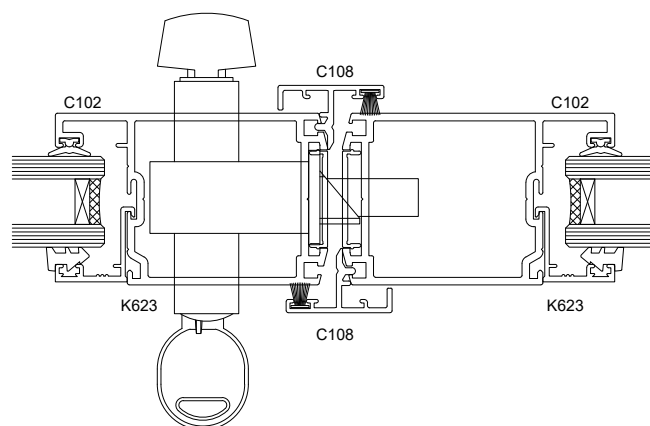
SECTION A-A



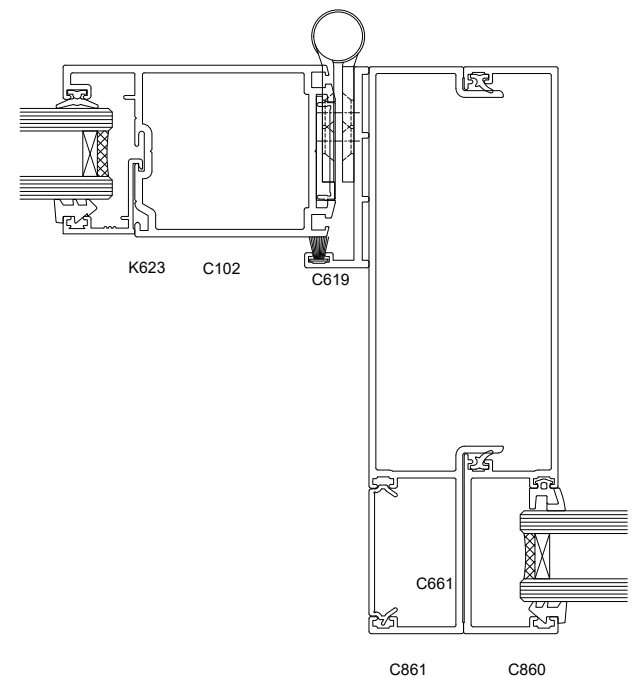
SECTION B-B



SECTION B-B



SECTION C-C



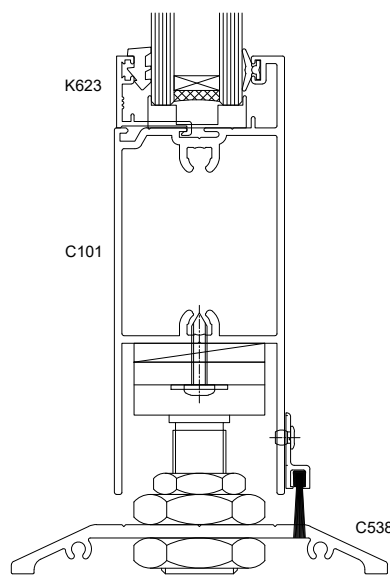
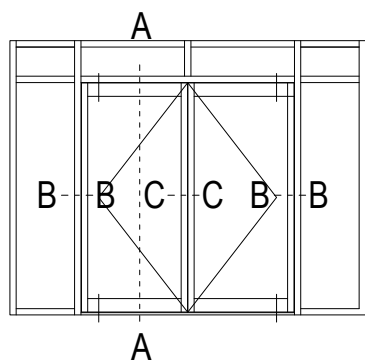
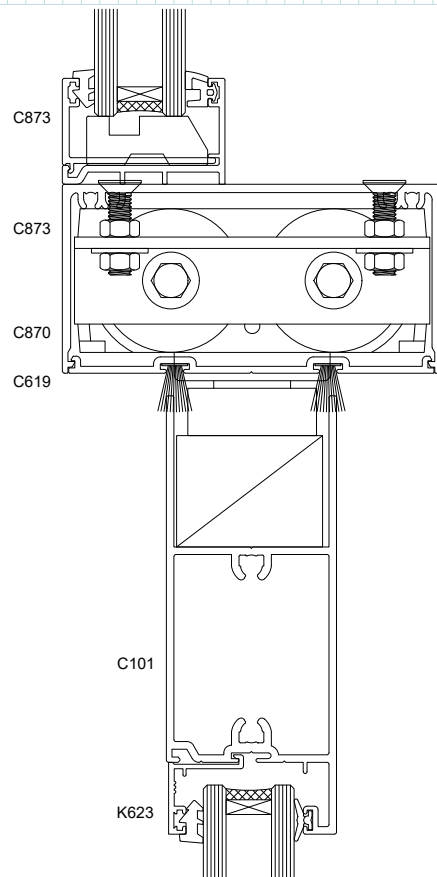
SECTION B-B

## 150mm FRONT GLAZE HINGED DOOR OPEN IN

FAIRVIEW SYSTEMS LIMITED SPECIFIERS GUIDE 2014 © TECHNICAL SPECIFICATIONS & PROFILE DETAILS SUBJECT TO CHANGE WITHOUT NOTICE

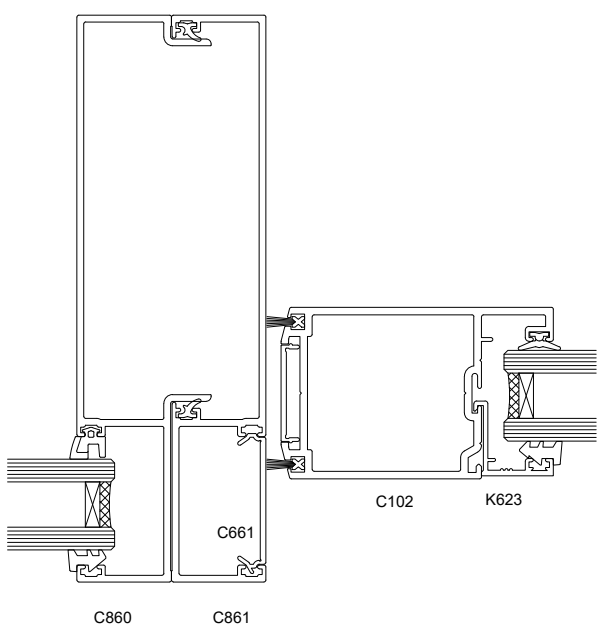
### FAIRVIEW 50 COMMERCIAL FULL SUITE

DATE 14.06.2018	SCALE 1:2
REF. FG150.1033	

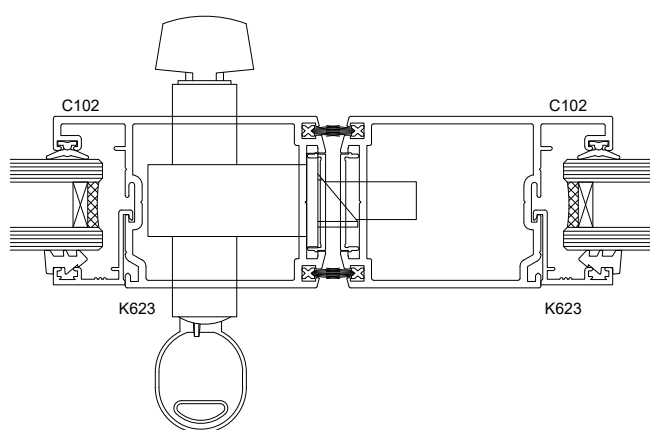


**SECTION A-A**

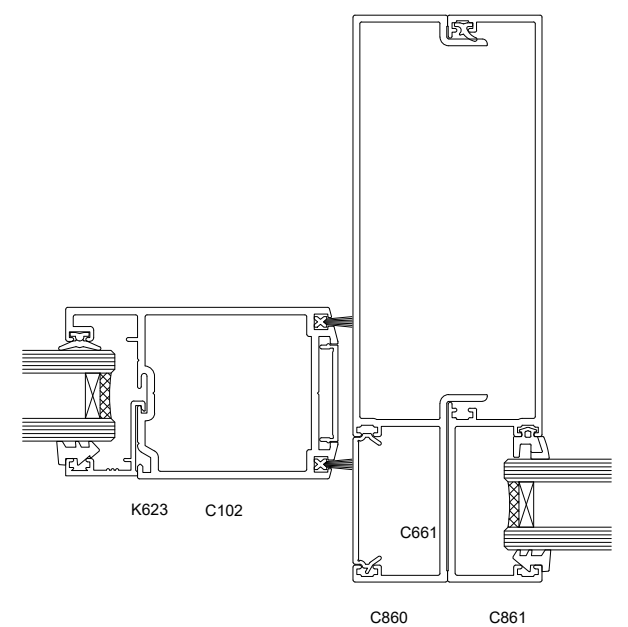
DETAILS SHOWN ARE  
NON-WEATHERED SILLS. FOR  
WEATHERED SILL DETAILS  
PLEASE CONTACT FAIRVIEW  
SYSTEMS LTD.



**SECTION B-B**



**SECTION C-C**



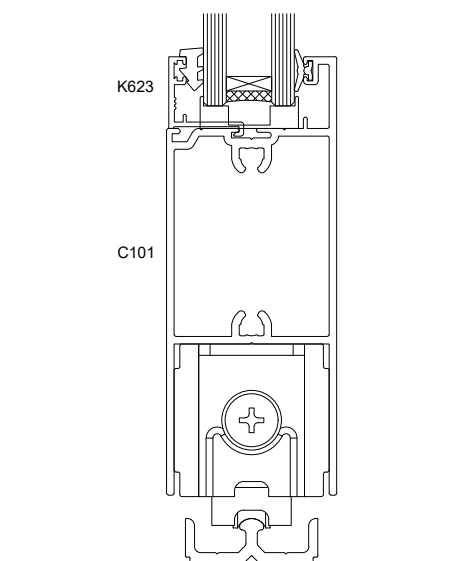
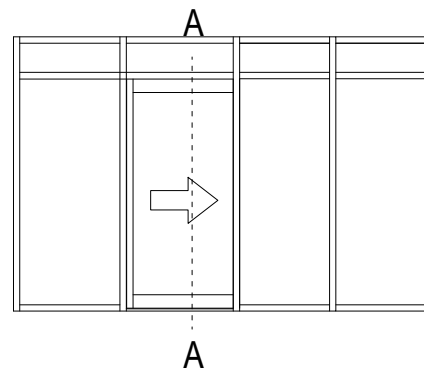
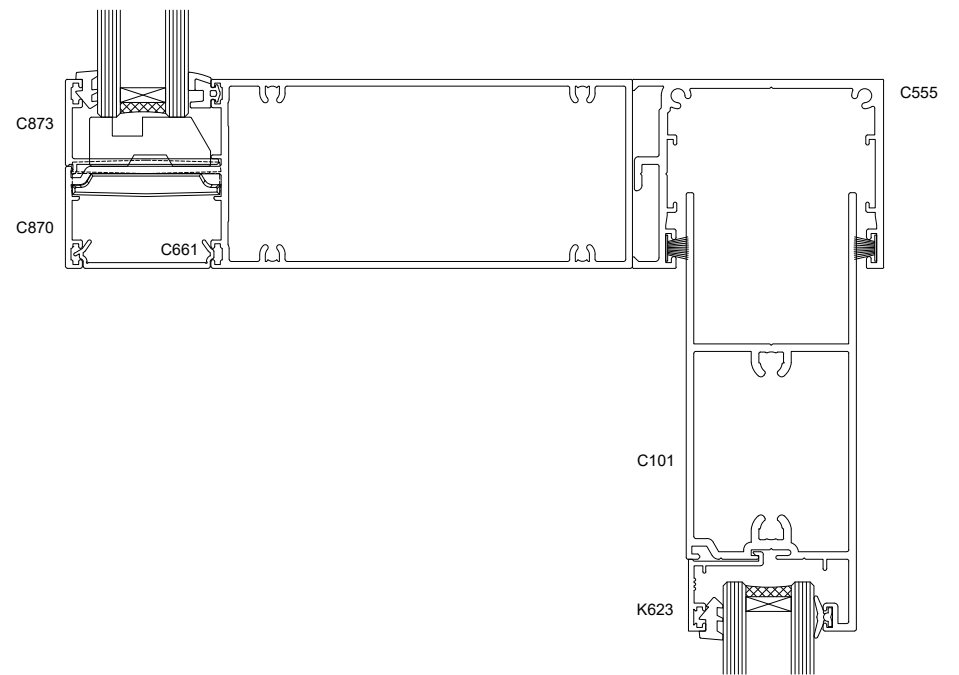
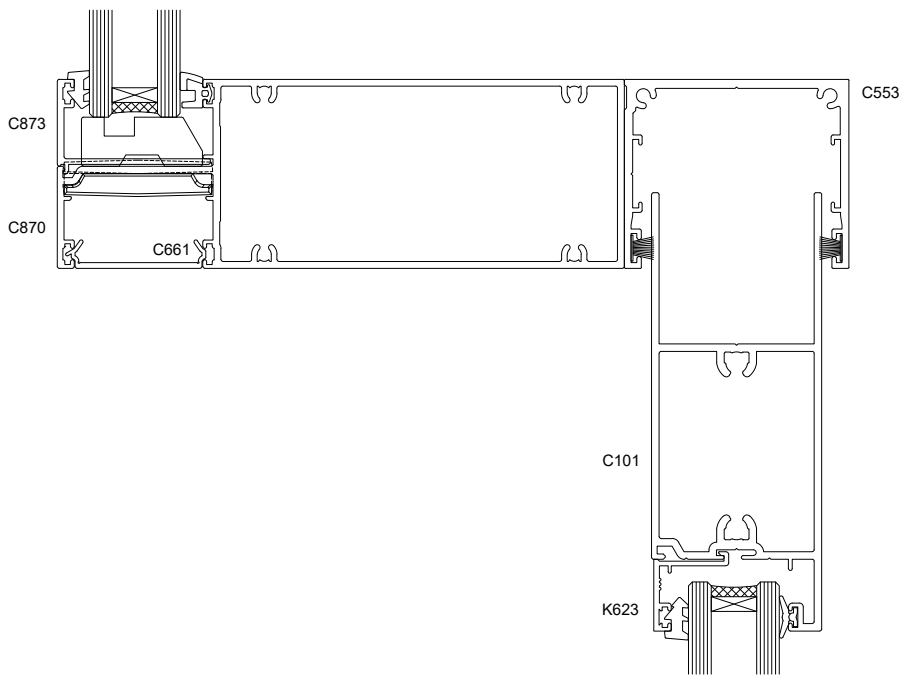
**SECTION B-B**

## 150mm FRONT GLAZE PIVOT DOOR

FAIRVIEW SYSTEMS LIMITED SPECIFIERS GUIDE 2014 © TECHNICAL SPECIFICATIONS & PROFILE DETAILS SUBJECT TO CHANGE WITHOUT NOTICE

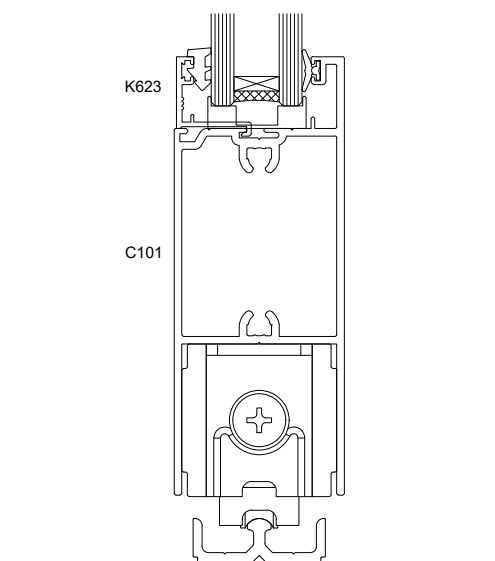
**FAIRVIEW 50 COMMERCIAL FULL SUITE**

DATE 14.06.2018	SCALE 1:2
REF. FG150.1034	



SECTION A-A

NON-INTERLOCKED



SECTION A-A

INTERLOCKED

DETAILS SHOWN ARE  
NON-WEATHERED SILLS. FOR  
WEATHERED SILL DETAILS  
PLEASE CONTACT FAIRVIEW  
SYSTEMS LTD.

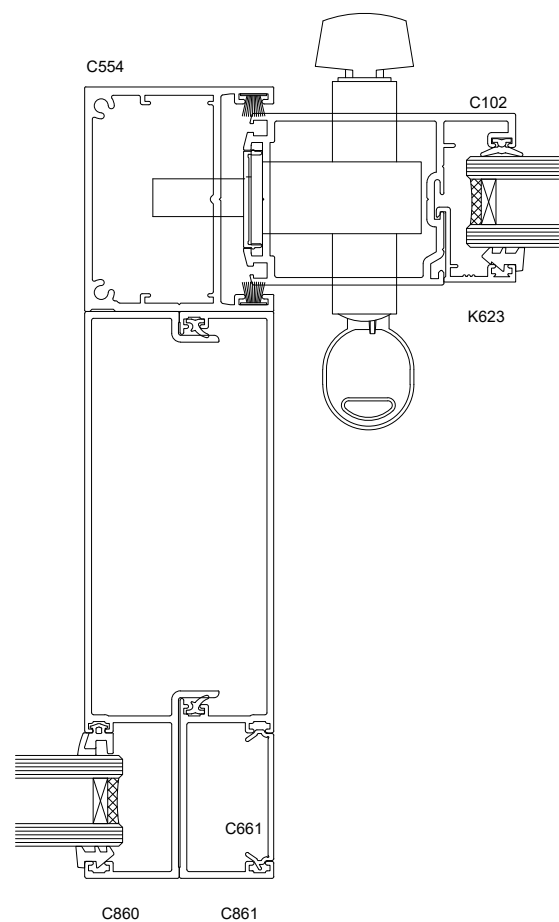
## 150mm FRONT GLAZE SLIDING DOOR

FAIRVIEW SYSTEMS LIMITED SPECIFIERS GUIDE 2014 © TECHNICAL SPECIFICATIONS & PROFILE DETAILS SUBJECT TO CHANGE WITHOUT NOTICE

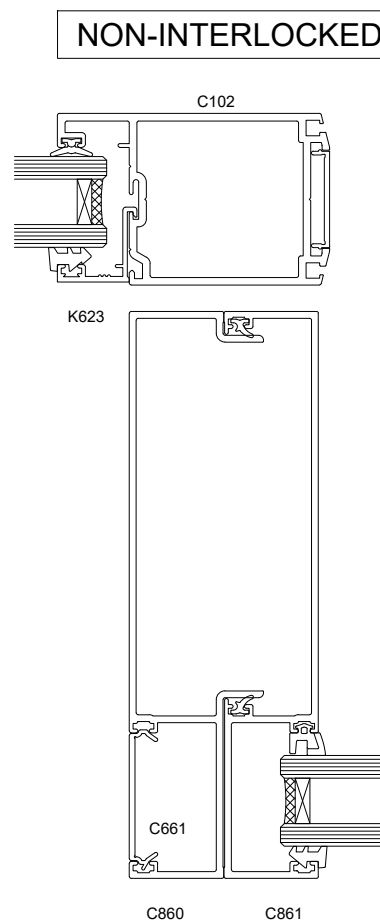
FAIRVIEW 50 COMMERCIAL FULL SUITE

DATE 14.06.2018	SCALE 1:2
REF. FG150.1035	

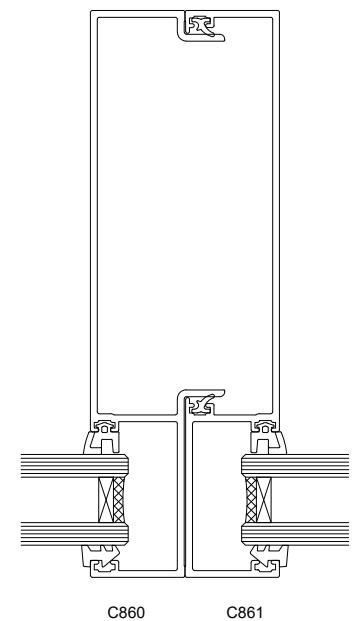




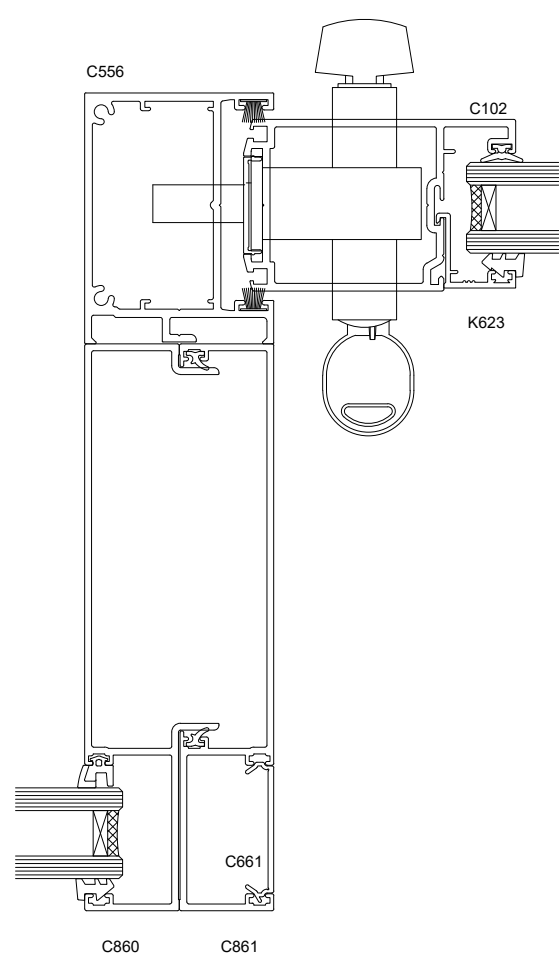
SECTION A-A



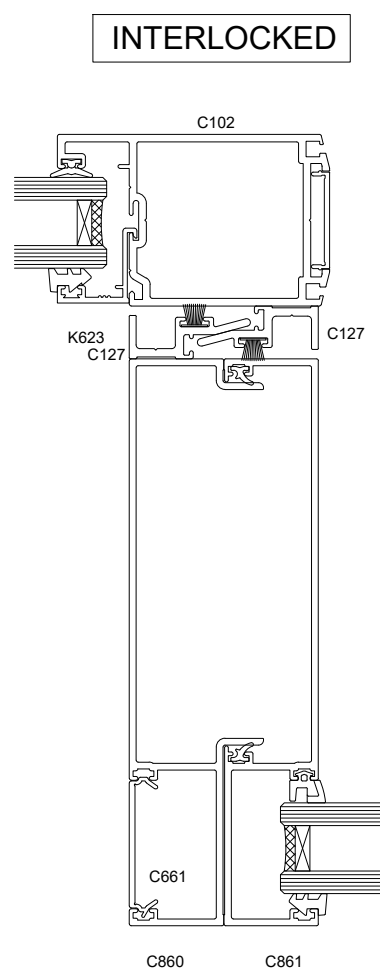
SECTION B-B



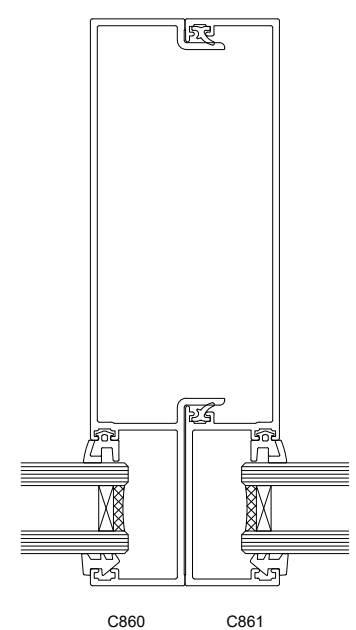
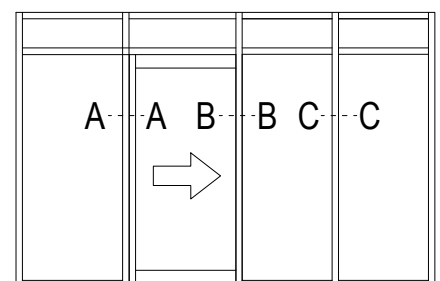
SECTION C-C



SECTION A-A



SECTION B-B



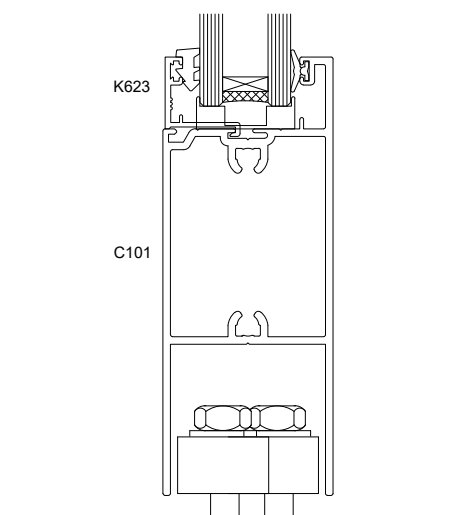
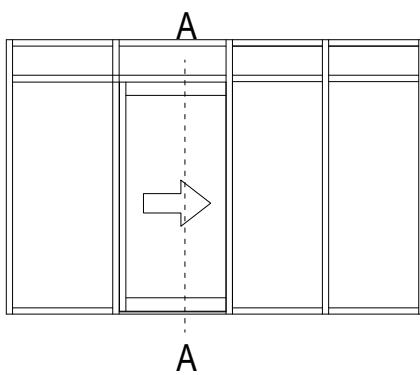
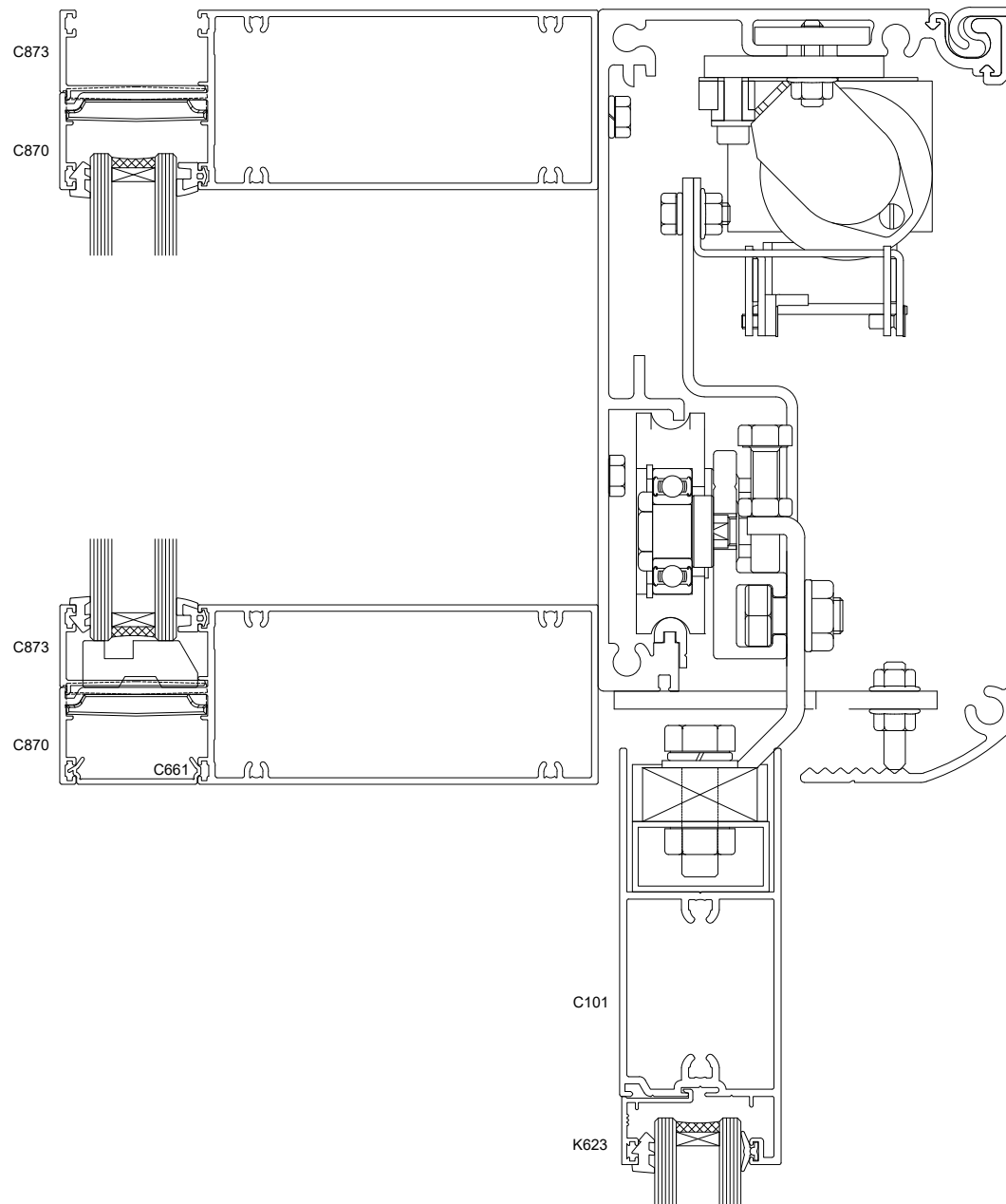
SECTION C-C

## 150mm FRONT GLAZE SLIDING DOOR

FAIRVIEW SYSTEMS LIMITED SPECIFIERS GUIDE 2014 © TECHNICAL SPECIFICATIONS & PROFILE DETAILS SUBJECT TO CHANGE WITHOUT NOTICE

FAIRVIEW 50 COMMERCIAL FULL SUITE

DATE 14.06.2018	SCALE 1:2
REF. FG150.1036	



SECTION A-A

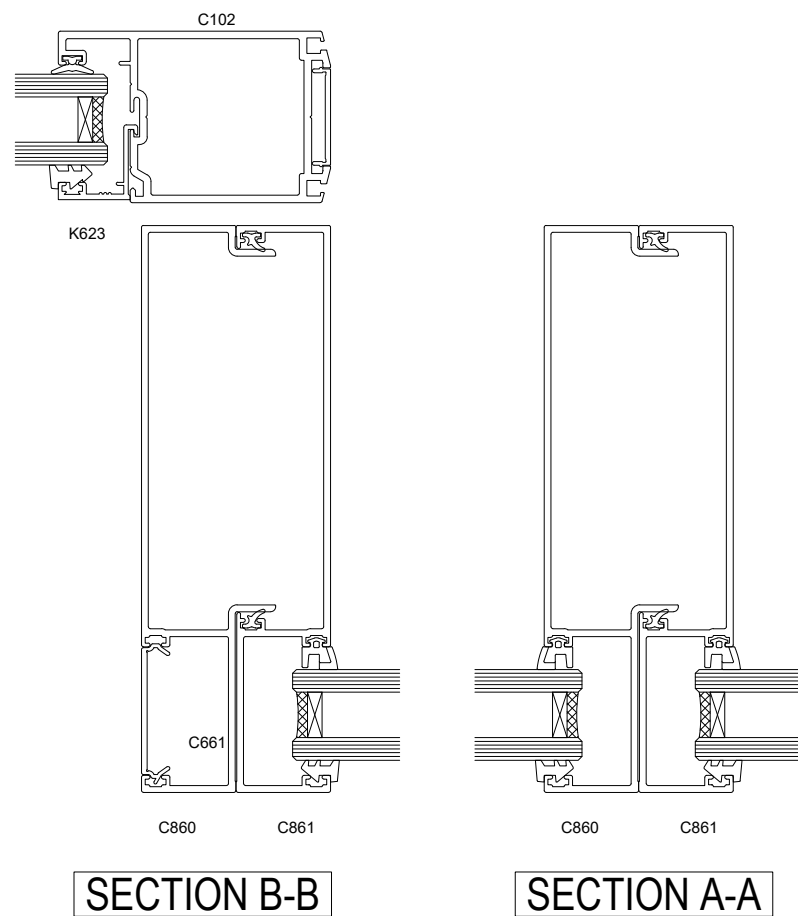
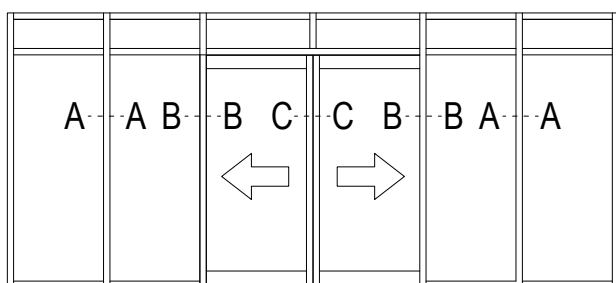
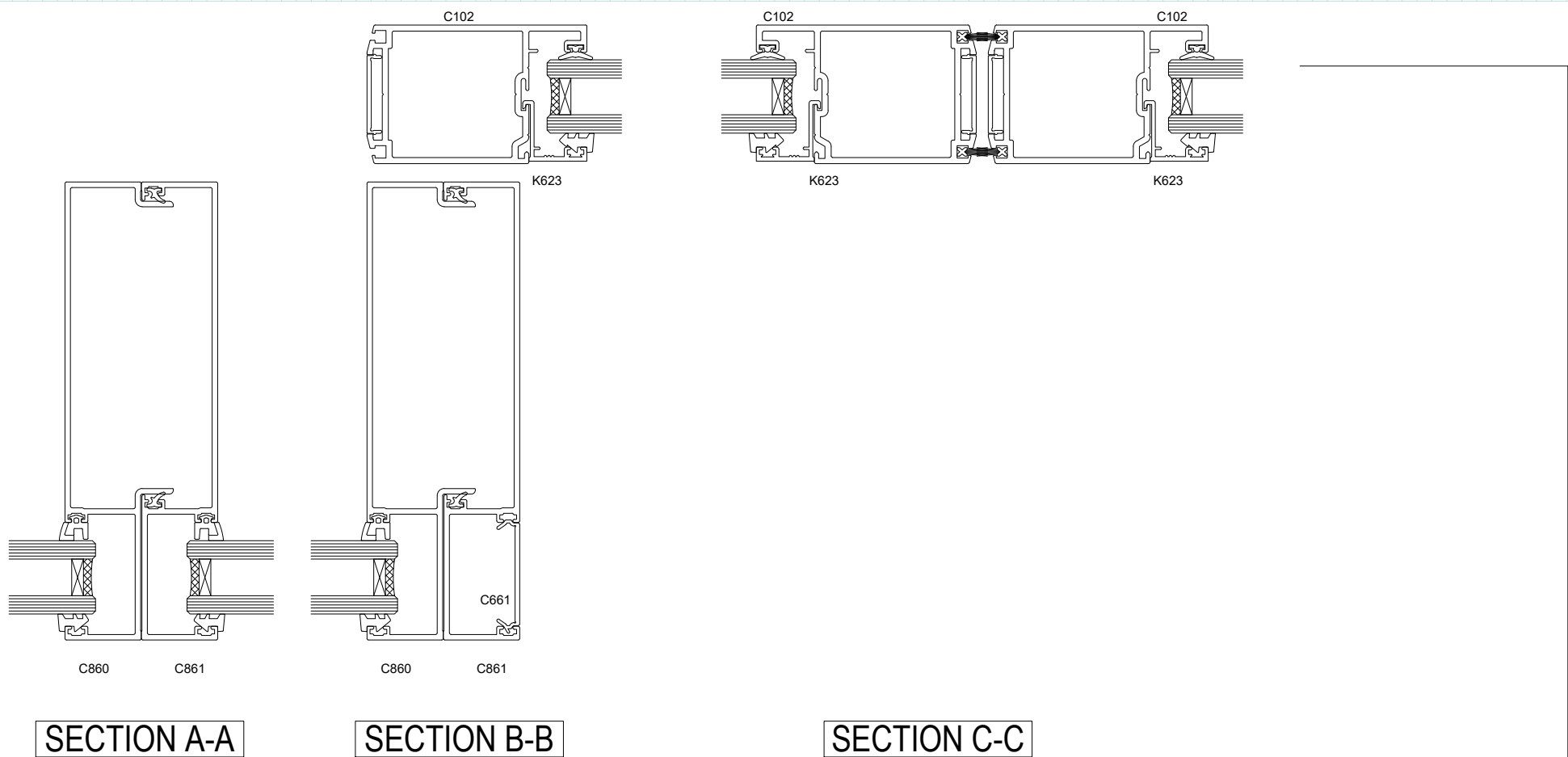
DETAILS SHOWN ARE  
NON-WEATHERED SILLS. FOR  
WEATHERED SILL DETAILS  
PLEASE CONTACT FAIRVIEW  
SYSTEMS LTD.

## 150mm FRONT GLAZE AUTO SLIDING DOOR

FAIRVIEW SYSTEMS LIMITED SPECIFIERS GUIDE 2014 © TECHNICAL SPECIFICATIONS & PROFILE DETAILS SUBJECT TO CHANGE WITHOUT NOTICE

FAIRVIEW 50 COMMERCIAL FULL SUITE

DATE 14.06.2018	SCALE 1:2
REF. FG150.1037	

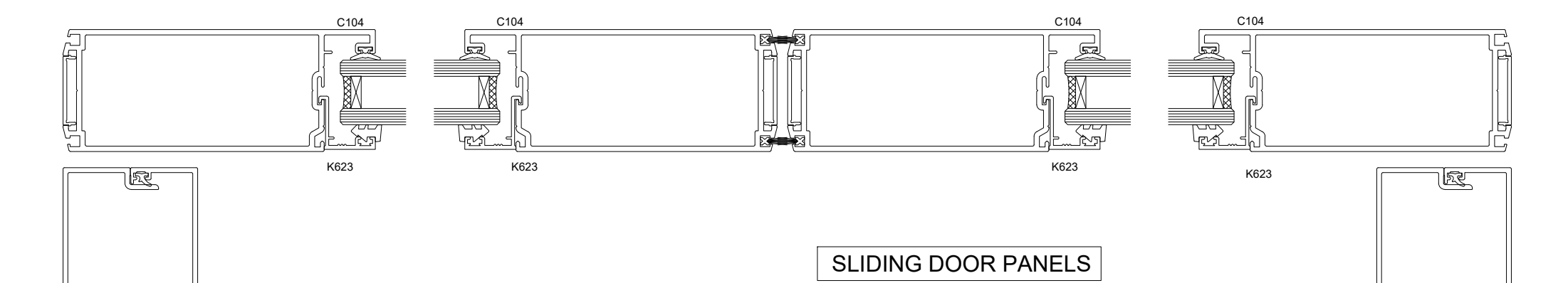
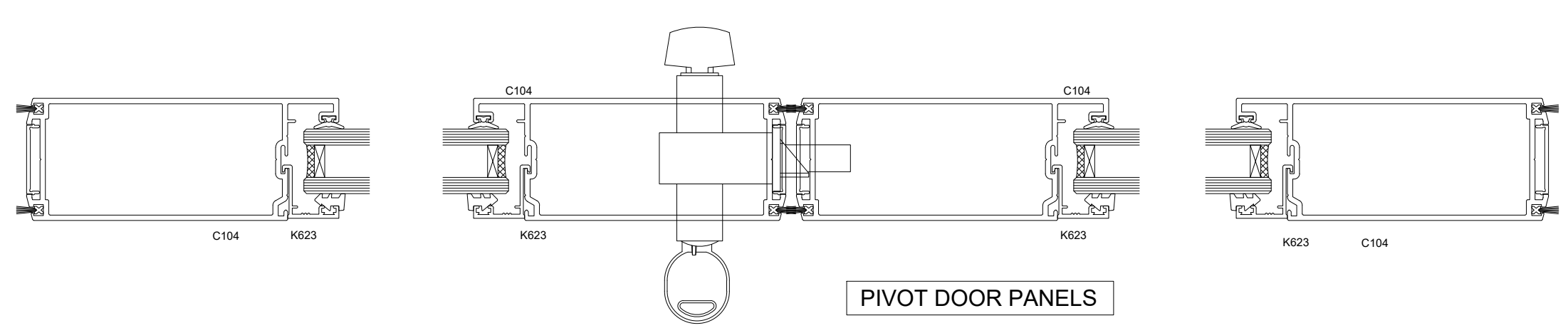
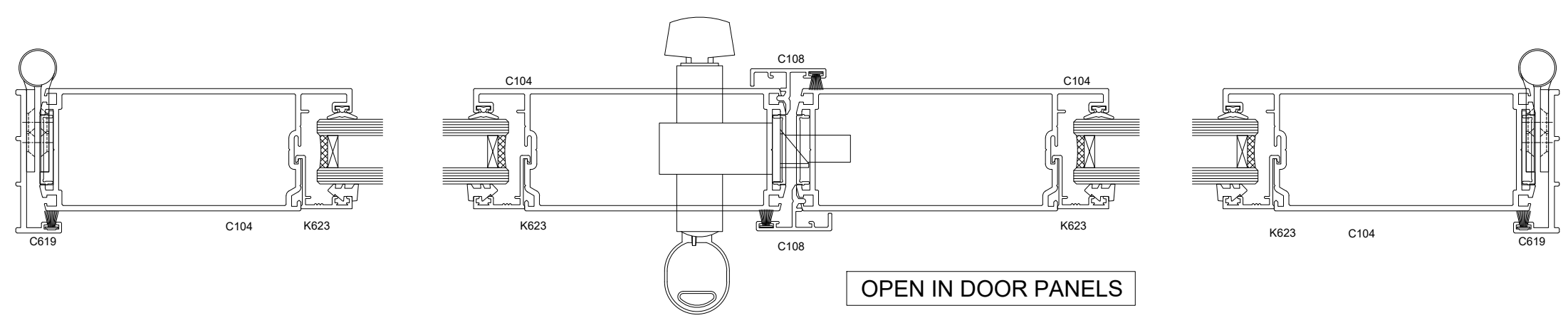
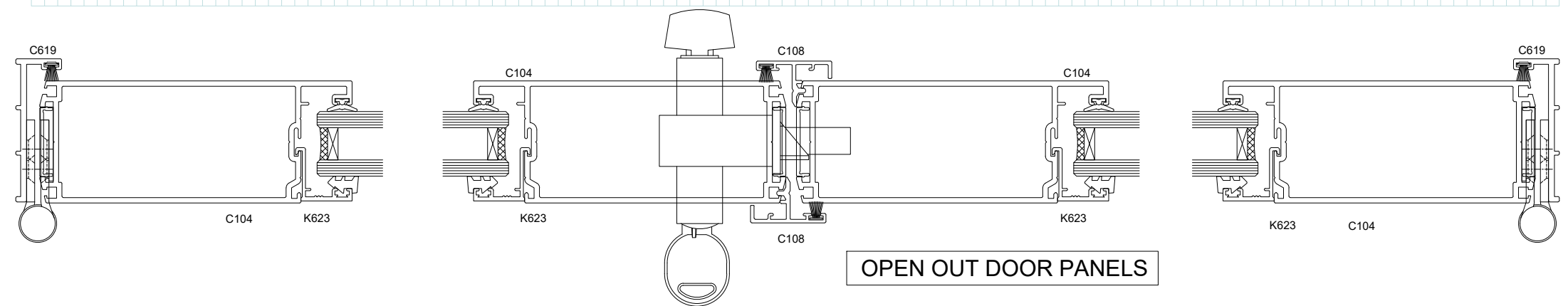


## 150mm FRONT GLAZE AUTO SLIDING DOOR

FAIRVIEW SYSTEMS LIMITED SPECIFIERS GUIDE 2014 © TECHNICAL SPECIFICATIONS & PROFILE DETAILS SUBJECT TO CHANGE WITHOUT NOTICE

**FAIRVIEW 50 COMMERCIAL FULL SUITE**

DATE 14.06.2018	SCALE 1:2
REF. FG150.1038	

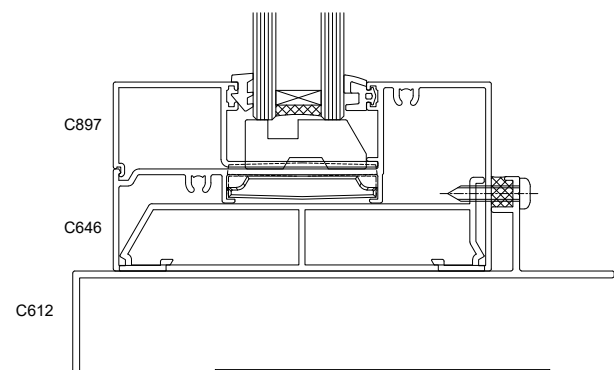
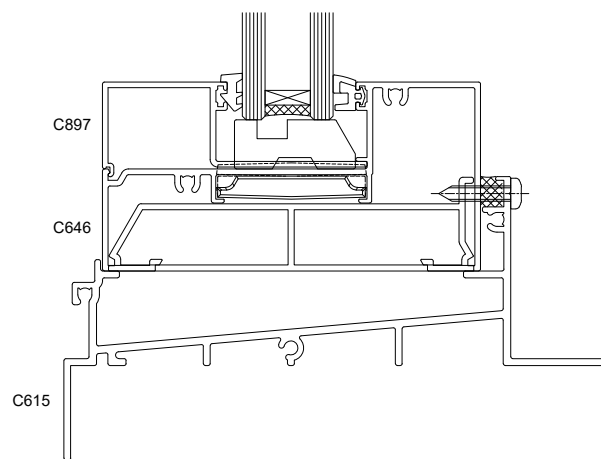
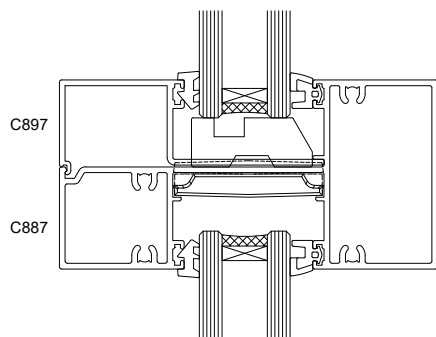
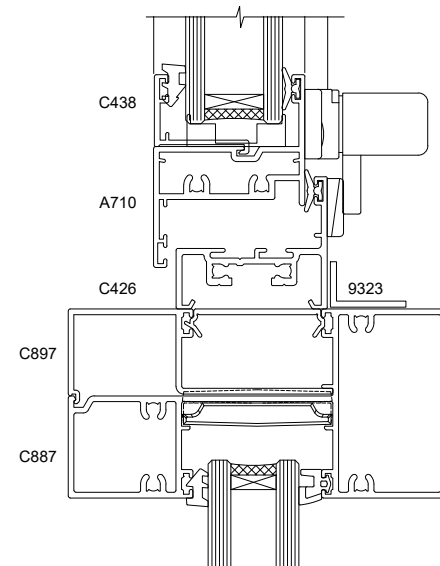
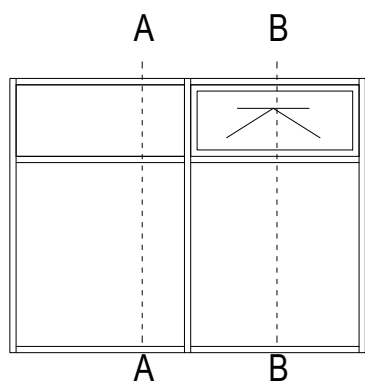
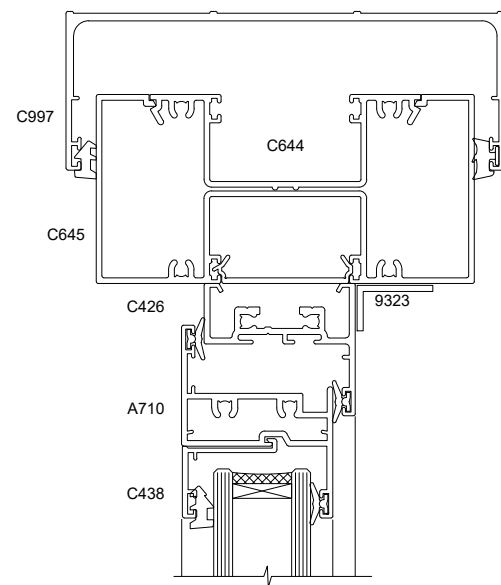
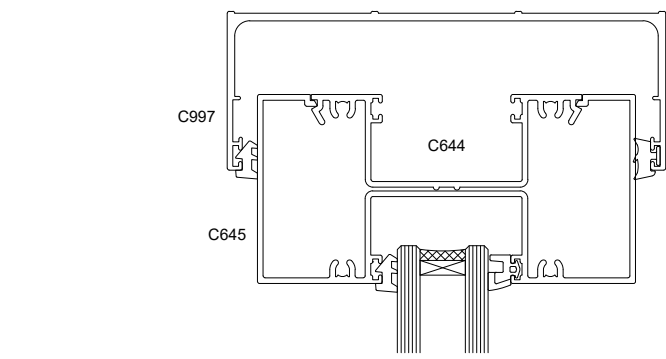


## 150mm FRONT GLAZE WIDE DOOR STILES

FAIRVIEW SYSTEMS LIMITED SPECIFIERS GUIDE 2014 © TECHNICAL SPECIFICATIONS & PROFILE DETAILS SUBJECT TO CHANGE WITHOUT NOTICE

### FAIRVIEW 50 COMMERCIAL FULL SUITE

DATE 14.06.2018	SCALE 1:2
REF. FG150.1039	



ALTERNATIVE SILL

SECTION A-A

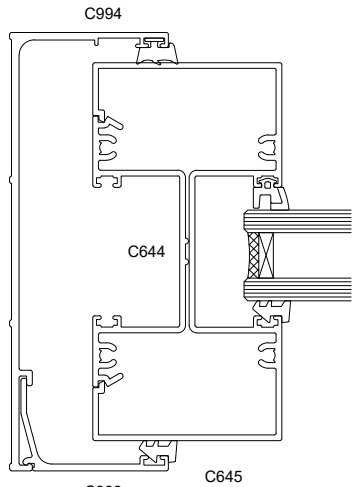
SECTION B-B

## 100mm CENTRE GLAZE FIXED GLAZING WINDOW

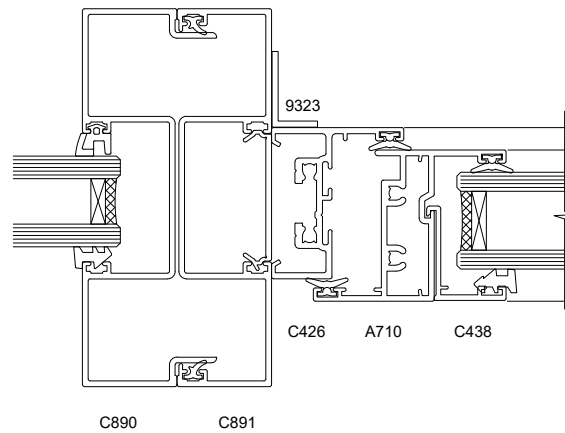
FAIRVIEW SYSTEMS LIMITED SPECIFIERS GUIDE 2014 © TECHNICAL SPECIFICATIONS & PROFILE DETAILS SUBJECT TO CHANGE WITHOUT NOTICE

FAIRVIEW 50 COMMERCIAL FULL SUITE

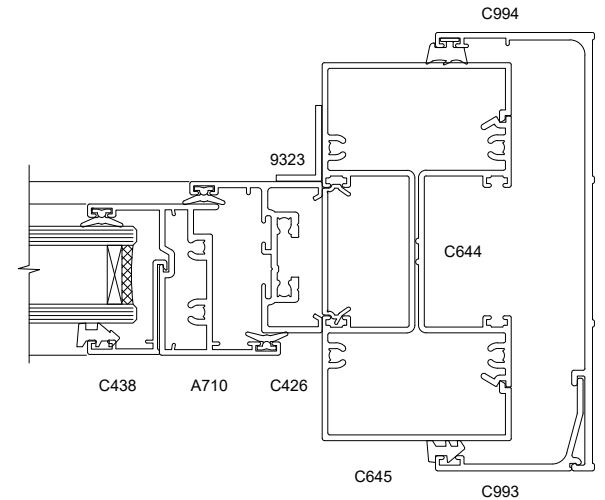
DATE 14.06.2018	SCALE 1:2
REF. CG100.1040	



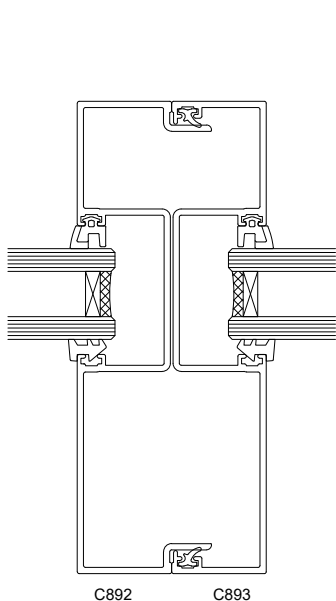
**SECTION A-A**



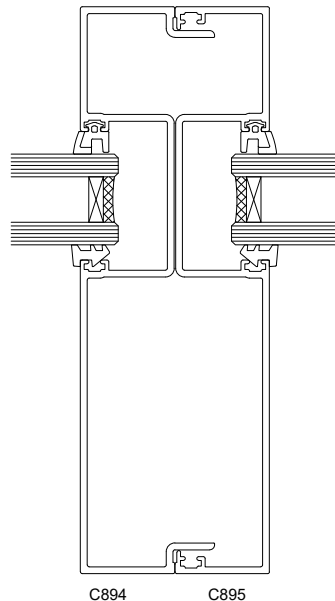
**SECTION B-B**



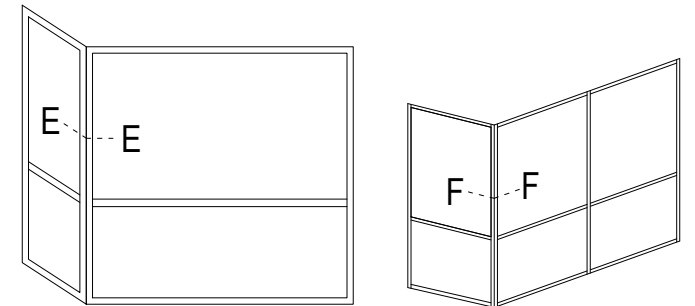
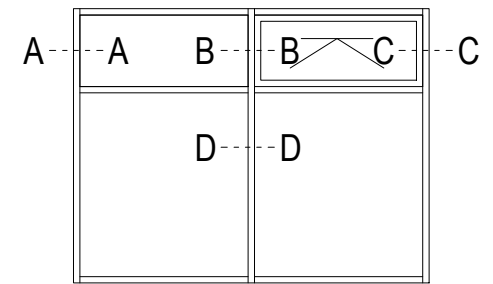
**SECTION C-C**



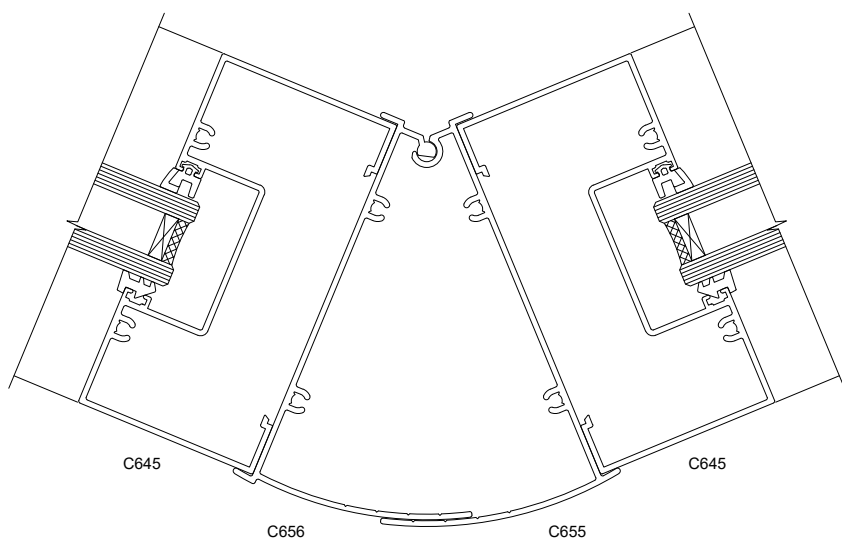
**SECTION D-D**



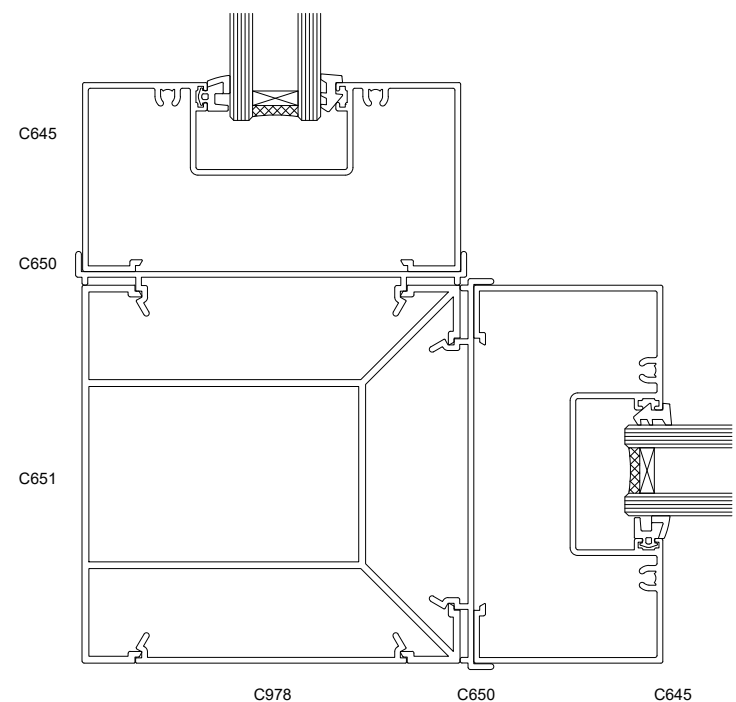
**SECTION D-D**



**ALTERNATIVE MULLIONS**



**SECTION E-E**



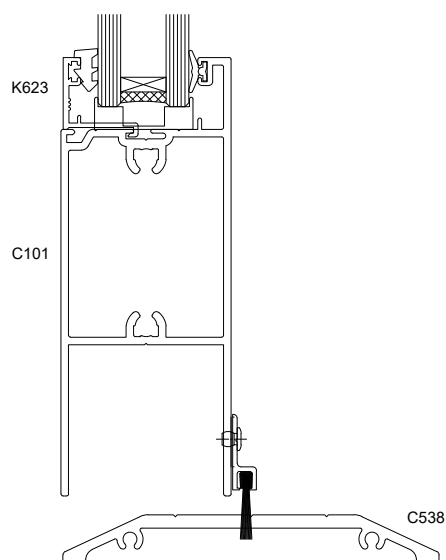
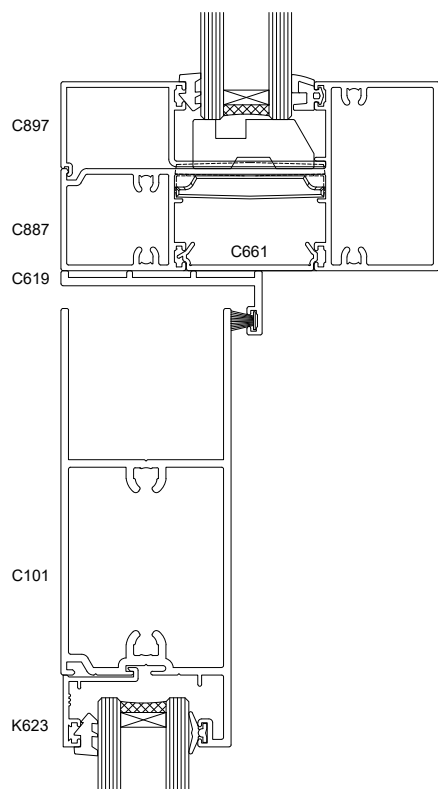
**SECTION F-F**

## 100mm CENTRE GLAZE FIXED GLAZING WINDOW

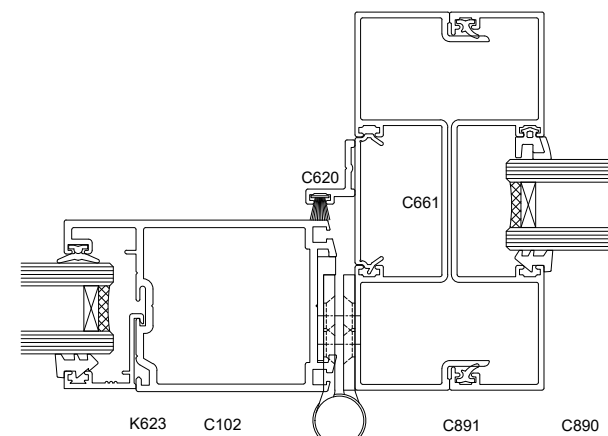
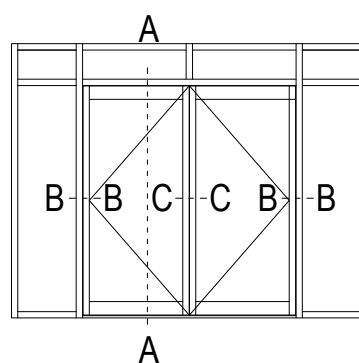
FAIRVIEW SYSTEMS LIMITED SPECIFIERS GUIDE 2014 © TECHNICAL SPECIFICATIONS & PROFILE DETAILS SUBJECT TO CHANGE WITHOUT NOTICE

**FAIRVIEW 50 COMMERCIAL FULL SUITE**

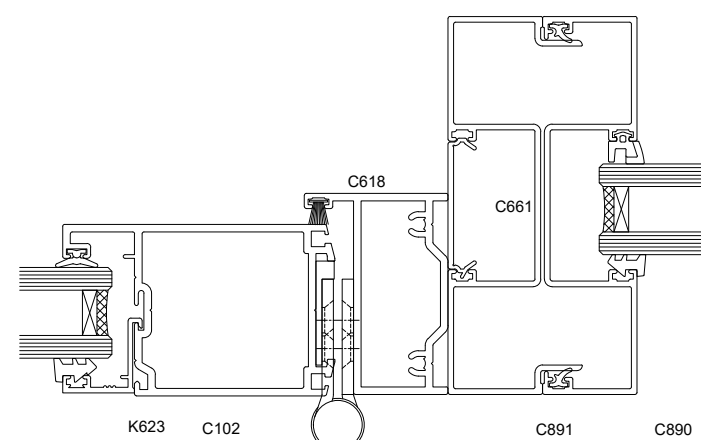
DATE 14.06.2018	SCALE 1:2
REF. CG100.1041	



**SECTION A-A**

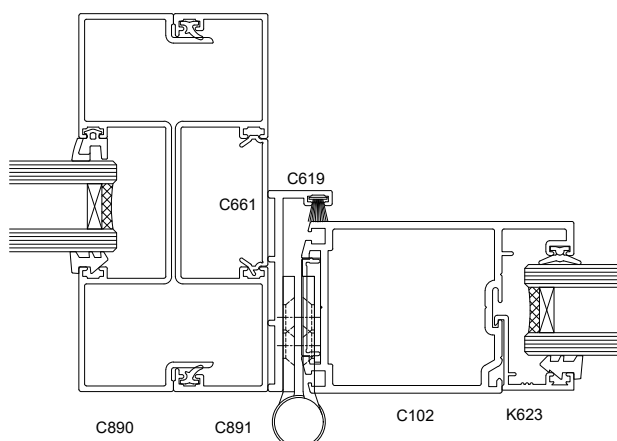


**SECTION B-B**

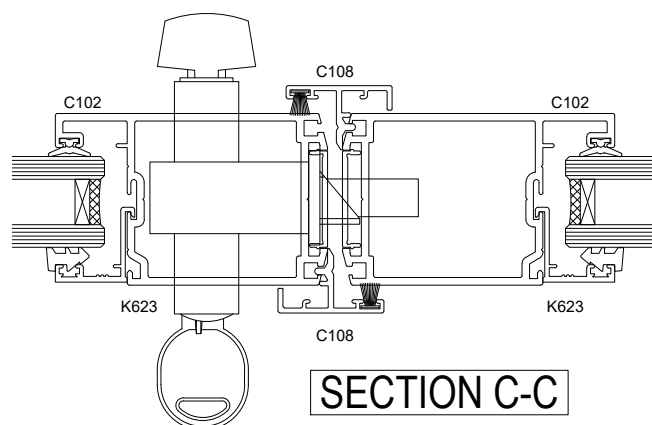


**SECTION B-B**

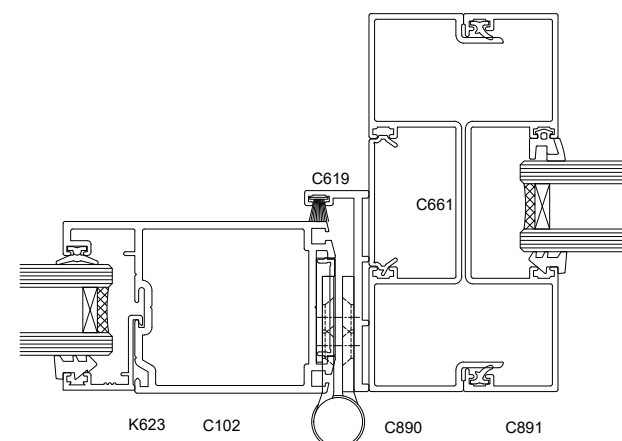
DETAILS SHOWN ARE NON-WEATHERED SILLS. FOR WEATHERED SILL DETAILS PLEASE CONTACT FAIRVIEW SYSTEMS LTD.



**SECTION B-B**



**SECTION C-C**



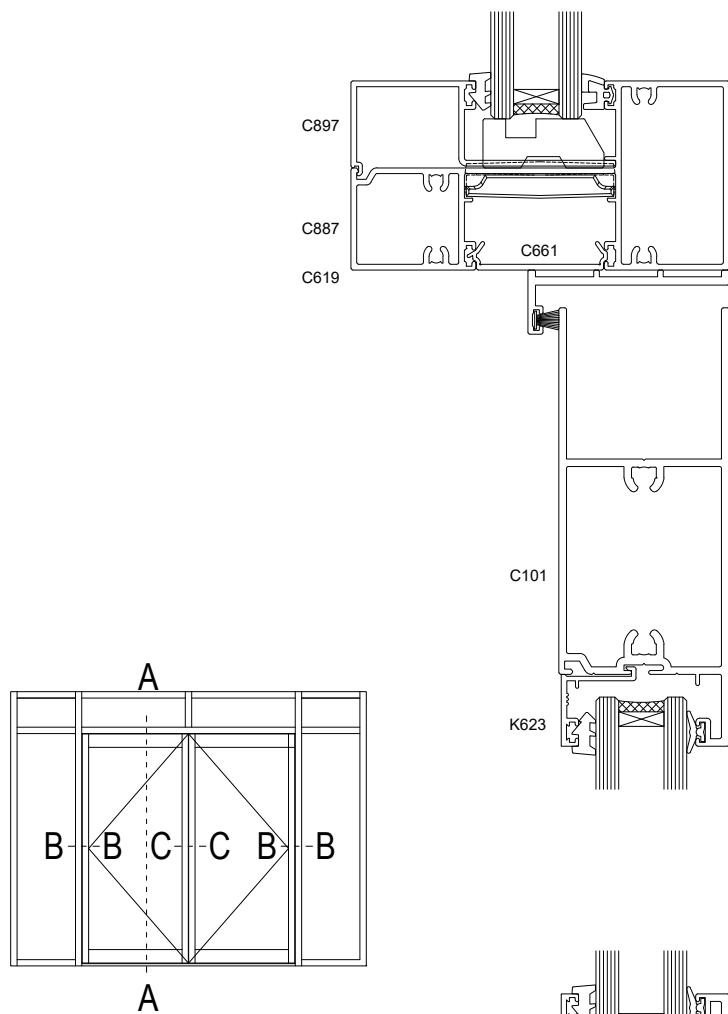
**SECTION B-B**

## 100mm CENTRE GLAZE HINGED DOOR OPEN OUT

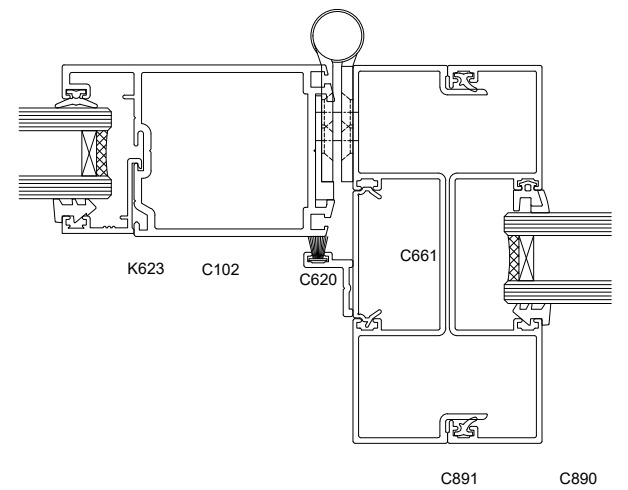
FAIRVIEW SYSTEMS LIMITED SPECIFIERS GUIDE 2014 © TECHNICAL SPECIFICATIONS & PROFILE DETAILS SUBJECT TO CHANGE WITHOUT NOTICE

### FAIRVIEW 50 COMMERCIAL FULL SUITE

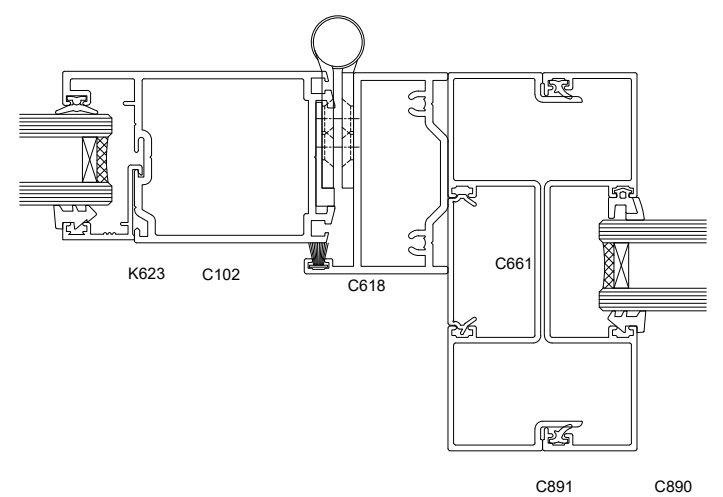
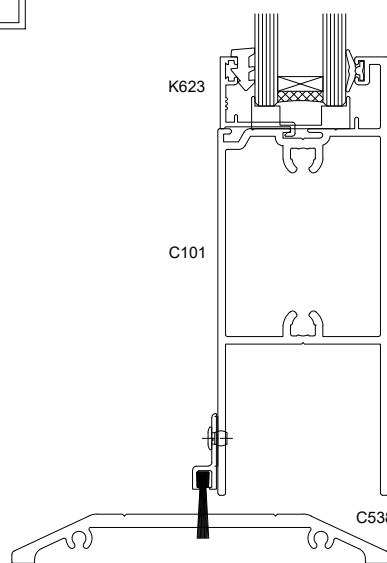
DATE 14.06.2018	SCALE 1:2
REF. CG100.1042	



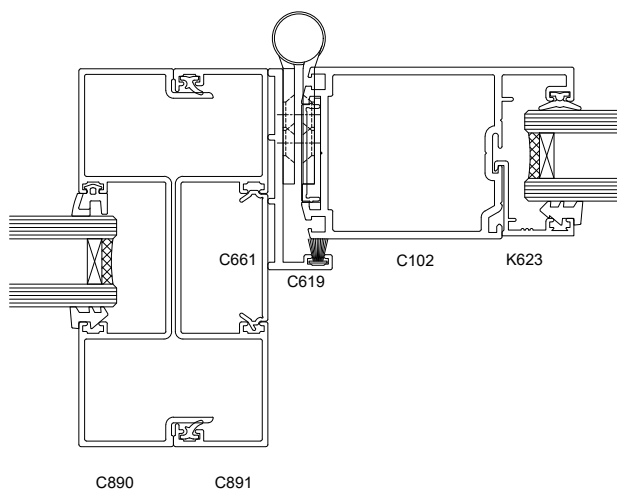
SECTION A-A



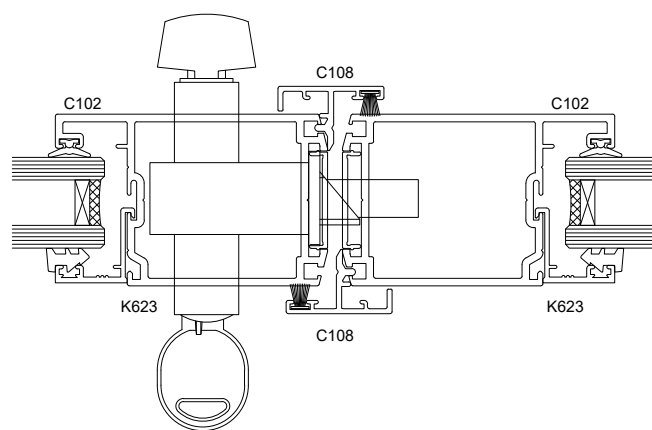
SECTION B-B



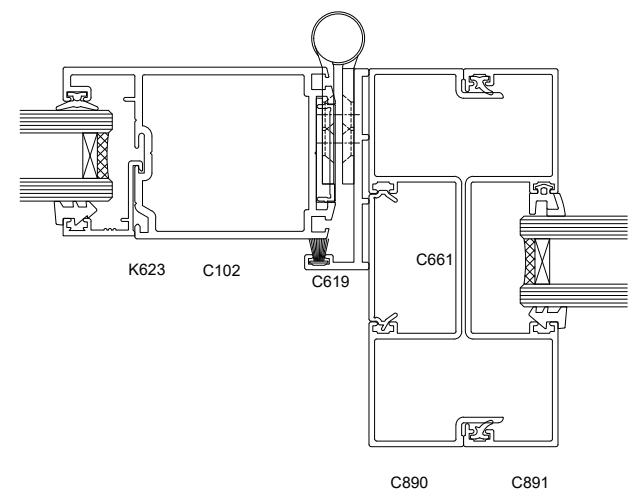
SECTION B-B



SECTION B-B



SECTION C-C



SECTION B-B

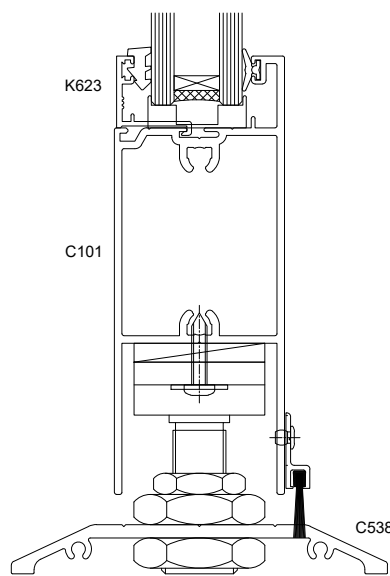
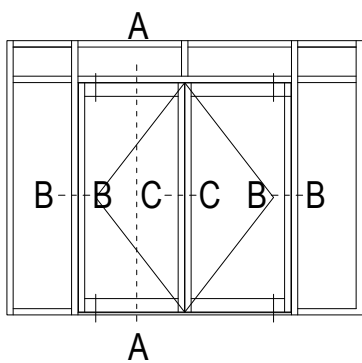
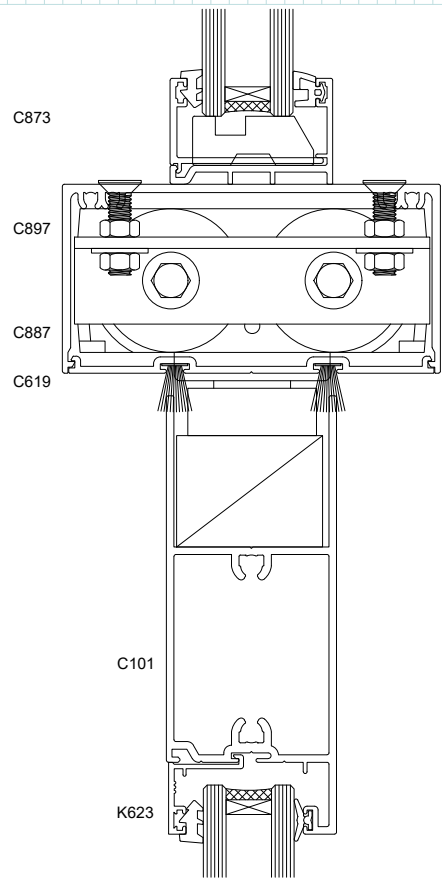
## 100mm CENTRE GLAZE HINGED DOOR OPEN IN

FAIRVIEW SYSTEMS LIMITED SPECIFIERS GUIDE 2014 © TECHNICAL SPECIFICATIONS & PROFILE DETAILS SUBJECT TO CHANGE WITHOUT NOTICE

### FAIRVIEW 50 COMMERCIAL FULL SUITE

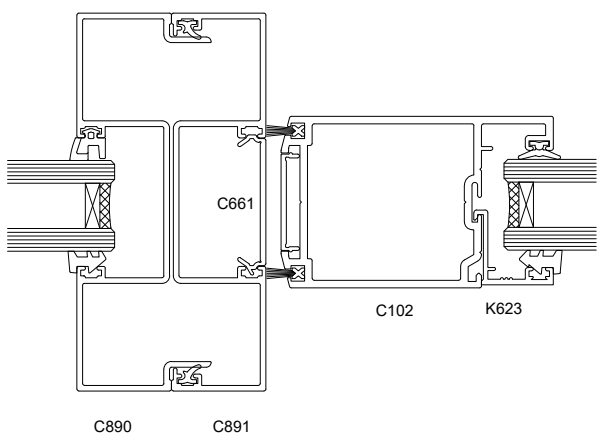
DATE 14.06.2018	SCALE 1:2
REF. CG100.1043	



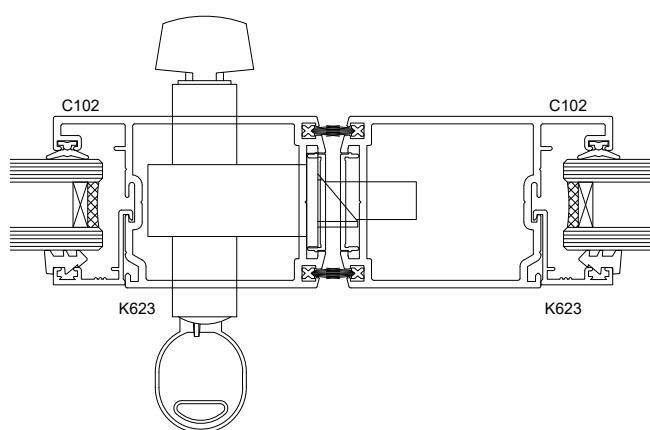


DETAILS SHOWN ARE  
NON-WEATHERED SILLS. FOR  
WEATHERED SILL DETAILS  
PLEASE CONTACT FAIRVIEW  
SYSTEMS LTD.

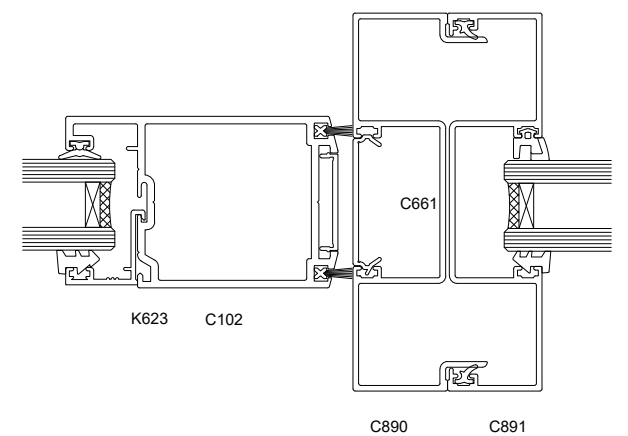
**SECTION A-A**



**SECTION B-B**



**SECTION C-C**



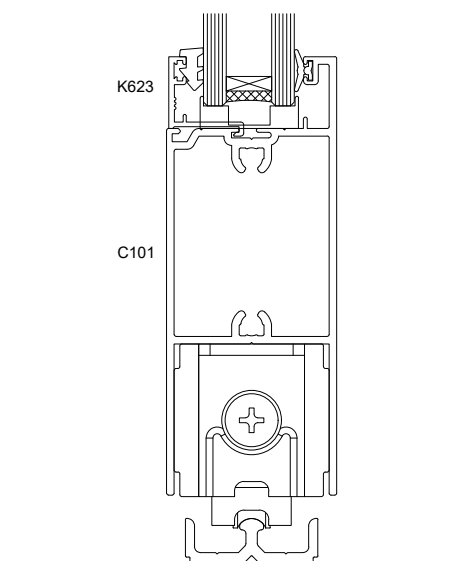
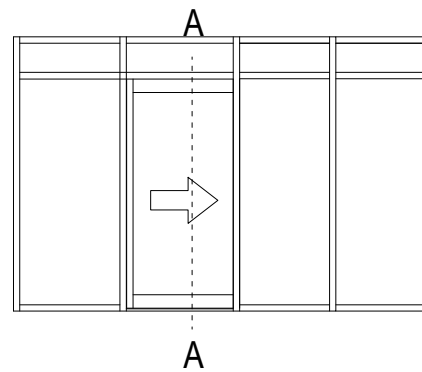
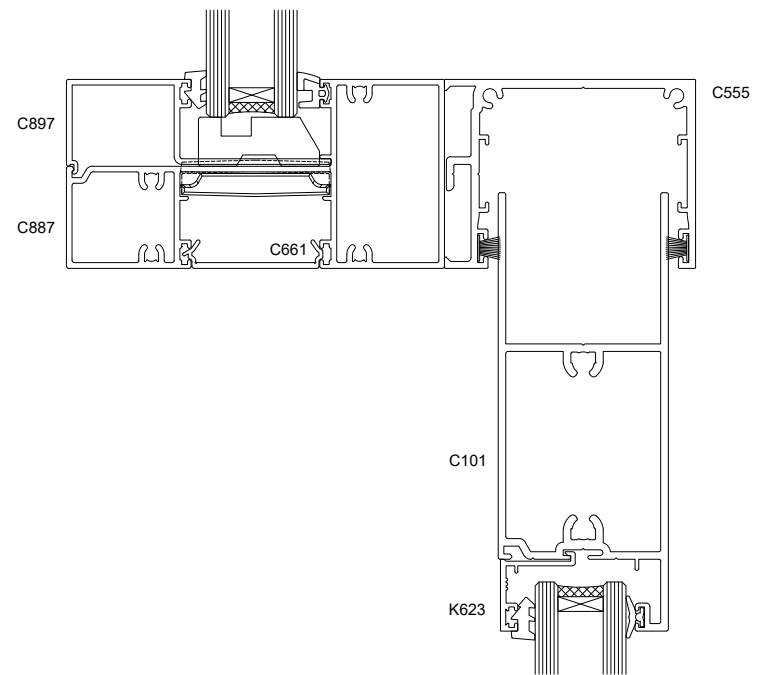
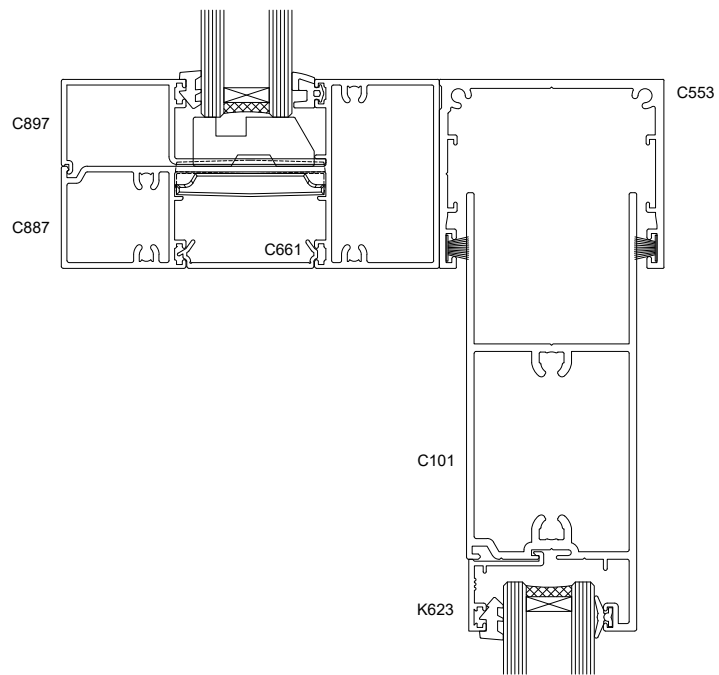
**SECTION B-B**

## 100mm CENTRE GLAZE PIVOT DOOR

FAIRVIEW SYSTEMS LIMITED SPECIFIERS GUIDE 2014 © TECHNICAL SPECIFICATIONS & PROFILE DETAILS SUBJECT TO CHANGE WITHOUT NOTICE

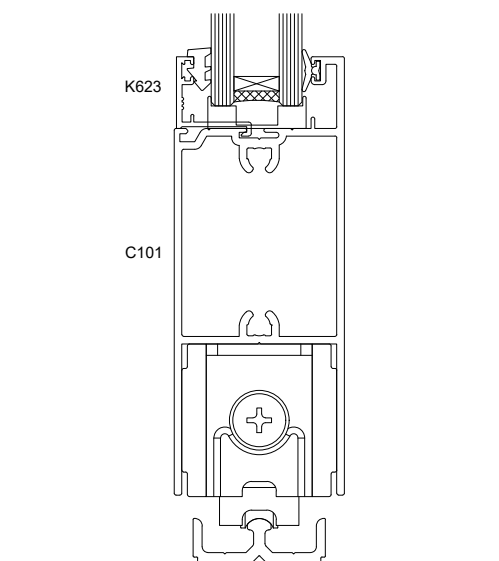
**FAIRVIEW 50 COMMERCIAL FULL SUITE**

DATE 14.06.2018	SCALE 1:2
REF. CG100.1044	



**SECTION A-A**

**NON-INTERLOCKED**



**SECTION A-A**

**INTERLOCKED**

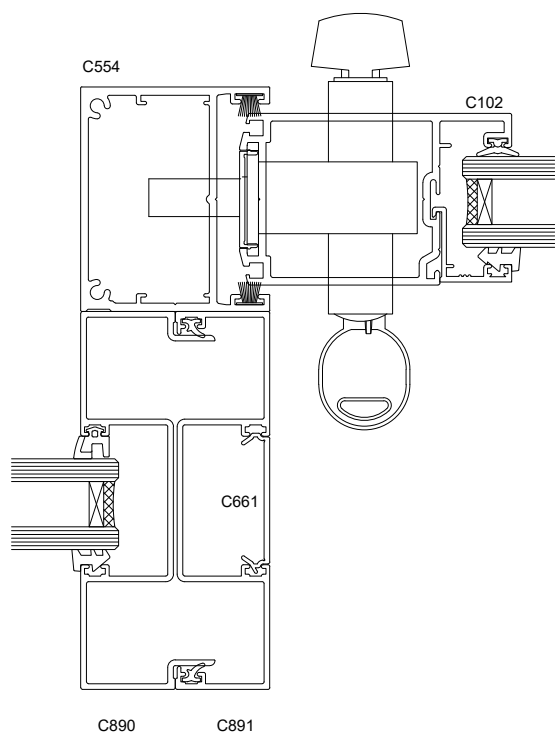
DETAILS SHOWN ARE  
NON-WEATHERED SILLS. FOR  
WEATHERED SILL DETAILS  
PLEASE CONTACT FAIRVIEW  
SYSTEMS LTD.

## 100mm CENTRE GLAZE SLIDING DOOR

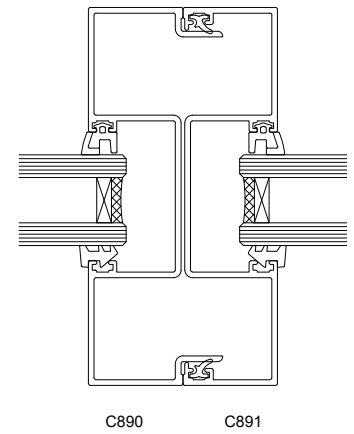
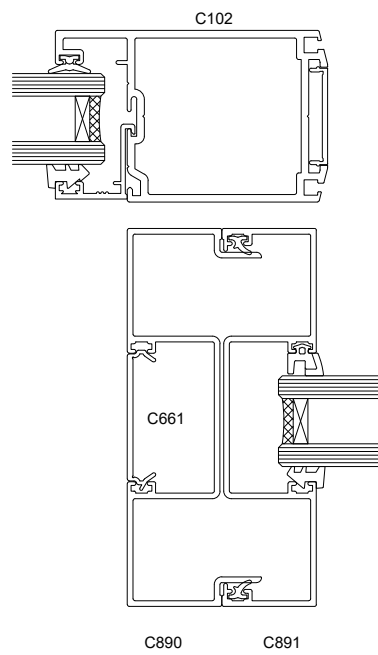
FAIRVIEW SYSTEMS LIMITED SPECIFIERS GUIDE 2014 © TECHNICAL SPECIFICATIONS & PROFILE DETAILS SUBJECT TO CHANGE WITHOUT NOTICE

**FAIRVIEW 50 COMMERCIAL FULL SUITE**

DATE 14.06.2018	SCALE 1:2
REF. CG100.1045	



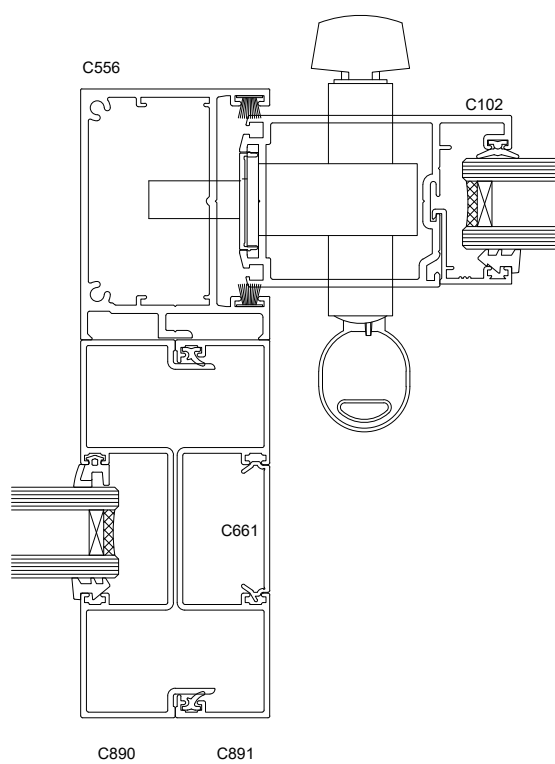
NON-INTERLOCKED



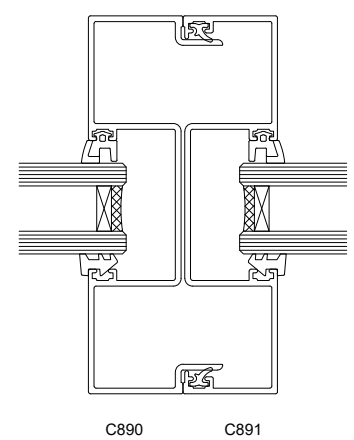
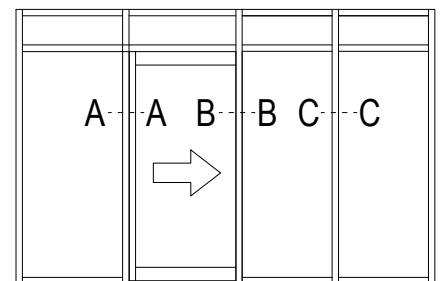
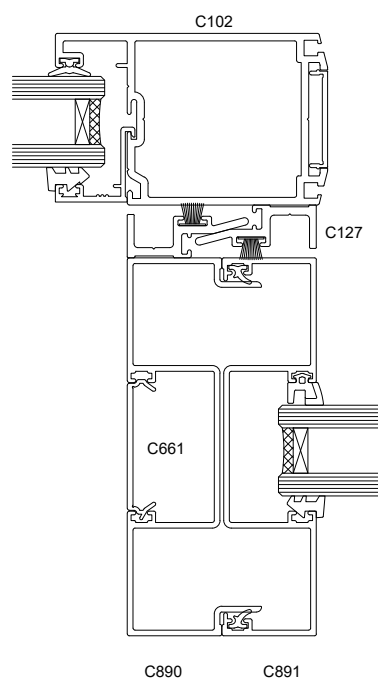
SECTION A-A

SECTION B-B

SECTION C-C



INTERLOCKED



SECTION A-A

SECTION B-B

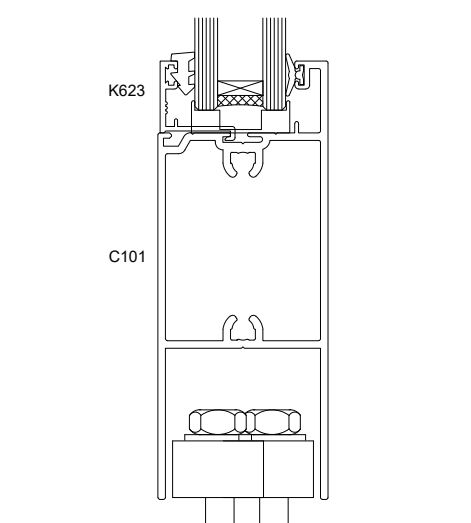
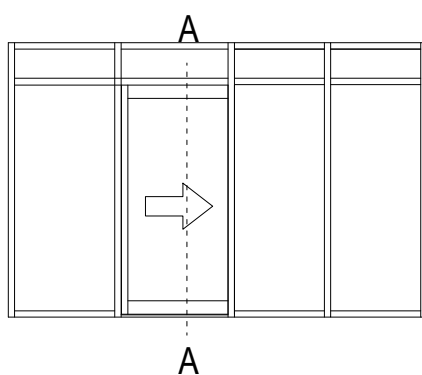
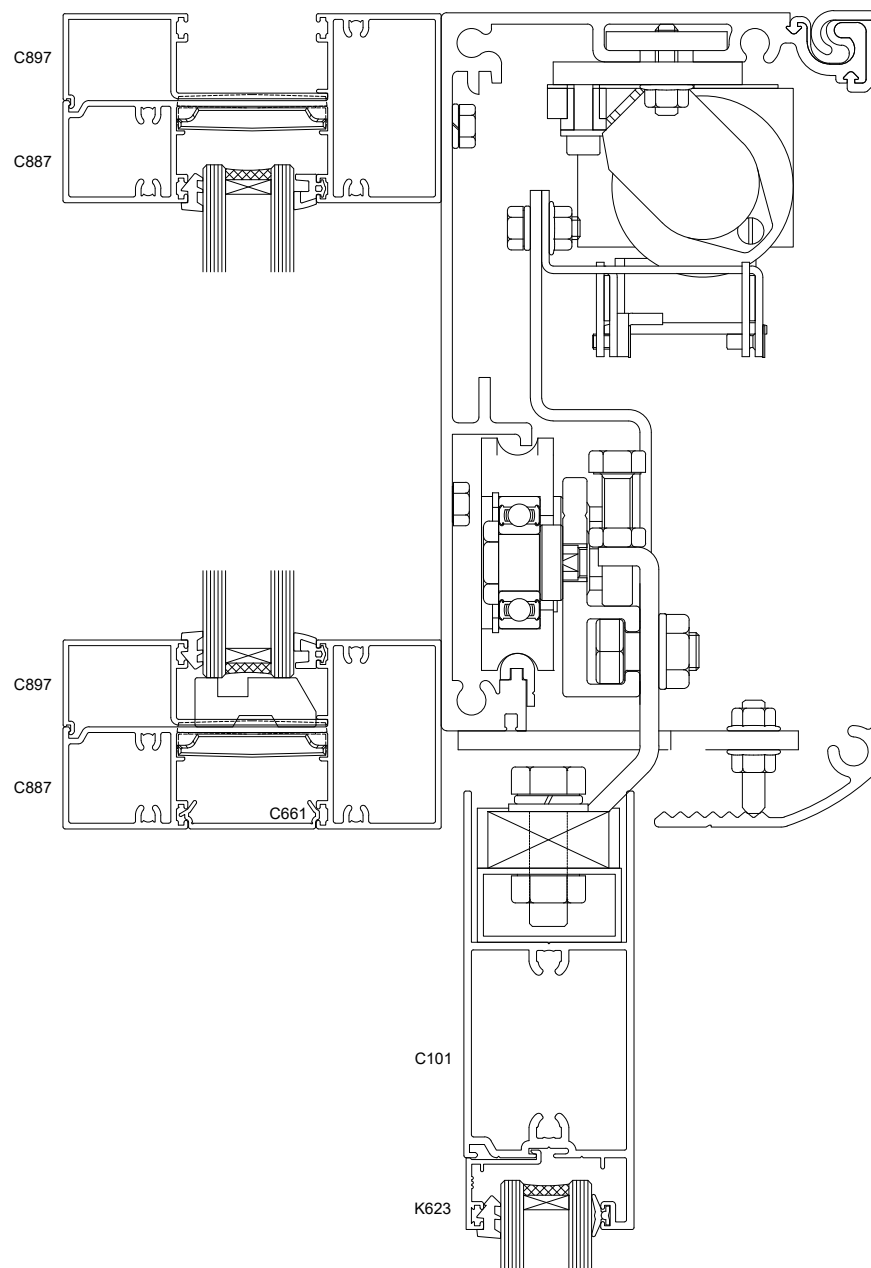
SECTION C-C

## 100mm CENTRE GLAZE SLIDING DOOR

FAIRVIEW SYSTEMS LIMITED SPECIFIERS GUIDE 2014 © TECHNICAL SPECIFICATIONS & PROFILE DETAILS SUBJECT TO CHANGE WITHOUT NOTICE

FAIRVIEW 50 COMMERCIAL FULL SUITE

DATE 14.06.2018	SCALE 1:2
REF. CG100.1046	



SECTION A-A

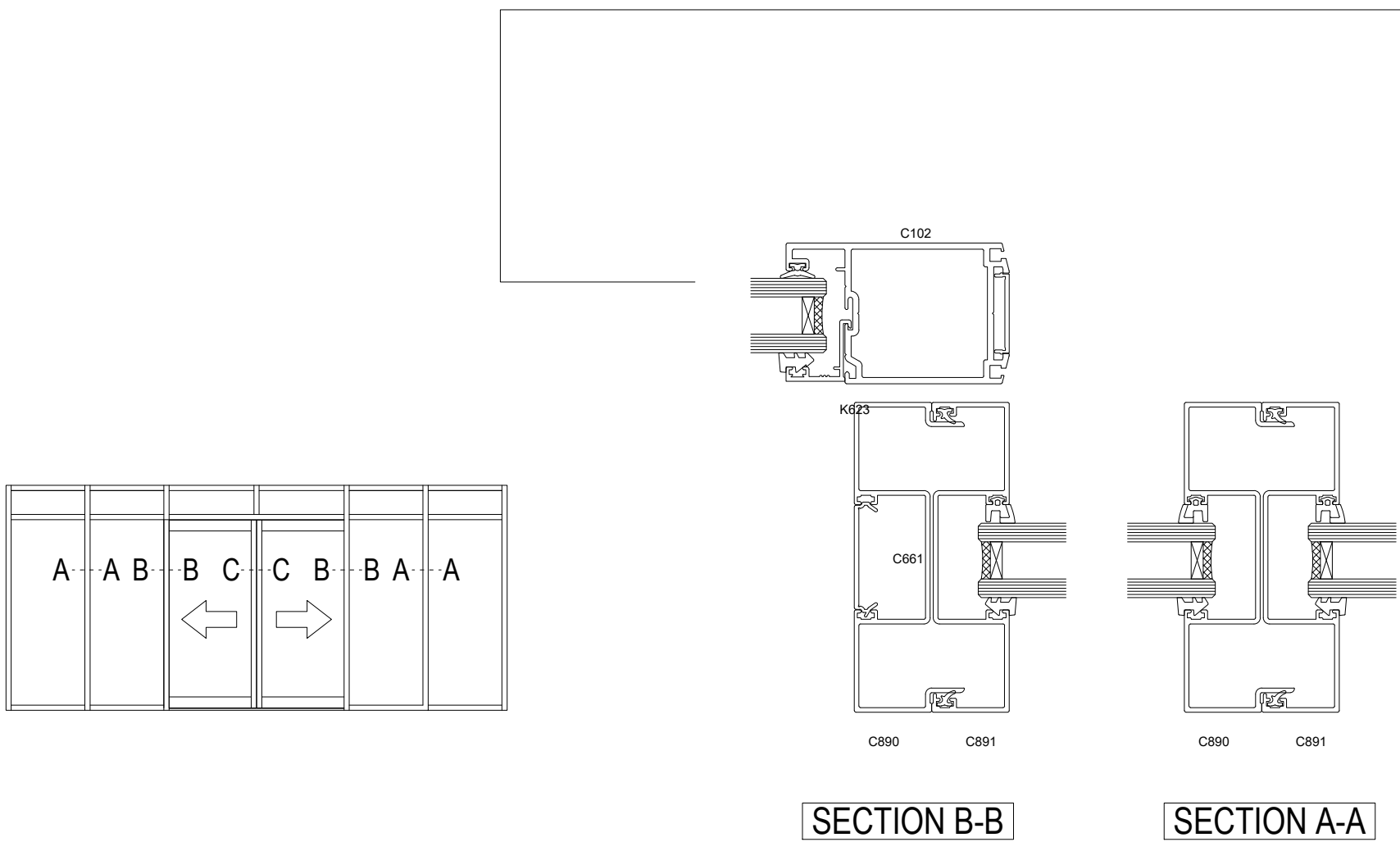
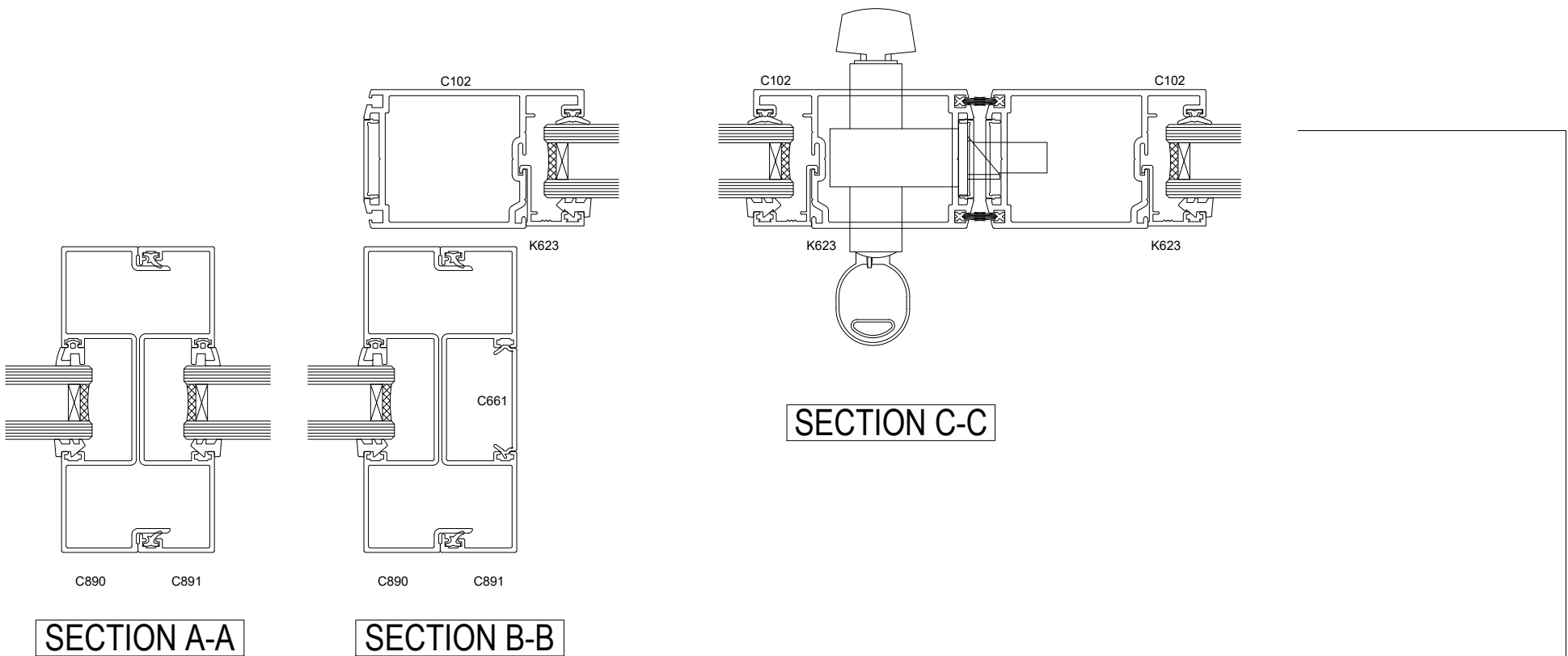
DETAILS SHOWN ARE  
NON-WEATHERED SILLS. FOR  
WEATHERED SILL DETAILS  
PLEASE CONTACT FAIRVIEW  
SYSTEMS LTD.

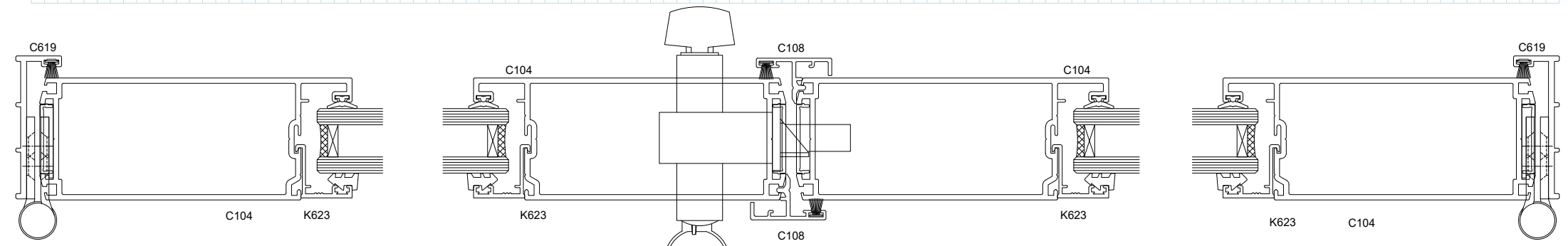
## 100mm CENTRE GLAZE AUTO SLIDING DOOR

FAIRVIEW SYSTEMS LIMITED SPECIFIERS GUIDE 2014 © TECHNICAL SPECIFICATIONS & PROFILE DETAILS SUBJECT TO CHANGE WITHOUT NOTICE

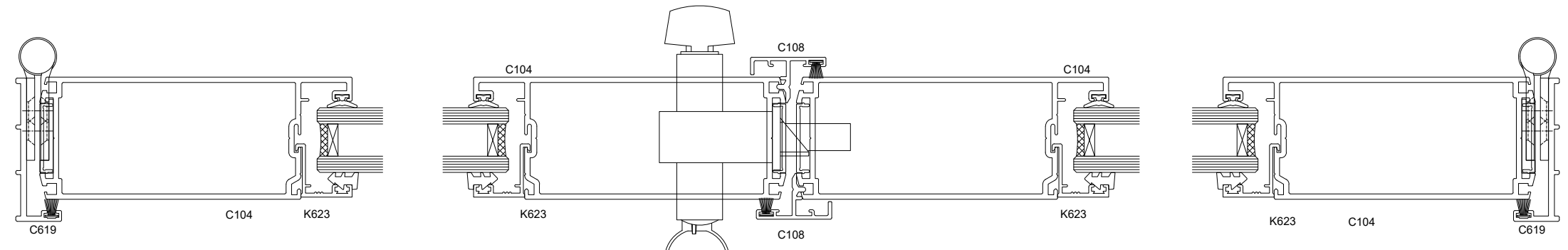
FAIRVIEW 50 COMMERCIAL FULL SUITE

DATE 14.06.2018	SCALE 1:2
REF. CG100.1047	

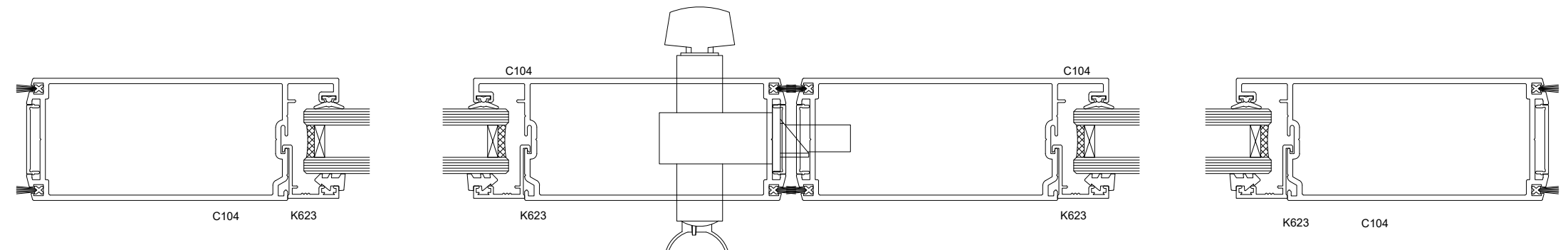




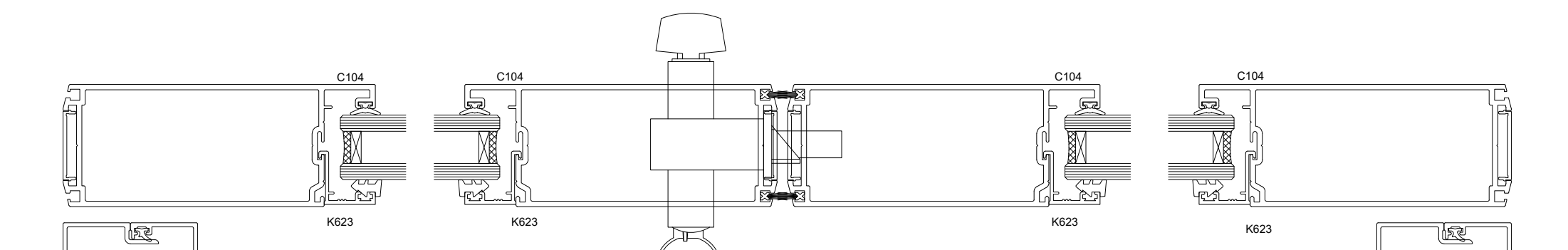
OPEN OUT DOOR PANELS



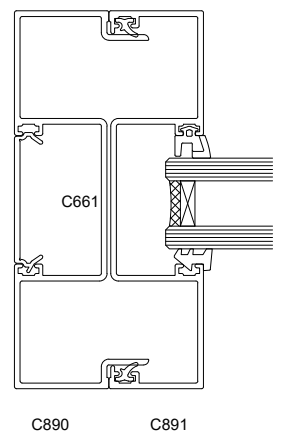
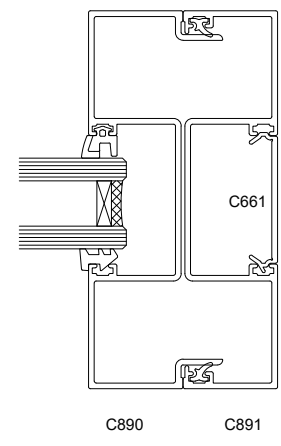
OPEN IN DOOR PANELS



PIVOT DOOR PANELS



SLIDING DOOR PANELS

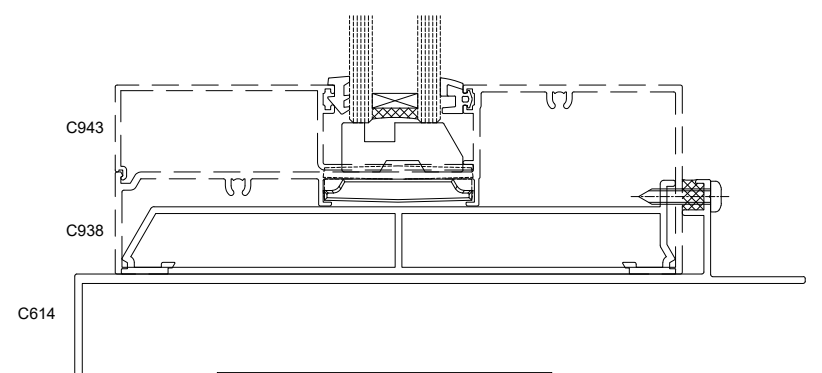
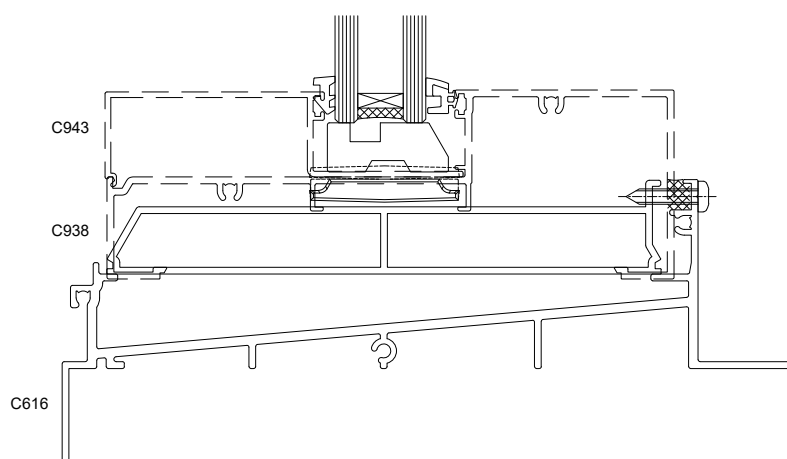
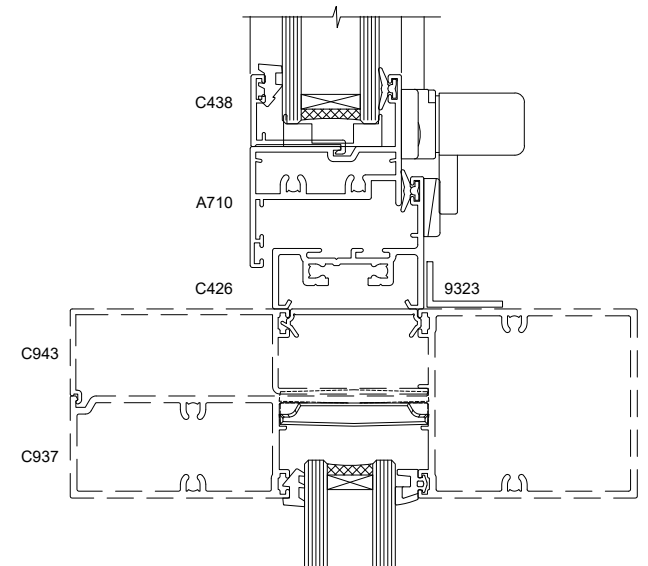
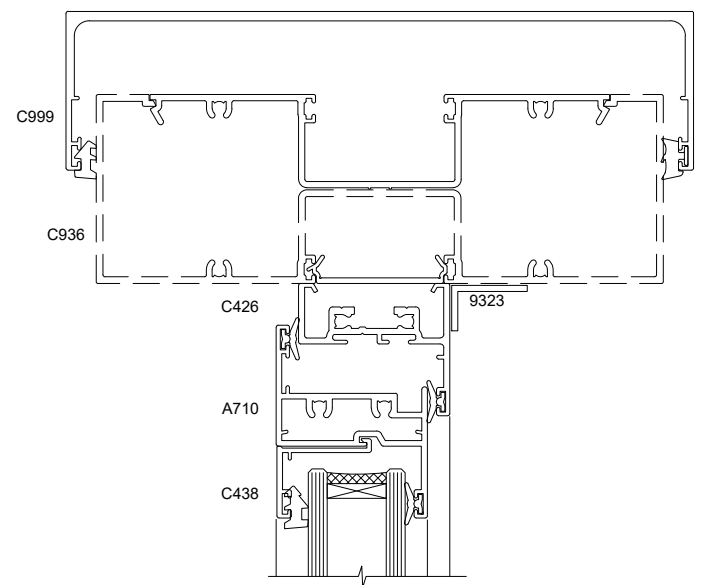
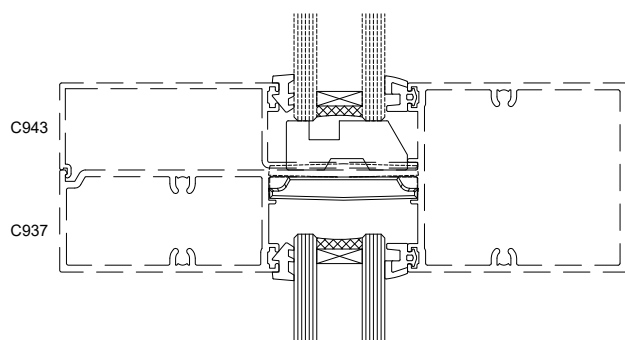
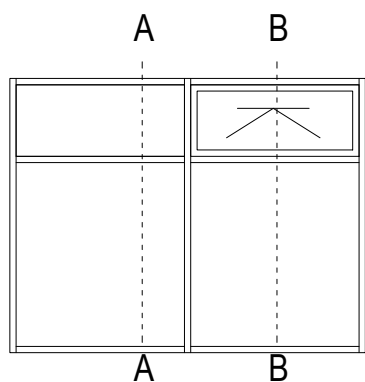
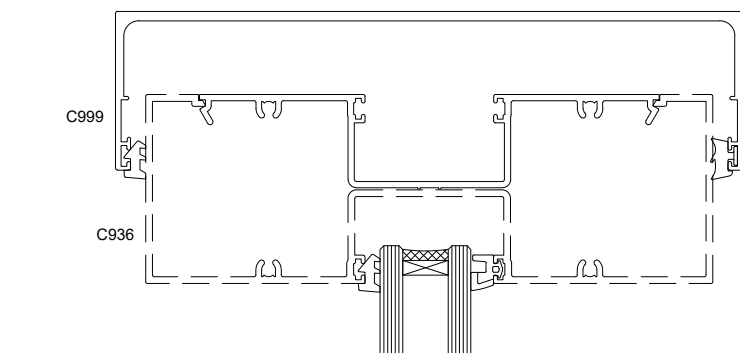


## 100mm CENTRE GLAZE WIDE DOOR STILES

FAIRVIEW SYSTEMS LIMITED SPECIFIERS GUIDE 2014 © TECHNICAL SPECIFICATIONS & PROFILE DETAILS SUBJECT TO CHANGE WITHOUT NOTICE

### FAIRVIEW 50 COMMERCIAL FULL SUITE

DATE 14.06.2018	SCALE 1:2
REF. CG100.1049	



ALTERNATIVE SILL

**SECTION A-A**

**SECTION B-B**

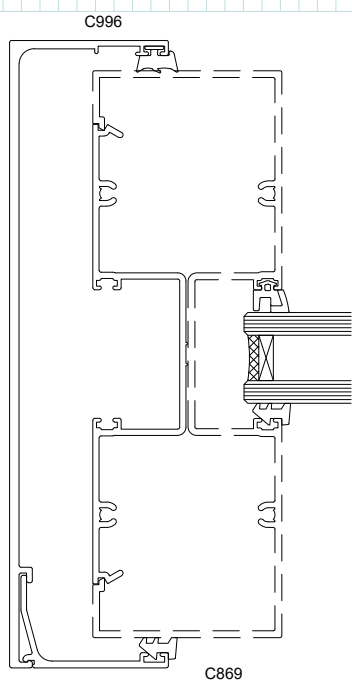
PROFILES SHOWN IN DASHED LINES ARE SUBJECT TO SPECIAL ORDER ONLY, CONSULT FAIRVIEW SYSTEMS FOR INFO

## 150mm CENTRE GLAZE FIXED GLAZING WINDOW

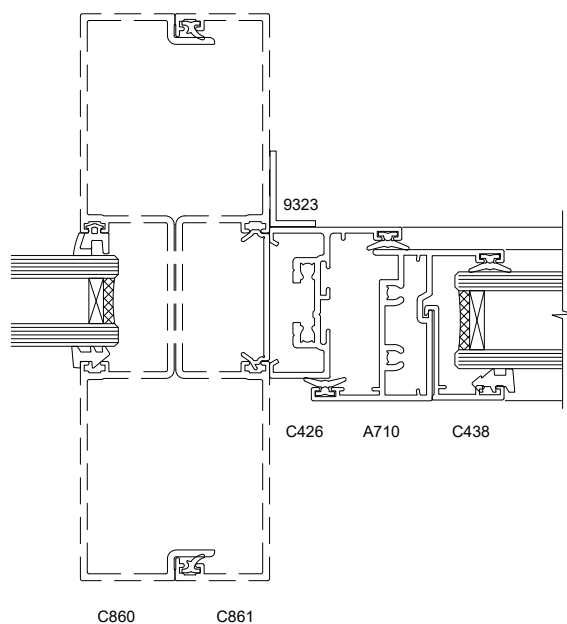
FAIRVIEW SYSTEMS LIMITED SPECIFIERS GUIDE 2014 © TECHNICAL SPECIFICATIONS & PROFILE DETAILS SUBJECT TO CHANGE WITHOUT NOTICE

**FAIRVIEW 50 COMMERCIAL FULL SUITE**

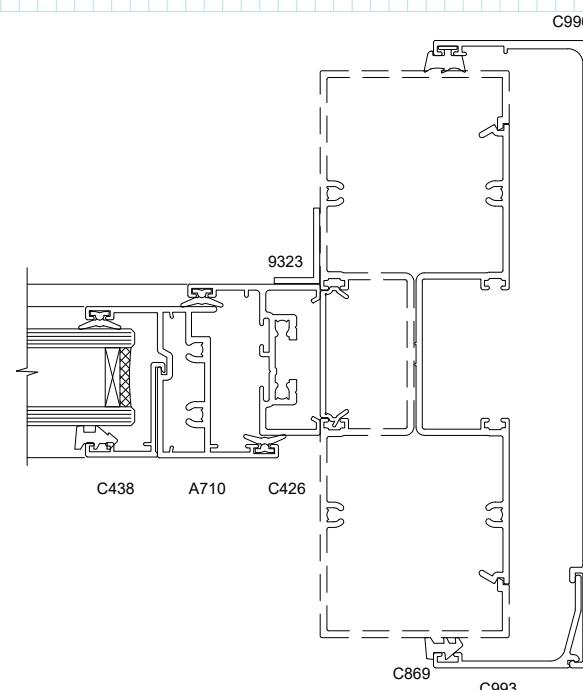
DATE 14.06.2018	SCALE 1:2
REF. CG150.1050	



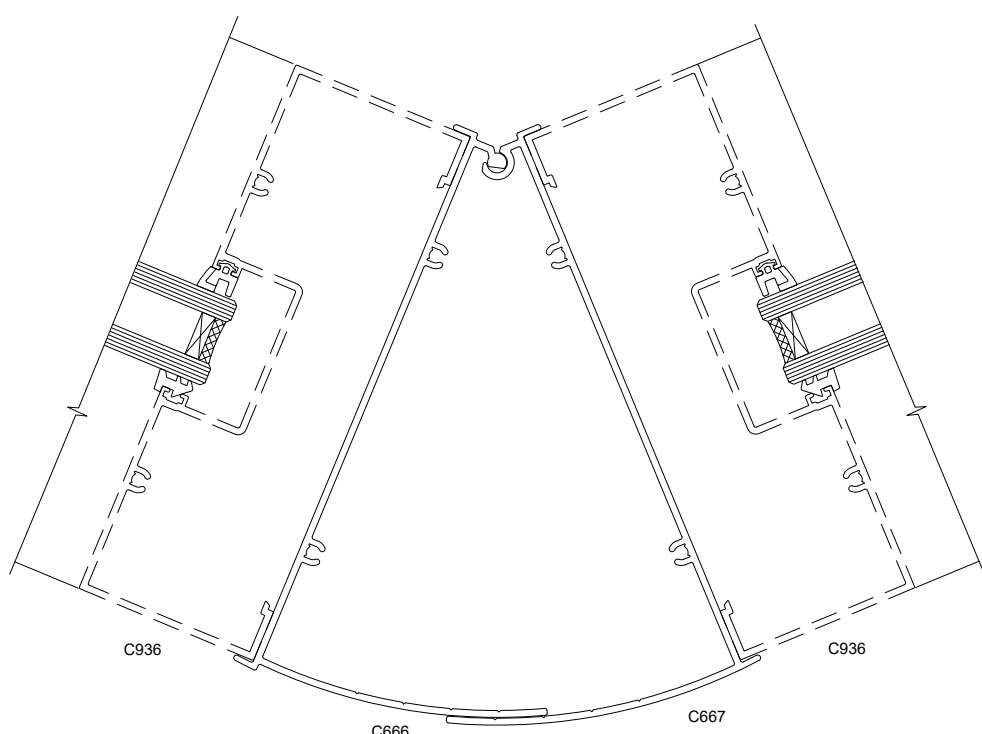
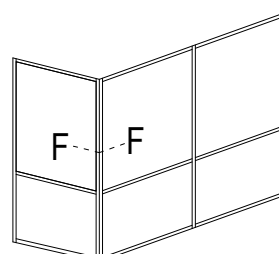
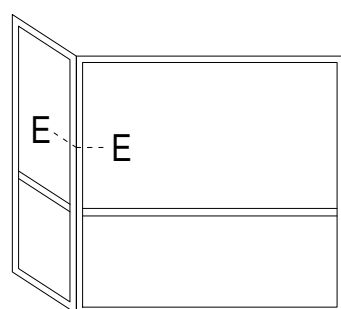
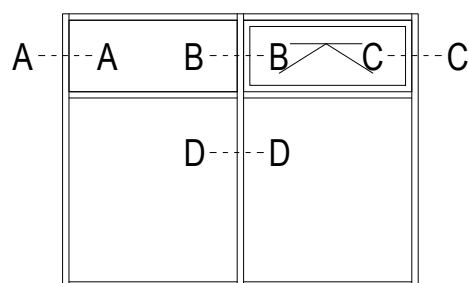
**SECTION A-A**



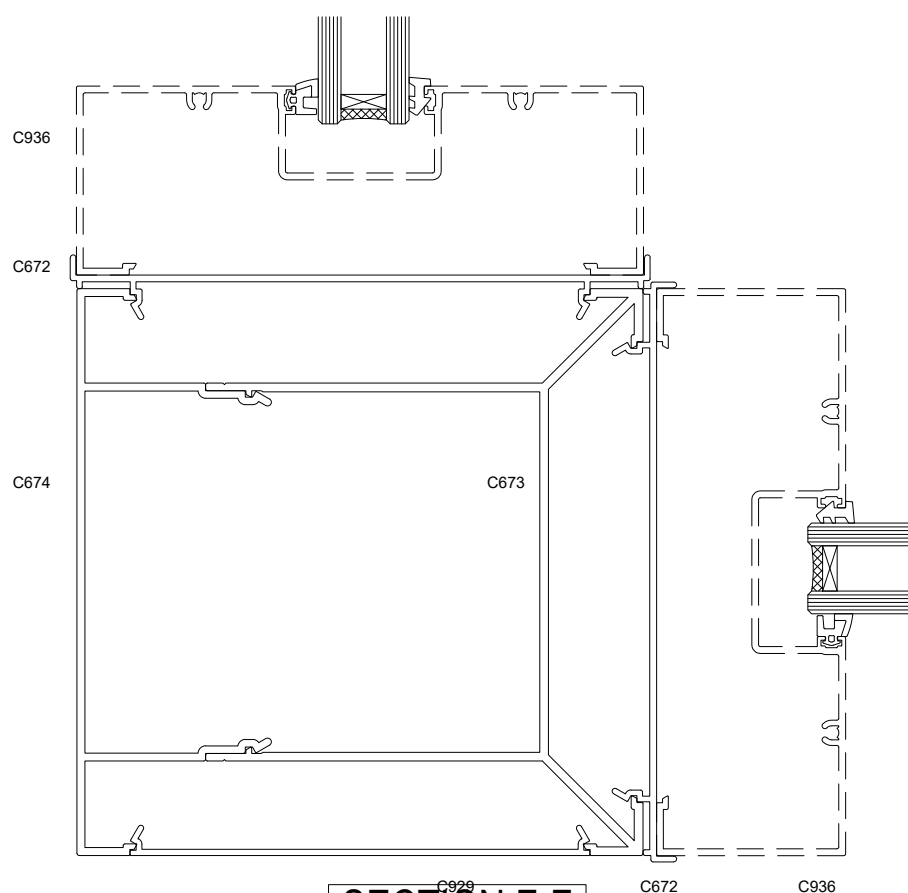
**SECTION B-B**



**SECTION C-C**



**SECTION E-E**



**SECTION F-F**

PROFILES SHOWN IN DASHED LINES ARE SUBJECT TO SPECIAL ORDER ONLY, CONSULT FAIRVIEW SYSTEMS FOR INFO

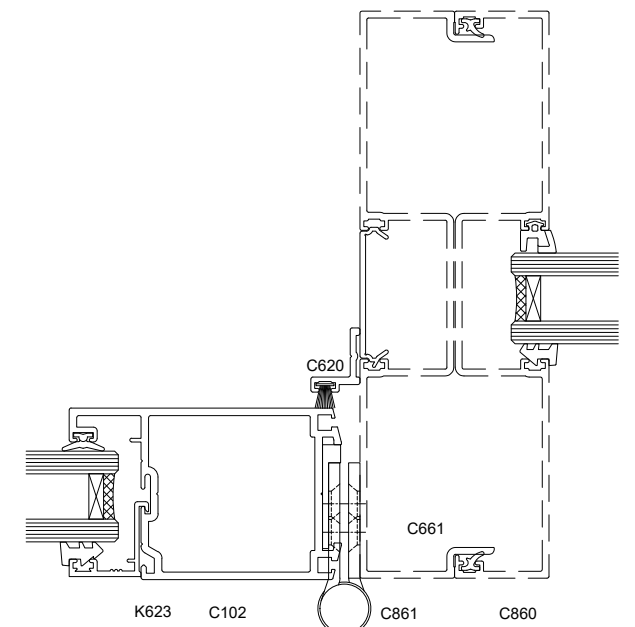
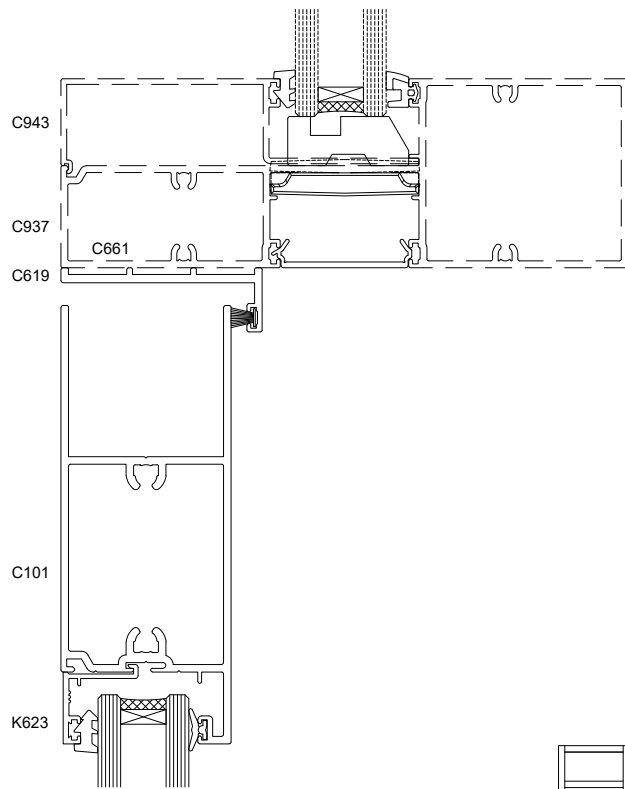
## 150mm CENTRE GLAZE FIXED GLAZING WINDOW

FAIRVIEW SYSTEMS LIMITED SPECIFIERS GUIDE 2014 © TECHNICAL SPECIFICATIONS & PROFILE DETAILS SUBJECT TO CHANGE WITHOUT NOTICE

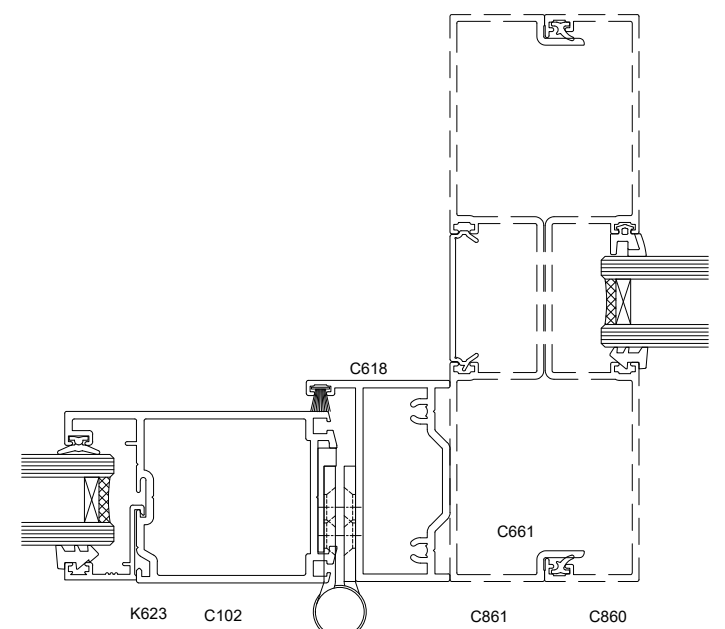
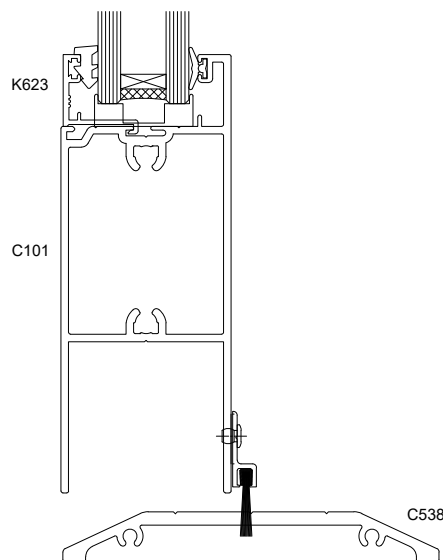
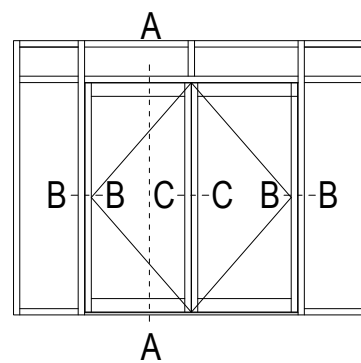
**FAIRVIEW 50 COMMERCIAL FULL SUITE**

DATE 14.06.2018	SCALE 1:2
REF. CG150.1051	





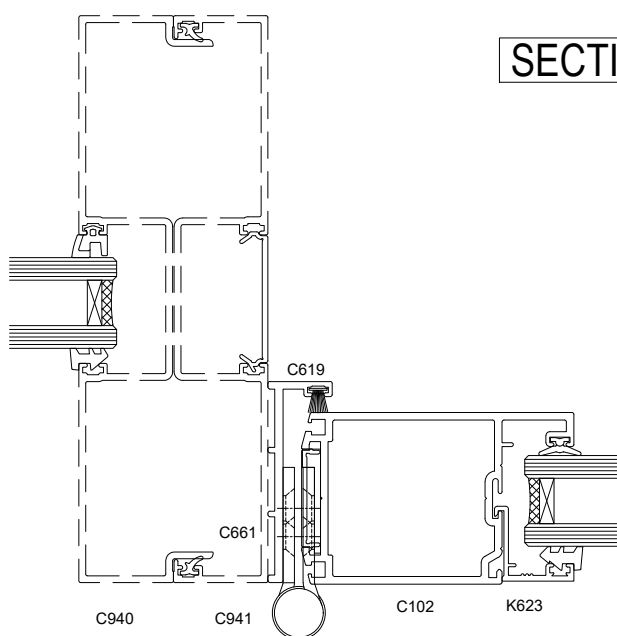
SECTION B-B



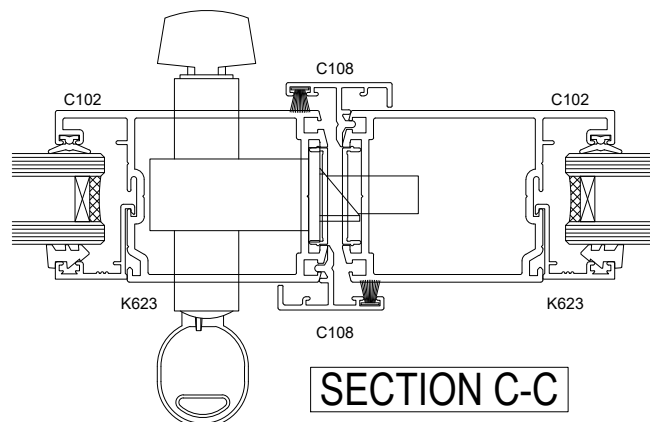
SECTION B-B

DETAILS SHOWN ARE NON-WEATHERED SILLS. FOR WEATHERED SILL DETAILS PLEASE CONTACT FAIRVIEW SYSTEMS LTD.

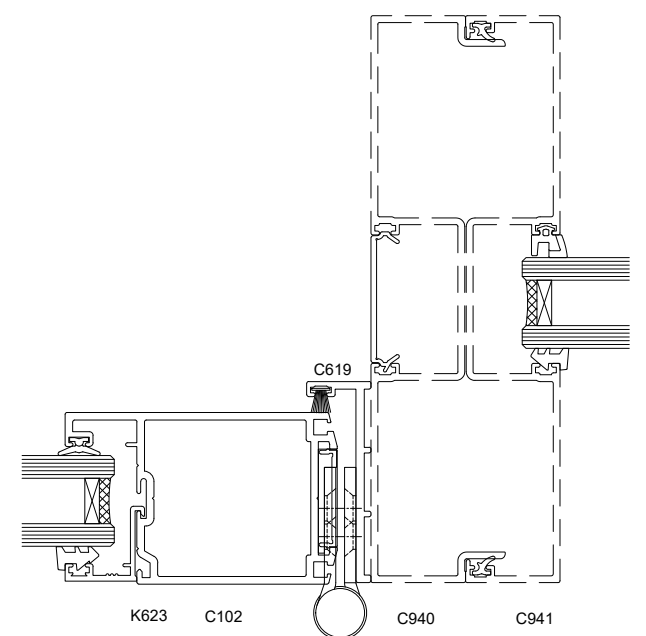
SECTION A-A



SECTION B-B



SECTION C-C



SECTION B-B

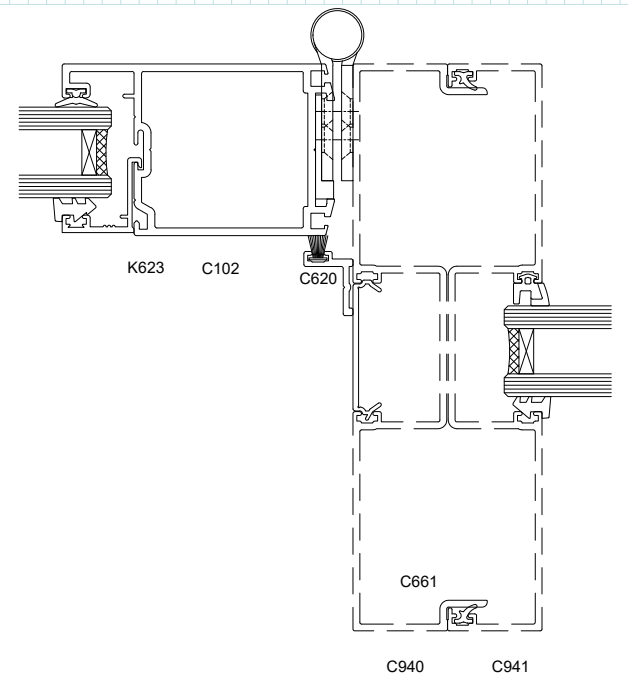
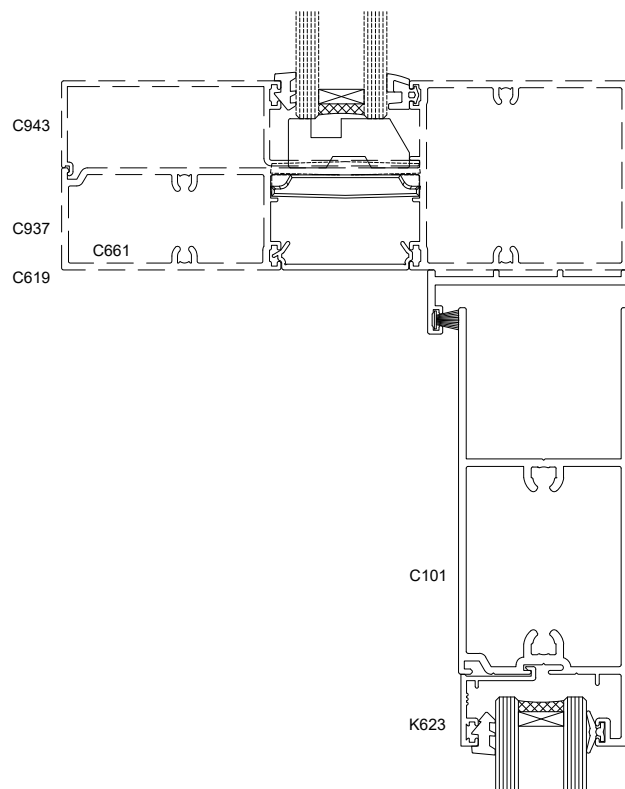
PROFILES SHOWN IN DASHED LINES ARE SUBJECT TO SPECIAL ORDER ONLY, CONSULT FAIRVIEW SYSTEMS FOR INFO

## 150mm CENTRE GLAZE HINGED DOOR OPEN OUT

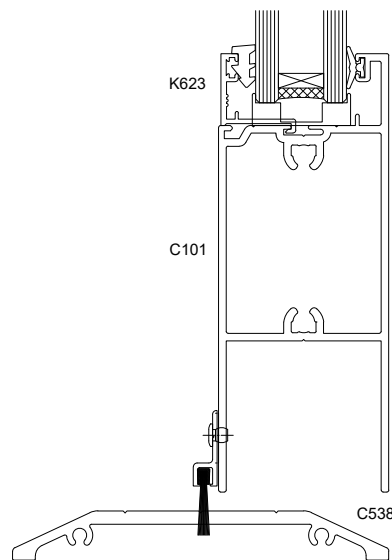
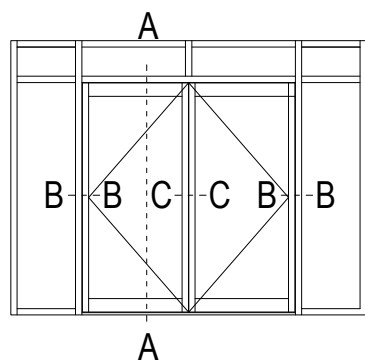
FAIRVIEW SYSTEMS LIMITED SPECIFIERS GUIDE 2014 © TECHNICAL SPECIFICATIONS & PROFILE DETAILS SUBJECT TO CHANGE WITHOUT NOTICE

### FAIRVIEW 50 COMMERCIAL FULL SUITE

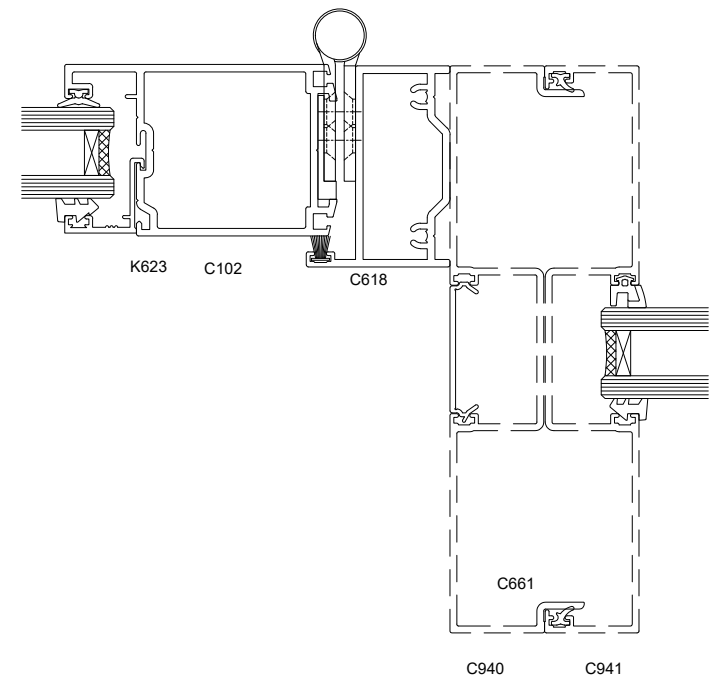
DATE 14.06.2018	SCALE 1:2
REF. CG150.1052	



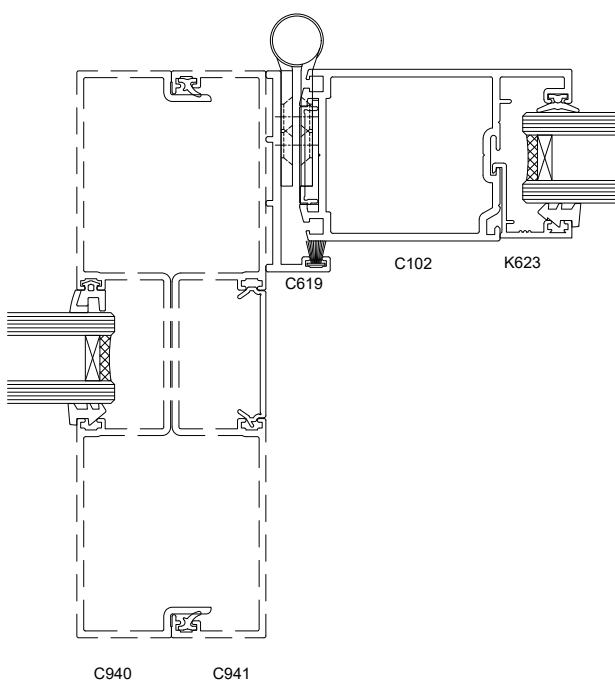
**SECTION B-B**



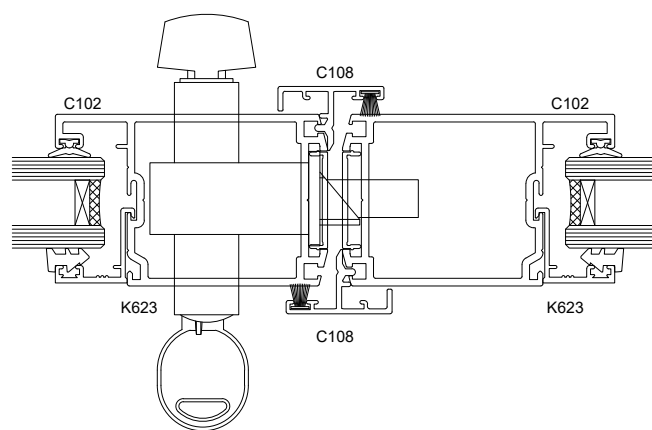
**SECTION A-A**



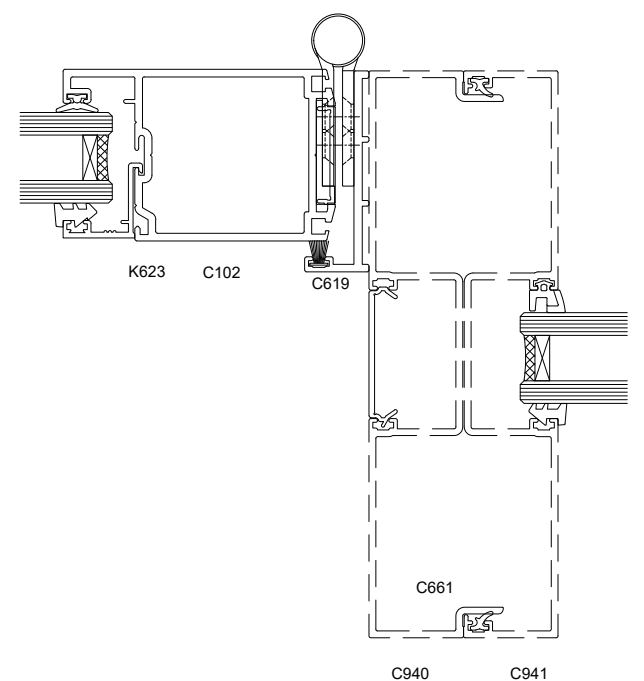
**SECTION B-B**



**SECTION B-B**



**SECTION C-C**



**SECTION B-B**

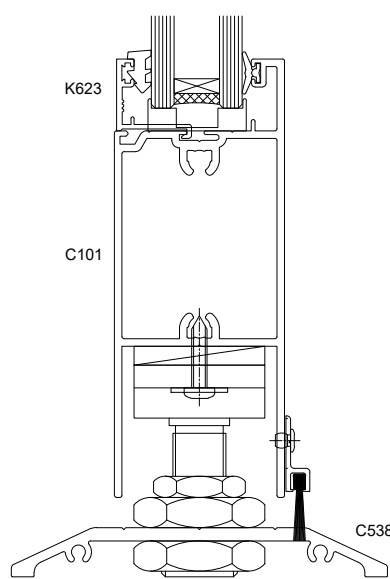
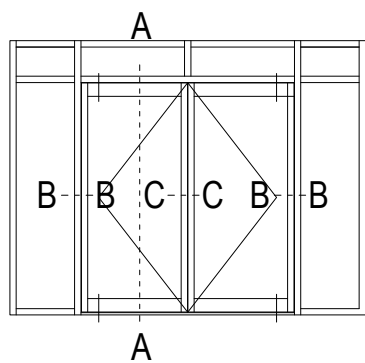
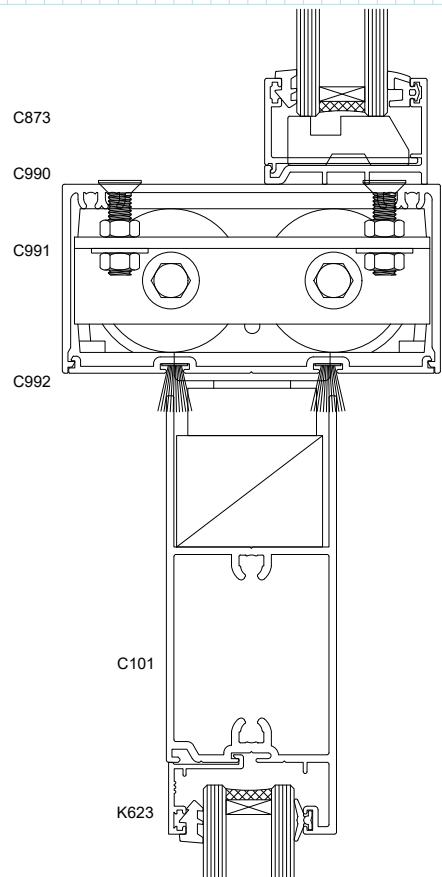
PROFILES SHOWN IN DASHED LINES ARE SUBJECT TO SPECIAL ORDER ONLY, CONSULT FAIRVIEW SYSTEMS FOR INFO

## 150mm CENTRE GLAZE HINGED DOOR OPEN IN

FAIRVIEW SYSTEMS LIMITED SPECIFIERS GUIDE 2014 © TECHNICAL SPECIFICATIONS & PROFILE DETAILS SUBJECT TO CHANGE WITHOUT NOTICE

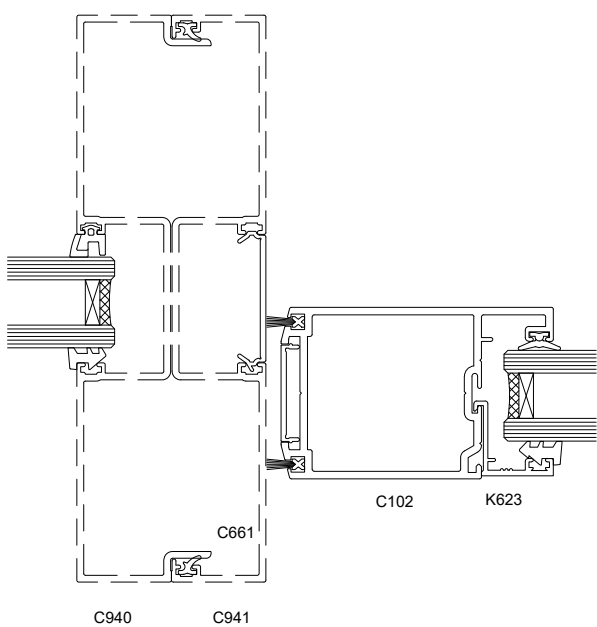
### FAIRVIEW 50 COMMERCIAL FULL SUITE

DATE 14.06.2018	SCALE 1:2
REF. CG150.1053	

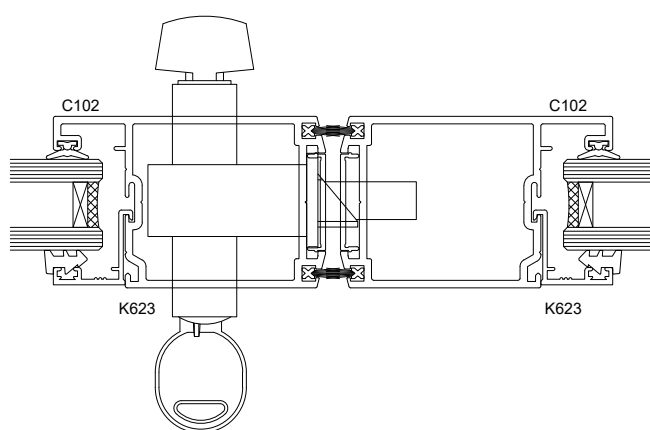


**SECTION A-A**

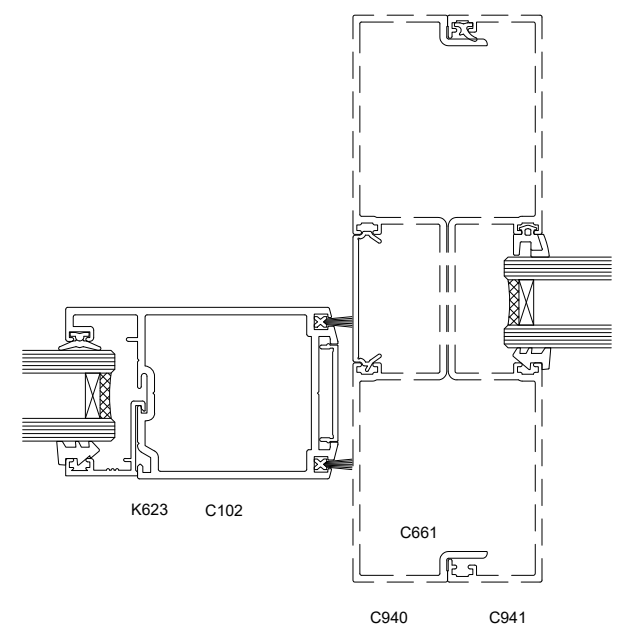
DETAILS SHOWN ARE NON-WEATHERED SILLS. FOR WEATHERED SILL DETAILS PLEASE CONTACT FAIRVIEW SYSTEMS LTD.



**SECTION B-B**



**SECTION C-C**



**SECTION B-B**


PROFILES SHOWN IN DASHED LINES ARE SUBJECT TO SPECIAL ORDER ONLY, CONSULT FAIRVIEW SYSTEMS FOR INFO

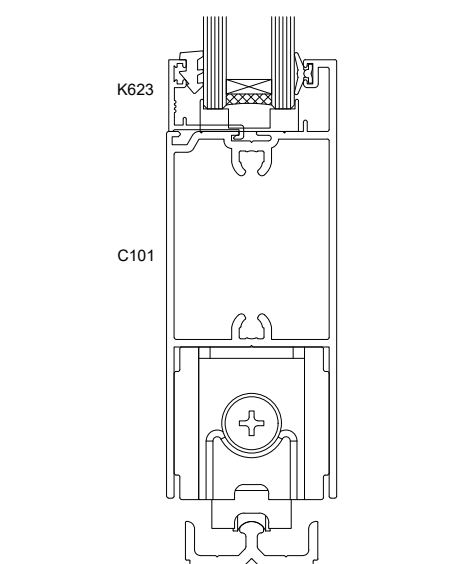
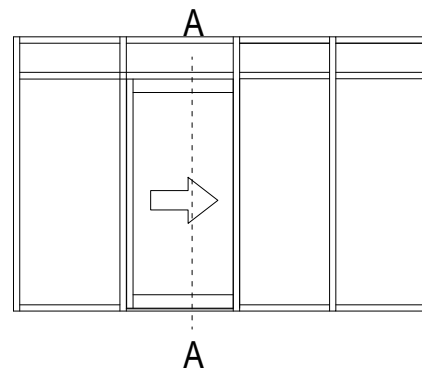
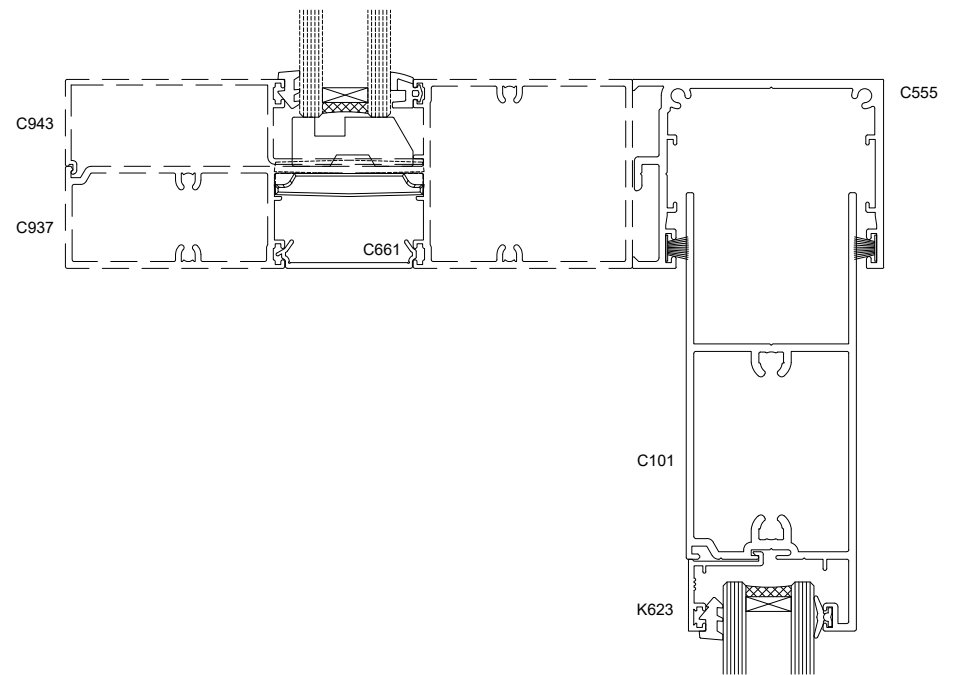
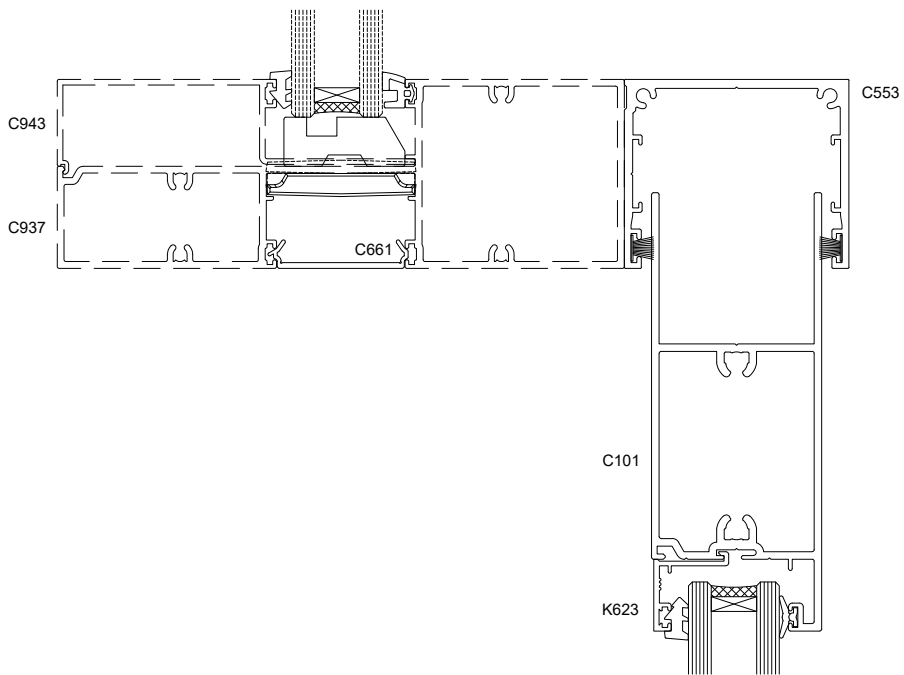
## 150mm CENTRE GLAZE PIVOT DOOR

FAIRVIEW SYSTEMS LIMITED SPECIFIERS GUIDE 2014 © TECHNICAL SPECIFICATIONS & PROFILE DETAILS SUBJECT TO CHANGE WITHOUT NOTICE

**FAIRVIEW 50 COMMERCIAL FULL SUITE**

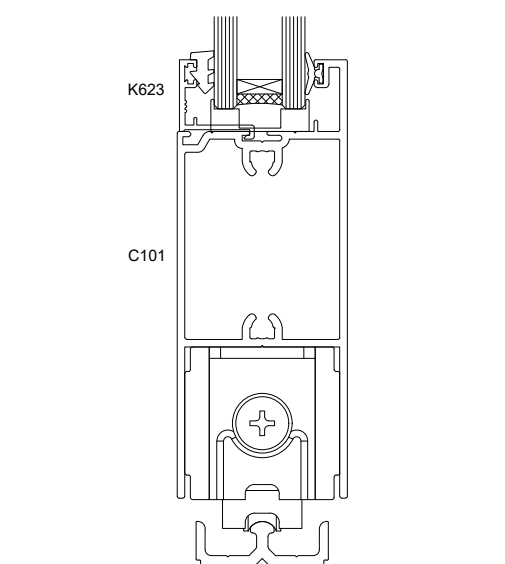
DATE 14.06.2018	SCALE 1:2
REF. CG150.1054	


 PROFILES SHOWN IN DASHED LINES ARE  
 SUBJECT TO SPECIAL ORDER ONLY,  
 CONSULT FAIRVIEW SYSTEMS FOR INFO



**SECTION A-A**

**NON-INTERLOCKED**



**SECTION A-A**

**INTERLOCKED**

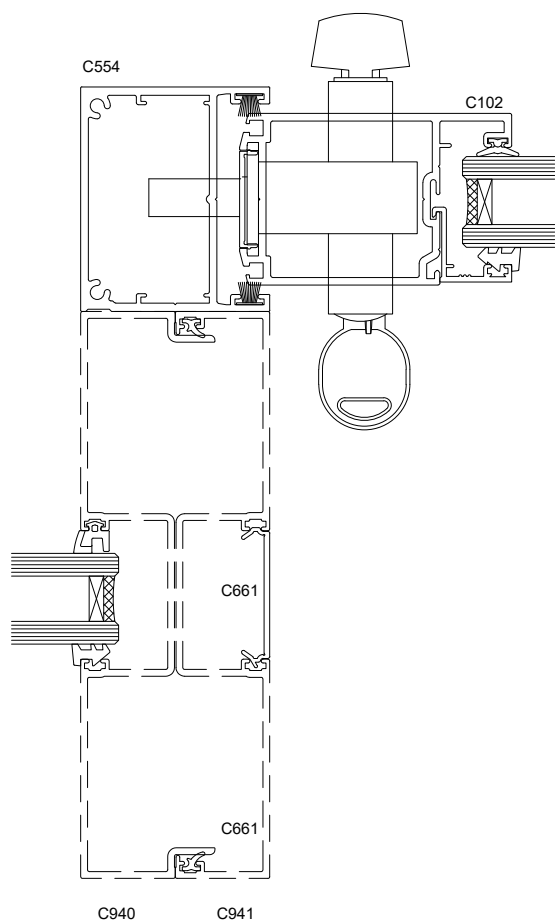
DETAILS SHOWN ARE  
 NON-WEATHERED SILLS. FOR  
 WEATHERED SILL DETAILS  
 PLEASE CONTACT FAIRVIEW  
 SYSTEMS LTD.

## 150mm CENTRE GLAZE SLIDING DOOR

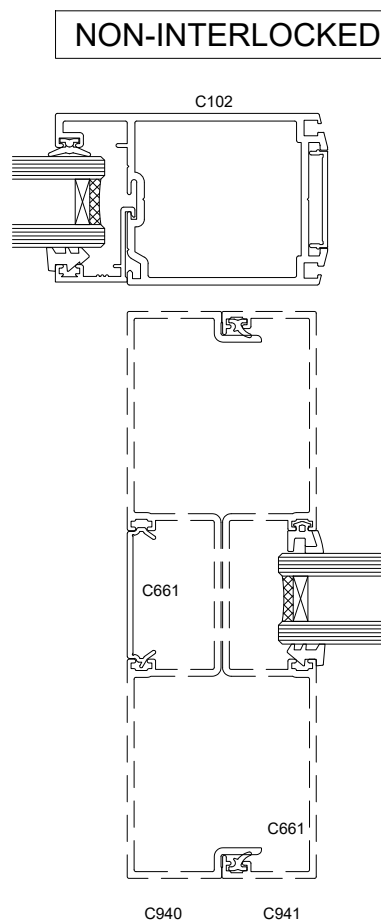
FAIRVIEW SYSTEMS LIMITED SPECIFIERS GUIDE 2014 © TECHNICAL SPECIFICATIONS & PROFILE DETAILS SUBJECT TO CHANGE WITHOUT NOTICE

**FAIRVIEW 50 COMMERCIAL FULL SUITE**

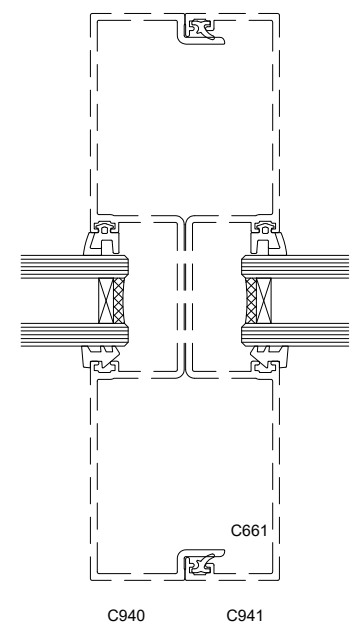
DATE 14.06.2018	SCALE 1:2
REF. CG150.1055	



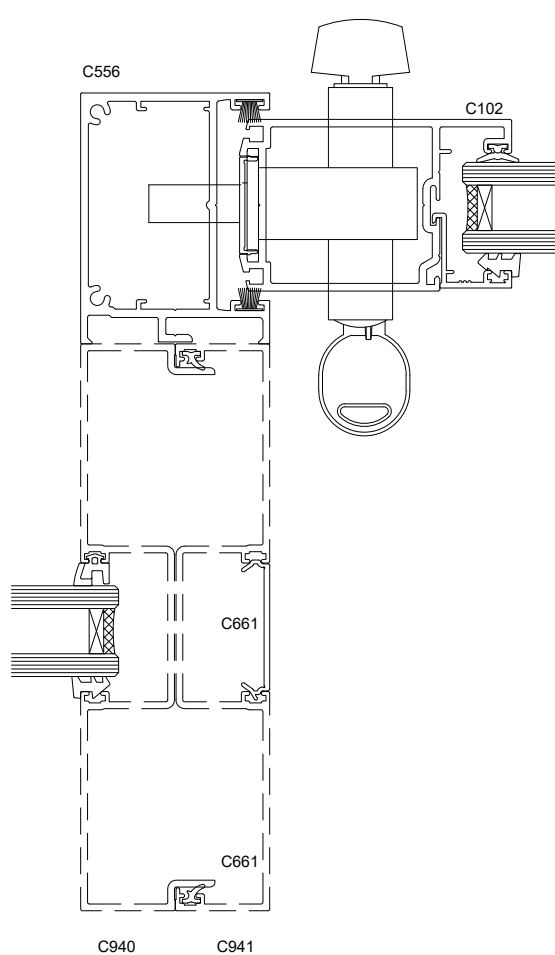
SECTION A-A



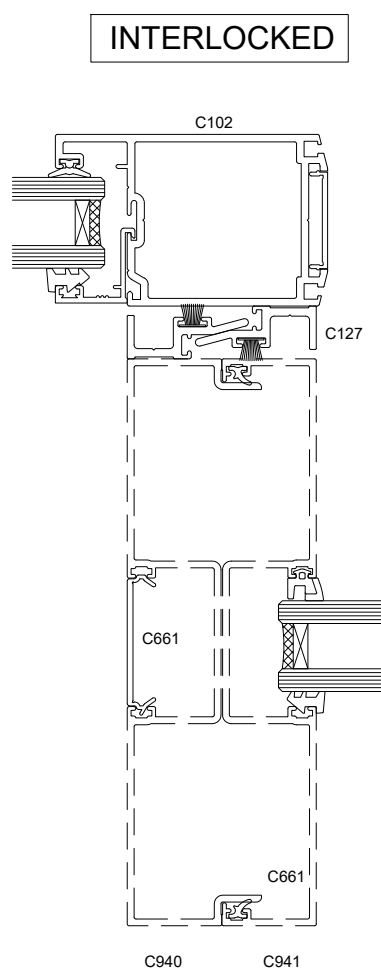
SECTION B-B



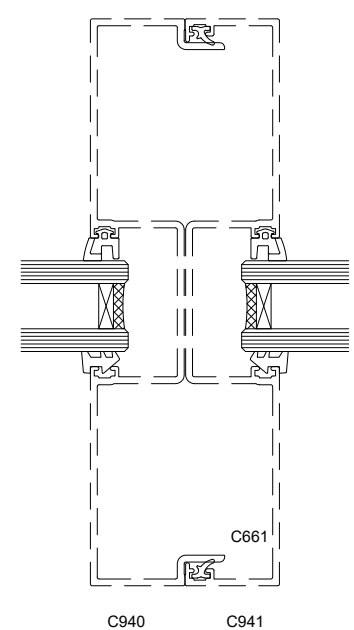
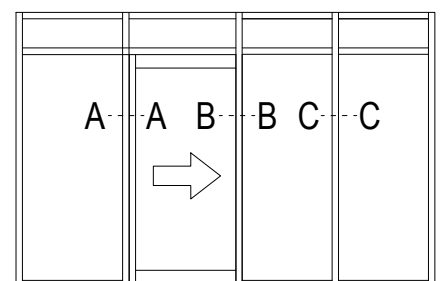
SECTION C-C



SECTION A-A



SECTION B-B



SECTION C-C

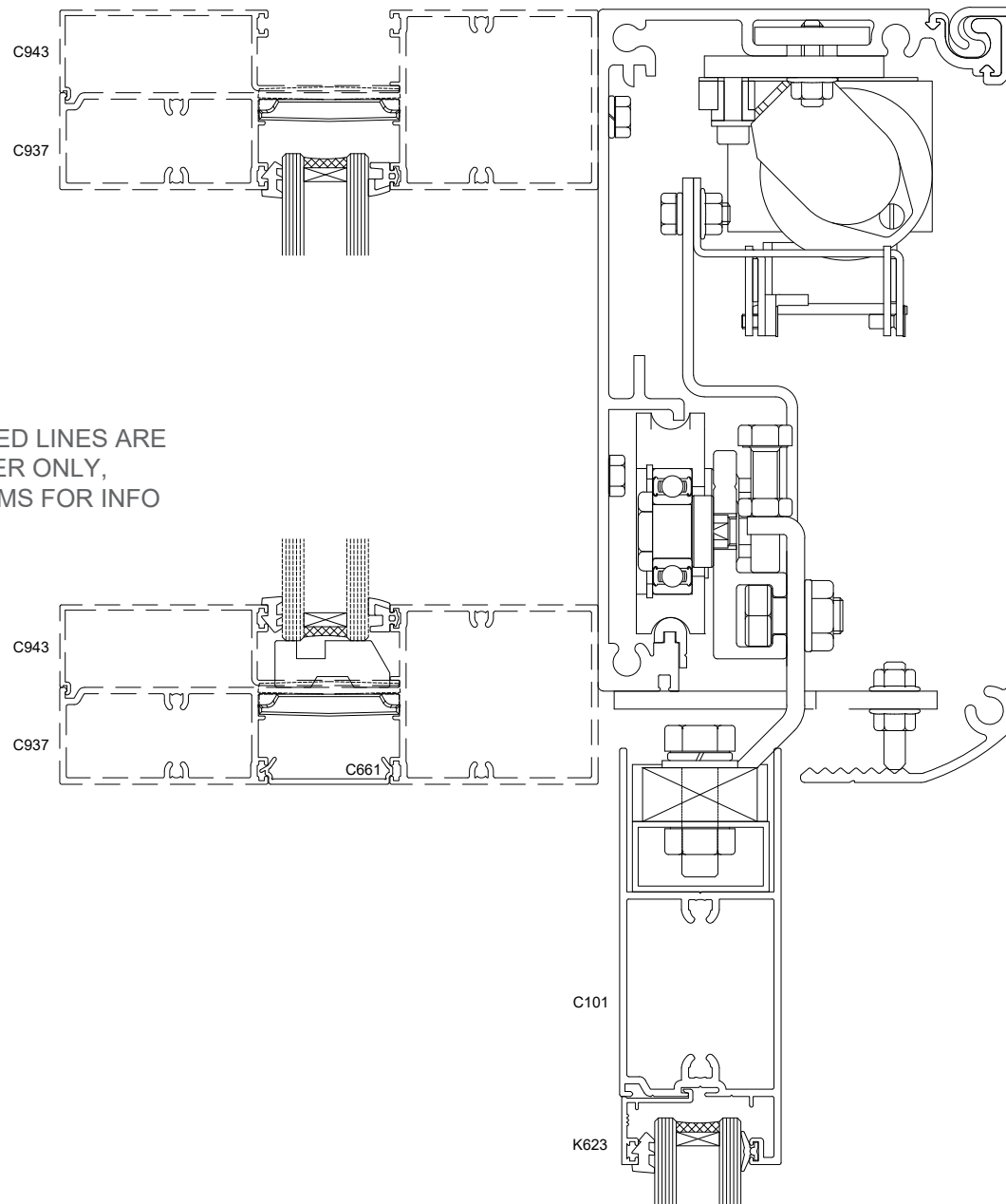
PROFILES SHOWN IN DASHED LINES ARE SUBJECT TO SPECIAL ORDER ONLY, CONSULT FAIRVIEW SYSTEMS FOR INFO

## 150mm CENTRE GLAZE SLIDING DOOR

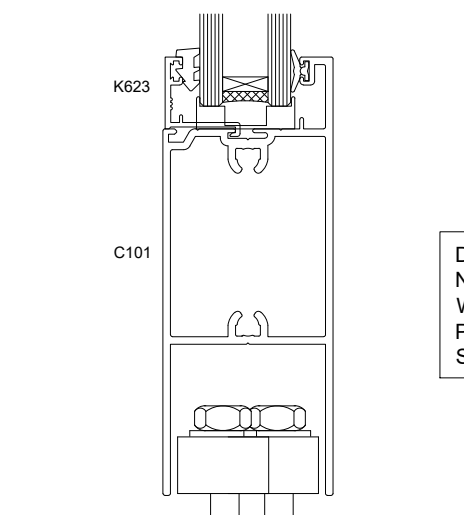
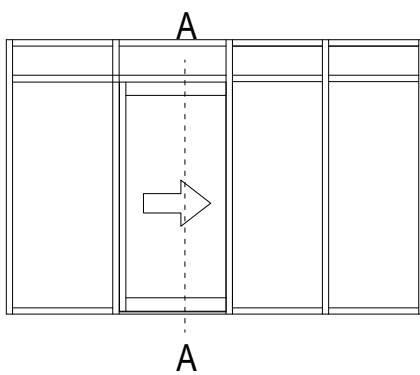
FAIRVIEW SYSTEMS LIMITED SPECIFIERS GUIDE 2014 © TECHNICAL SPECIFICATIONS & PROFILE DETAILS SUBJECT TO CHANGE WITHOUT NOTICE

FAIRVIEW 50 COMMERCIAL FULL SUITE

DATE 14.06.2018	SCALE 1:2
REF. CG150.1056	



PROFILES SHOWN IN DASHED LINES ARE SUBJECT TO SPECIAL ORDER ONLY, CONSULT FAIRVIEW SYSTEMS FOR INFO



DETAILS SHOWN ARE NON-WEATHERED SILLS. FOR WEATHERED SILL DETAILS PLEASE CONTACT FAIRVIEW SYSTEMS LTD.

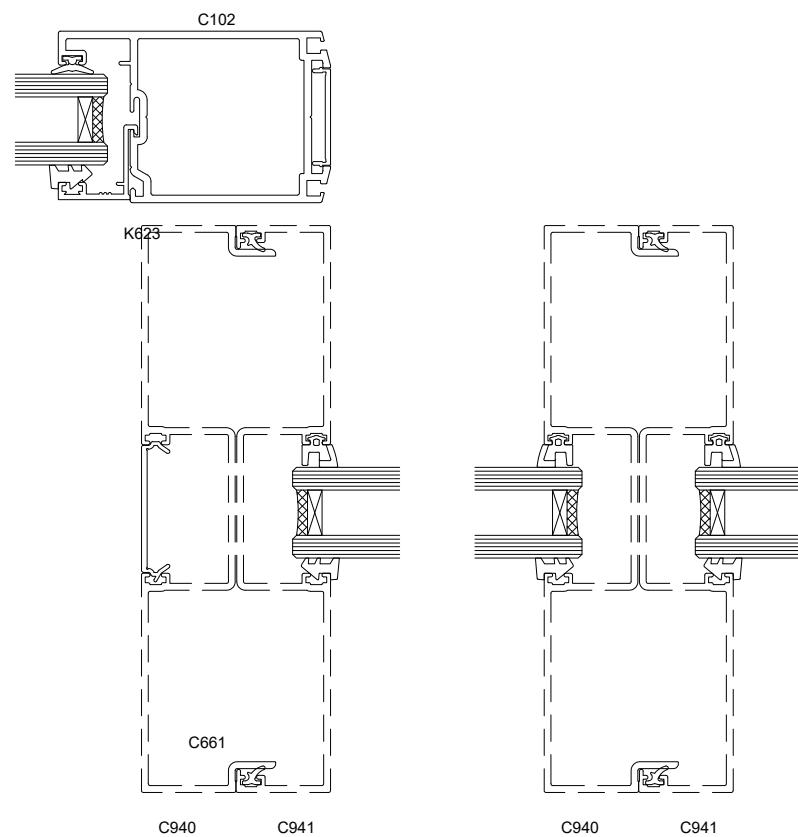
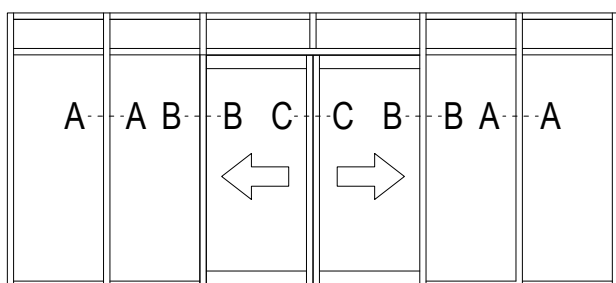
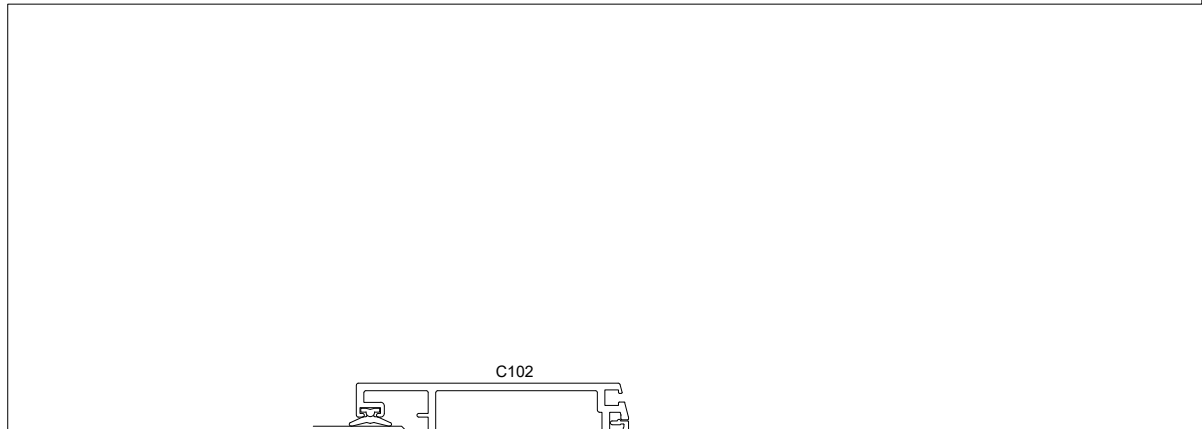
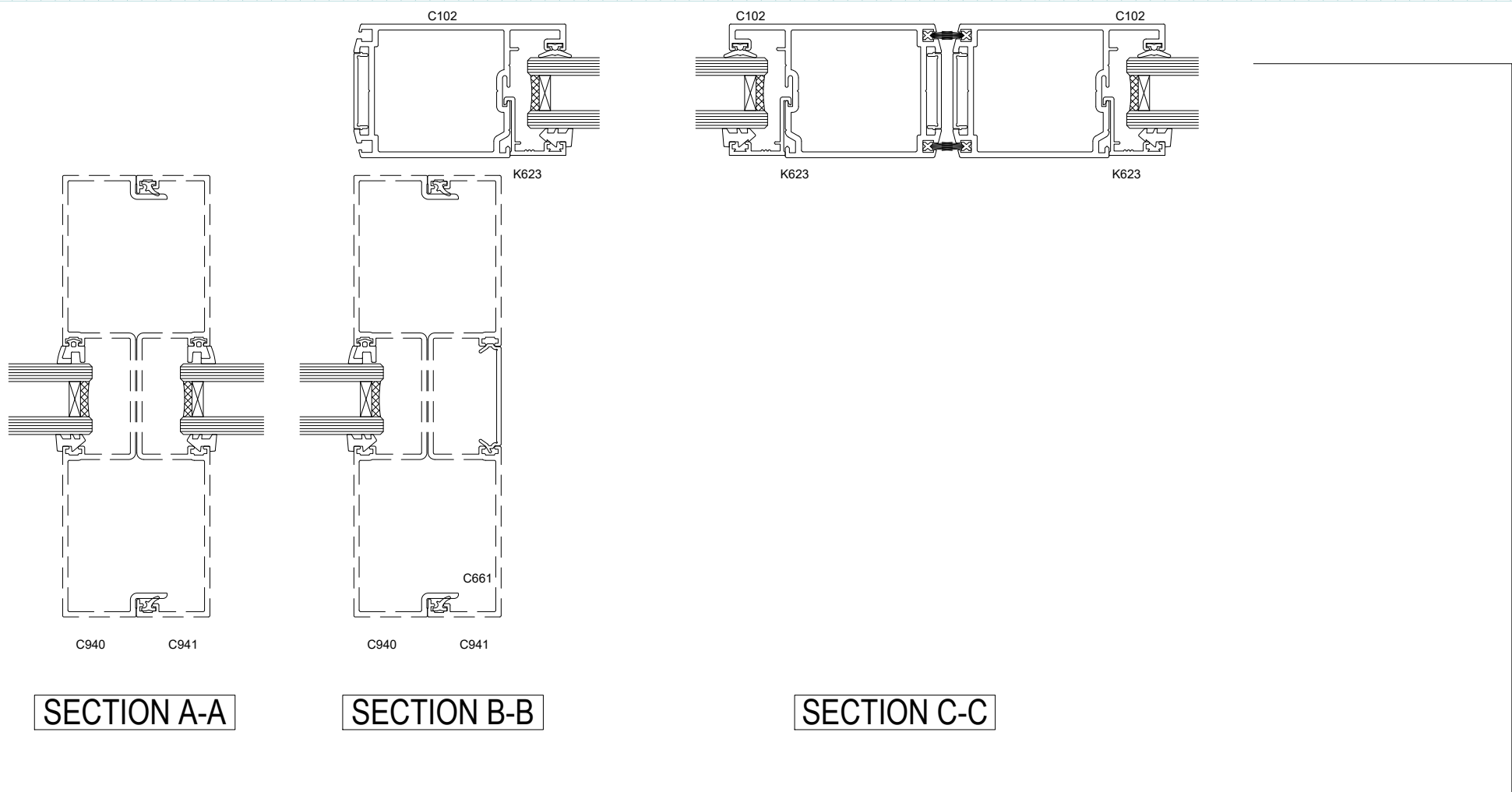
**SECTION A-A**

## 150mm CENTRE GLAZE AUTO SLIDING DOOR

FAIRVIEW SYSTEMS LIMITED SPECIFIERS GUIDE 2014 © TECHNICAL SPECIFICATIONS & PROFILE DETAILS SUBJECT TO CHANGE WITHOUT NOTICE

**FAIRVIEW 50 COMMERCIAL FULL SUITE**

DATE 14.06.2018	SCALE 1:2
REF. CG150.1057	



SECTION B-B

SECTION A-A

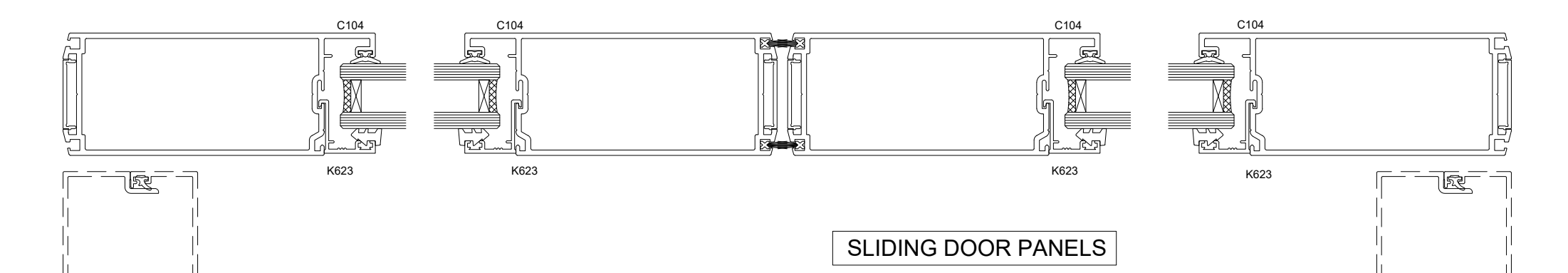
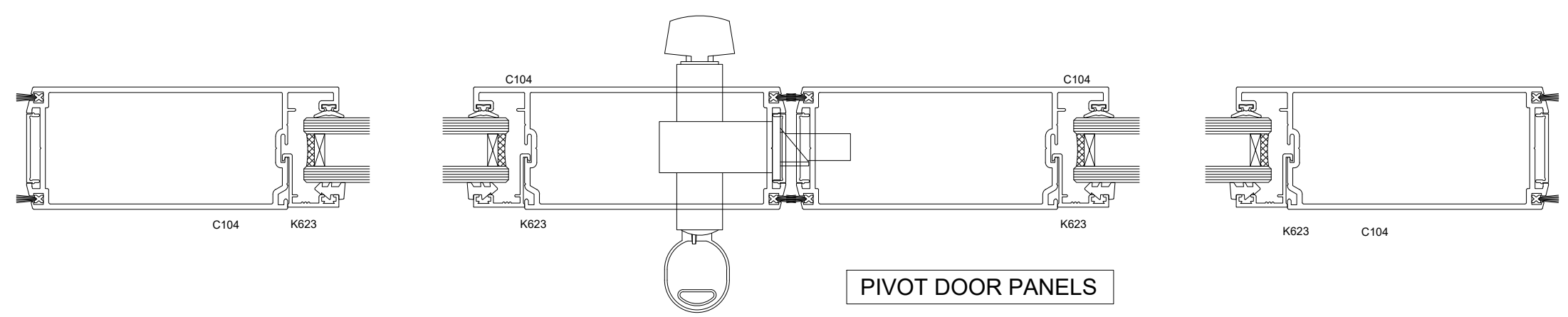
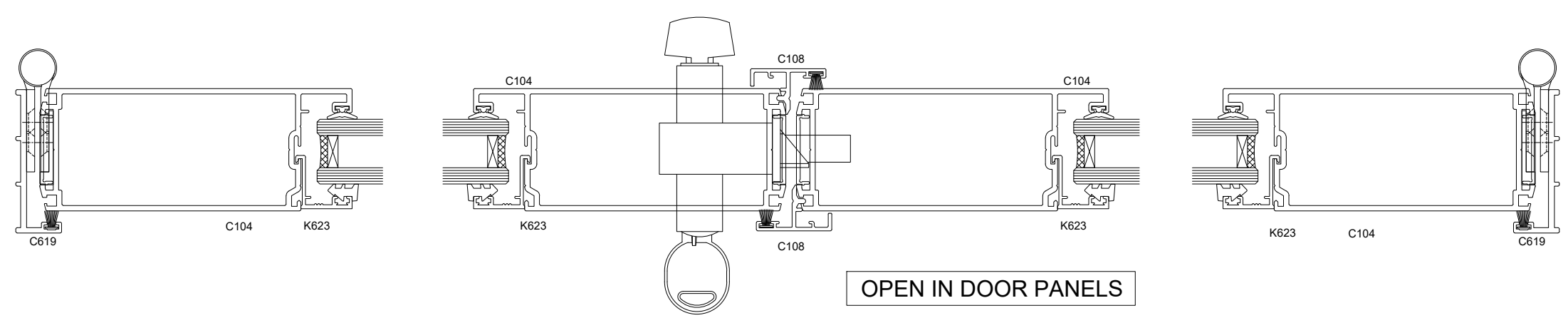
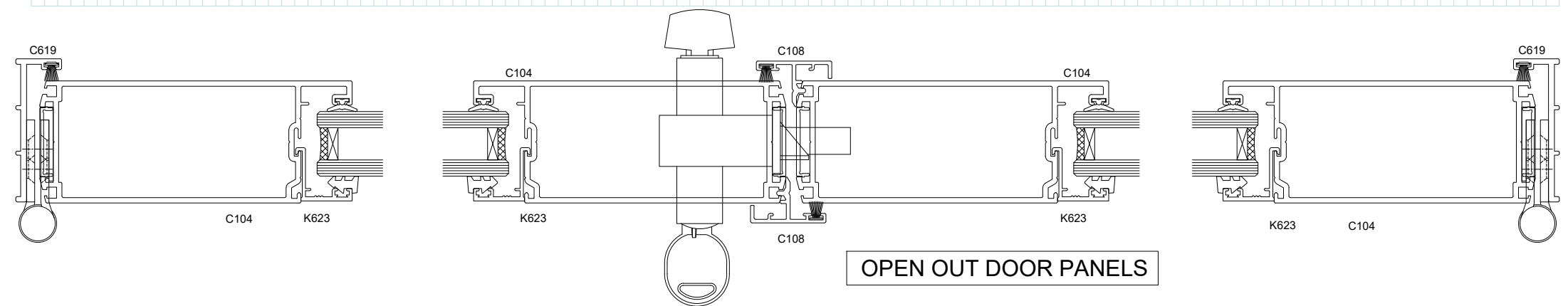
PROFILES SHOWN IN DASHED LINES ARE SUBJECT TO SPECIAL ORDER ONLY, CONSULT FAIRVIEW SYSTEMS FOR INFO

## 150mm CENTRE GLAZE AUTO SLIDING DOOR

FAIRVIEW SYSTEMS LIMITED SPECIFIERS GUIDE 2014 © TECHNICAL SPECIFICATIONS & PROFILE DETAILS SUBJECT TO CHANGE WITHOUT NOTICE

FAIRVIEW 50 COMMERCIAL FULL SUITE

DATE 14.06.2018	SCALE 1:2
REF. CG150.1058	



PROFILES SHOWN IN DASHED LINES ARE SUBJECT TO SPECIAL ORDER ONLY, CONSULT FAIRVIEW SYSTEMS FOR INFO

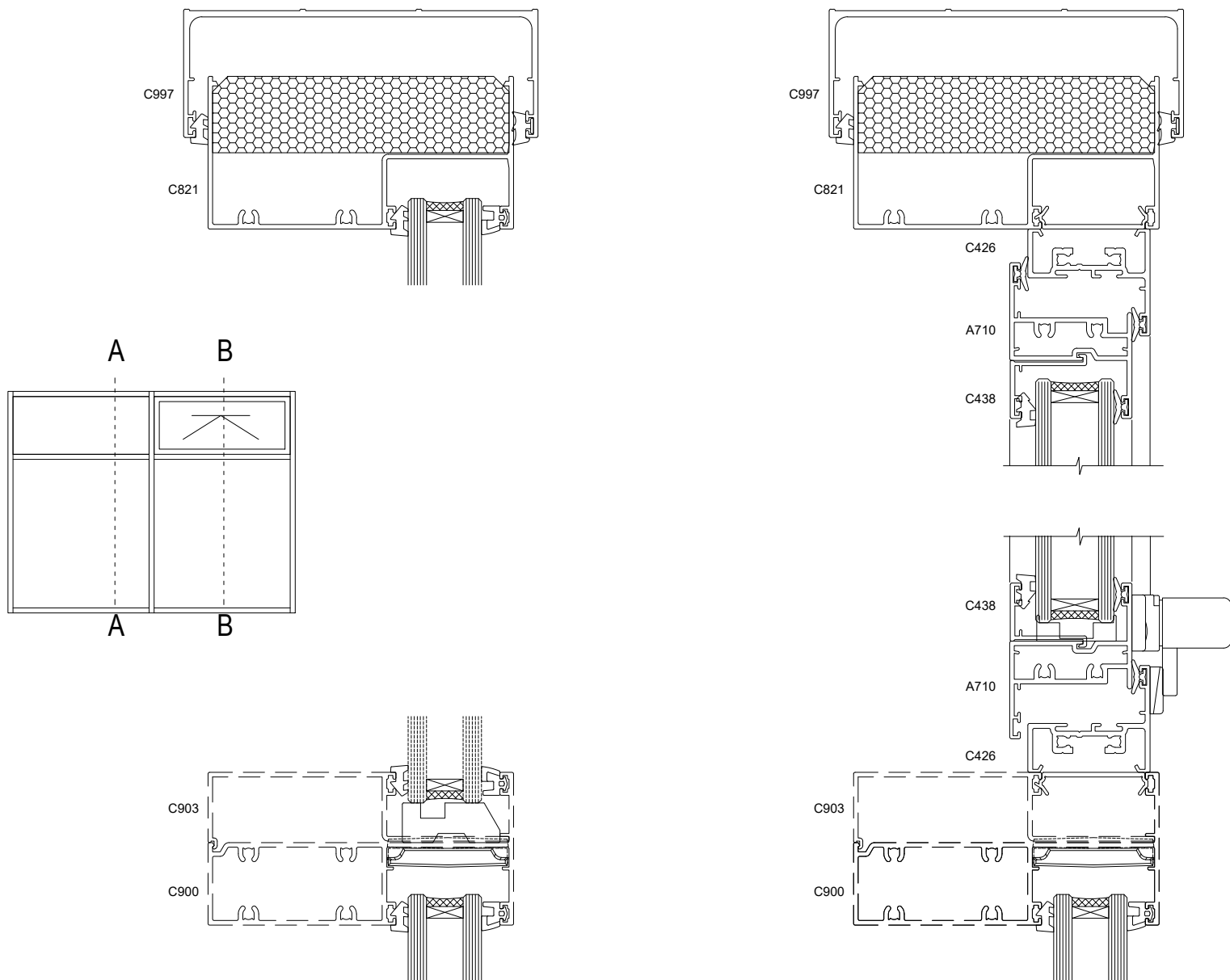
## 150mm CENTRE GLAZE WIDE DOOR STILES

FAIRVIEW SYSTEMS LIMITED SPECIFIERS GUIDE 2014 © TECHNICAL SPECIFICATIONS & PROFILE DETAILS SUBJECT TO CHANGE WITHOUT NOTICE

### FAIRVIEW 50 COMMERCIAL FULL SUITE

DATE 14.06.2018	SCALE 1:2
REF. CG150.1059	





PROFILES SHOWN IN DASHED LINES ARE SUBJECT TO SPECIAL ORDER ONLY, CONSULT FAIRVIEW SYSTEMS FOR INFO

**SECTION A-A**

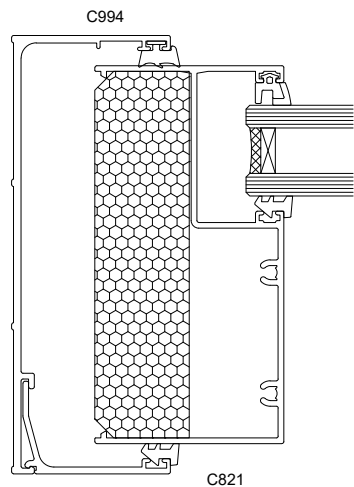
**SECTION B-B**

## 100mm REAR GLAZE FIXED GLAZING WINDOW

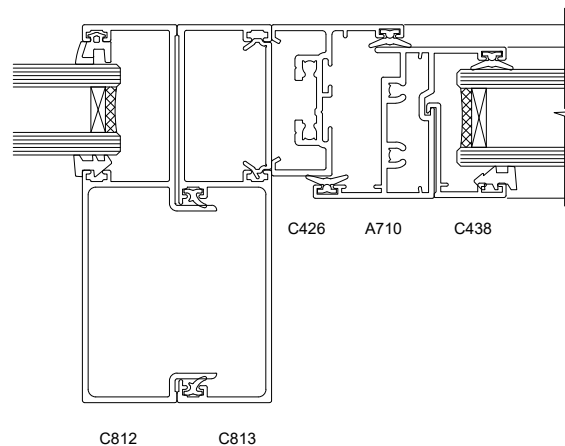
FAIRVIEW SYSTEMS LIMITED SPECIFIERS GUIDE 2014 © TECHNICAL SPECIFICATIONS & PROFILE DETAILS SUBJECT TO CHANGE WITHOUT NOTICE

**FAIRVIEW 50 COMMERCIAL FULL SUITE**

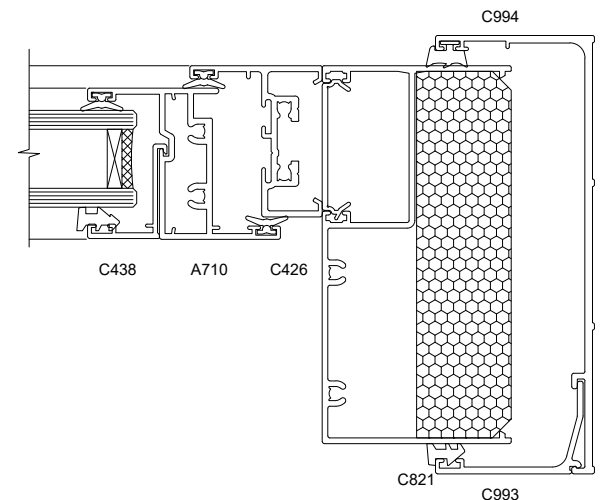
DATE 14.06.2018	SCALE 1:2
REF. RG100.1060	



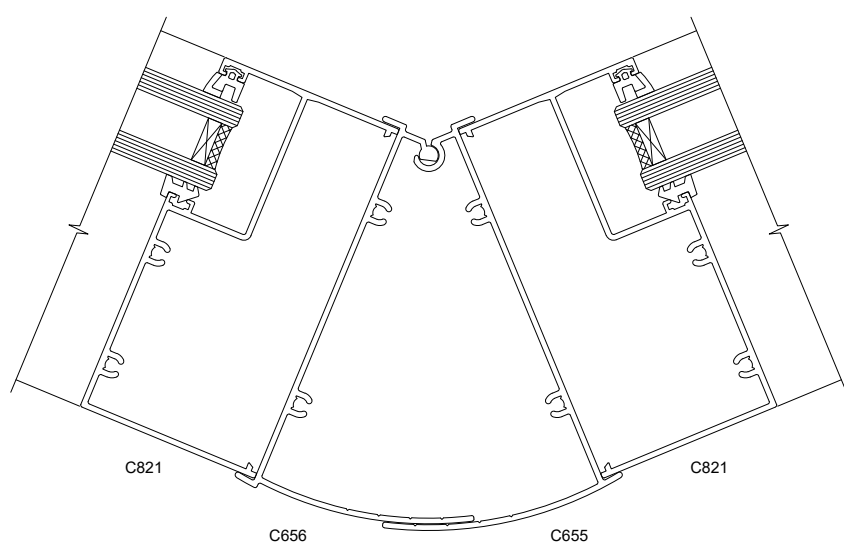
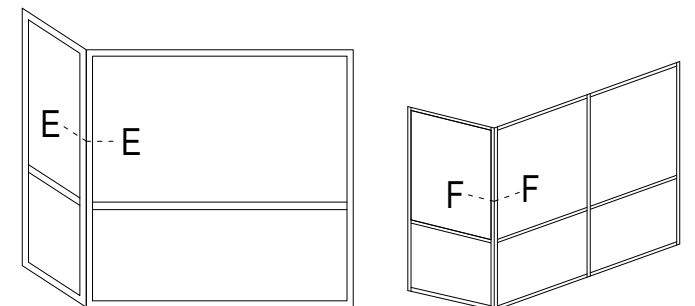
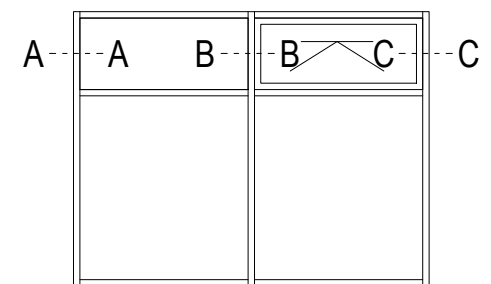
**SECTION A-A**



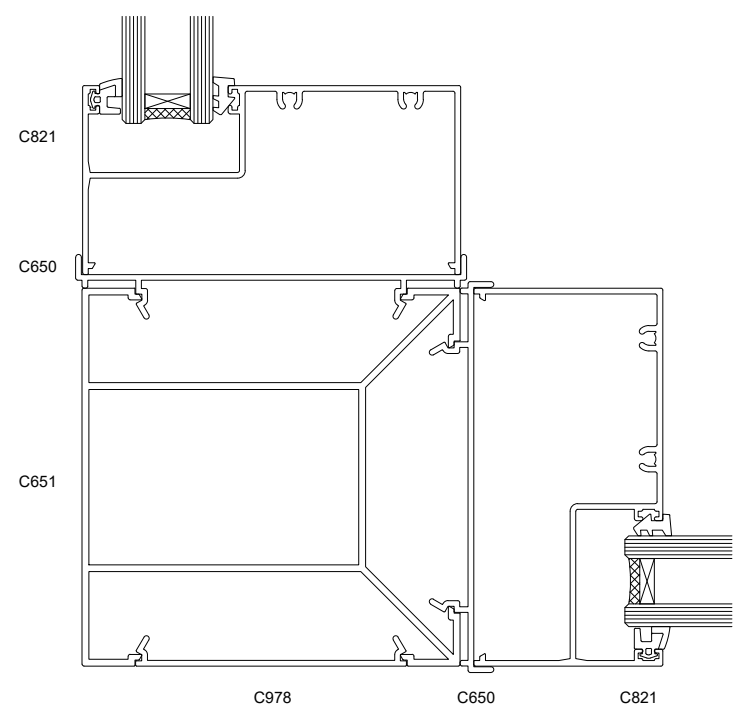
**SECTION B-B**



**SECTION C-C**



**SECTION E-E**



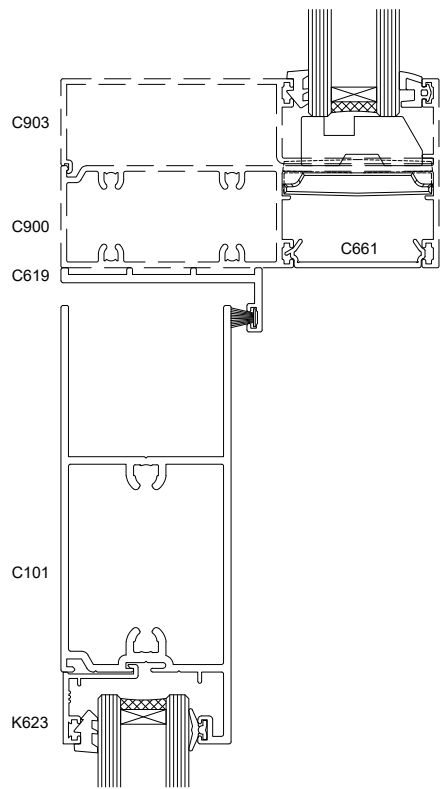
**SECTION F-F**

## 100mm REAR GLAZE FIXED GLAZING WINDOW

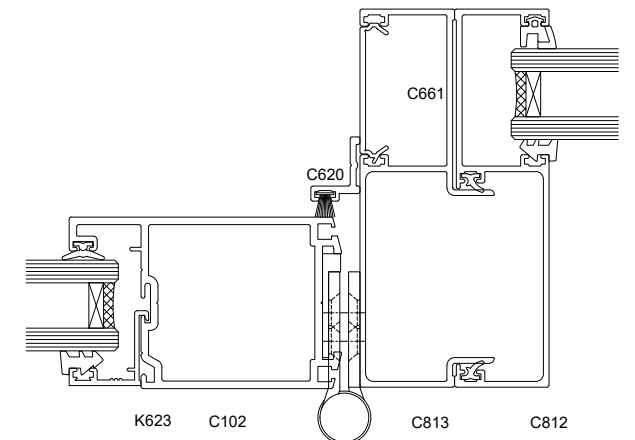
FAIRVIEW SYSTEMS LIMITED SPECIFIERS GUIDE 2014 © TECHNICAL SPECIFICATIONS & PROFILE DETAILS SUBJECT TO CHANGE WITHOUT NOTICE

**FAIRVIEW 50 COMMERCIAL FULL SUITE**

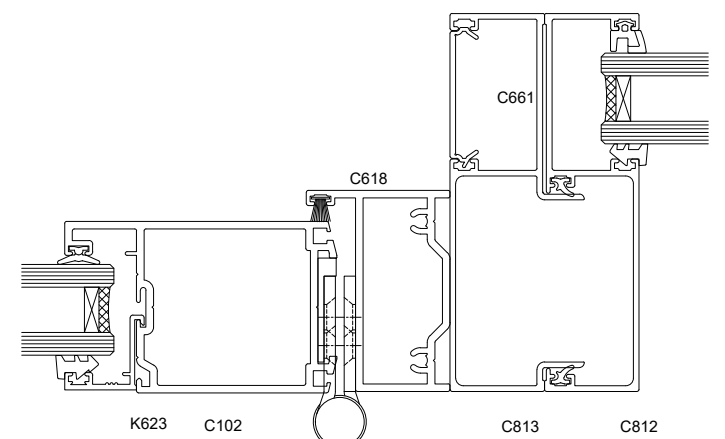
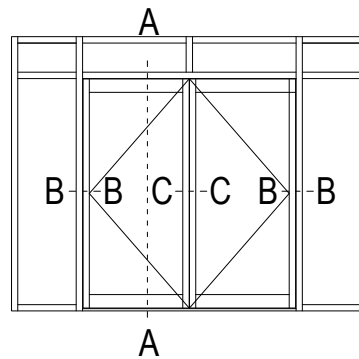
DATE 14.06.2018	SCALE 1:2
REF. RG100.1061	



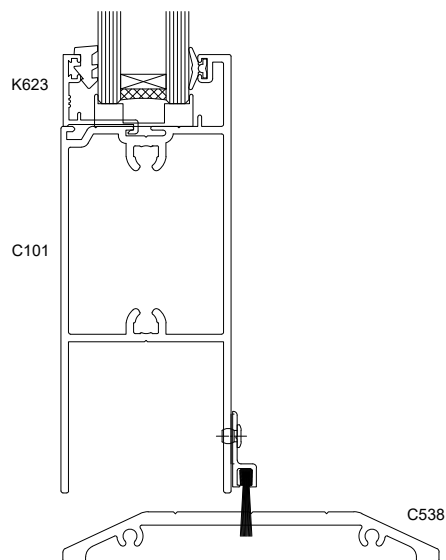
PROFILES SHOWN IN DASHED LINES ARE SUBJECT TO SPECIAL ORDER ONLY, CONSULT FAIRVIEW SYSTEMS FOR INFO



SECTION B-B

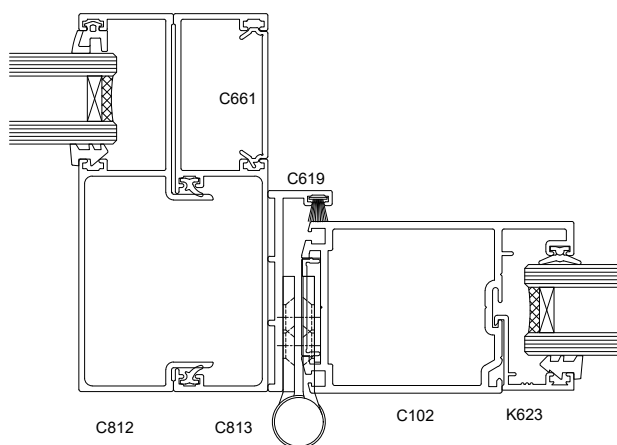


SECTION B-B

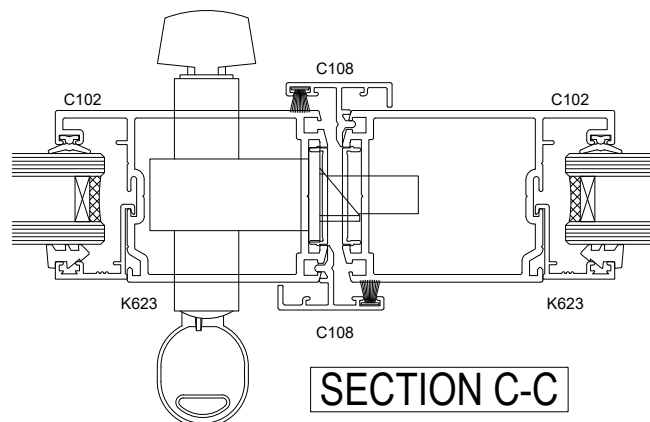


SECTION A-A

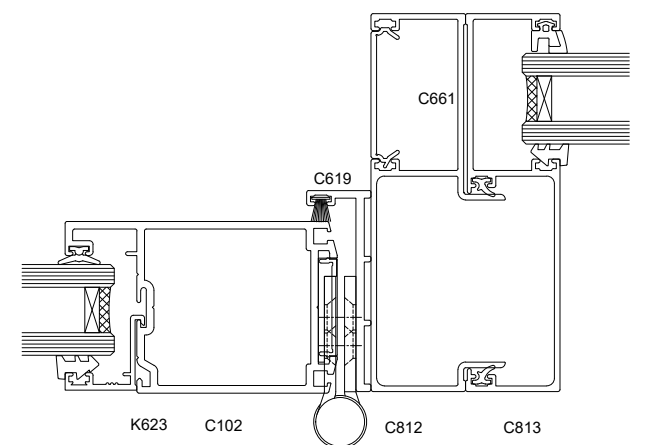
DETAILS SHOWN ARE NON-WEATHERED SILLS. FOR WEATHERED SILL DETAILS PLEASE CONTACT FAIRVIEW SYSTEMS LTD.



SECTION B-B



SECTION C-C



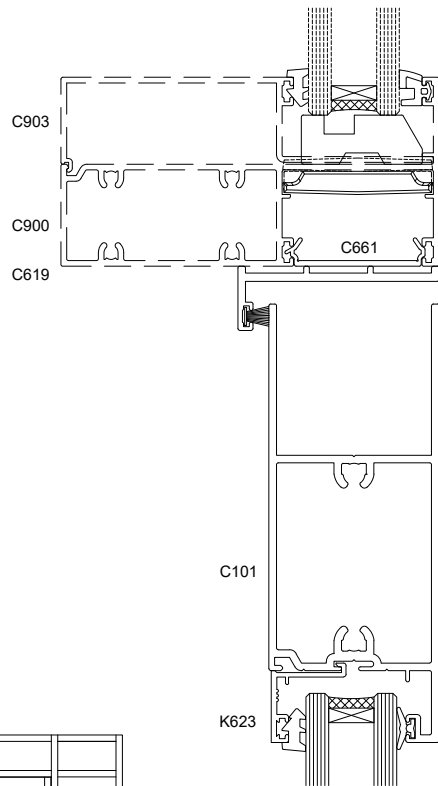
SECTION B-B

## 100mm REAR GLAZE HINGED DOOR OPEN OUT

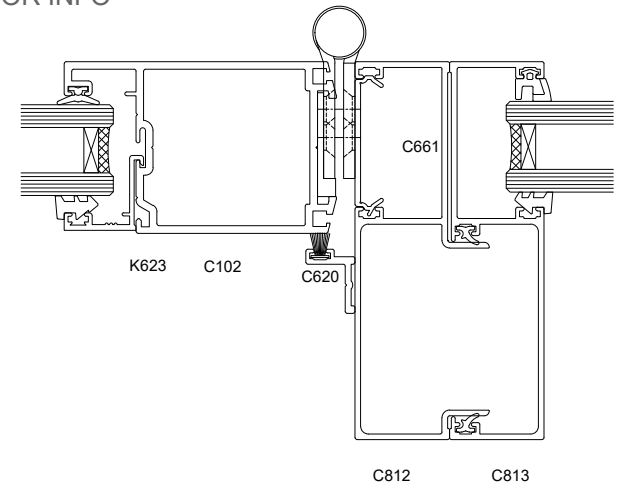
FAIRVIEW SYSTEMS LIMITED SPECIFIERS GUIDE 2014 © TECHNICAL SPECIFICATIONS & PROFILE DETAILS SUBJECT TO CHANGE WITHOUT NOTICE

### FAIRVIEW 50 COMMERCIAL FULL SUITE

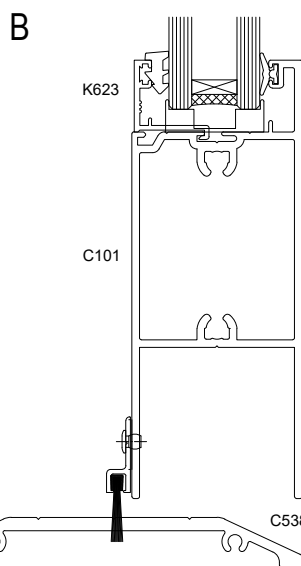
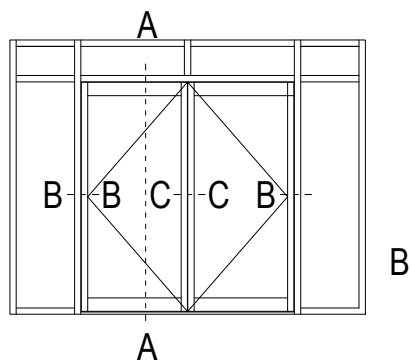
DATE 14.06.2018	SCALE 1:2
REF. RG100.1062	



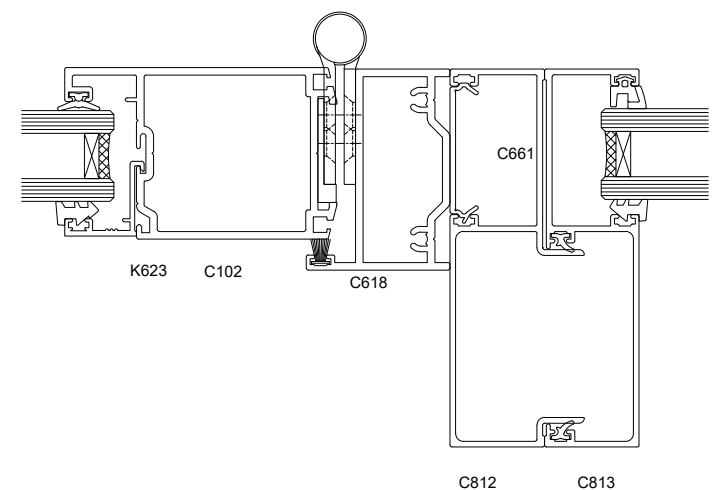
PROFILES SHOWN IN DASHED LINES ARE SUBJECT TO SPECIAL ORDER ONLY, CONSULT FAIRVIEW SYSTEMS FOR INFO



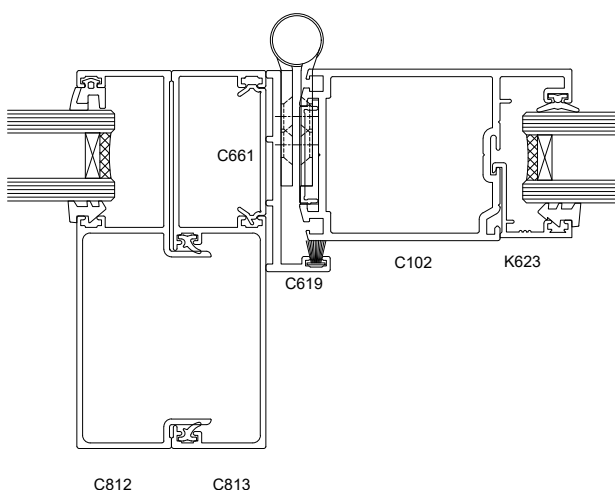
SECTION B-B



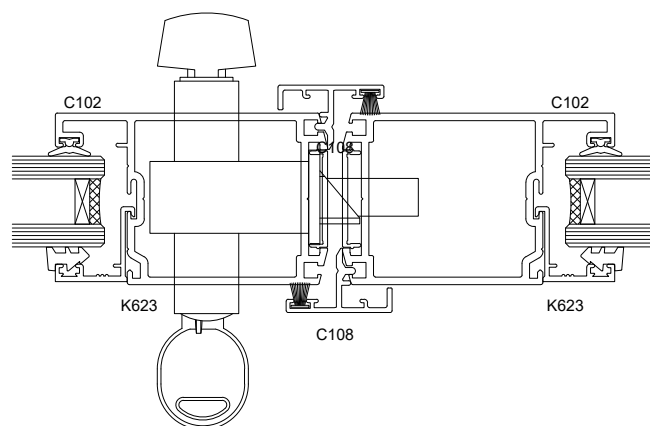
SECTION A-A



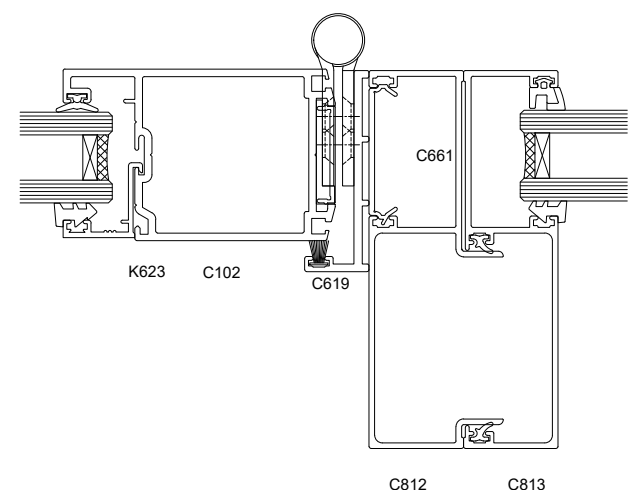
SECTION B-B



SECTION B-B



SECTION C-C



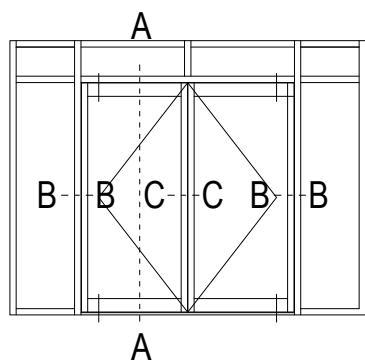
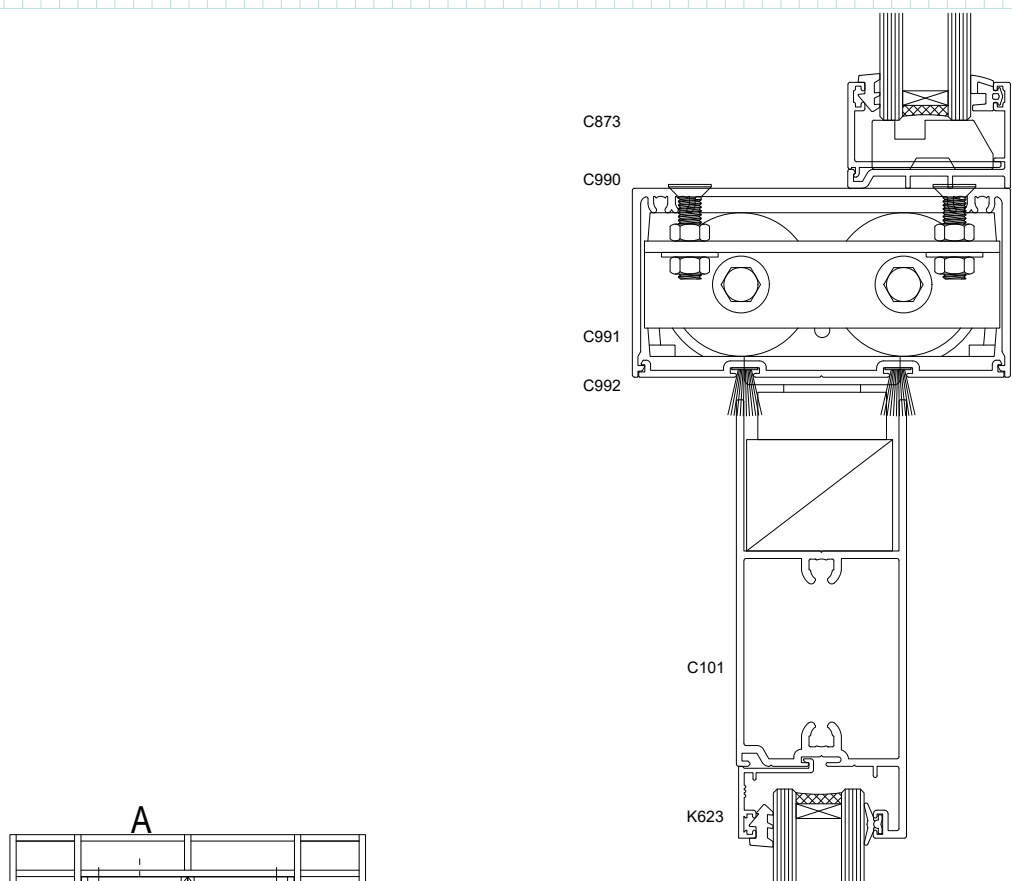
SECTION B-B

## 100mm REAR GLAZE HINGED DOOR OPEN IN

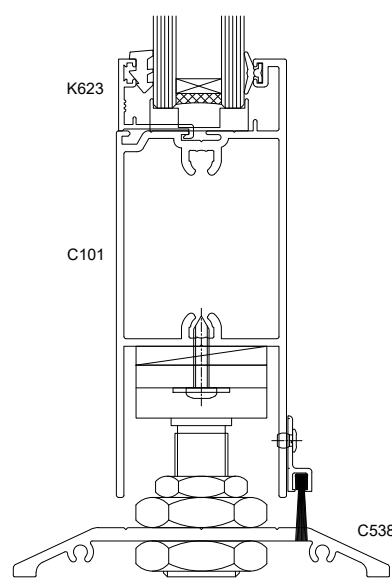
FAIRVIEW SYSTEMS LIMITED SPECIFIERS GUIDE 2014 © TECHNICAL SPECIFICATIONS & PROFILE DETAILS SUBJECT TO CHANGE WITHOUT NOTICE

### FAIRVIEW 50 COMMERCIAL FULL SUITE

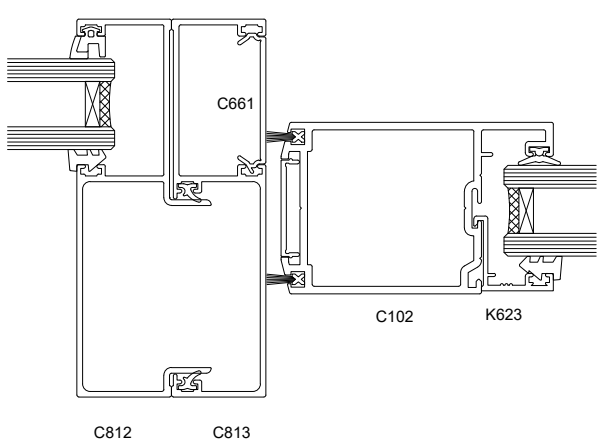
DATE 14.06.2018	SCALE 1:2
REF. RG100.1063	



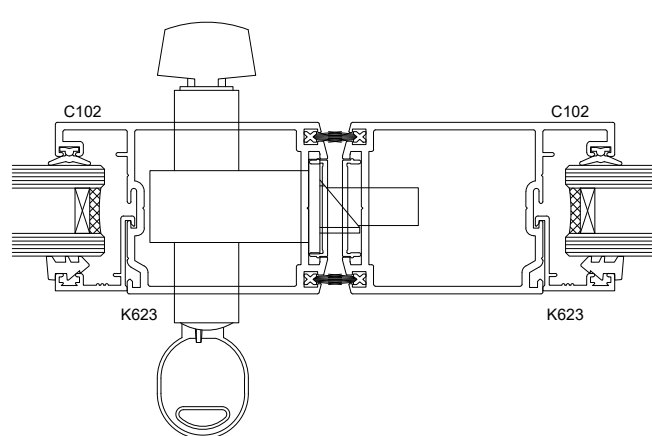
DETAILS SHOWN ARE  
NON-WEATHERED SILLS. FOR  
WEATHERED SILL DETAILS  
PLEASE CONTACT FAIRVIEW  
SYSTEMS LTD.



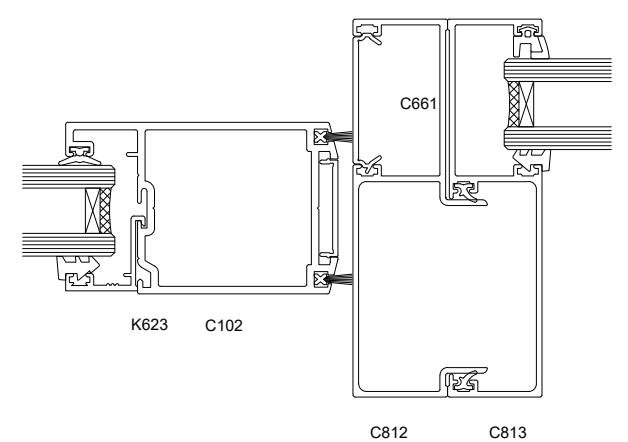
**SECTION A-A**



**SECTION B-B**



**SECTION C-C**



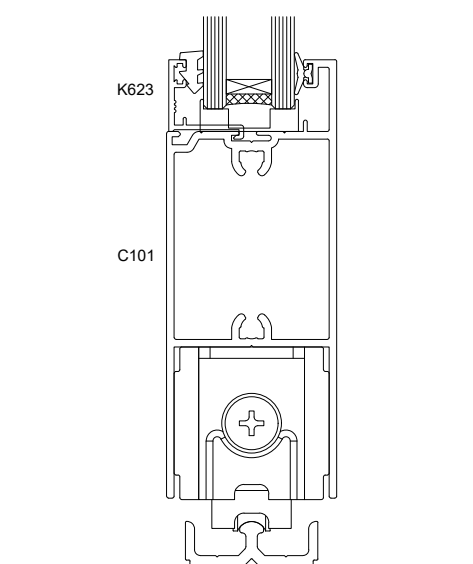
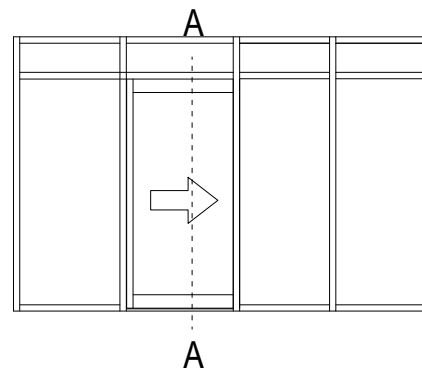
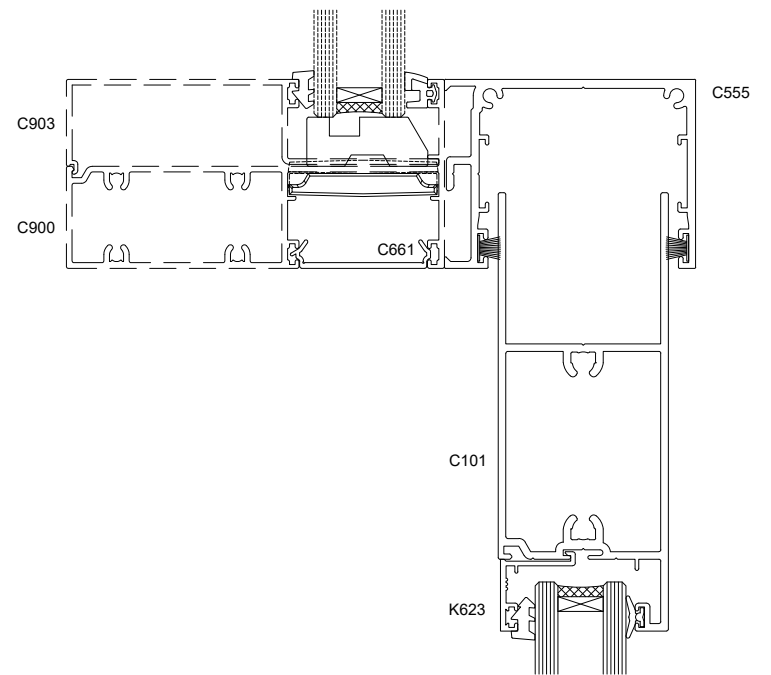
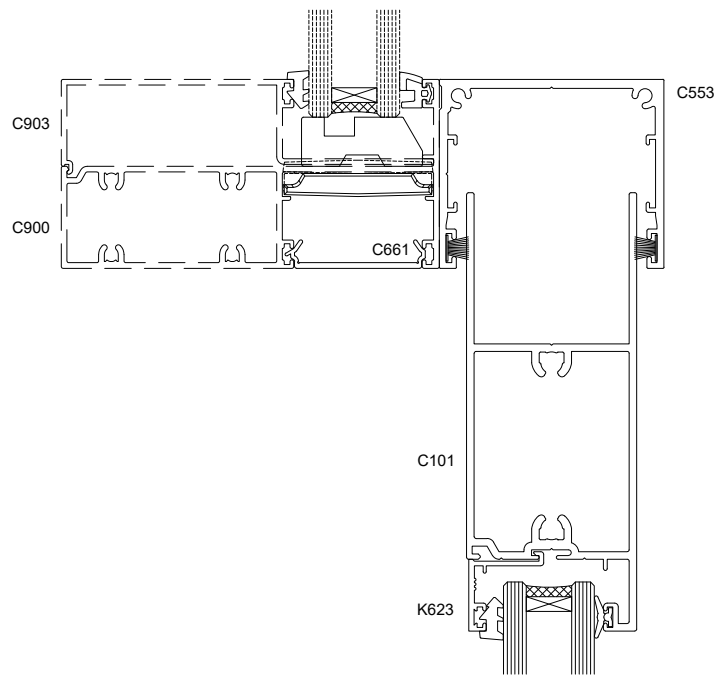
**SECTION B-B**

## 100mm REAR GLAZE PIVOT DOOR

FAIRVIEW SYSTEMS LIMITED SPECIFIERS GUIDE 2014 © TECHNICAL SPECIFICATIONS & PROFILE DETAILS SUBJECT TO CHANGE WITHOUT NOTICE

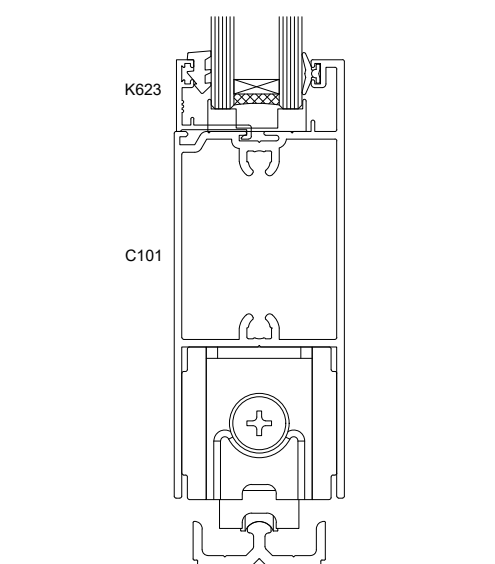
**FAIRVIEW 50 COMMERCIAL FULL SUITE**

DATE 14.06.2018	SCALE 1:2
REF. RG100.1064	



**SECTION A-A**

**NON-INTERLOCKED**



**SECTION A-A**

**INTERLOCKED**

DETAILS SHOWN ARE NON-WEATHERED SILLS. FOR WEATHERED SILL DETAILS PLEASE CONTACT FAIRVIEW SYSTEMS LTD.

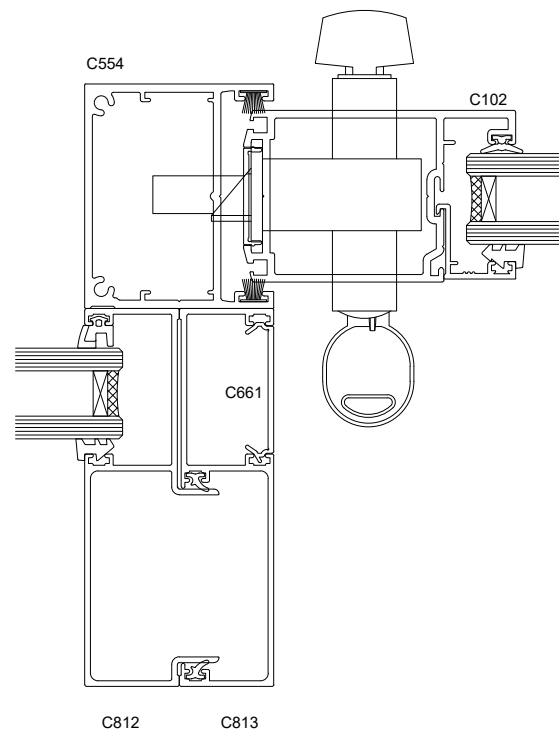
PROFILES SHOWN IN DASHED LINES ARE SUBJECT TO SPECIAL ORDER ONLY, CONSULT FAIRVIEW SYSTEMS FOR INFO

## 100mm REAR GLAZE SLIDING DOOR

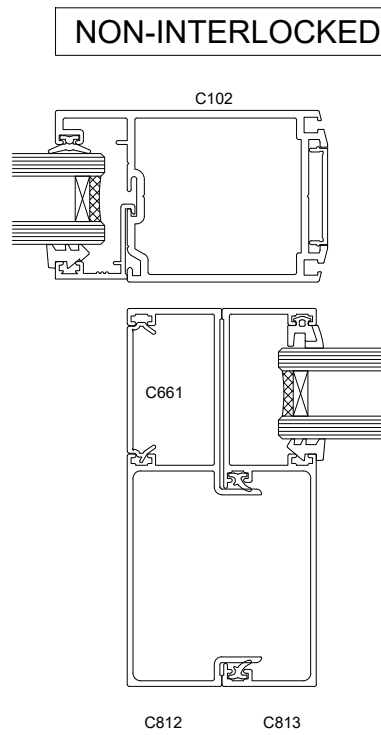
FAIRVIEW SYSTEMS LIMITED SPECIFIERS GUIDE 2014 © TECHNICAL SPECIFICATIONS & PROFILE DETAILS SUBJECT TO CHANGE WITHOUT NOTICE

**FAIRVIEW 50 COMMERCIAL FULL SUITE**

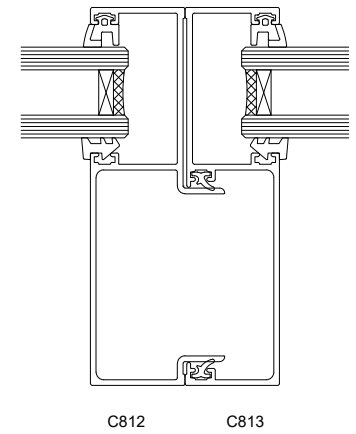
DATE 14.06.2018	SCALE 1:2
REF. RG100.1065	



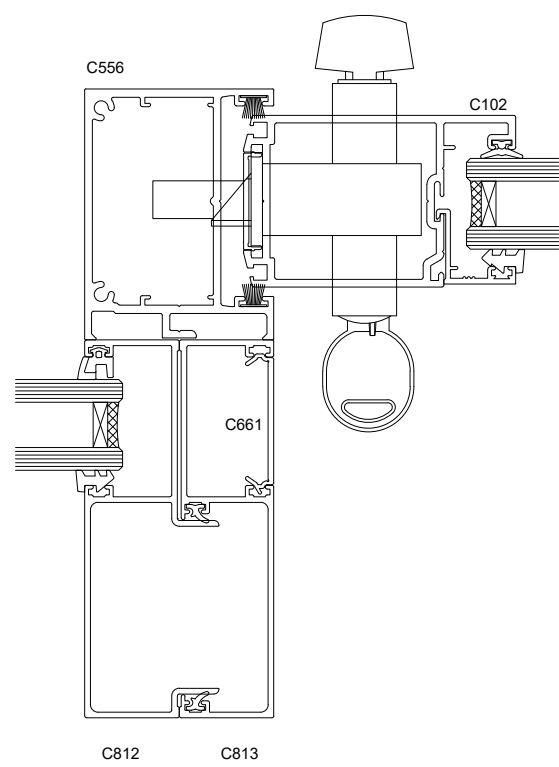
SECTION A-A



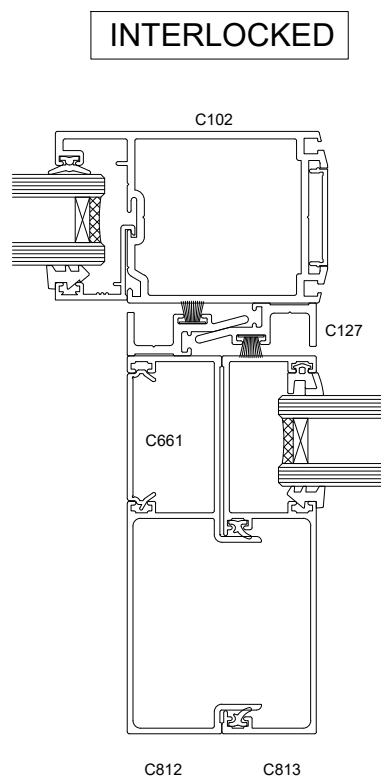
SECTION B-B



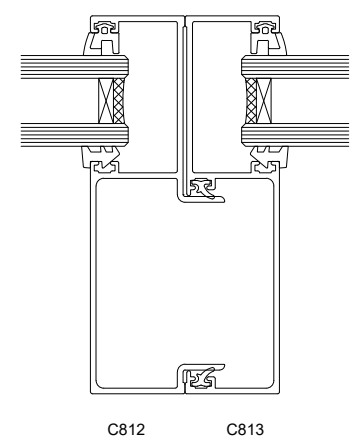
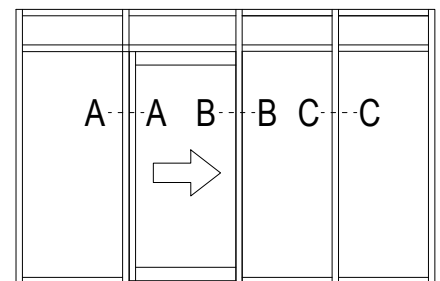
SECTION C-C



SECTION A-A



SECTION B-B



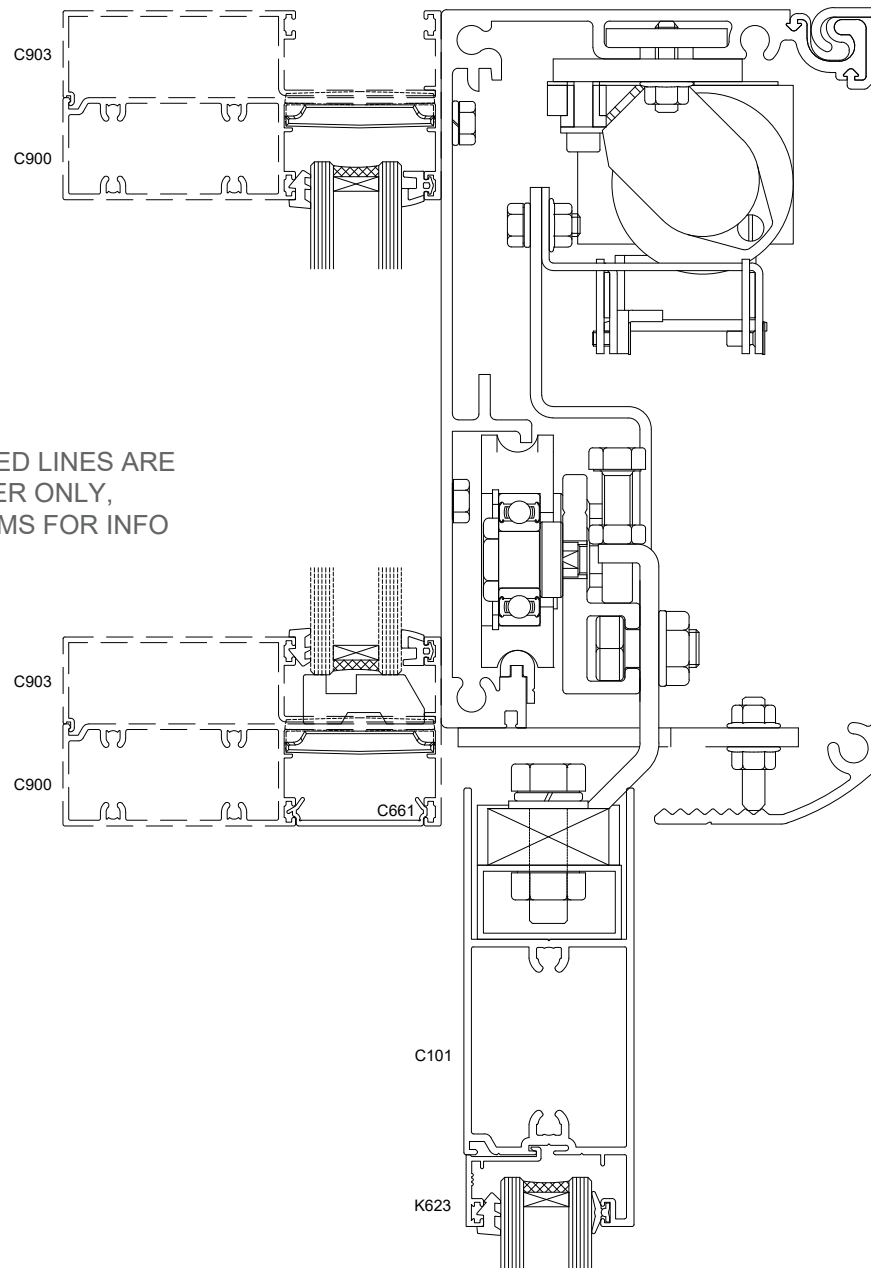
SECTION C-C


## 100mm REAR GLAZE SLIDING DOOR

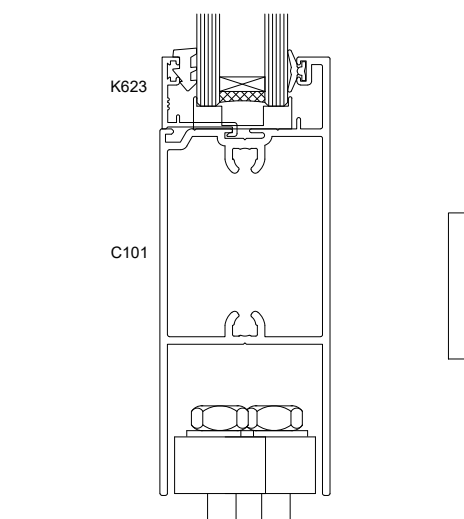
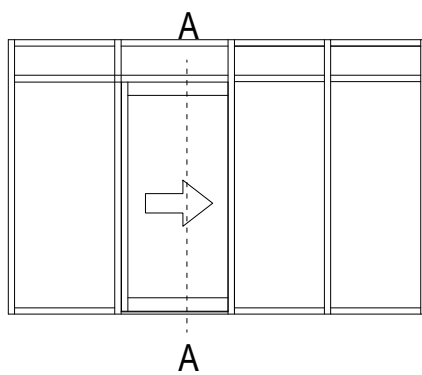
FAIRVIEW SYSTEMS LIMITED SPECIFIERS GUIDE 2014 © TECHNICAL SPECIFICATIONS & PROFILE DETAILS SUBJECT TO CHANGE WITHOUT NOTICE

FAIRVIEW 50 COMMERCIAL FULL SUITE

DATE 14.06.2018	SCALE 1:2
REF. RG100.1066	



 PROFILES SHOWN IN DASHED LINES ARE SUBJECT TO SPECIAL ORDER ONLY, CONSULT FAIRVIEW SYSTEMS FOR INFO



DETAILS SHOWN ARE NON-WEATHERED SILLS. FOR WEATHERED SILL DETAILS PLEASE CONTACT FAIRVIEW SYSTEMS LTD.

**SECTION A-A**

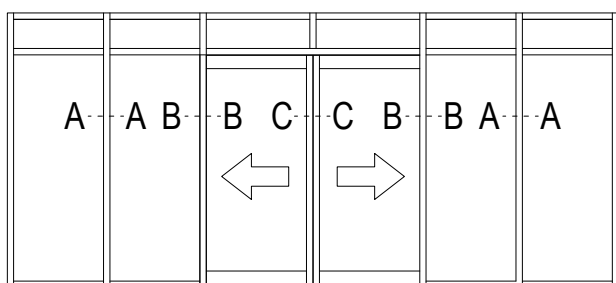
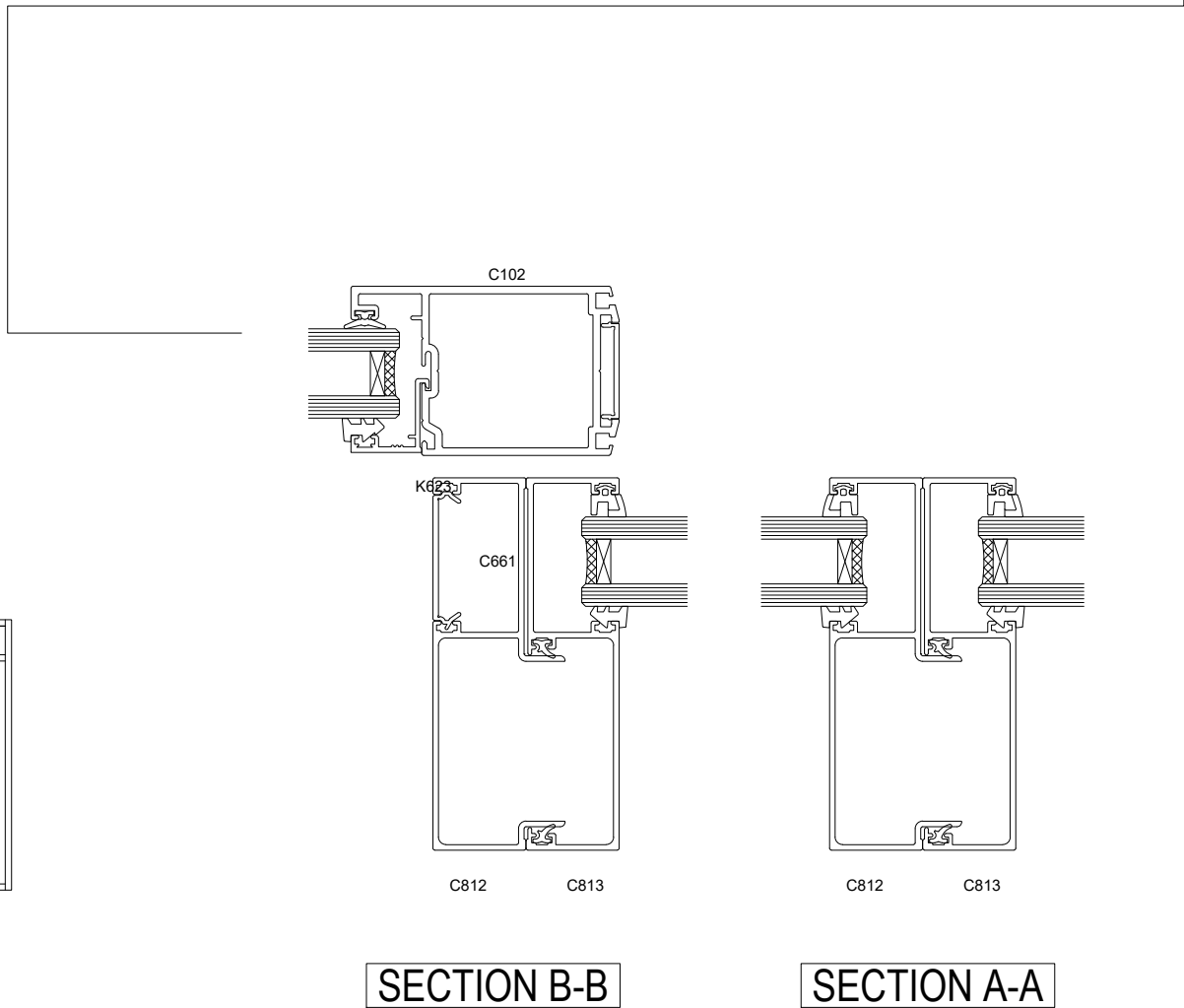
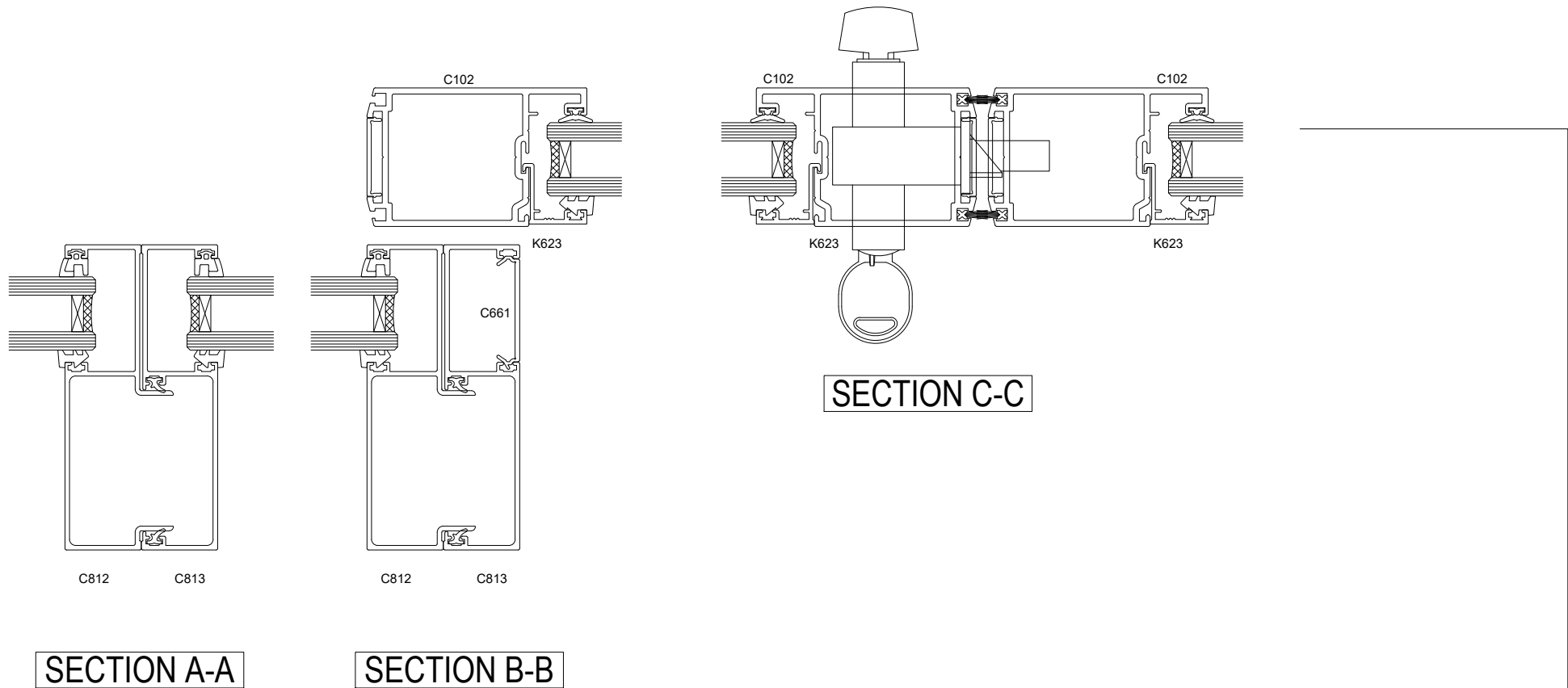
## 100mm REAR GLAZE AUTO SLIDING DOOR

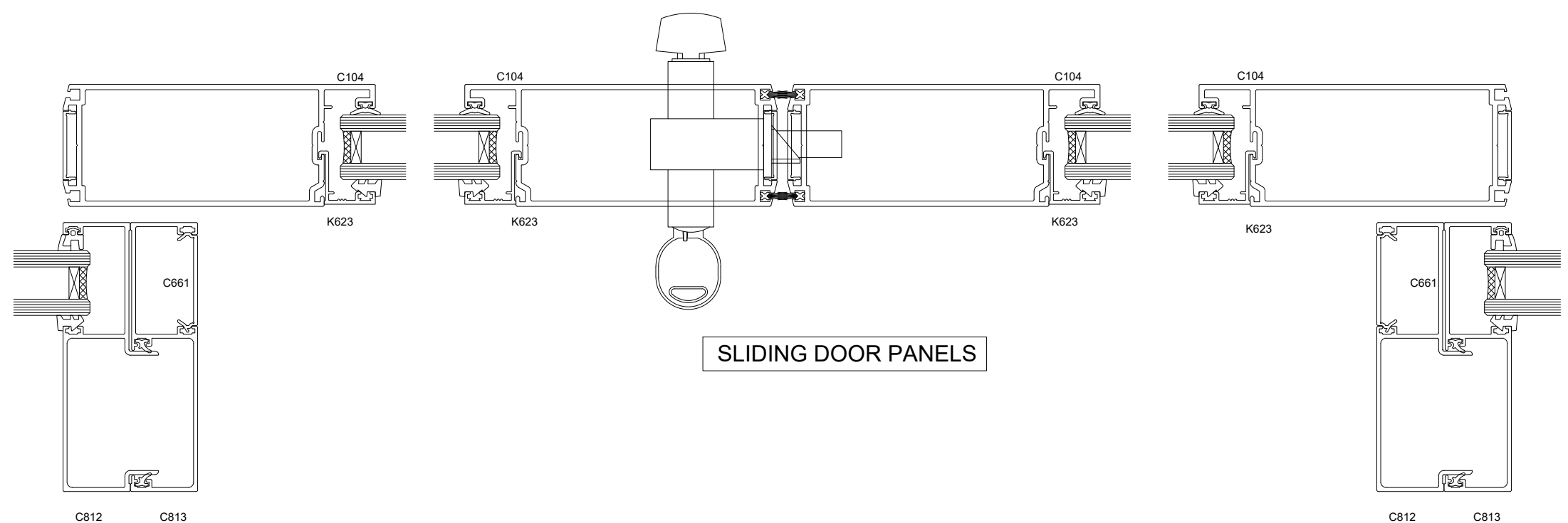
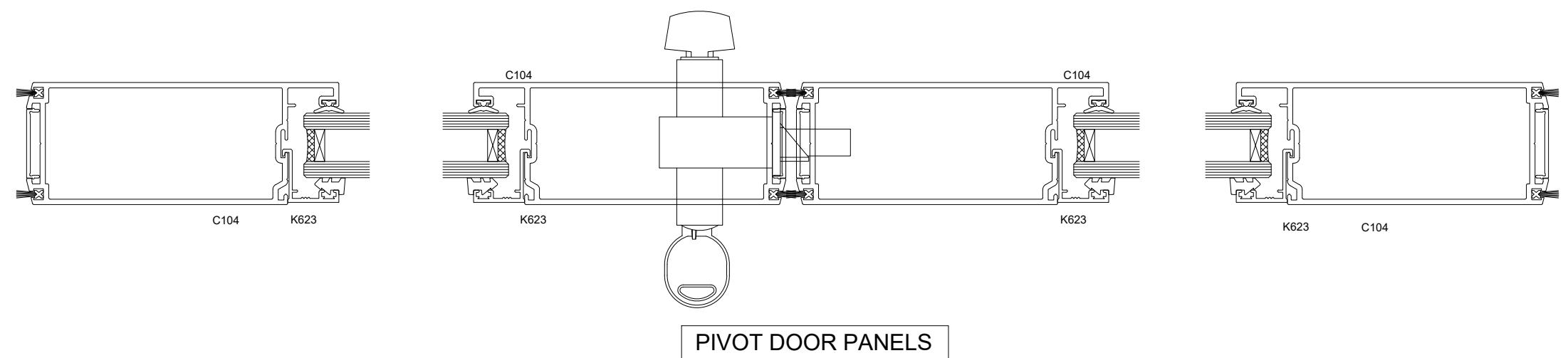
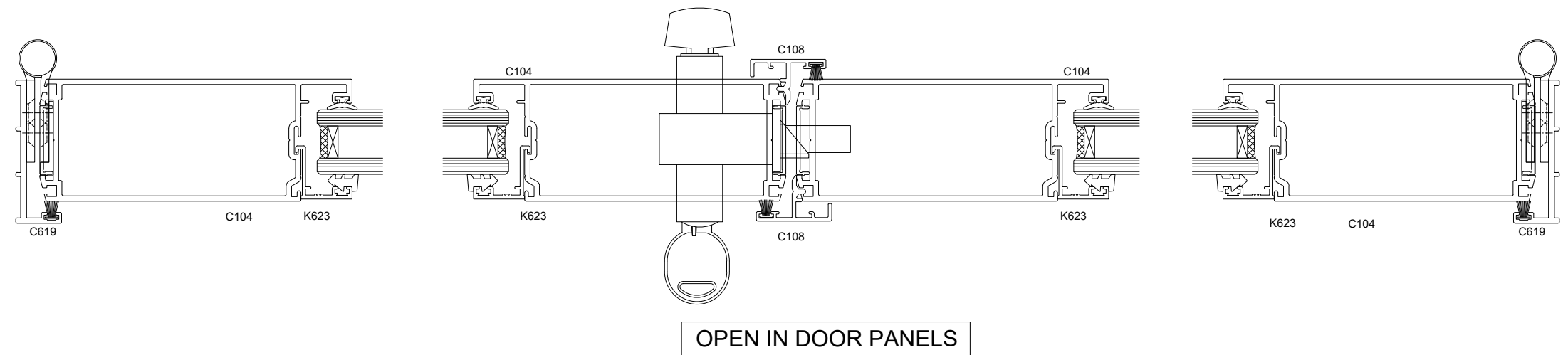
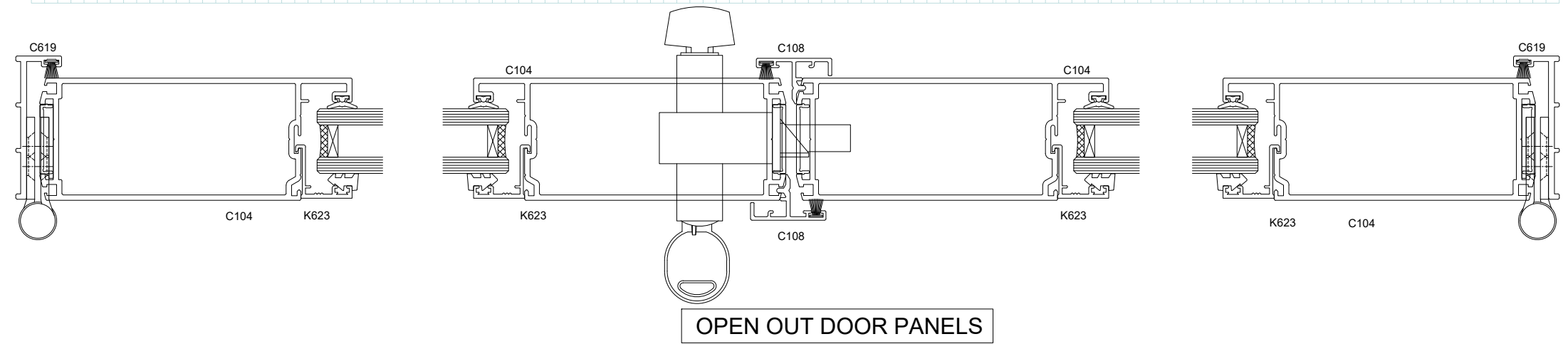
FAIRVIEW SYSTEMS LIMITED SPECIFIERS GUIDE 2014 © TECHNICAL SPECIFICATIONS & PROFILE DETAILS SUBJECT TO CHANGE WITHOUT NOTICE

**FAIRVIEW 50 COMMERCIAL FULL SUITE**

DATE 14.06.2018	SCALE 1:2
REF. RG100.1067	





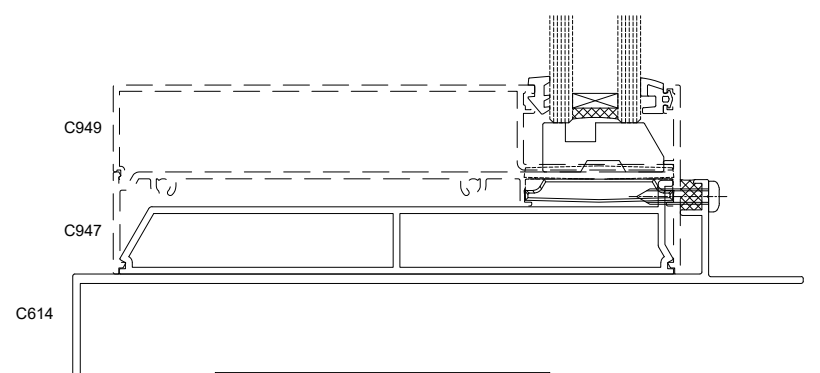
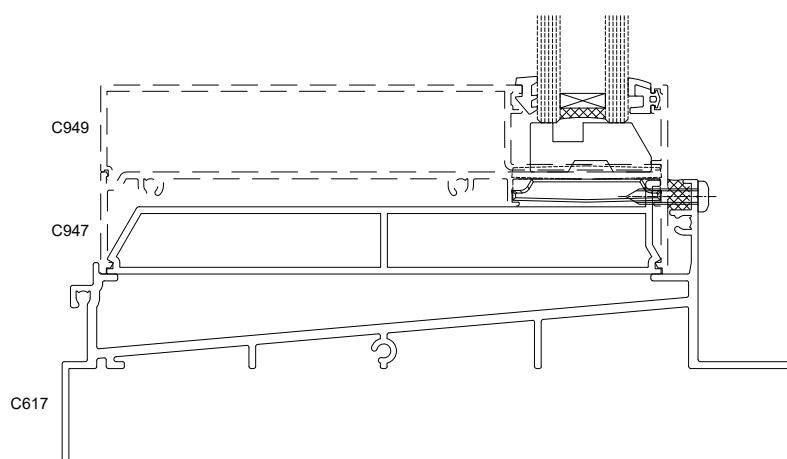
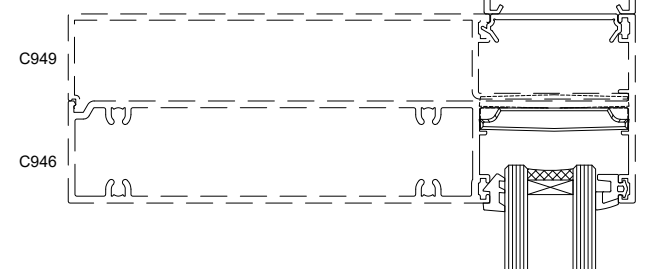
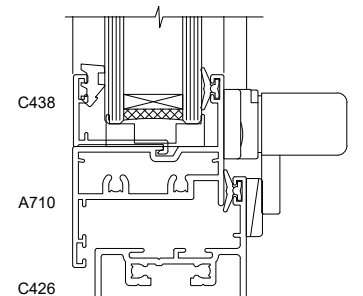
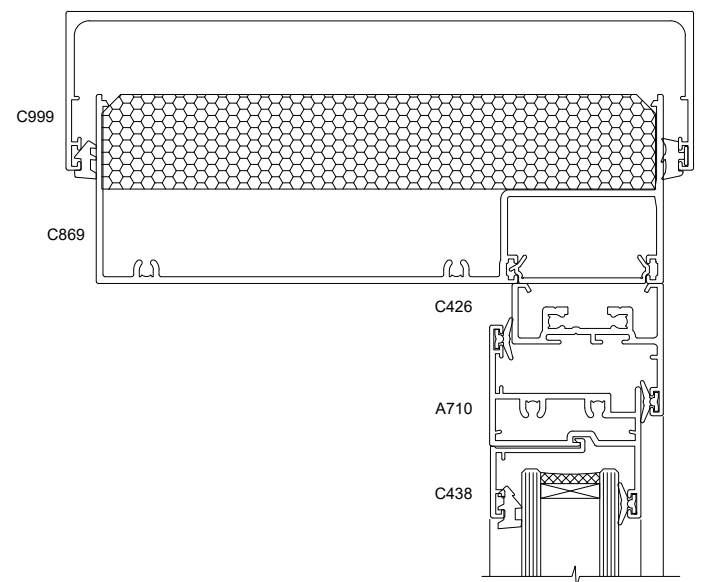
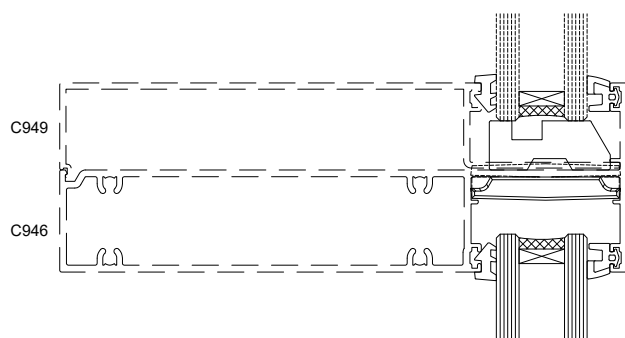
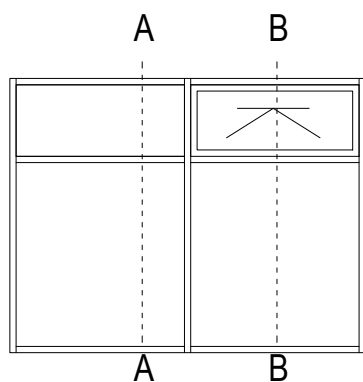
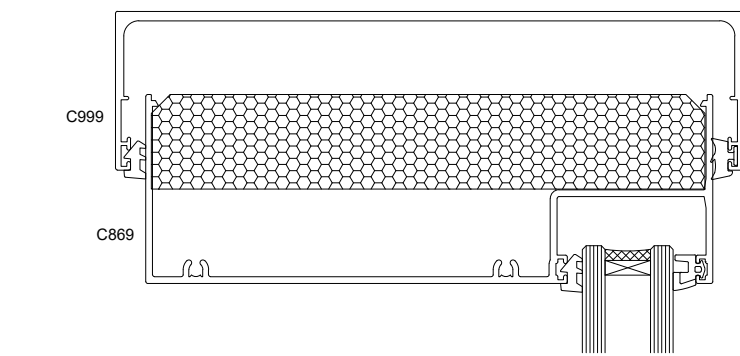


## 100mm REAR GLAZE WIDE DOOR STILES

FAIRVIEW SYSTEMS LIMITED SPECIFIERS GUIDE 2014 © TECHNICAL SPECIFICATIONS & PROFILE DETAILS SUBJECT TO CHANGE WITHOUT NOTICE

### FAIRVIEW 50 COMMERCIAL FULL SUITE

DATE 14.06.2018	SCALE 1:2
REF. RG100.1069	



ALTERNATIVE SILL

**SECTION A-A**

**SECTION B-B**

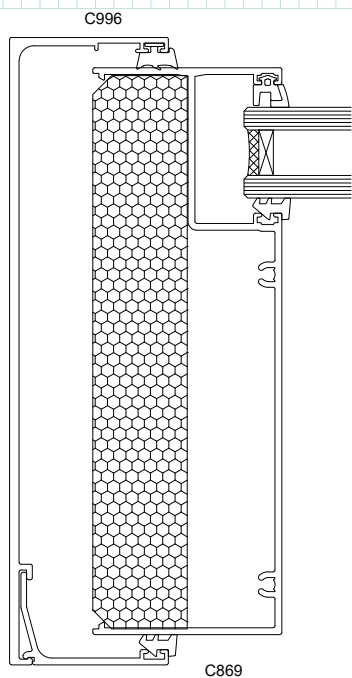
PROFILES SHOWN IN DASHED LINES ARE SUBJECT TO SPECIAL ORDER ONLY, CONSULT FAIRVIEW SYSTEMS FOR INFO

## 150mm REAR GLAZE FIXED GLAZING WINDOW

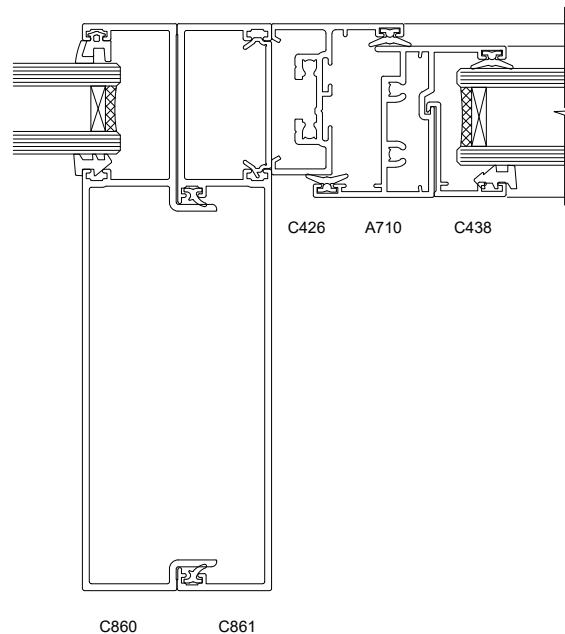
FAIRVIEW SYSTEMS LIMITED SPECIFIERS GUIDE 2014 © TECHNICAL SPECIFICATIONS & PROFILE DETAILS SUBJECT TO CHANGE WITHOUT NOTICE

**FAIRVIEW 50 COMMERCIAL FULL SUITE**

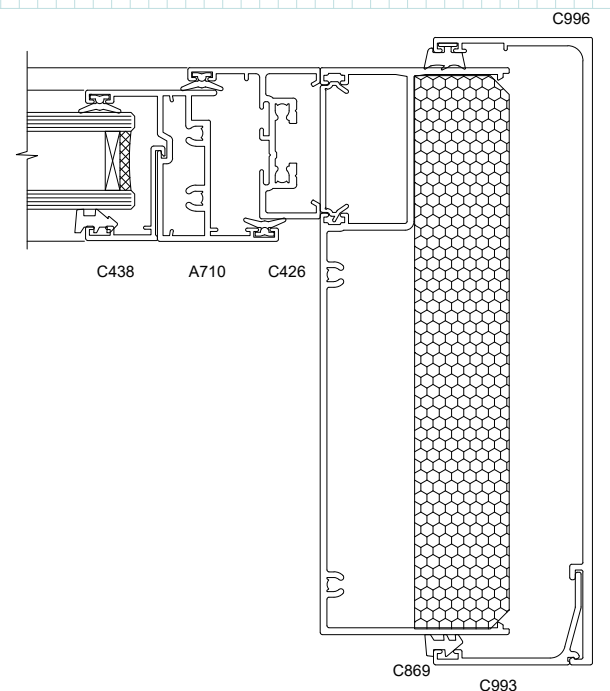
DATE 14.06.2018	SCALE 1:2
REF. RG150.1070	



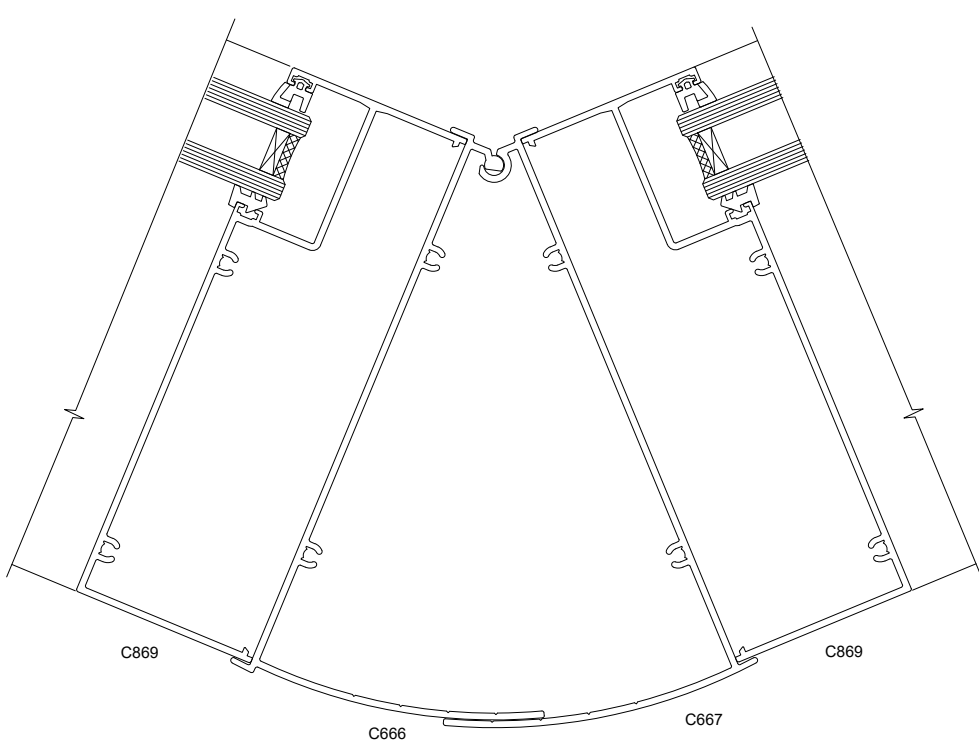
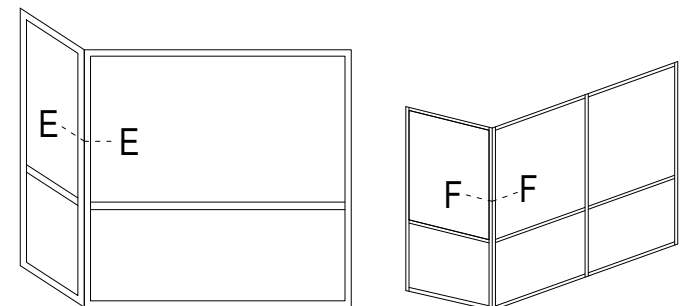
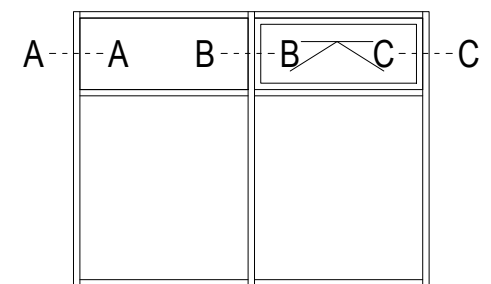
**SECTION A-A**



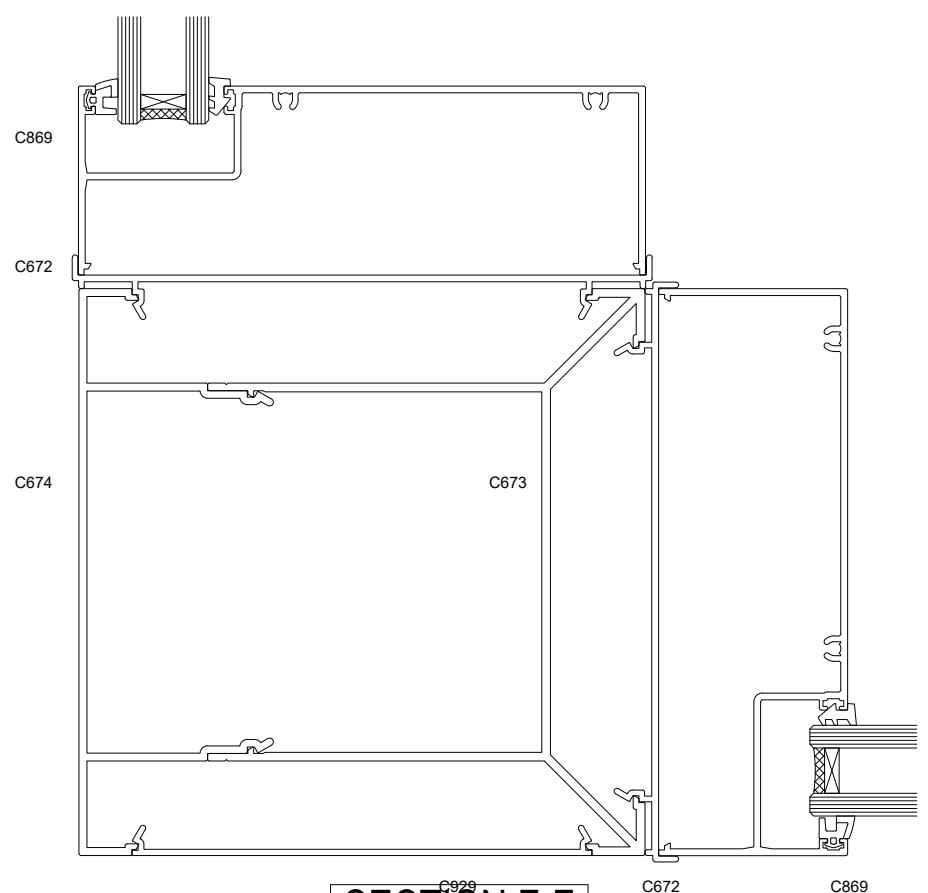
**SECTION B-B**



**SECTION C-C**



**SECTION E-E**



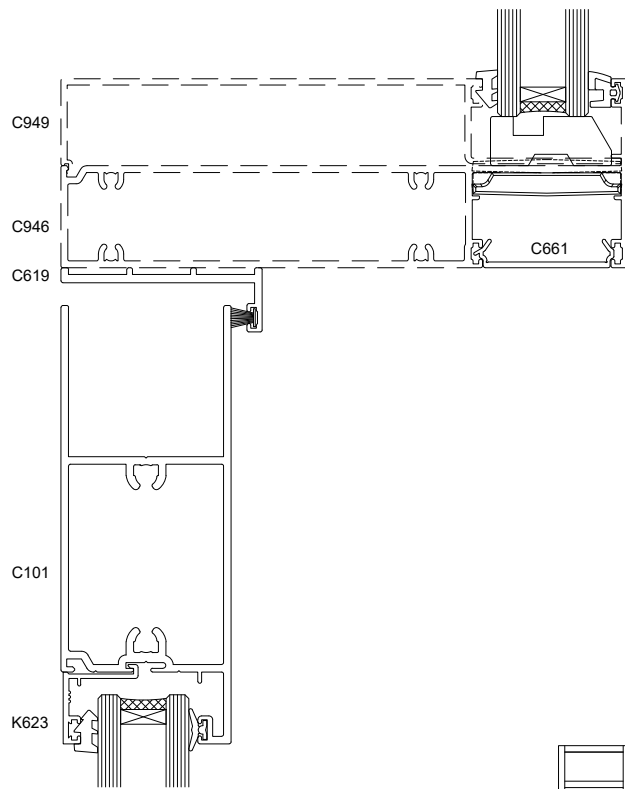
**SECTION F-F**

## 150mm REAR GLAZE FIXED GLAZING WINDOW

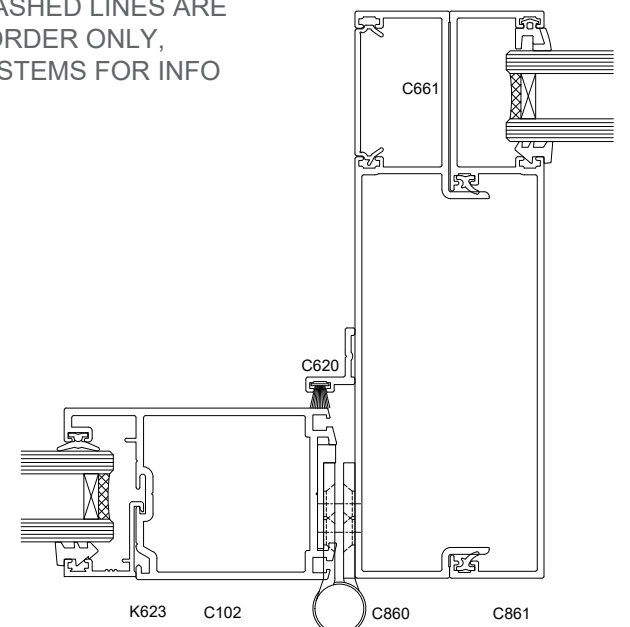
FAIRVIEW SYSTEMS LIMITED SPECIFIERS GUIDE 2014 © TECHNICAL SPECIFICATIONS & PROFILE DETAILS SUBJECT TO CHANGE WITHOUT NOTICE

**FAIRVIEW 50 COMMERCIAL FULL SUITE**

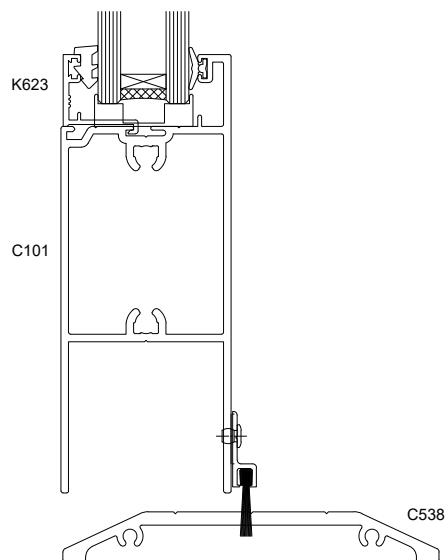
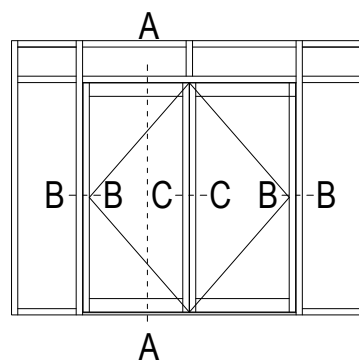
DATE 14.06.2018	SCALE 1:2
REF. RG150.1071	



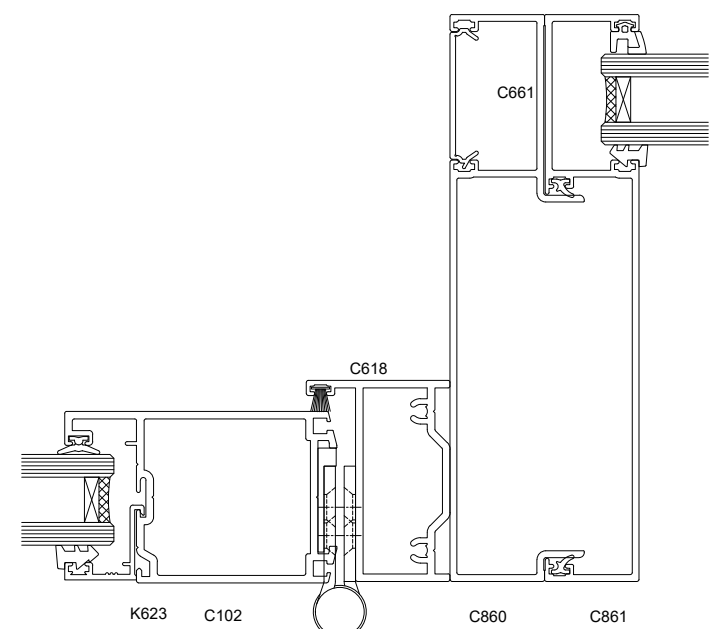
PROFILES SHOWN IN DASHED LINES ARE SUBJECT TO SPECIAL ORDER ONLY, CONSULT FAIRVIEW SYSTEMS FOR INFO



SECTION B-B

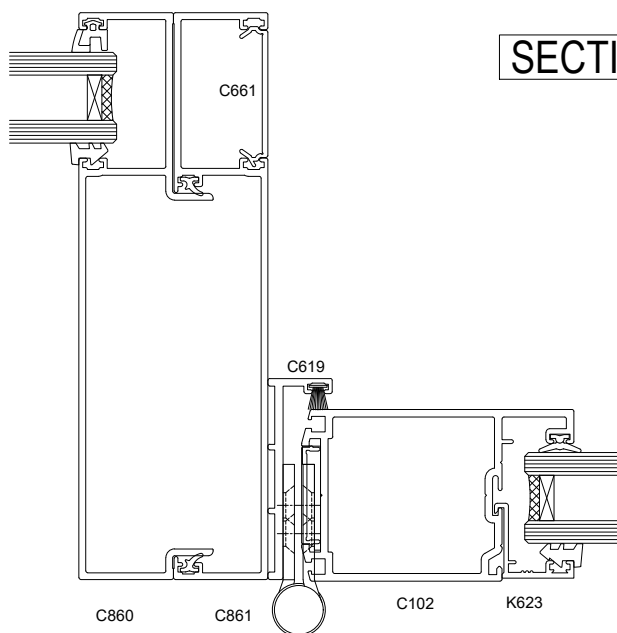


SECTION A-A

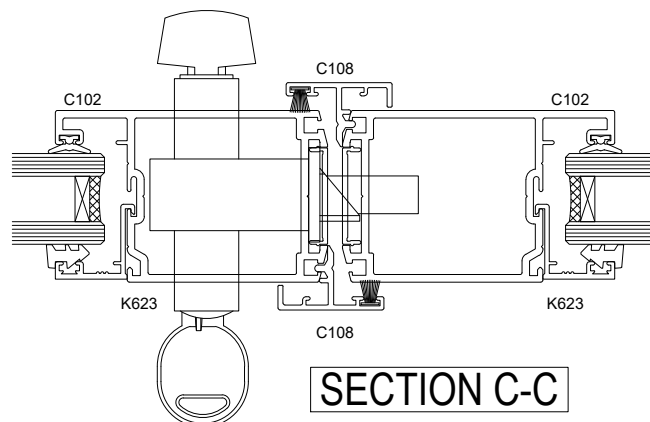


SECTION B-B

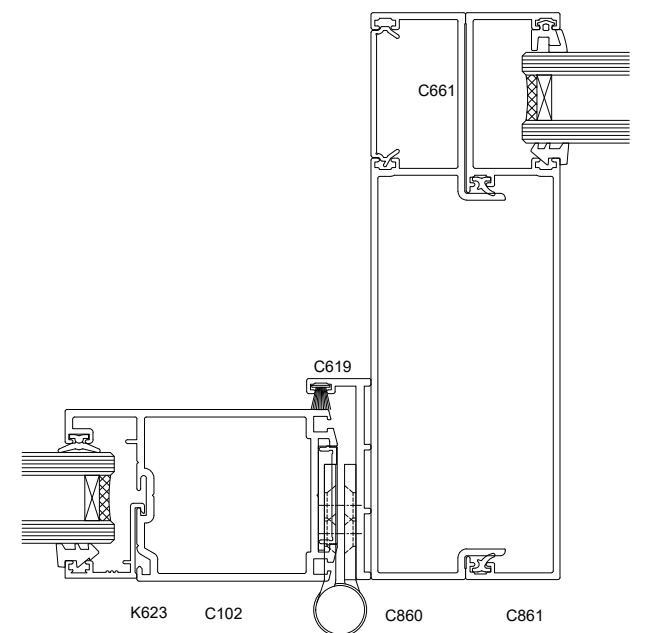
DETAILS SHOWN ARE NON-WEATHERED SILLS. FOR WEATHERED SILL DETAILS PLEASE CONTACT FAIRVIEW SYSTEMS LTD.



SECTION B-B



SECTION C-C



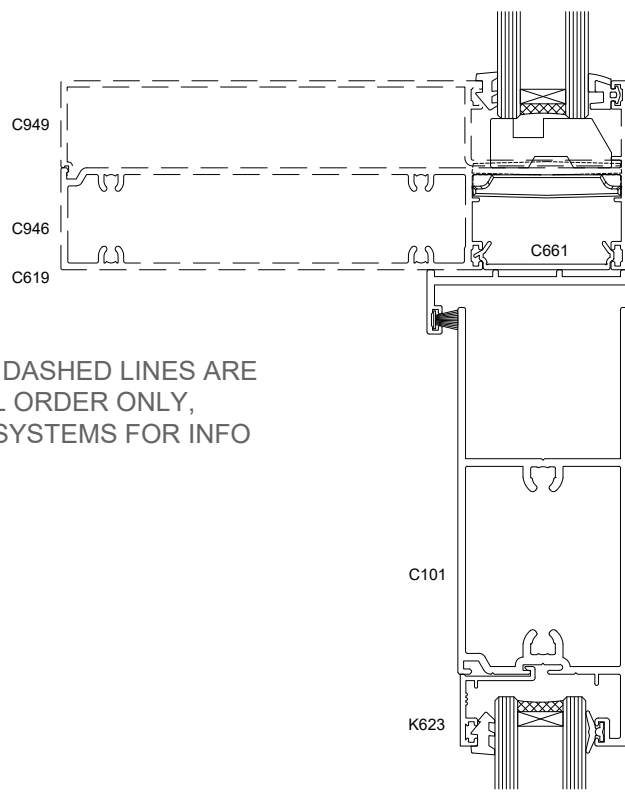
SECTION B-B

## 150mm REAR GLAZE HINGED DOOR OPEN OUT

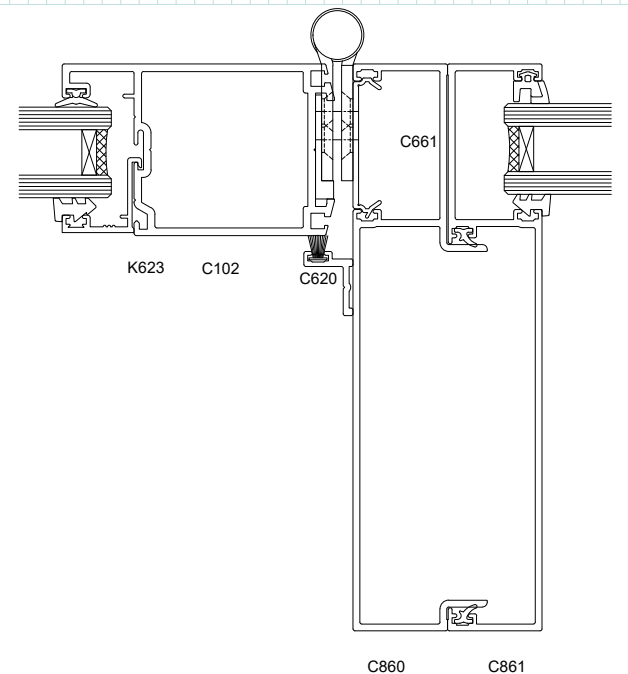
FAIRVIEW SYSTEMS LIMITED SPECIFIERS GUIDE 2014 © TECHNICAL SPECIFICATIONS & PROFILE DETAILS SUBJECT TO CHANGE WITHOUT NOTICE

FAIRVIEW 50 COMMERCIAL FULL SUITE

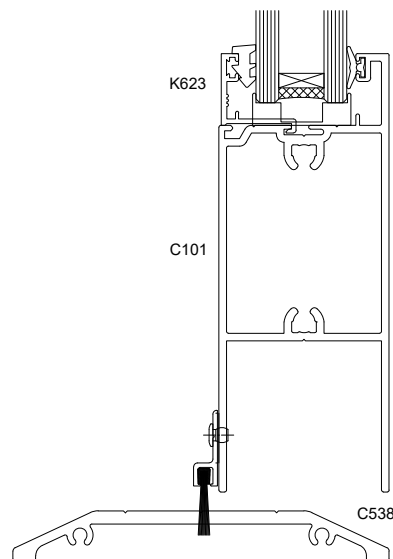
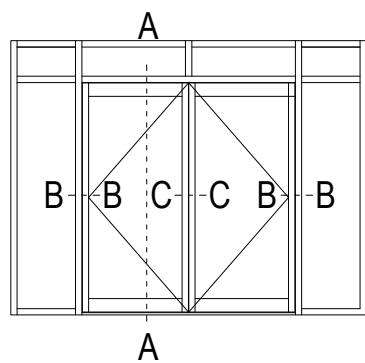
DATE 14.06.2018	SCALE 1:2
REF. RG150.1072	



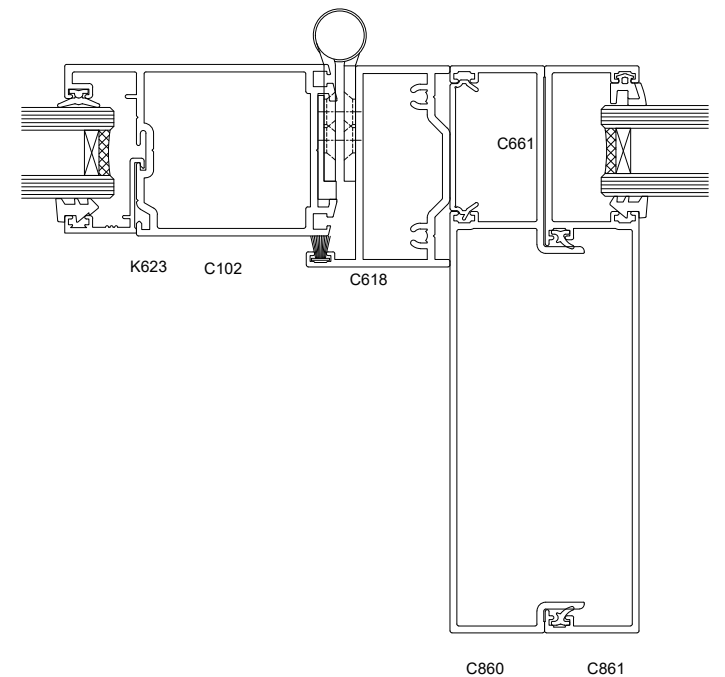
PROFILES SHOWN IN DASHED LINES ARE SUBJECT TO SPECIAL ORDER ONLY, CONSULT FAIRVIEW SYSTEMS FOR INFO



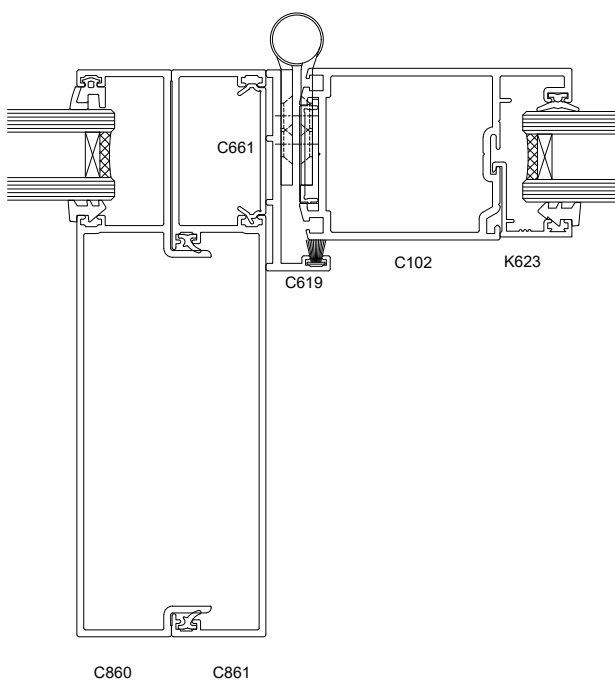
**SECTION B-B**



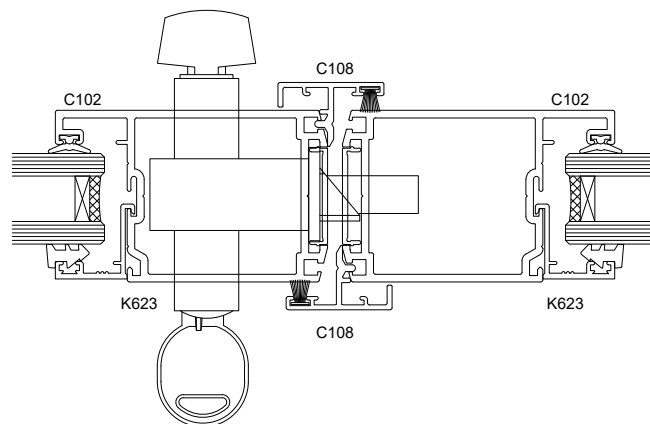
**SECTION A-A**



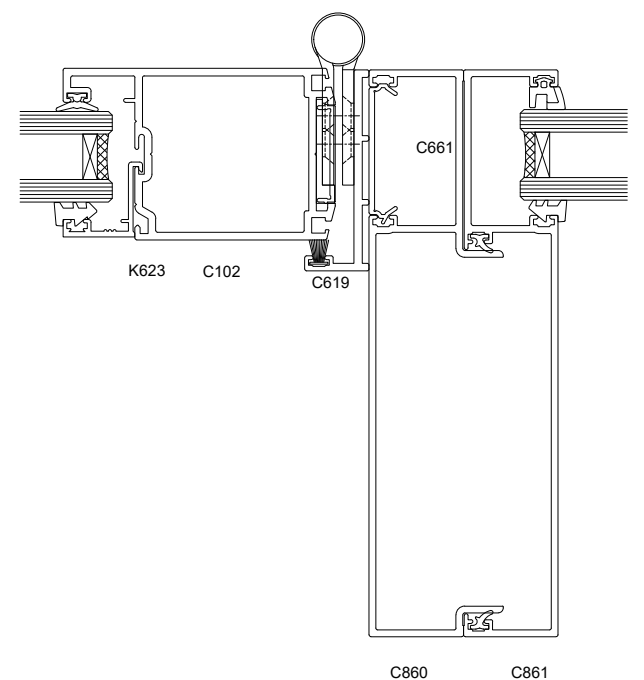
**SECTION B-B**



**SECTION B-B**



**SECTION C-C**



**SECTION B-B**

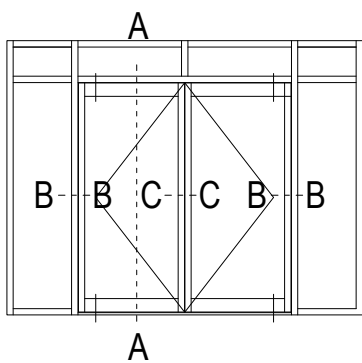
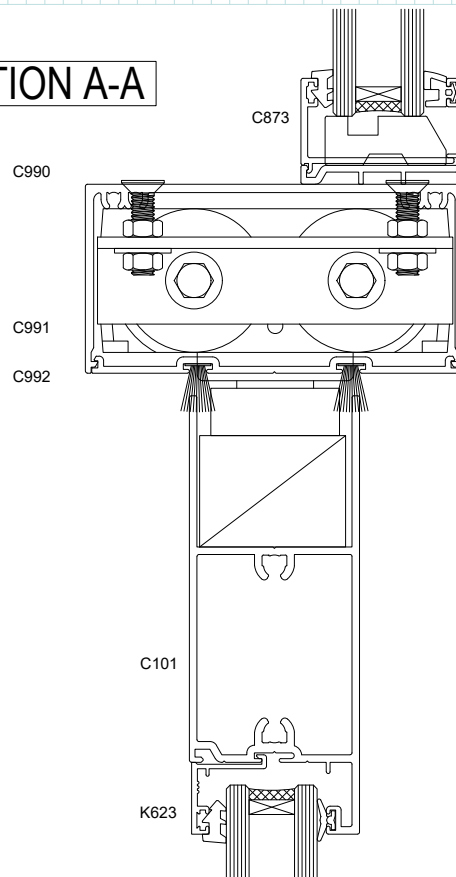
## 150mm REAR GLAZE HINGED DOOR OPEN IN

FAIRVIEW SYSTEMS LIMITED SPECIFIERS GUIDE 2014 © TECHNICAL SPECIFICATIONS & PROFILE DETAILS SUBJECT TO CHANGE WITHOUT NOTICE

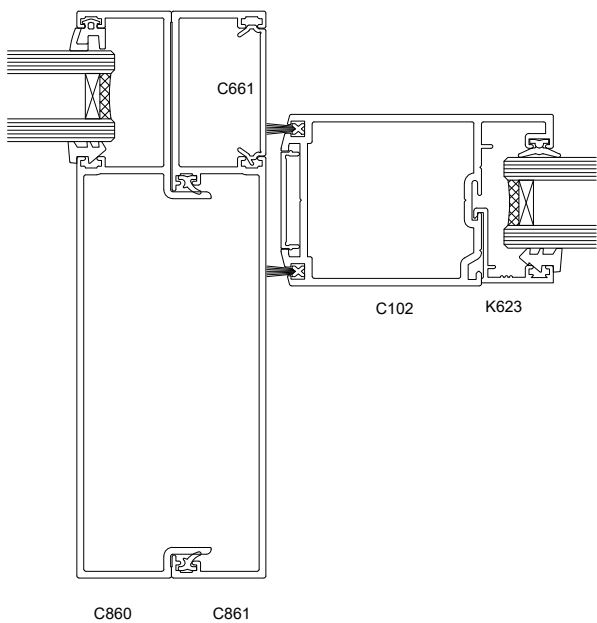
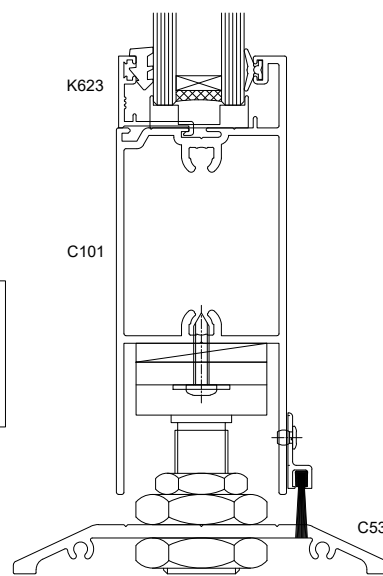
### FAIRVIEW 50 COMMERCIAL FULL SUITE

DATE 14.06.2018	SCALE 1:2
REF. RG150.1073	

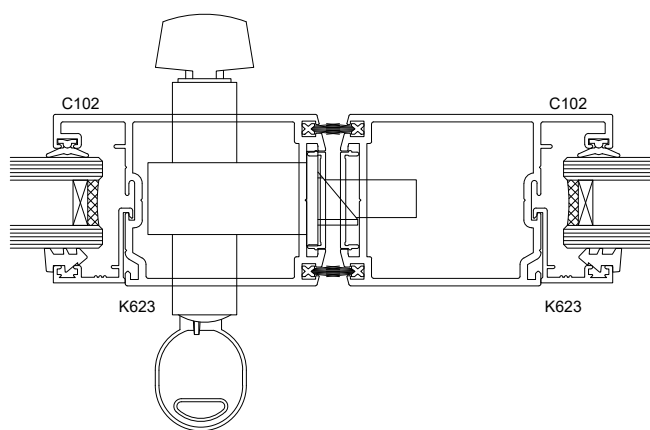
### SECTION A-A



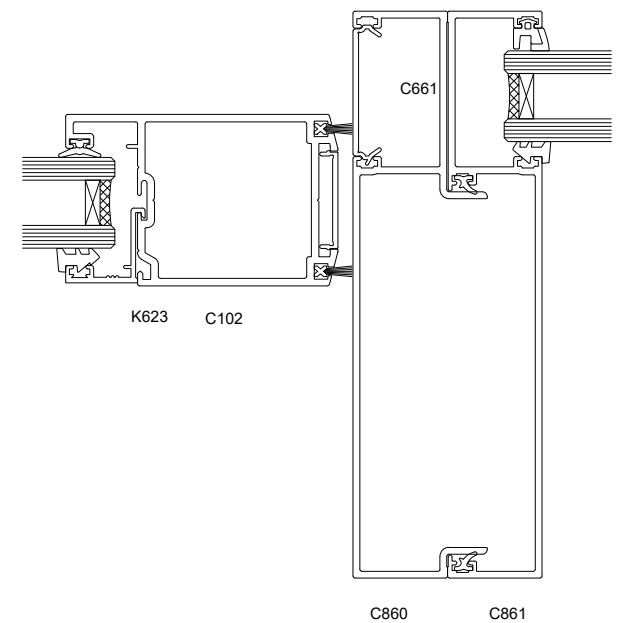
DETAILS SHOWN ARE  
NON-WEATHERED SILLS. FOR  
WEATHERED SILL DETAILS  
PLEASE CONTACT FAIRVIEW  
SYSTEMS LTD.



### SECTION B-B



### SECTION C-C



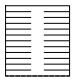
### SECTION B-B

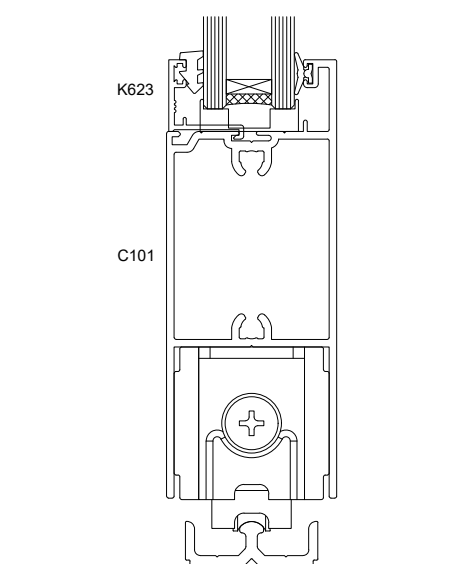
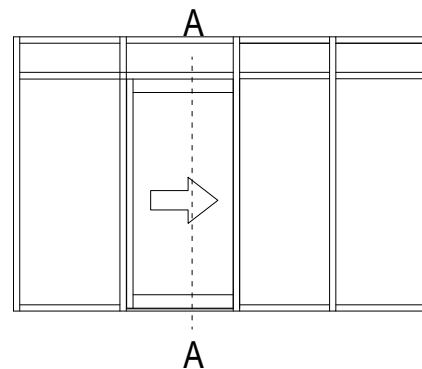
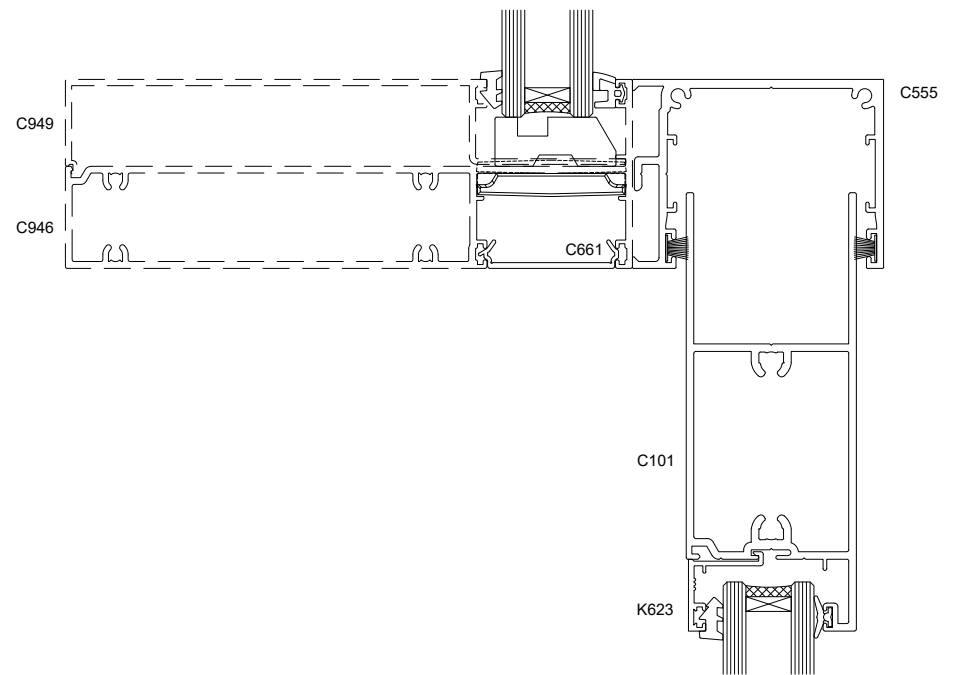
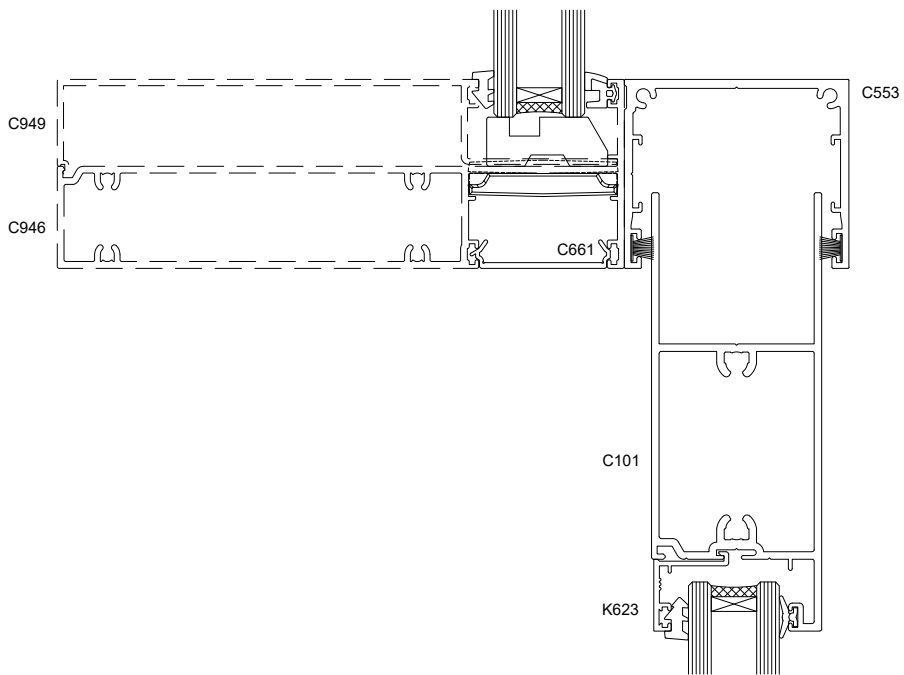
## 150mm REAR GLAZE PIVOT DOOR

FAIRVIEW SYSTEMS LIMITED SPECIFIERS GUIDE 2014 © TECHNICAL SPECIFICATIONS & PROFILE DETAILS SUBJECT TO CHANGE WITHOUT NOTICE

### FAIRVIEW 50 COMMERCIAL FULL SUITE

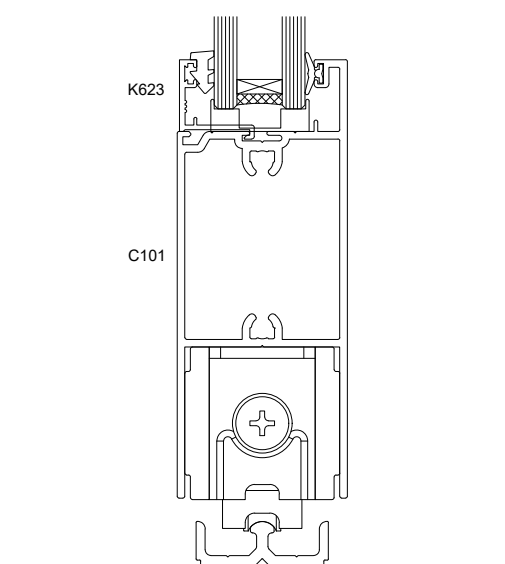
DATE 14.06.2018	SCALE 1:2
REF. RG150.1074	


 PROFILES SHOWN IN DASHED LINES ARE  
 SUBJECT TO SPECIAL ORDER ONLY,  
 CONSULT FAIRVIEW SYSTEMS FOR INFO



SECTION A-A

NON-INTERLOCKED



SECTION A-A

INTERLOCKED

DETAILS SHOWN ARE  
 NON-WEATHERED SILLS. FOR  
 WEATHERED SILL DETAILS  
 PLEASE CONTACT FAIRVIEW  
 SYSTEMS LTD.

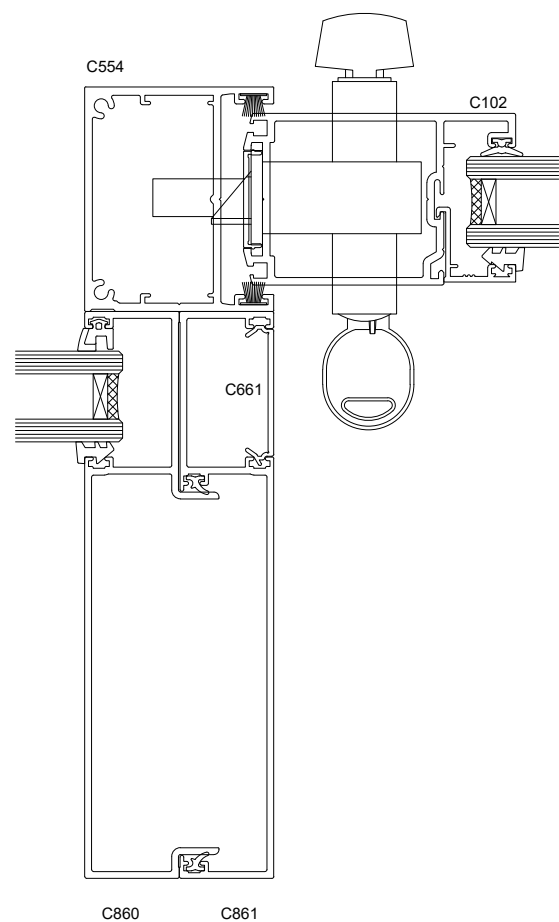
## 150mm REAR GLAZE SLIDING DOOR

FAIRVIEW SYSTEMS LIMITED SPECIFIERS GUIDE 2014 © TECHNICAL SPECIFICATIONS & PROFILE DETAILS SUBJECT TO CHANGE WITHOUT NOTICE

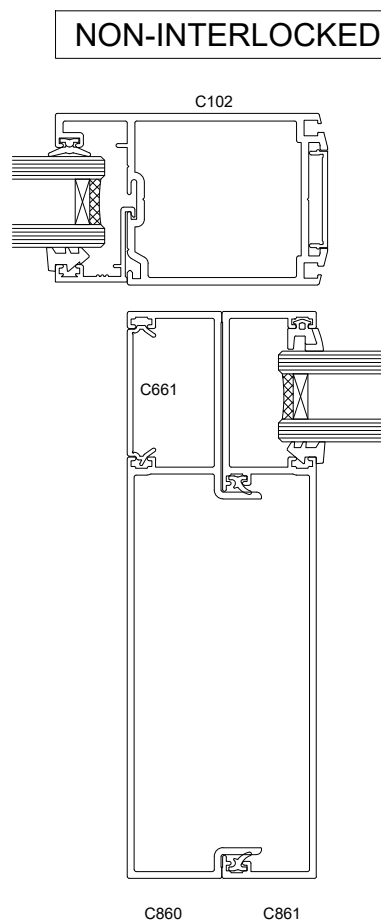
FAIRVIEW 50 COMMERCIAL FULL SUITE

DATE 14.06.2018	SCALE 1:2
REF. RG150.1075	

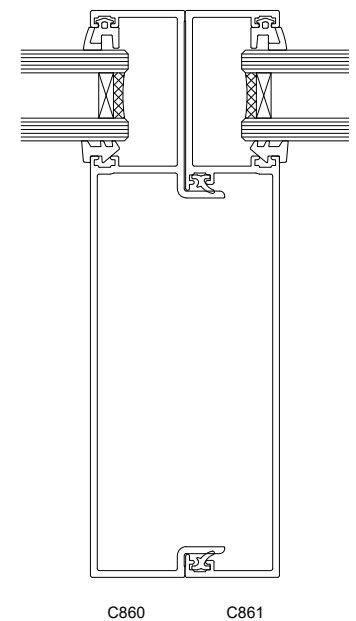




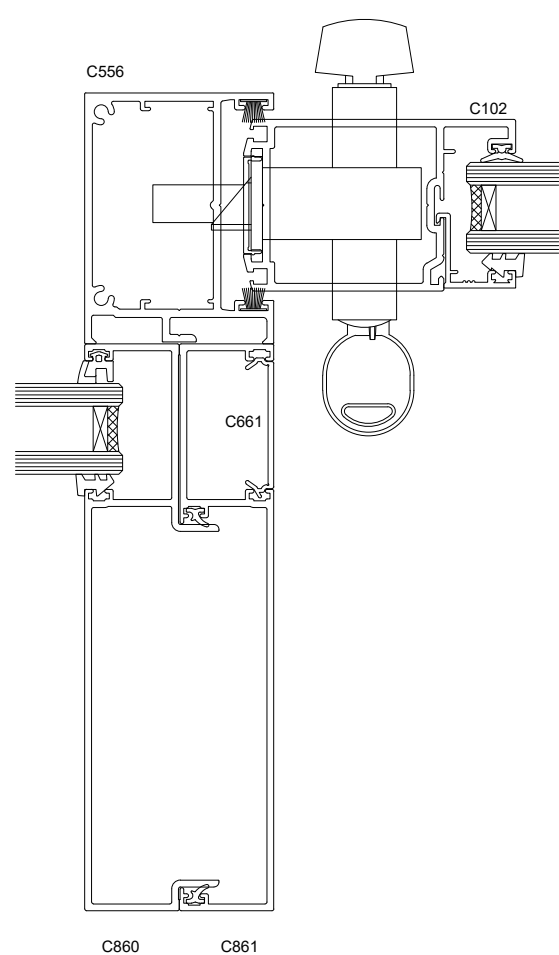
SECTION A-A



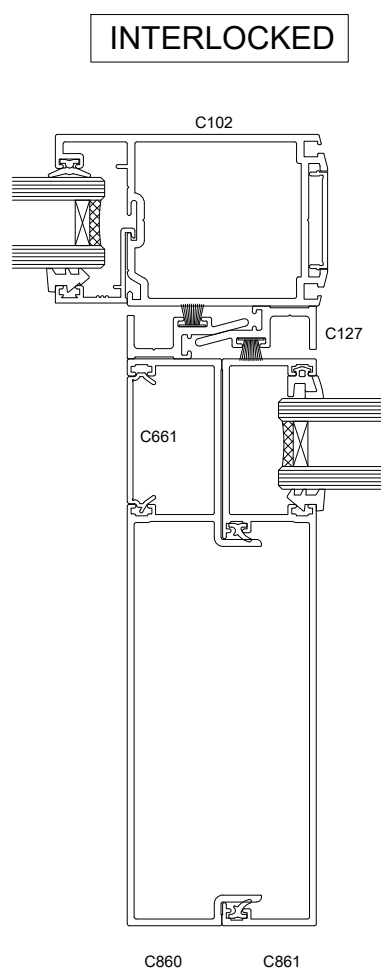
SECTION B-B



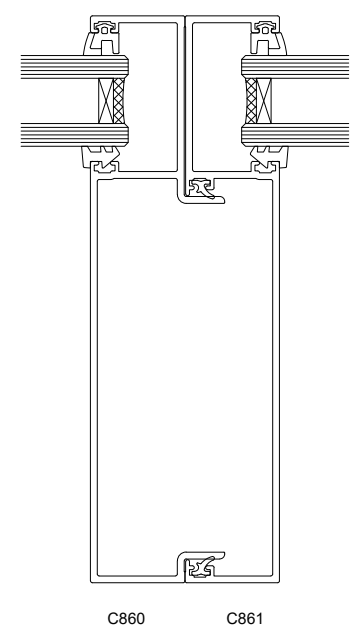
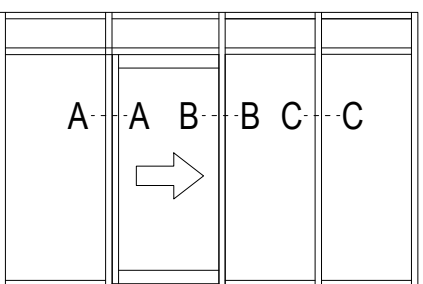
SECTION C-C



SECTION A-A



SECTION B-B



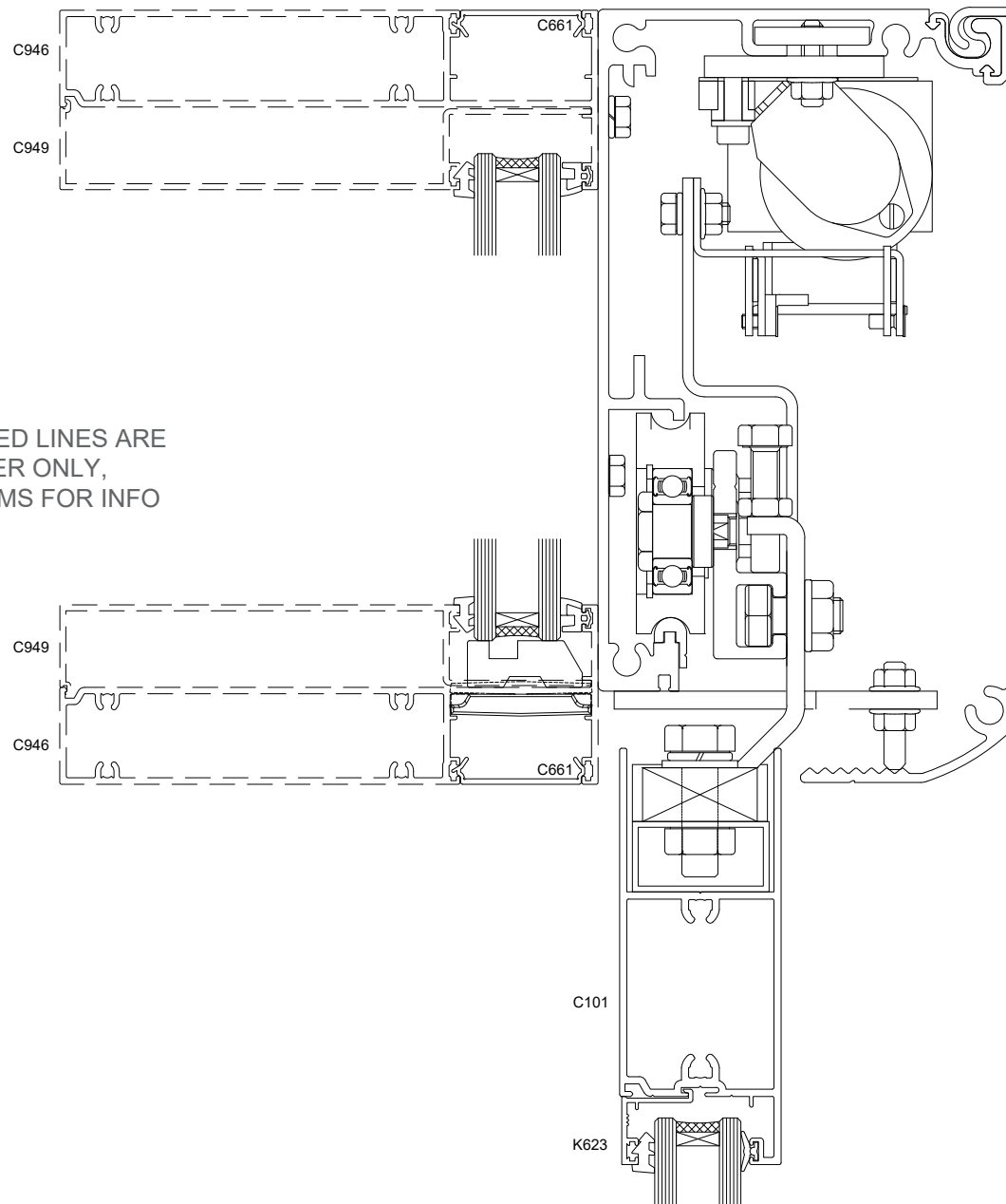
SECTION C-C

### 150mm REAR GLAZE SLIDING DOOR

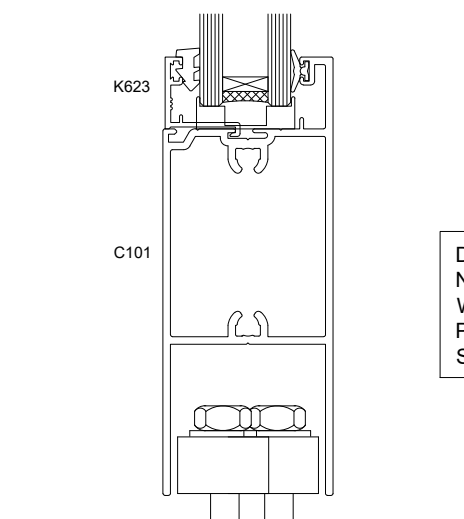
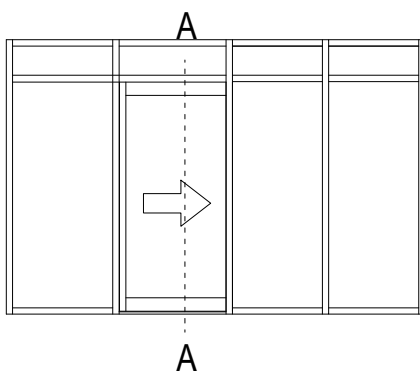
FAIRVIEW SYSTEMS LIMITED SPECIFIERS GUIDE 2014 © TECHNICAL SPECIFICATIONS & PROFILE DETAILS SUBJECT TO CHANGE WITHOUT NOTICE

FAIRVIEW 50 COMMERCIAL FULL SUITE

DATE 14.06.2018	SCALE 1:2
REF. RG150.1076	



PROFILES SHOWN IN DASHED LINES ARE SUBJECT TO SPECIAL ORDER ONLY, CONSULT FAIRVIEW SYSTEMS FOR INFO



DETAILS SHOWN ARE NON-WEATHERED SILLS. FOR WEATHERED SILL DETAILS PLEASE CONTACT FAIRVIEW SYSTEMS LTD.

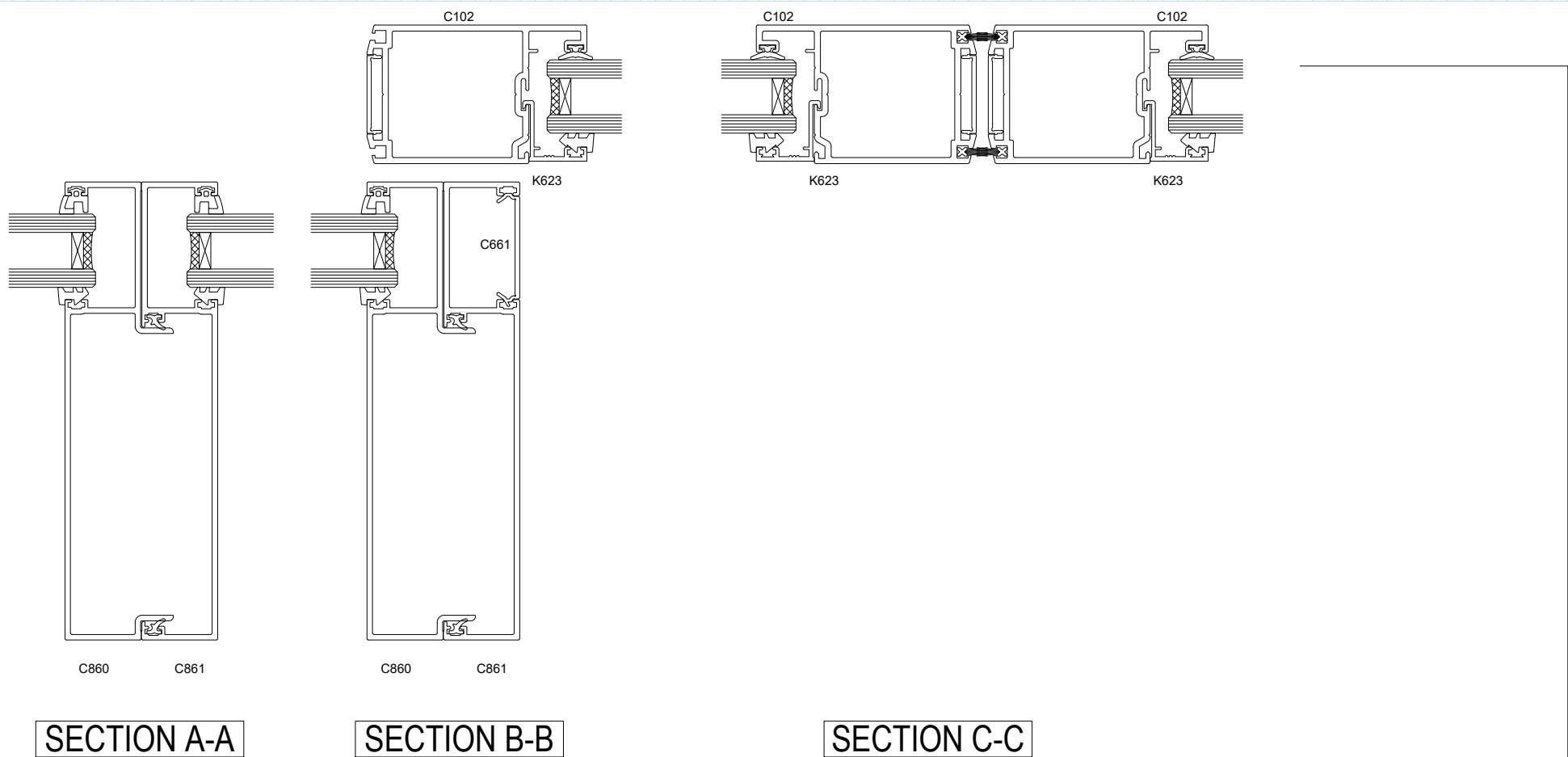
**SECTION A-A**

## 150mm REAR GLAZE AUTO SLIDING DOOR

FAIRVIEW SYSTEMS LIMITED SPECIFIERS GUIDE 2014 © TECHNICAL SPECIFICATIONS & PROFILE DETAILS SUBJECT TO CHANGE WITHOUT NOTICE

**FAIRVIEW 50 COMMERCIAL FULL SUITE**

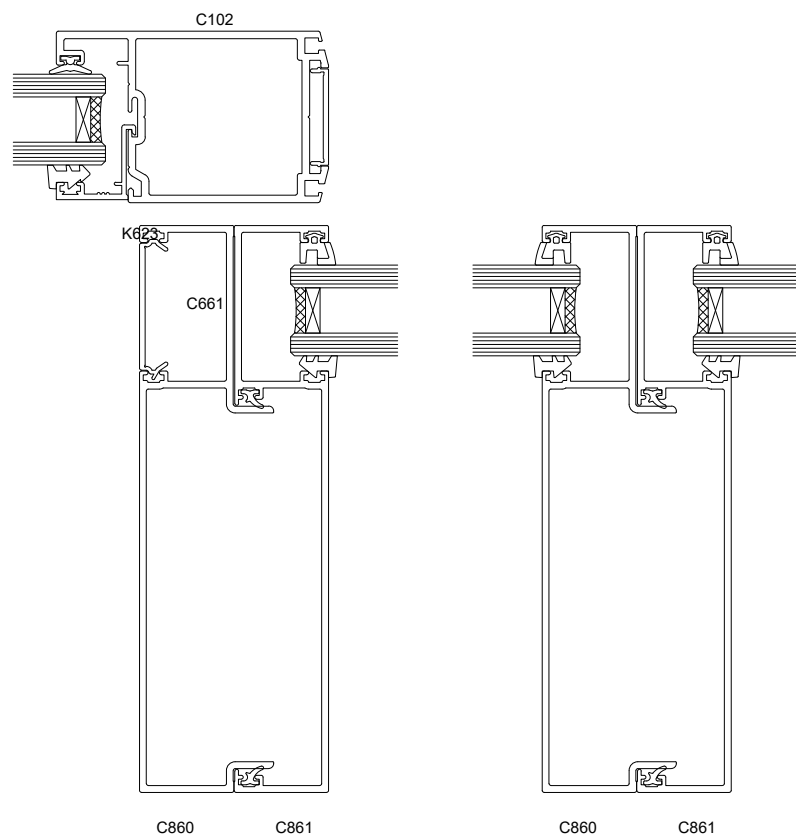
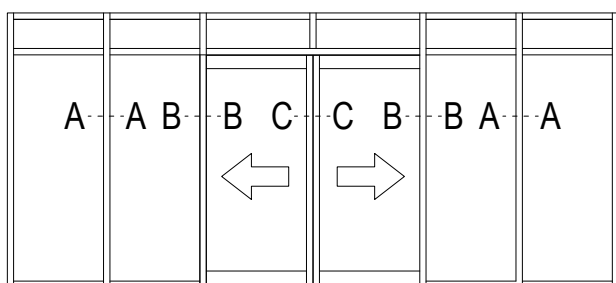
DATE 14.06.2018	SCALE 1:2
REF. RG150.1077	



SECTION A-A

SECTION B-B

SECTION C-C



SECTION B-B

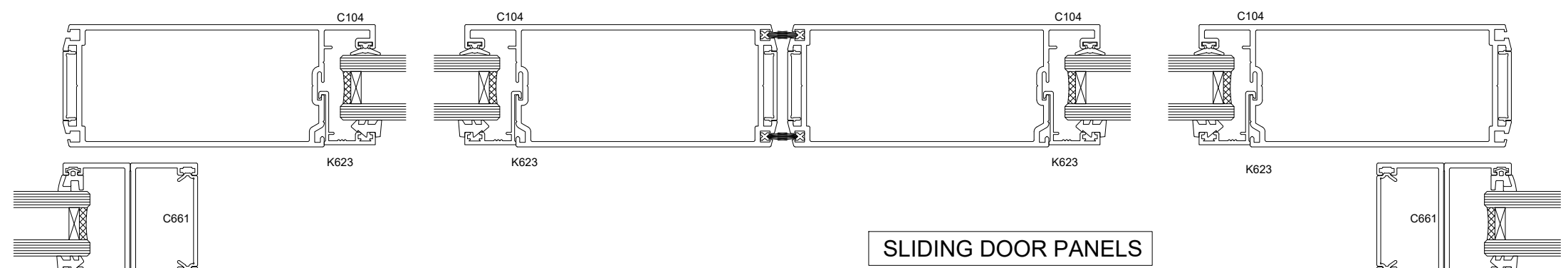
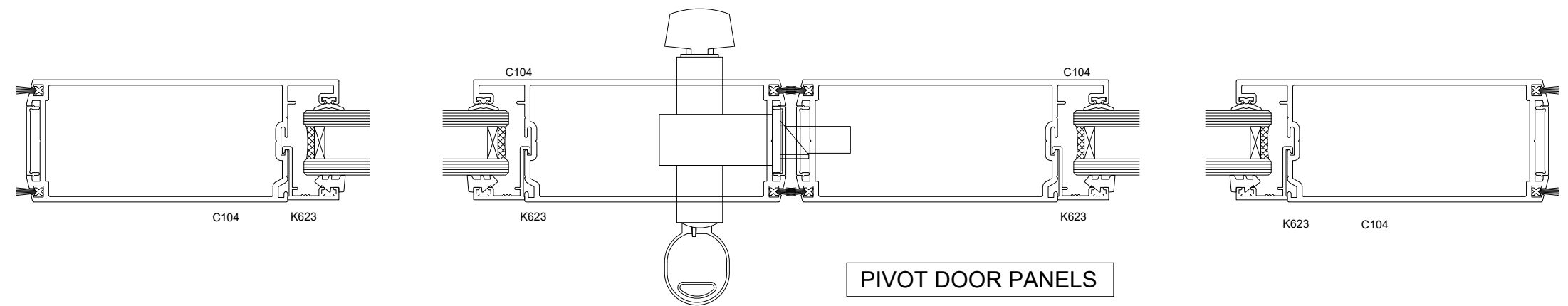
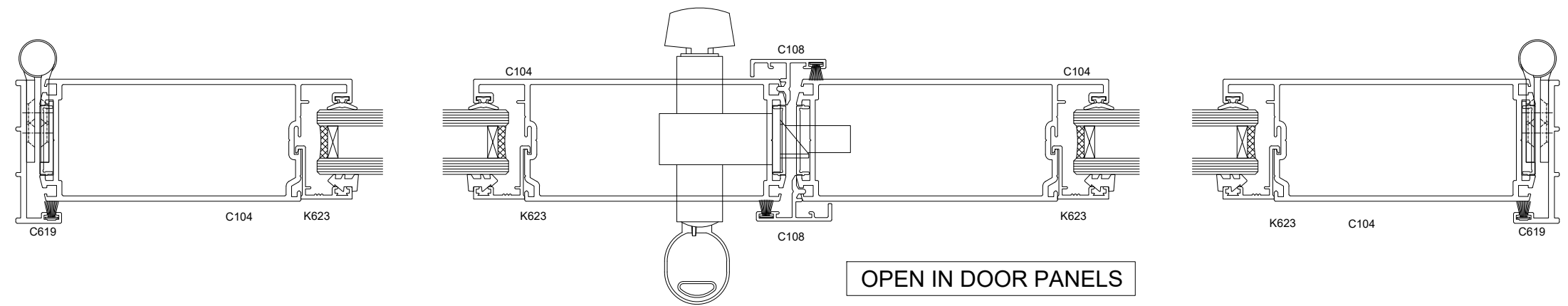
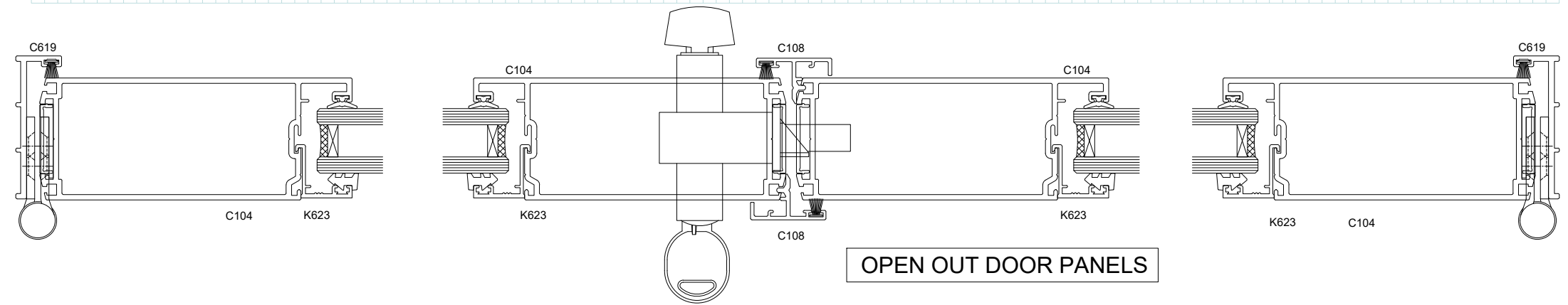
SECTION A-A

## 150mm REAR GLAZE AUTO SLIDING DOOR

FAIRVIEW SYSTEMS LIMITED SPECIFIERS GUIDE 2014 © TECHNICAL SPECIFICATIONS & PROFILE DETAILS SUBJECT TO CHANGE WITHOUT NOTICE

FAIRVIEW 50 COMMERCIAL FULL SUITE

DATE 14.06.2018	SCALE 1:2
REF. RG150.1078	



## 150mm REAR GLAZE WIDE DOOR STILES

FAIRVIEW SYSTEMS LIMITED SPECIFIERS GUIDE 2014 © TECHNICAL SPECIFICATIONS & PROFILE DETAILS SUBJECT TO CHANGE WITHOUT NOTICE

FAIRVIEW 50 COMMERCIAL FULL SUITE

DATE 14.06.2018	SCALE 1:2
REF. RG150.1079	