



 JURALCO

JURALCO HOMESTEAD[®] BALUSTRADE SYSTEM

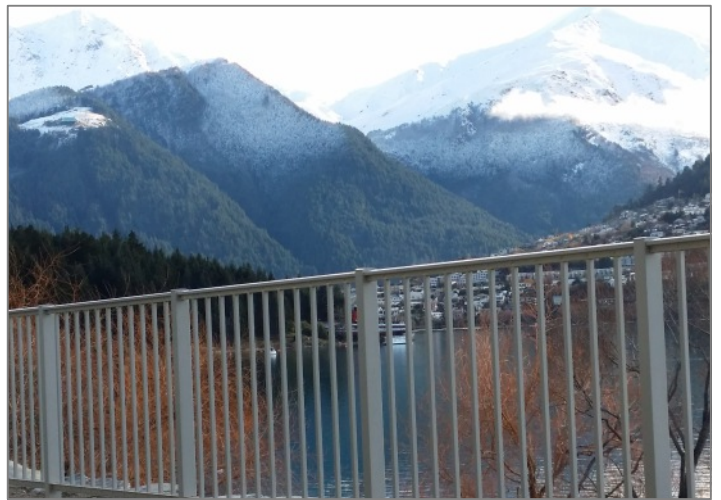
ISSUE 3-26 v1
26.03.26

Juralco Homestead® Balustrade System

Juralco Aluminium Building Products Ltd designs and distributes specialist aluminium joinery systems through a national network of franchised fabricators and agents.

For more than 25 years we have been at the forefront of specialist aluminium door and window products suitable for New Zealand joinery and building methods. Our comprehensive product range includes security and insect screens, balustrades and gates, shutters and awnings, shower screens, wardrobe doors and organisers and internal doors.

The Juralco Homestead® Balustrade System combines a contemporary Aluminium frame with adjustable racking angle for stairs . The system is extremely versatile and can be installed in a range of configurations with powder-coat colours to meet most modern architectural requirements.



Typical Homestead Balustrade installations.



Juralco Homestead® Balustrade System

Complies With AS/NZS 1170:2002, NZ Building Code Clauses B1, B2, and F4

Juralco Homestead® Balustrade is for Domestic and Residential Occupancy types A, A Other and C3 only

Code	Type of Occupancy for part of the building or structure	Specific Uses
A	Domestic and Residential activities	All areas within or serving exclusively one dwelling including stairs, landings etc, but excluding external balconies and edges of roofs. (see C3)
A Other, C3	Areas without obstacles for moving people and not susceptible to over crowding	Stairs, landings, external balconies, edges of roofs etc.

Juralco Homestead® Balustrade is not suitable for Commercial C3 applications

Note 1 Juralco Balustrade Systems building code compliance documentation requires all balustrade installations are to be completed in accordance with the requirements of our authorised installer certification.

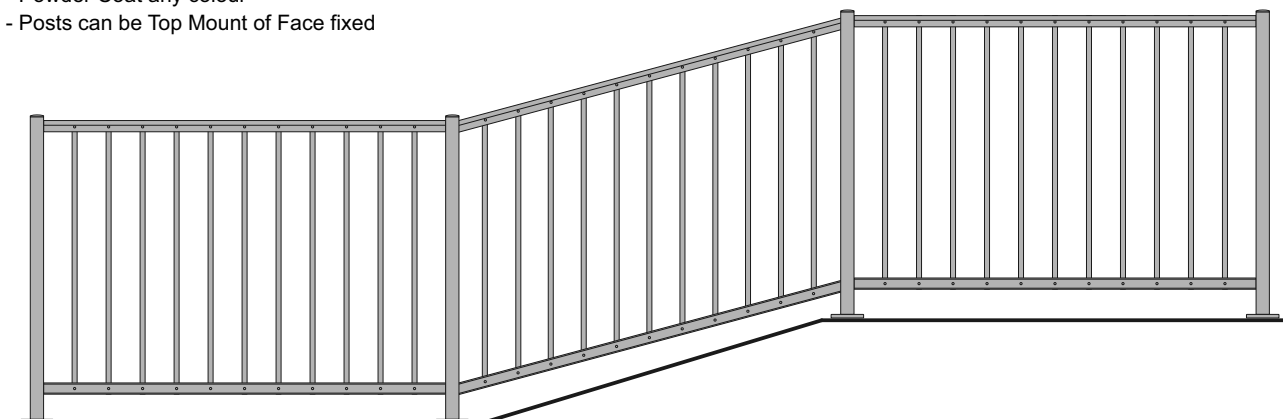
masterspec partner
Section 4852JB

Index

Type	Pages	Description.	Use the Bookmarks List to jump to selected pages
Specifications	4	Juralco standard specification sheet and Powder coating recommendations	
Materials	5 - 8	All Extrusions and Components	
Components	9 - 10	Shows possible racking dimensions to 35 deg	
Attachment	11-12	Shows attachment details Edge Post and Wooden Post to Balustrade	
Post Mountings	13	Shows Top and Face fix mount types	
Mountings	14 - 30	Shows Mounting details - For Timber (p14-18), Steel (19-25) and Concrete (p26-29).	
	30- 34	Shows Mounting details. Older Timber structures pre NZS3604:2011	
Powder Coat Care	35	Information on the care of Powder Coat surfaces	

Features.

- Single Panel size - 1360mm long x 975mm high.
- Panels can be used at any angle up to about 35deg, including stairs.
- Conforms to NZ building Code and AS/NZ1170 regulations
- Suitable for Extra High Wind Zone
- Not suitable for Gates
- Powder Coat any colour
- Posts can be Top Mount or Face fixed



Juralco Homestead® Balustrade System - Specifications, Powder Coating

Juralco Aluminium Building Products Ltd (JABP)

Specifications for Juralco Homestead® Balustrade System

1. Scope

- This specification details the documents the Juralco Homestead® Balustrade System refers to in relation to the New Zealand Building Code, the manufacturer's documents, products used in the System, requirements in relation to fixing and surface finishing.

2. NZBC Compliance

- The Juralco Homestead® Balustrade System has been reviewed by Lautrec Technology Group Ltd to demonstrate compliance with the structural requirements of the New Zealand Building Code and AS/NZS 1170 : 2002 occupancy A, A Other and C3, NZS 3604 Low, Medium, High, Very High and Extra High Wind Zones max design wind pressure 2.5KPa
- The Structural Engineering design includes the requirements of B1 Structure, B2 Durability and F4 Safety from falling, all from the Building Code.
- Verification Method B1 / VM1, B2/AS1, F4 / AS1

3. Manufacturer's Documents

- The Juralco Homestead® Balustrade System manual details all extrusions and components used for the fabrication and installation/fixing of the system.
- A Producer Statement 1(Design) is available.
Copies of the above documents are available from:
Juralco Aluminium Building Products Ltd
48 Bruce McLaren Rd, Henderson, Auckland
Phone 09 478 8018 Fax 09 478 7883 Email specify@juralco.co.nz
- Any deviation from the standard fabrication or installation/fixing must be accompanied by a site specific PS1 with site specific calculations and drawings; enquiries to Juralco for assistance.

4. Products

- Only extrusions, components and hardware supplied by or specified by JABP may be used in the Juralco Homestead® System
- Aluminium extrusions, components and hardware – unless specified are manufactured to 6060 T5 specifications
- Stainless Steel components, hardware, fixings – all components to 316 grade

5. Surface Finishing

- Juralco Aluminium Building Products Ltd is a Dulux Registered Applicator site, registration number 2101.
JABP uses only Dulux branded powder coating materials
- Dulux Duralloy® powder coating systems are suitable for properties greater than 100m from high tide level
AAMA 2603 performance. Residential buildings, 3 levels max. Warranty 10 yrs
- Dulux Duralloy Plus® powder coating systems are suitable for properties greater than 10m from high tide level.
AAMA 2603 performance. Residential and Light commercial buildings, 3 levels max. Warranty 15 yrs
- Dulux Duratec® powder coating systems are suitable for properties greater than 10m from high tide level
AAMA2603 and 2604 performance. All Residential and Commercial buildings. Warranty 25 yrs

6. Installation and Fixing

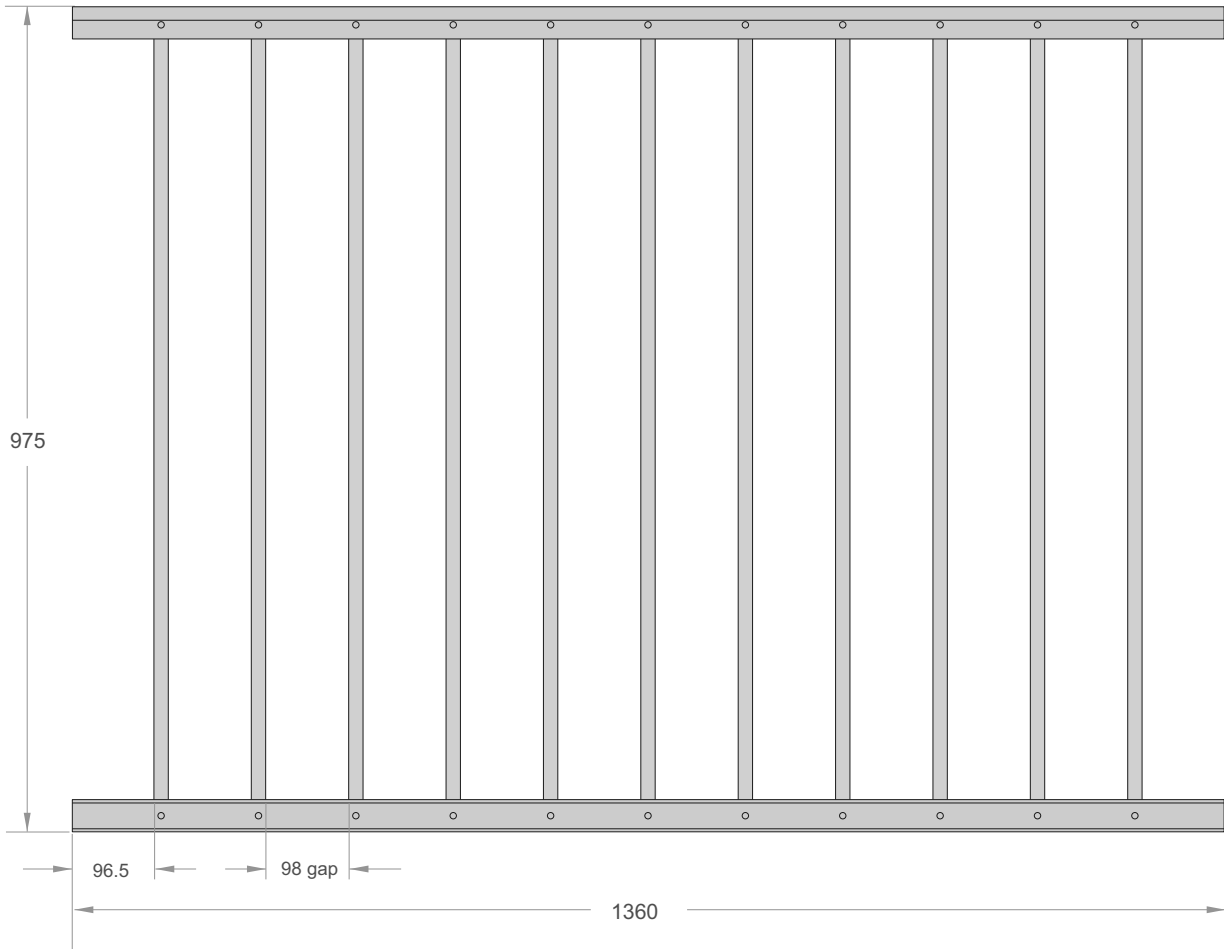
- The Juralco Homestead® Balustrade System must only be installed in accordance with the Juralco Homestead® Balustrade System manual
- Any deviation from that specified in the Juralco Homestead® Balustrade manual must only be in accordance with the site specific PS1 and with site specific calculations and drawings listing the non standard details
- The Juralco Homestead® Balustrade System must only be fabricated/installed by a Juralco approved fabricator
- Upon completion of the installation the fabricator must supply the owner with a PS3 (Construction)

New from Jan 2023. Important information - Powder Coating systems. The new standard Dulux powder coating systems used by Juralco are Duralloy®, Duralloy Plus® (new extended performance) and Duratec®. All as per specs above.
Note - Powder coated prices listed in Juralco price books are for the standard Duralloy® or Duralloy Plus® system (same pricing).
If the Duratec® system is required it must be specified upon placement of the order and will incur a surcharge – Duratec® prices on application.

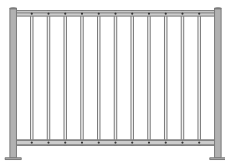
Important Information - Powder Coating Attachment to structures. A PVC Tape or similar material spacer must be used to separate powder coated aluminium items from all concrete and steel structures. Failure to do so can lead to the chemicals in the structure affecting the powder coating layer on the aluminium, leading to corrosion.

Powder Coating Care. The Dulux powder coating warranty period is conditional upon the surface being maintained in accordance with the Dulux 'Care and Maintenance Instructions'. Download from Dulux or refer to the back page of this manual.

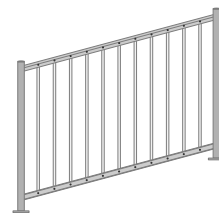
Juralco Homestead® Balustrade System



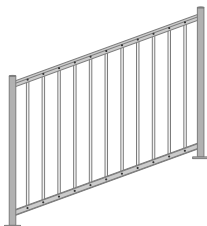
BALUSTRADE PANEL, RAKING
JGF/HS975



10 deg



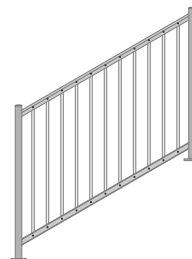
15 deg



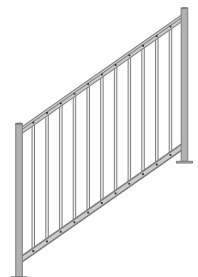
20 deg



25 deg



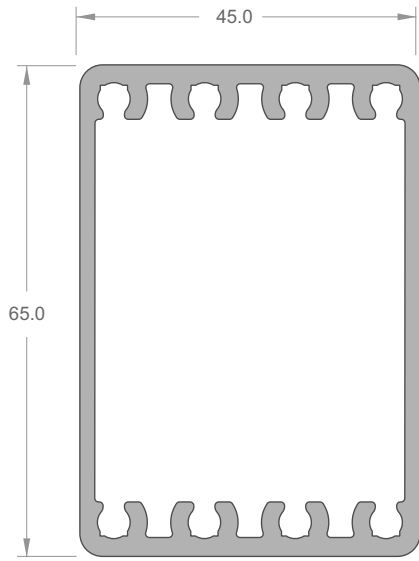
30 deg



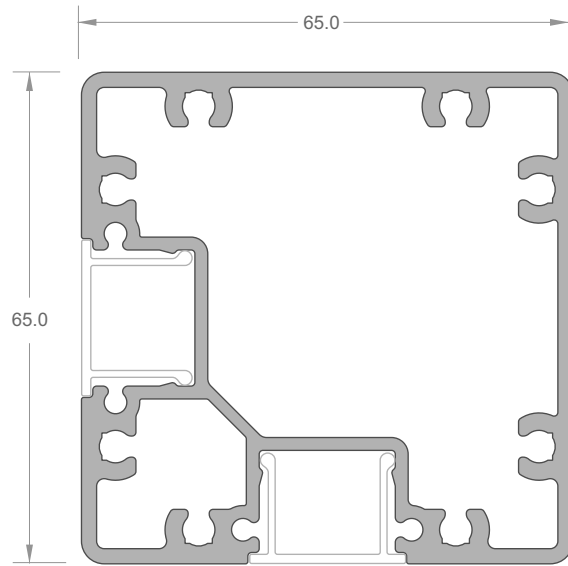
35 deg

Post and Mounts attached to Raking Panels

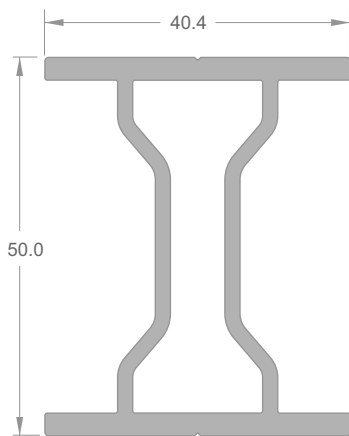
Juralco Homestead® Balustrade System - Extrusions



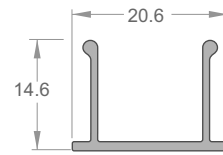
POST
JGF/215/5



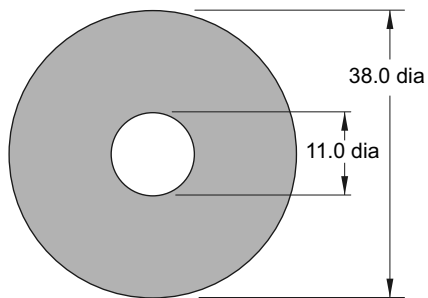
POCKETED CORNER POST
JEB/213/5



POST STIFFENER
JGF/213/5



STANDARD INFILL CLIP
JEB/206/5

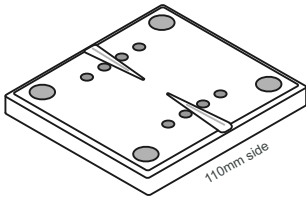


FACE FIX SPACER
JVB/125/1000

Juralco Homestead® Balustrade System - Components

Base plate
JEC200

Top Mount

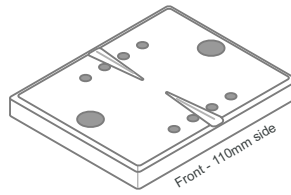


110mm x 100mm x 12mm - 4 x hole

Base plate
JEC201

Top Mount.

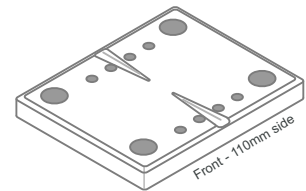
For Concrete and Steel only.



110mm x 90mm x 12mm - 2 x hole

Base plate
JEC221

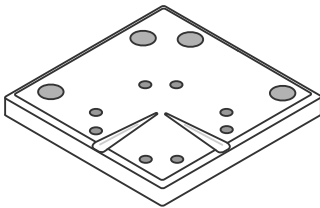
Top Mount



110mm x 90mm x 12mm - 4 x hole

Base plate - Corner Post
JEC222

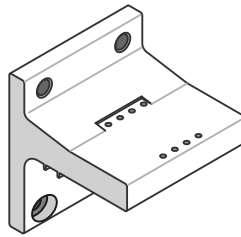
Top Mount



110mm x 110mm x 12mm - 4 x hole

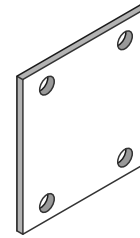
Gutter Bracket
JEC137/65

Top/Face
Mount



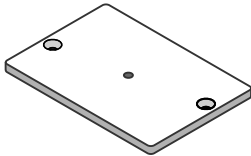
110mm wide x 135mm high - 4 x hole

Gutter Bracket Spacer
JEC139



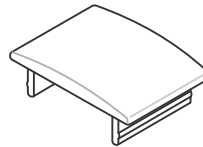
135mm x 120mm x 5mm thick

Post Bottom Cap
JEC16



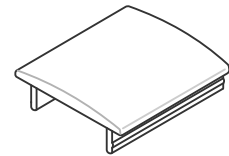
45mm x 65mm - Fits under face Fix Posts
Attach with No 6 x 12 C/S SS PK screws

Top Cap
JEC20



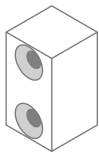
Fits over Post 65mm x 45mm

Top Cap - Corner Post
JEC27



Fits over Post. 66mm x 66mm

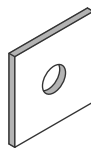
Attachment Block
JGF/HSBlock



17mm x 17mm x 30mm high

Square Washer
JVBSQWSH/40x40x3

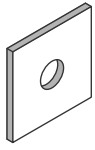
Face Fix



40mm sqx 3mm SS

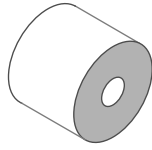
Juralco Homestead® Balustrade System - Components

Square Washer
JVBSQWSH/40x40x3



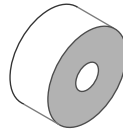
40mm sqx 3mm SS

Face Fix Spacer
JVB125/30mm



38mm dia x 30mm long.

Face Fix Spacer
JVB125/15mm



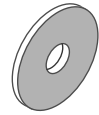
38mm dia x 15mm long.

Face Fix Spacer
JVB125/10mm



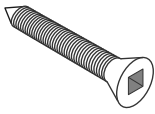
38mm dia x 10mm long.

EPDM Spacer Washer
JVB126



38mm dia x 3mm

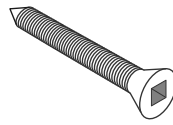
Attachment Block Screw
JHSHTSCREW/38x10



38mm SS HT PK C/S sq drive screw

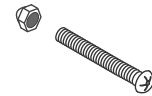
Base Attach Screw
JVBHTSCREW/50x10

This Screw **MUST** be used when attaching
Posts to Baseplates or Gutter Brackets



50mm SS HT PK C/S sq drive screw

Panel Attach Screw
JGFSCREW/25x4



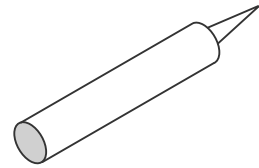
M4 x 25mm SS posi drive screw and M4 Dome nut

WASHER SS
JVBWASHER/21x11



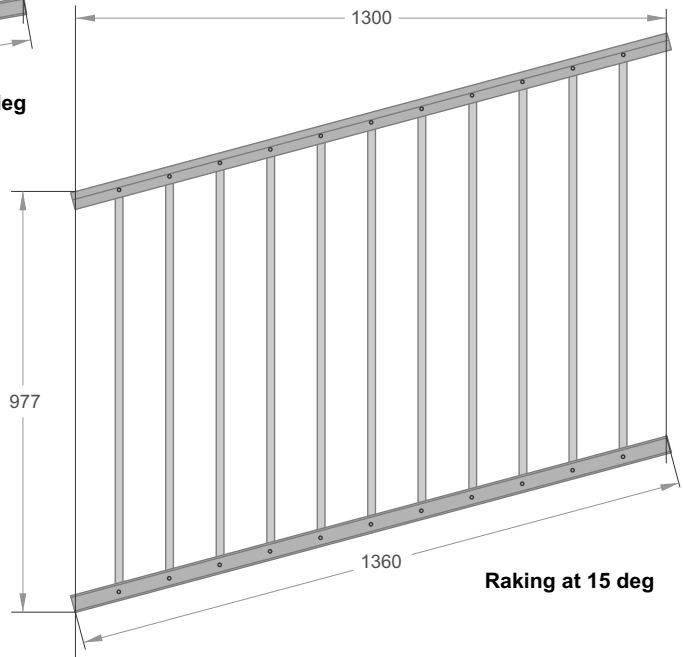
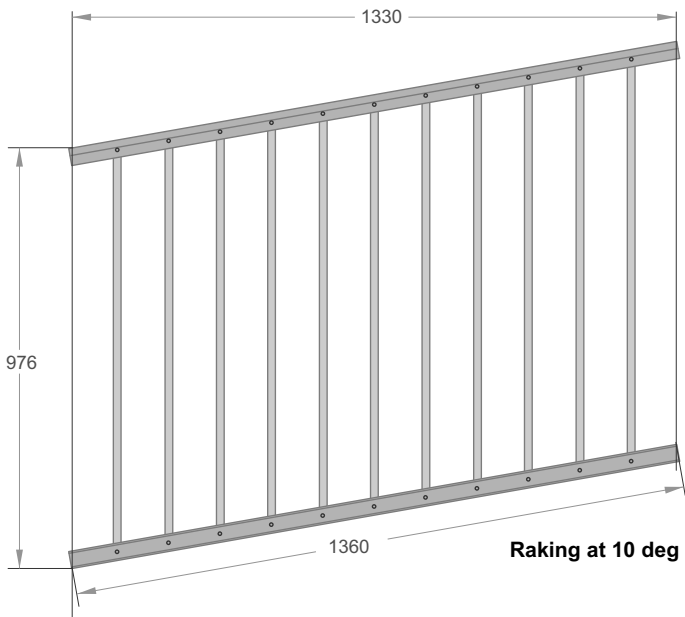
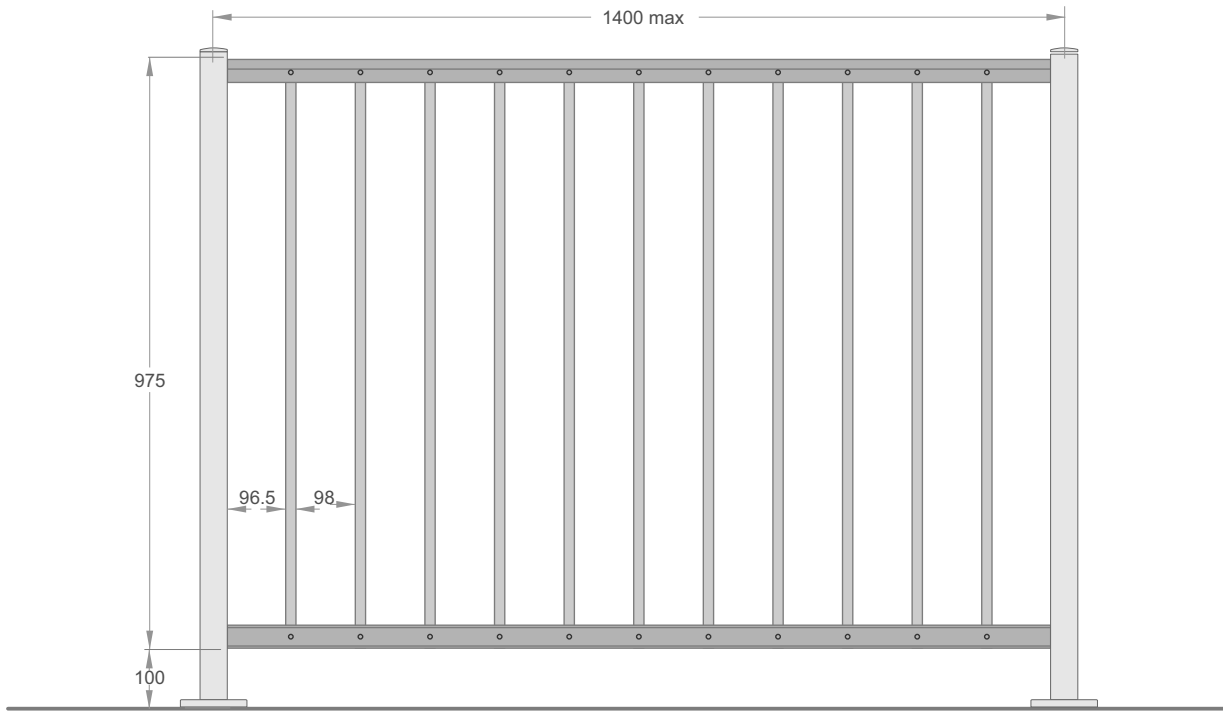
21dia x 11 x 2mm thick

SIKA Supergrip
JECSUPERGRIP30

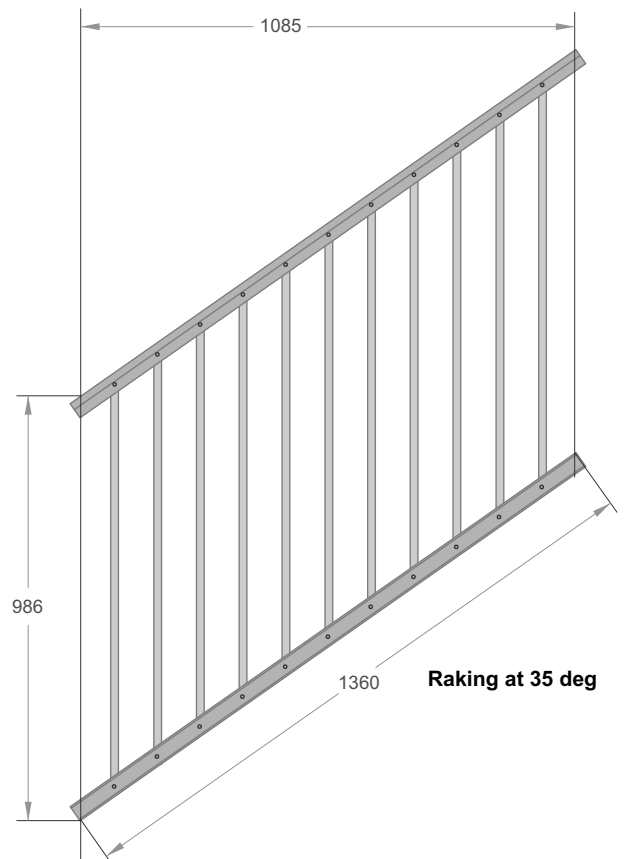
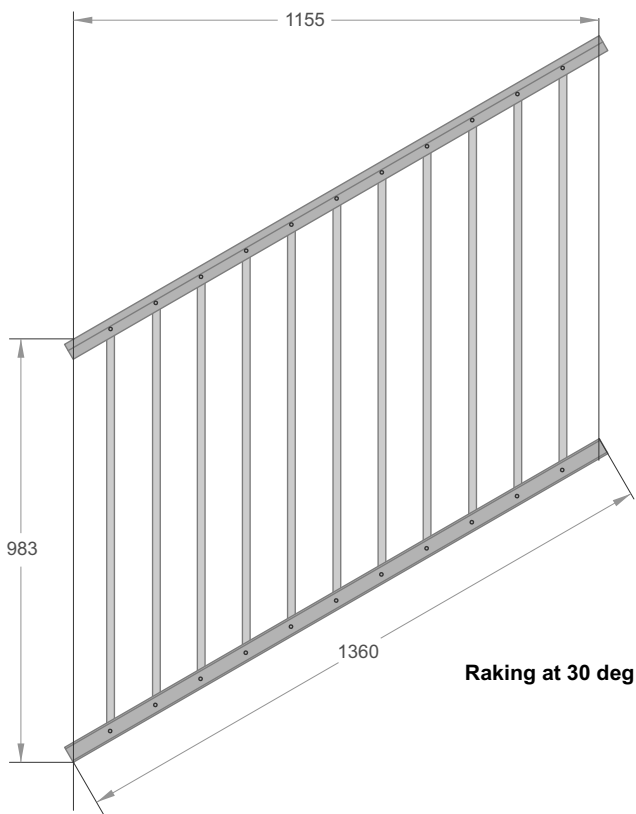
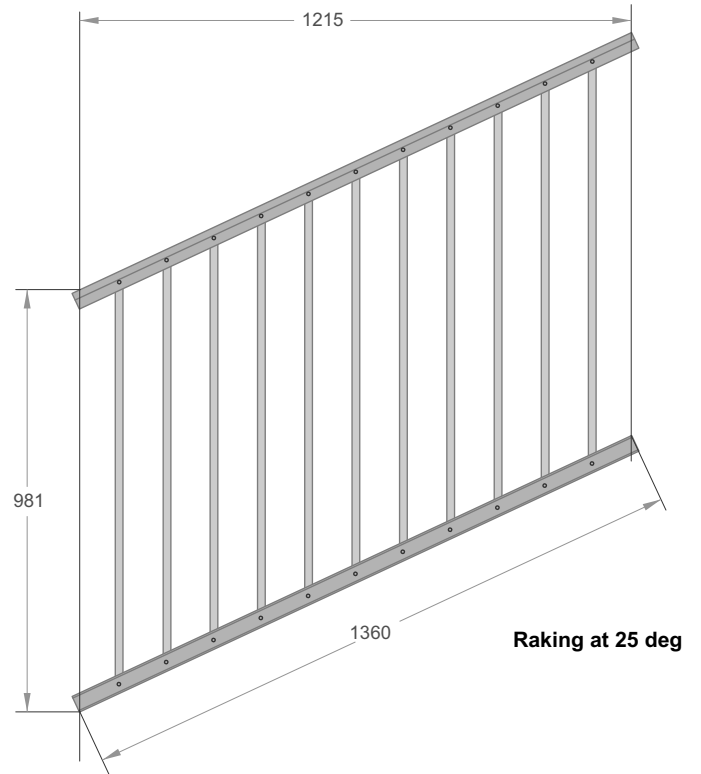
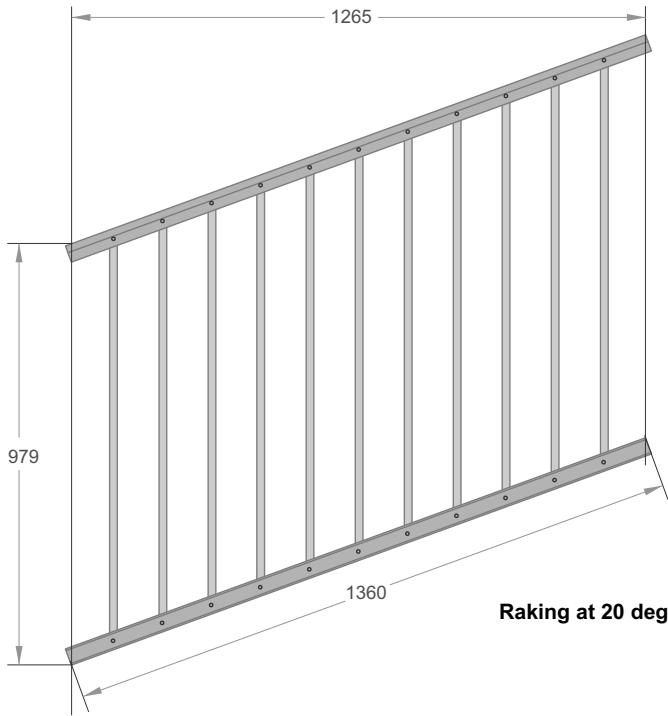


For All Coachscrews fixings

Juralco Homestead® Balustrade System - Racking



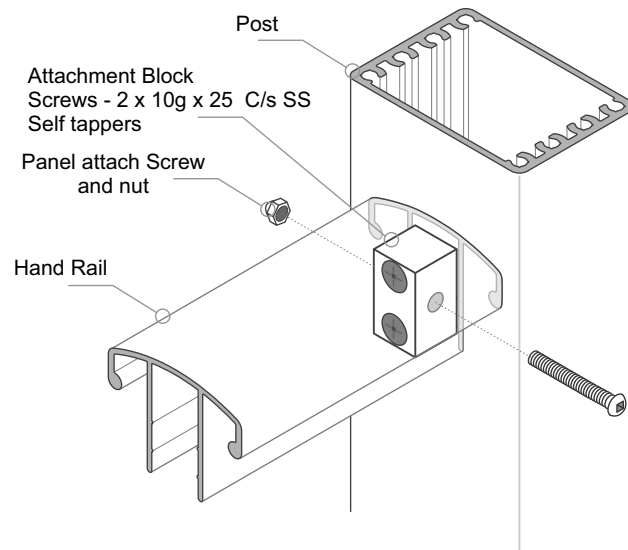
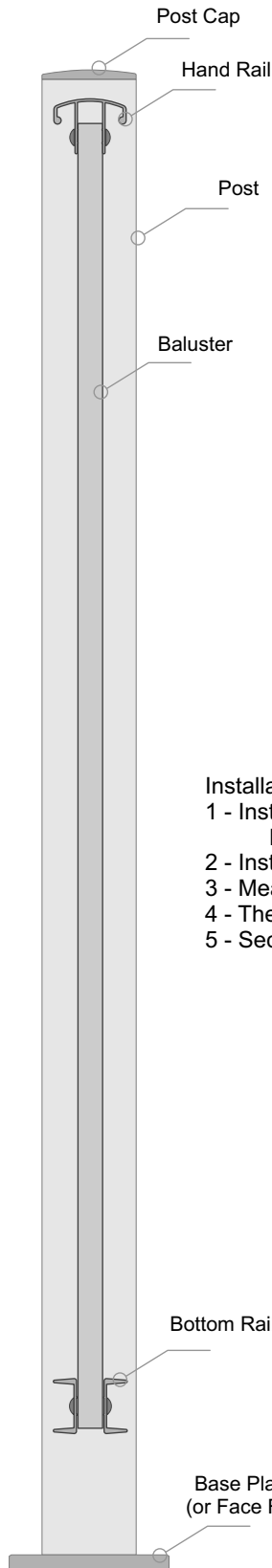
Juralco Homestead® Balustrade System - Racking



Juralco Homestead® Balustrade System - Attachment - Balustrade to Post

Important Installation notes:

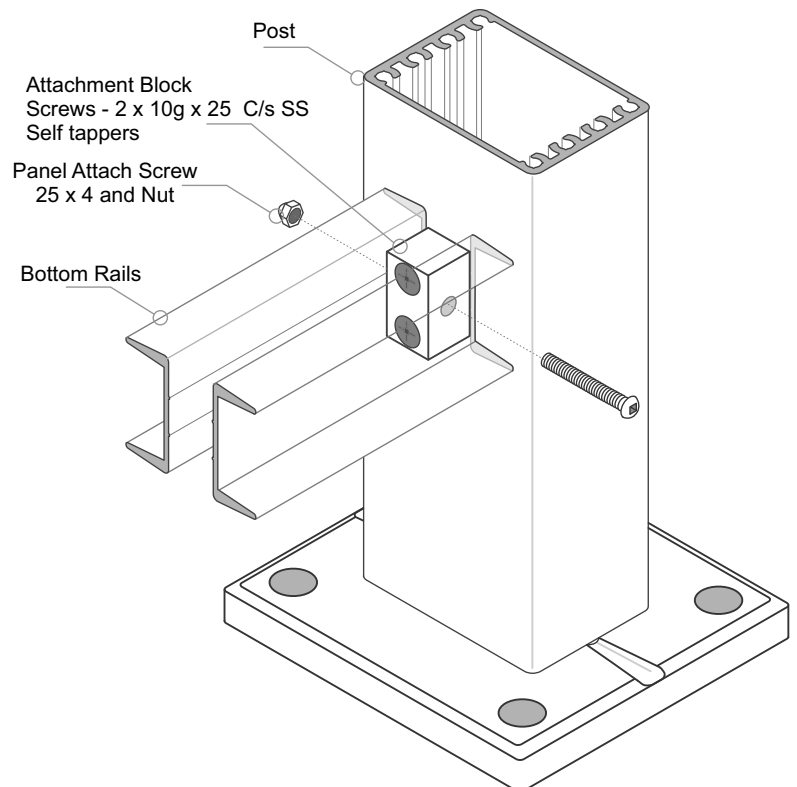
- 1 - The Project Engineer must ensure the structure can support the appropriate loads
- 2 - Substructure shown indicatively only
- 3 - All Fixings must be Stainless steel



TOP of POST

Installation

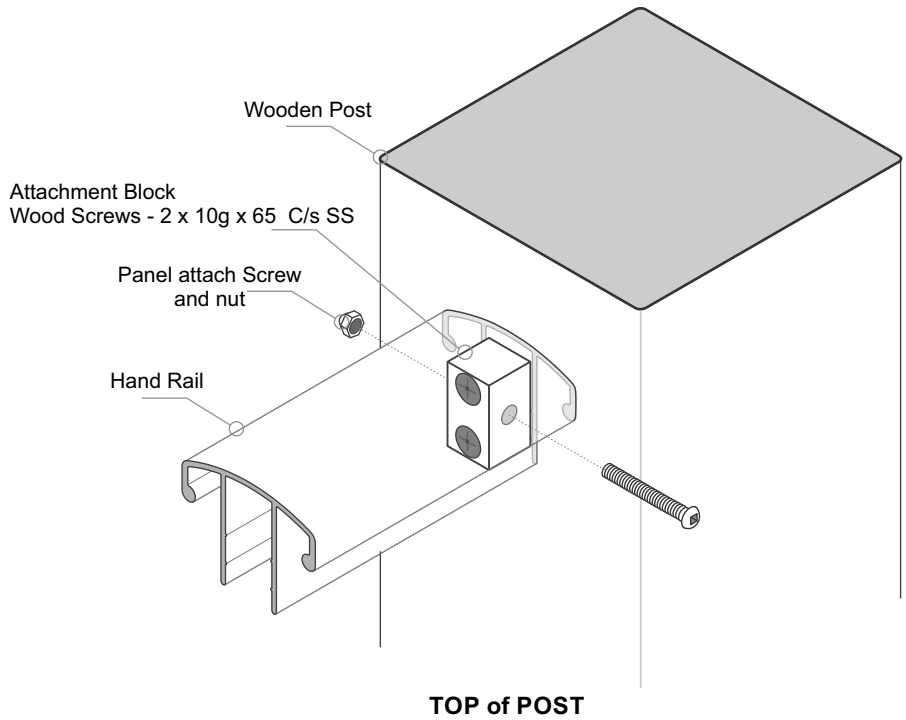
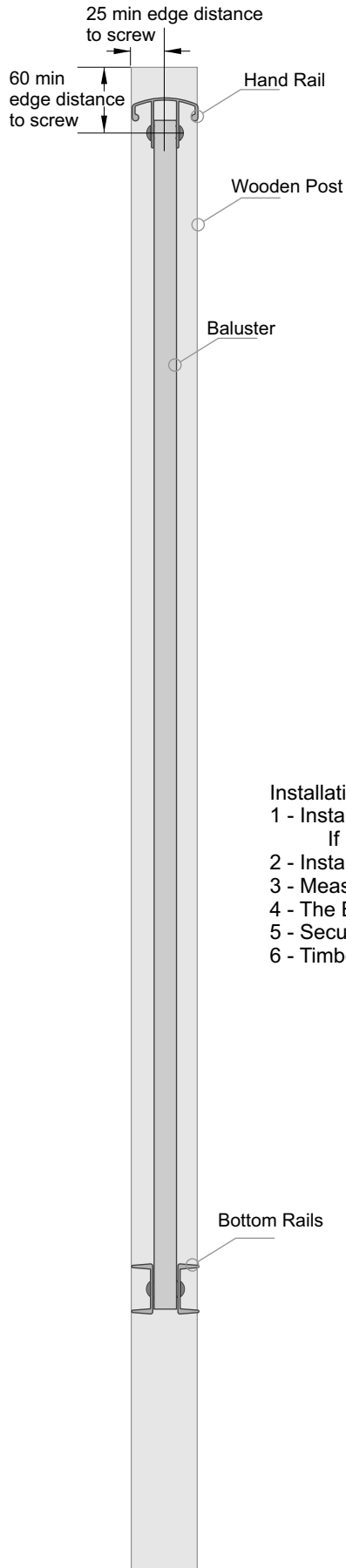
- 1 - Install posts, taking care to position at convenient c/l distance for easy cutting of the panel
If Panel angled ends must be cut at same angle
- 2 - Install the Attachment blocks
- 3 - Measure and cut the Panel to correct length; drill attach screw holes.
- 4 - The Balustrade panel then slips down from the top.
- 5 - Secure in place with the Attach screws at each end.



BOTTOM of POST

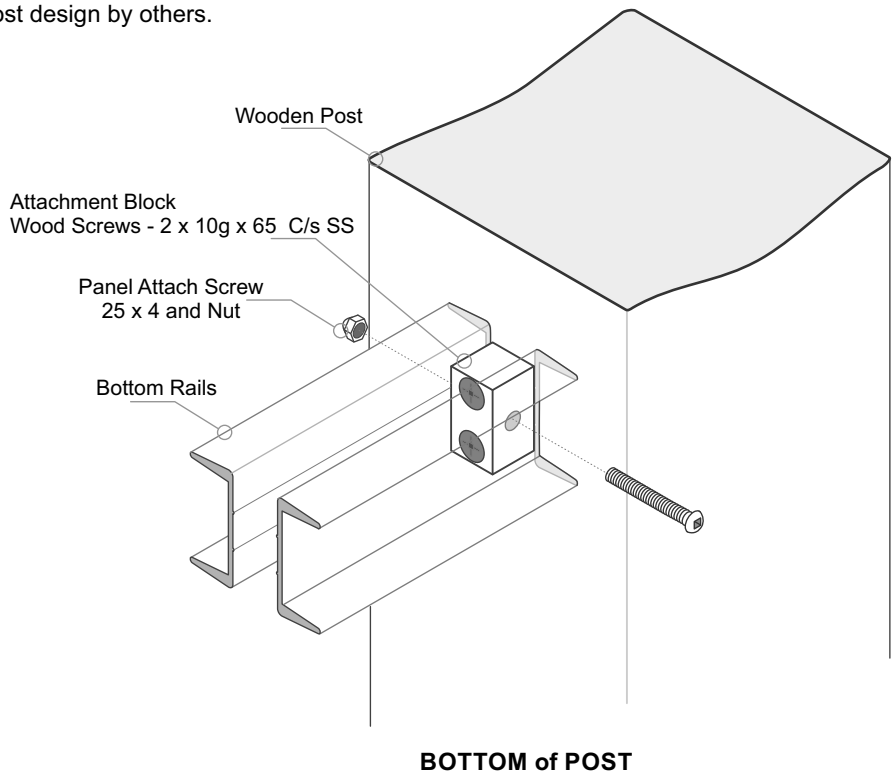
Juralco Homestead® Balustrade System - Attachment - Balustrade to Wooden Post

Important Installation notes:
 1 - The Project Engineer must ensure the structure can support the appropriate loads
 2 - Substructure shown indicatively only
 3 - All Fixings must be Stainless steel

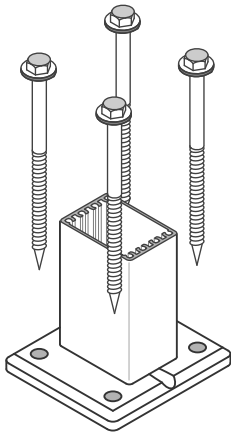


Installation

- 1 - Install posts, taking care to position at convenient c/l distance for easy cutting of the panel
 If Panel angled ends must be cut at same angle
- 2 - Install the Attachment blocks, noting minimum top/side clearances
- 3 - Measure and cut the Panel to correct length; drill attach screw holes
- 4 - The Balustrade panel then slips down from the top
- 5 - Secure in place with the Attach screws at each end
- 6 - Timber Post design by others.

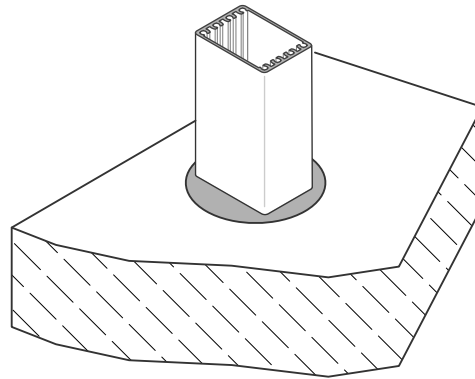


Juralco Homestead® Balustrade System - Typical Post Mount Options



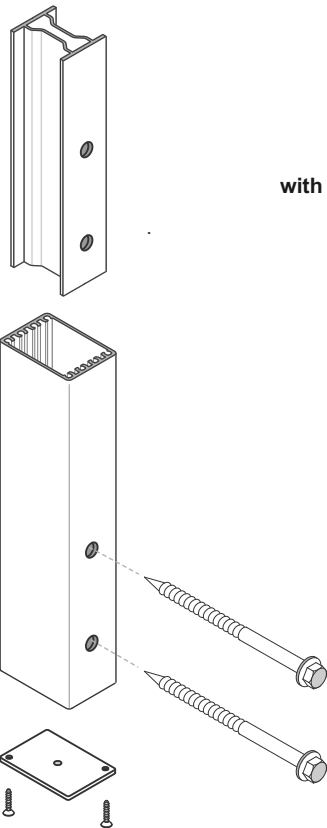
Top Mount

Base Plates in a variety of sizes. Different fasteners types depending on the Building substrate. Includes a 90deg Corner Post



Top Mount

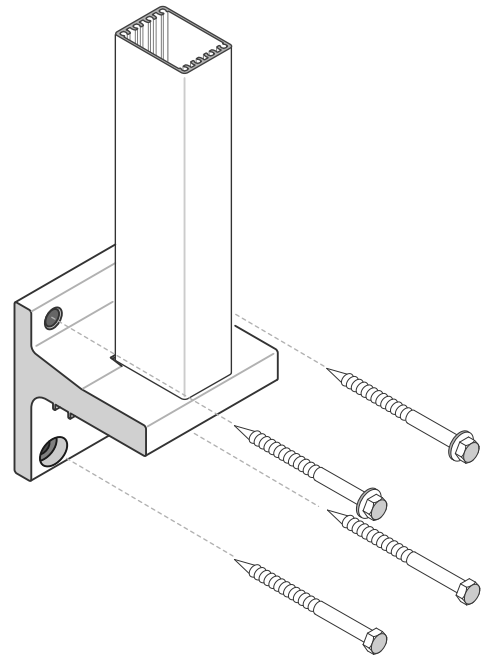
Concrete only. Post cemented permanently in place



Bond all coachscrews with SIKA Supergrip to full depth

Face Fix

Different fasteners types depending on the Building substrate.



Gutter Bracket - Face Fixed

Very suitable for overhanging decks and allows for Guttering to be clipped under. Different fasteners types depending on the Building substrate

Note - For all Face Fix, to Steel or Concrete there must be a PVC Tape layer between post and structure

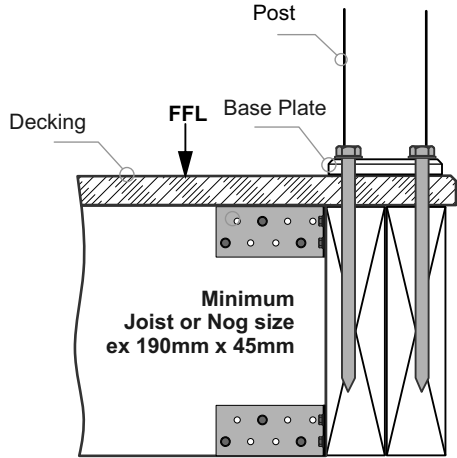
**Juralco Homestead® Balustrade Systems - Typical Post Fixing
Complies NZS3604:2011 - Double Boundary Joists**

Typical TOP Fix to Timber - JEC 221, 110mm x 90mm, 4 hole Base Plate - M10 Coachscrews

**Up to and including
Extra High Wind Zone**

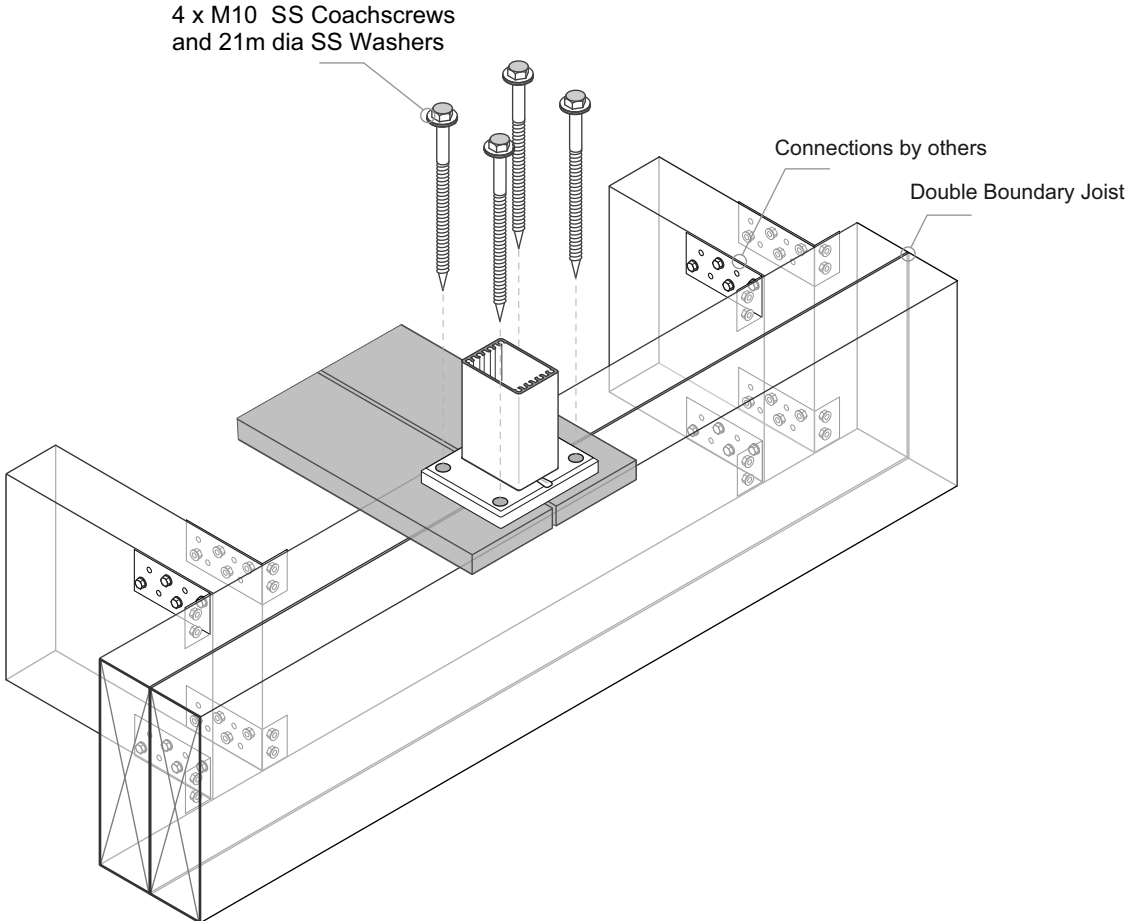
Balustrade Height above FFL (max)	Post C/L (max)
1075mm	1400mm

- General Notes:
 1 - Domestic Occupancy only A, A other and C3.
 2 - Balustrade Height measured above Deck/FFL. 1000mm min
 3 - Wind Zone as per NZS 3604:2011



Important Installation notes:

- 1 - The Project Engineer must ensure the structure can support the appropriate loads
- 2 - Substructure shown indicatively only.
Timber SG8 minimum strength
- 3 - Coachscrews 150mm min engagement into joists.
All coachscrews drill 6mm holes
- 4 - Bond all coachscrews with SIKA Supergrip to full depth
- 5 - All Fixings must be Stainless steel



Juralco Homestead® Balustrade Systems - Typical Post Fixing
Complies NZS3604:2011 - Double Boundary Joists

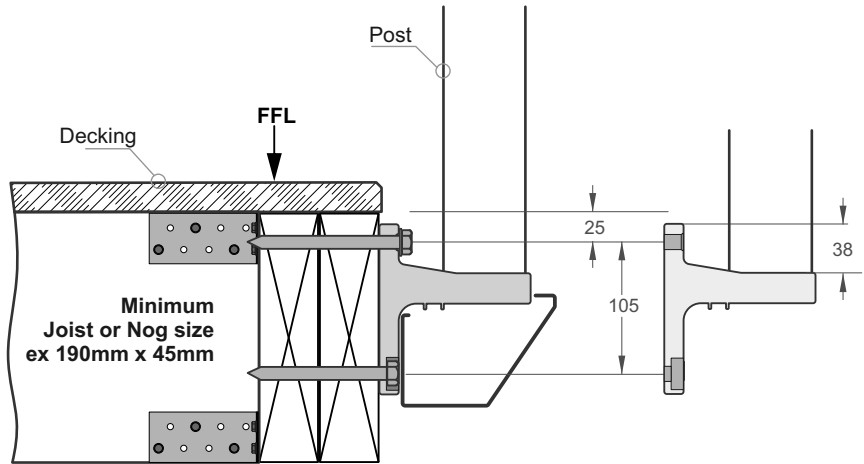
Typical FACE Fix to Timber - JEC 137/65, Gutter Bracket - M10 Coachscrews

**Up to and including
Extra High Wind Zone**

Balustrade Height above FFL (max)	Post C/L (max)
1075mm	1400mm

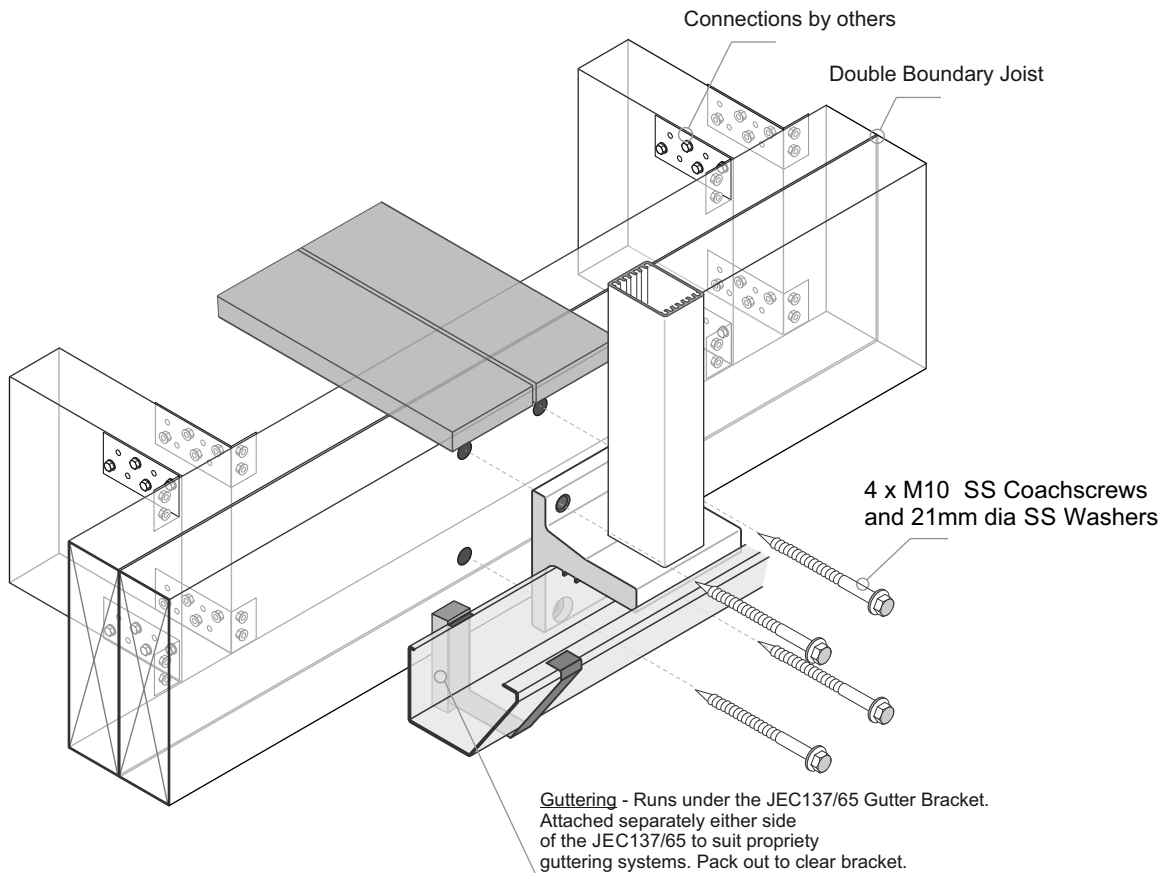
General Notes:

- 1 - Domestic Occupancy only A, A other and C3.
- 2 - Balustrade Height measured above Deck/FFL. 1000mm min
- 3 - Wind Zone as per NZS 3604:2011



Important Installation notes:

- 1 - The Project Engineer must ensure the structure can support the appropriate loads
- 2 - Substructure shown indicatively only.
Timber SG8 minimum strength
- 3 - Coachscrews 90mm min engagement into joists. Drill 6mm holes
- 4 - Bond all coachscrews with SIKA Supergrip to full depth
- 5 - All Fixings must be Stainless steel



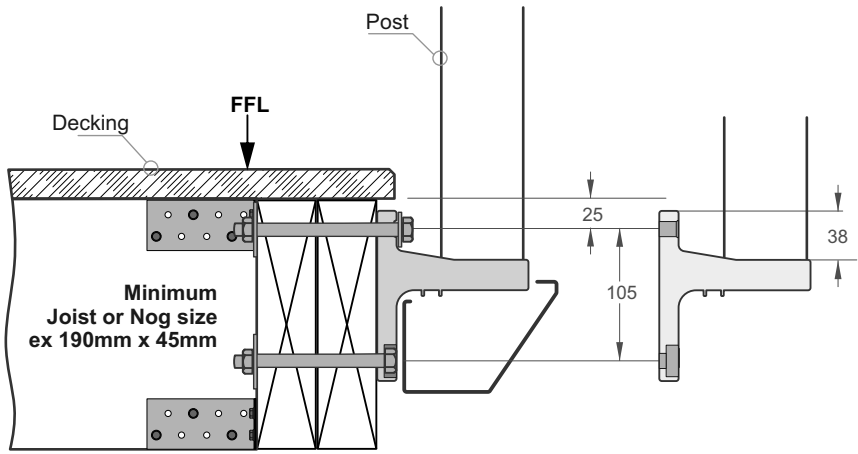
Juralco Homestead® Balustrade Systems - Typical Post Fixing
Complies NZS3604:2011 - Double Boundary Joists

Typical FACE Fix to Timber - JEC 137/65, Gutter Bracket - M10 Bolts or Threaded Rod

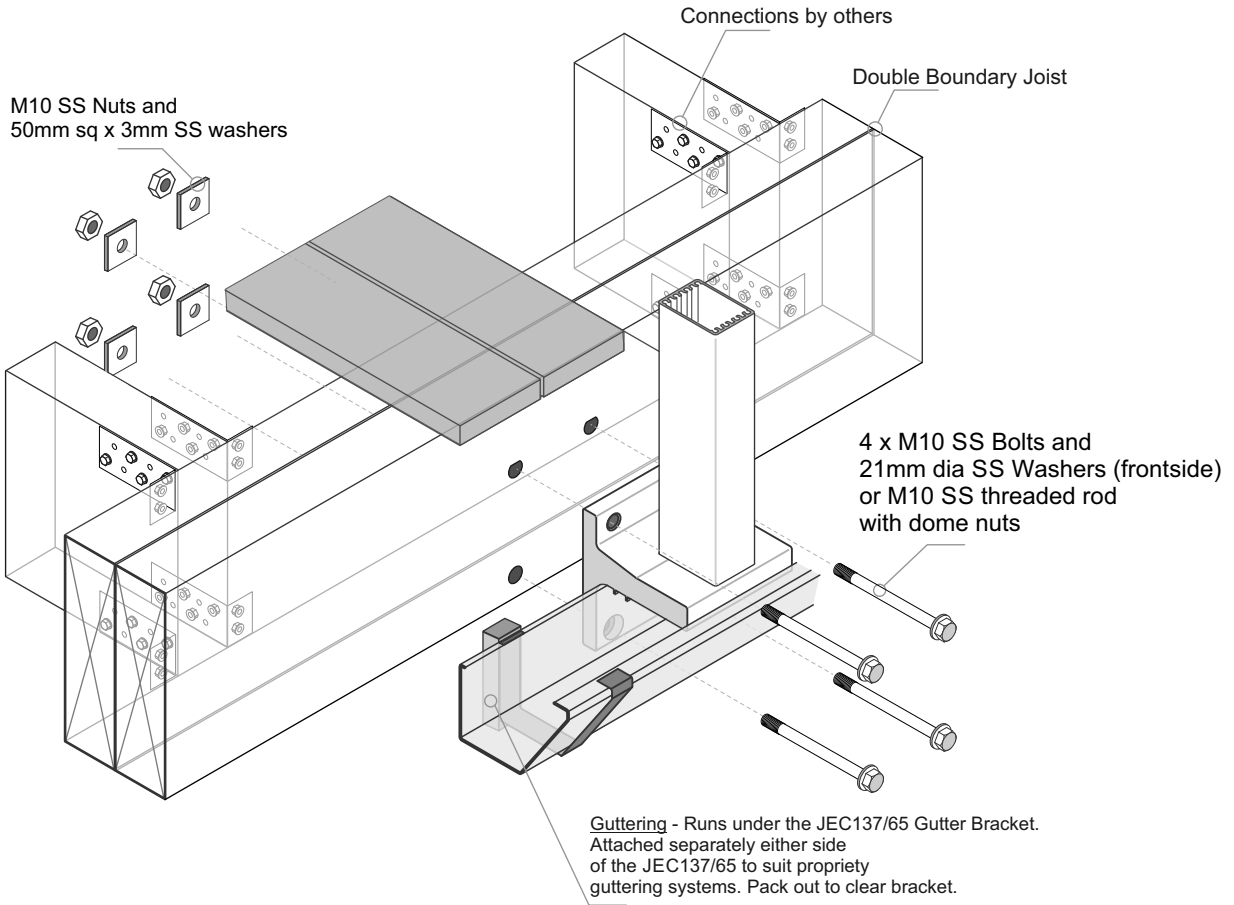
**Up to and including
Extra High Wind Zone**

Balustrade Height above FFL (max)	Post C/L (max)
1075mm	1400mm

- General Notes:
 1 - Domestic Occupancy only A, A other and C3.
 2 - Balustrade Height measured above Deck/FFL. 1000mm min
 3 - Wind Zone as per NZS 3604:2011



Important Installation notes:
 1 - The Project Engineer must ensure the structure can support the appropriate loads
 2 - Substructure shown indicatively only. Timber SG8 minimum strength
 3 - All Fixings must be Stainless steel



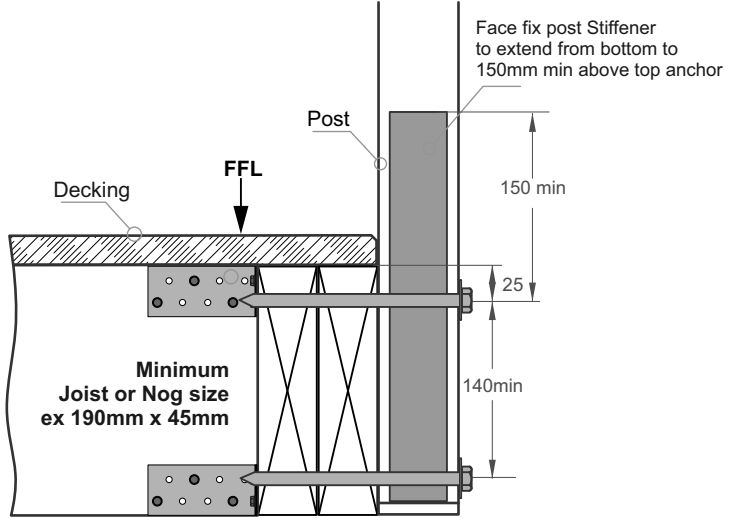
Juralco Homestead® Balustrade Systems - Typical Post Fixing
Complies NZS3604:2011 - Double Boundary Joists

Typical FACE Fix Post to Timber - M10 Coachscrews

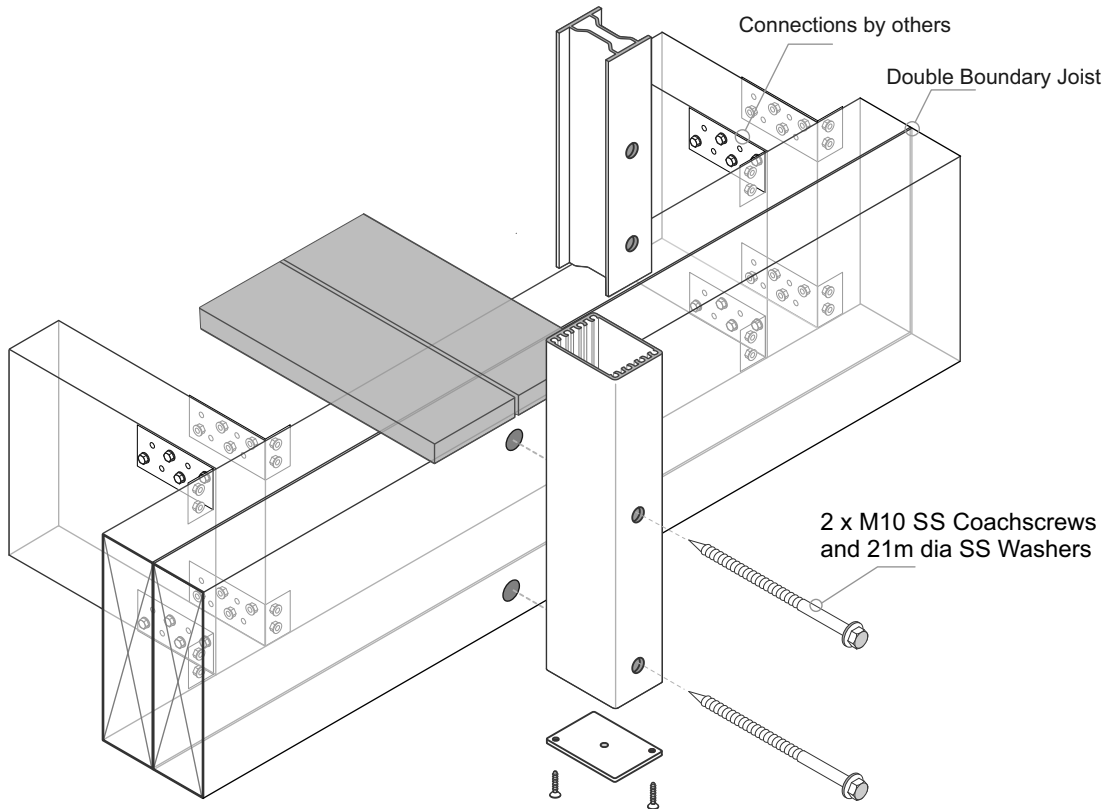
**Up to and including
Extra High Wind Zone**

Balustrade Height above FFL (max)	Post C/L (max)
1075mm	1400mm

- General Notes:
 1 - Domestic Occupancy only A, A other and C3.
 2 - Balustrade Height measured above Deck/FFL. 1000mm min
 3 - Wind Zone as per NZS 3604:2011



- Important Installation notes:**
- 1 - The Project Engineer must ensure the structure can support the appropriate loads
 - 2 - Substructure shown indicatively only.
Timber SG8 minimum strength
 - 3 - Coachscrews 90mm min engagement into joists.
Drill 6mm holes.
 - 4 - Bond all coachscrews with SIKA Supergrip to full depth
 - 5 - All Fixings must be Stainless steel



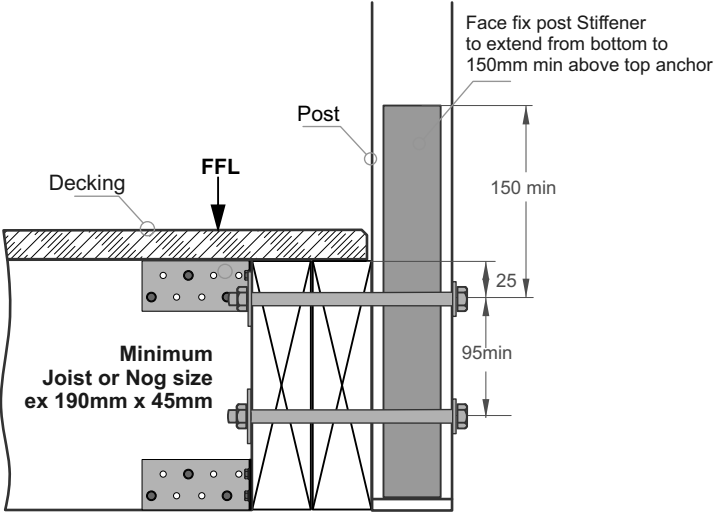
Juralco Homestead® Balustrade Systems - Typical Post Fixing
Complies NZS3604:2011 - Double Boundary Joists

Typical FACE Fix Post to Timber - M10 Bolts or Threaded Rod

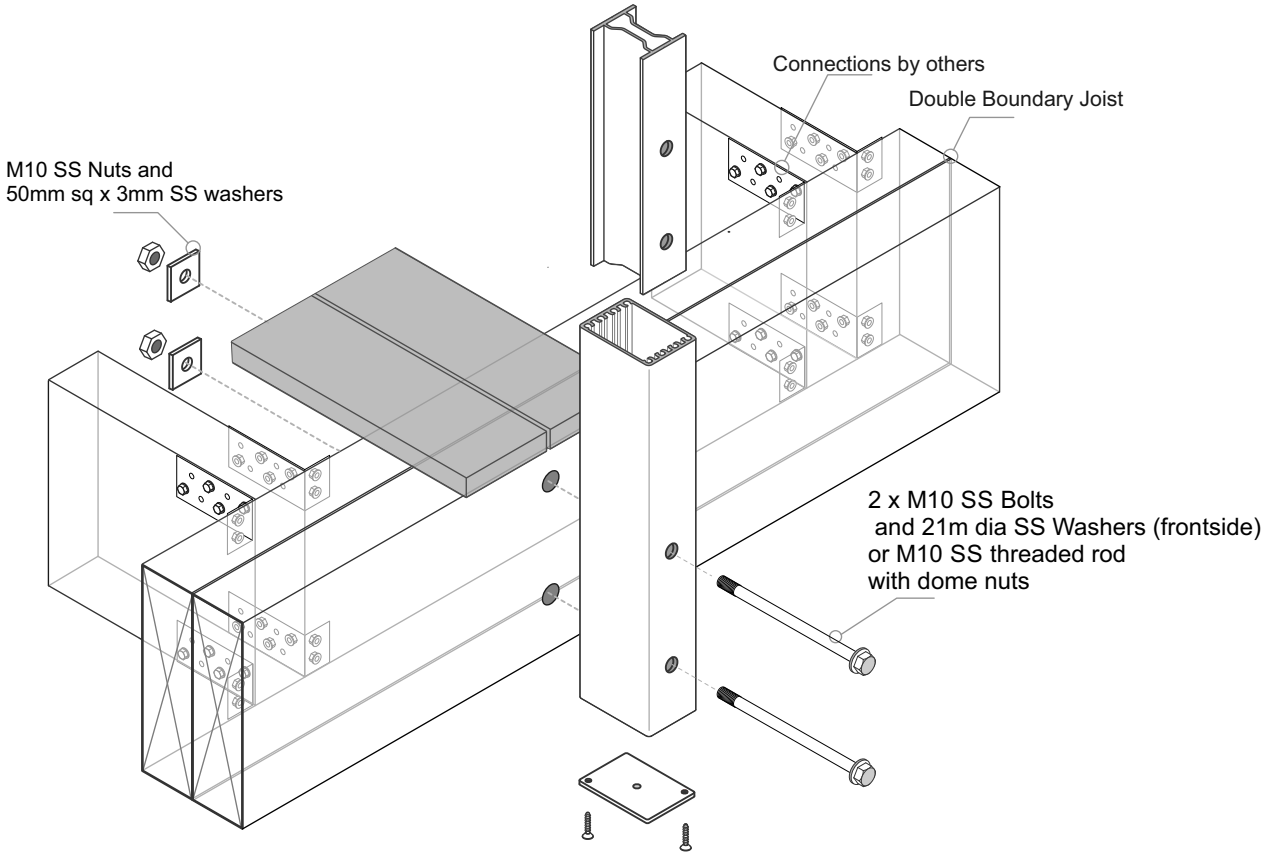
**Up to and including
Extra High Wind Zone**

Balustrade Height above FFL (max)	Post C/L (max)
1075mm	1400mm

- General Notes:
 1 - Domestic Occupancy only A, A other and C3.
 2 - Balustrade Height measured above Deck/FFL. 1000mm min
 3 - Wind Zone as per NZS 3604:2011



Important Installation notes:
 1 - The Project Engineer must ensure the structure can support the appropriate loads
 2 - Substructure shown indicatively only.
 Timber SG8 minimum strength
 3 - All Fixings must be Stainless steel



Juralco Homestead® Balustrade System - Post Mounting Details

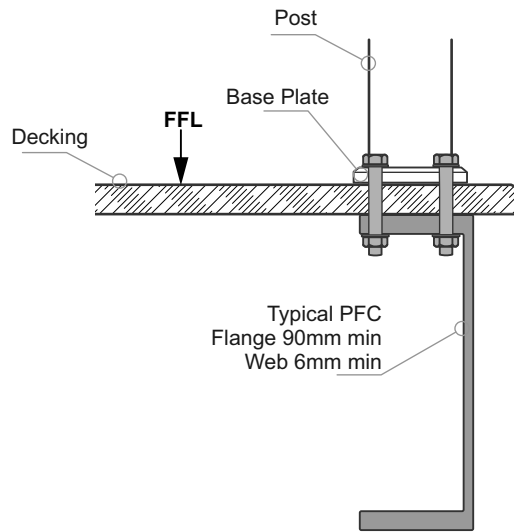
Typical TOP Fix to Steel - JEC 221, 110mm x 90mm, 4 hole Base Plate - M10 Bolts

Up to and including Extra High Wind Zone

Balustrade Height above FFL (max)	Post C/L (max)
1075mm	1400mm

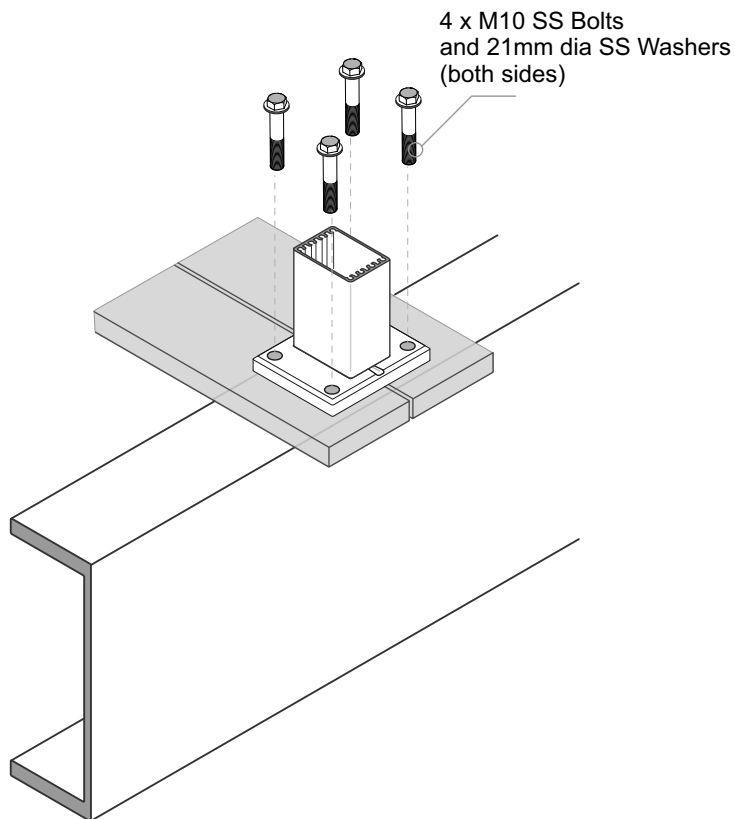
General Notes:

- 1 - Domestic Occupancy only A, A other and C3.
- 2 - Balustrade Height measured above Deck/FFL. 1000mm min
- 3 - Wind Zone as per NZS 3604:2011



Important Installation notes:

- 1 - The Project Engineer must ensure the structure can support the appropriate loads
- 2 - Substructure shown indicatively only
- 3 - All Fixings must be Stainless steel



Juralco Homestead® Balustrade System - Post Mounting Details

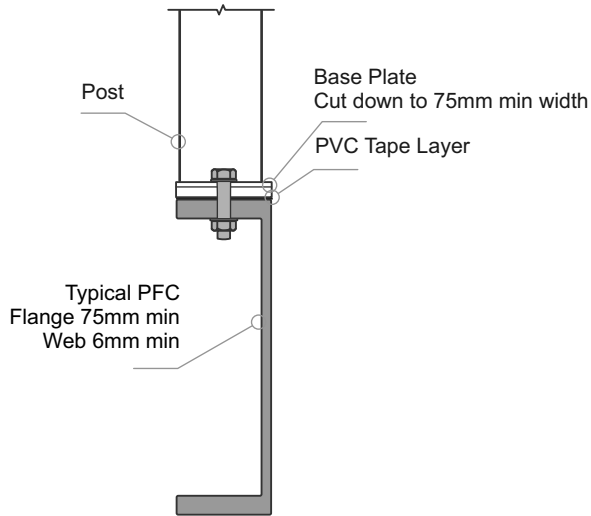
Typical TOP Fix to Steel - JEC 201, 110mm x 90mm, 2 hole Base Plate - M10 Bolts

Up to and including Extra High Wind Zone

Balustrade Height above FFL (max)	Post C/L (max)
1075mm	1400mm

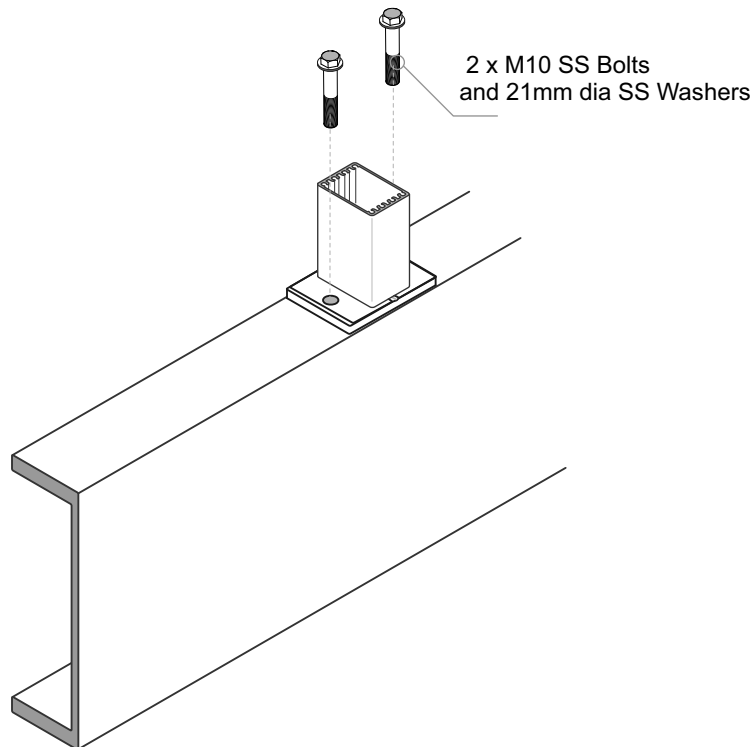
General Notes:

- 1 - Domestic Occupancy only A, A other and C3.
- 2 - Balustrade Height measured above Deck/FFL. 1000mm min
- 3 - Wind Zone as per NZS 3604:2011



Important Installation notes:

- 1 - The Project Engineer must ensure the structure can support the appropriate loads
- 2 - Substructure shown indicatively only
- 3 - The Baseplate can be cut down to 75mm wide
- 4 - Both Base plate and PFC must be aligned, with Bolt at C/L
- 5 - A PVC tape layer must be placed between Baseplate and Steel
- 6 - All fixings must be Stainless steel



Juralco Homestead® Balustrade System - Post Mounting Details

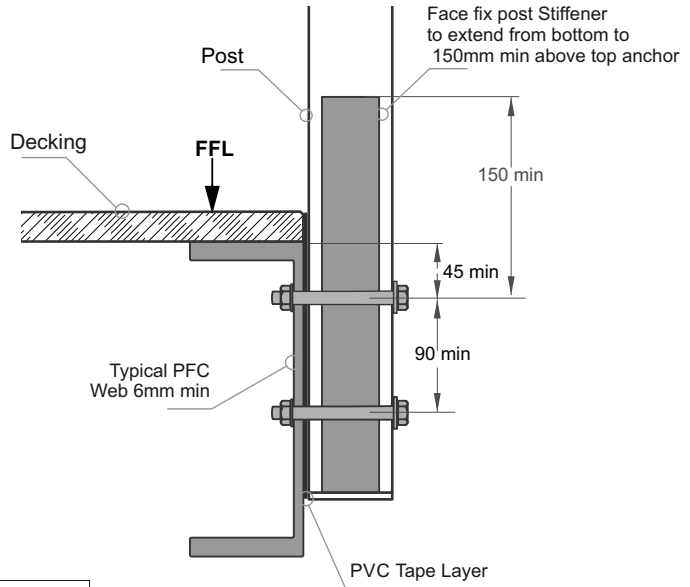
Typical FACE Fix Post to Steel - M10 Bolts

Up to and including Extra High Wind Zone

Balustrade Height above FFL (max)	Post C/L (max)
1075mm	1400mm

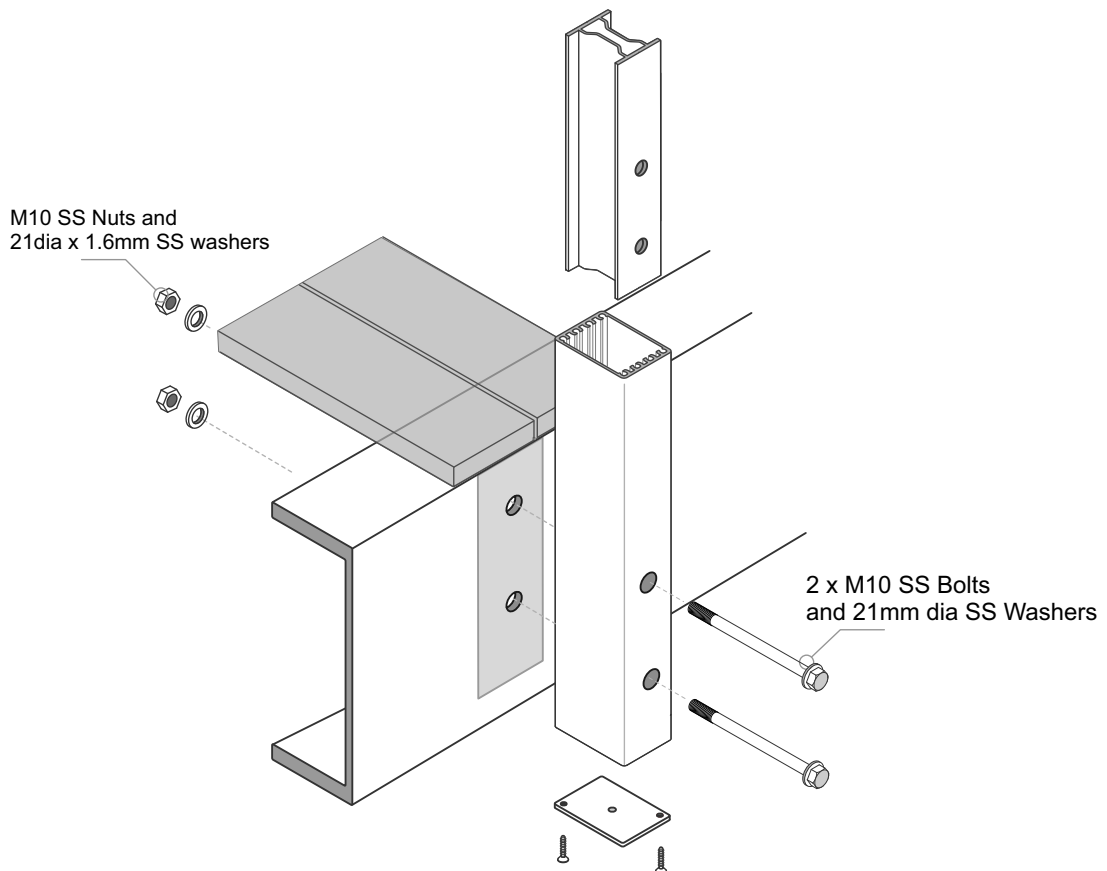
General Notes:

- 1 - Domestic Occupancy only A, A other and C3.
- 2 - Balustrade Height measured above Deck/FFL. 1000mm min
- 3 - Wind Zone as per NZS 3604:2011



Important Installation notes:

- 1 - The Project Engineer must ensure the structure can support the appropriate loads
- 2 - Substructure shown indicatively only
- 3 - A PVC Tape layer must be installed between the Post and Steel
- 4 - All fixings must be Stainless steel



Juralco Homestead® Balustrade System - Post Mounting Details

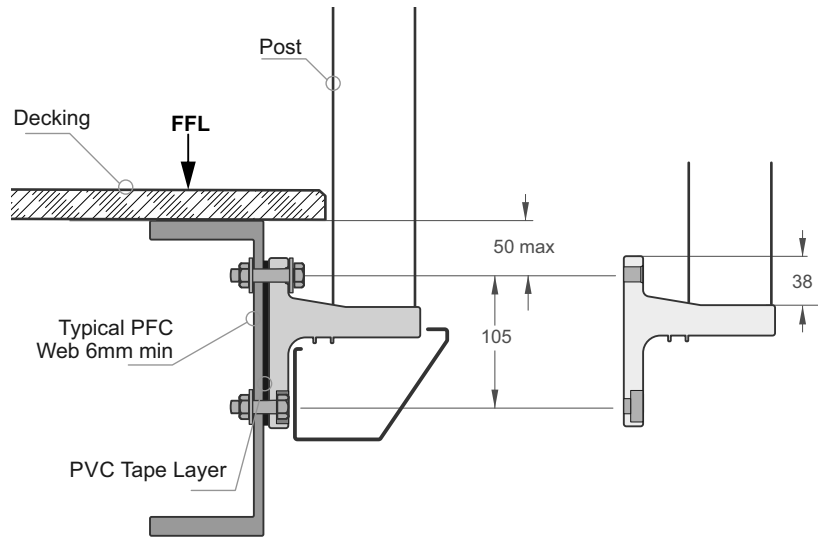
Typical FACE Fix to Steel - JEC 137/65, Gutter Bracket - M10 Bolts

**Up to and including
Extra High Wind Zone**

Balustrade Height above FFL (max)	Post C/L (max)
1075mm	1400mm

General Notes:

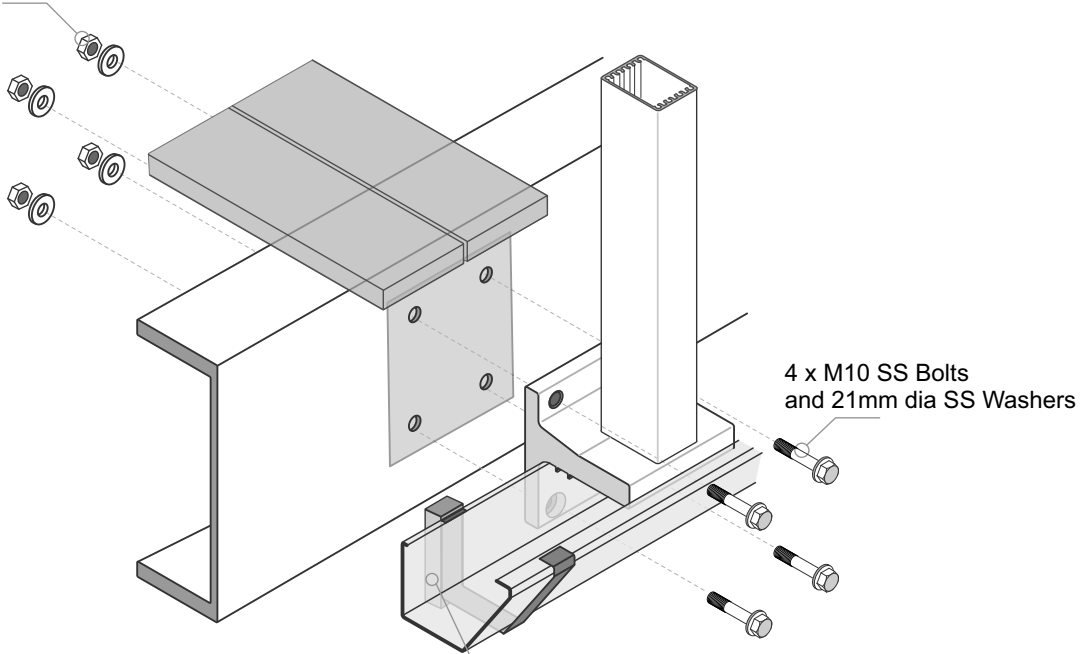
- 1 - Domestic Occupancy only A, A other and C3.
- 2 - Balustrade Height measured above Deck/FFL. 1000mm min
- 3 - Wind Zone as per NZS 3604:2011



Important Installation notes:

- 1 - The Project Engineer must ensure the structure can support the appropriate loads
- 2 - Substructure shown indicatively only
- 3 - A PVC Tape layer must be installed between the Post and Steel
- 4 - All fixings must be Stainless steel

M10 SS Nuts and
21dia x 1.6mm SS washers



Guttering - Runs under the JEC137/65 Gutter Bracket. Attached separately either side of the JEC137/65 to suit propriety guttering systems. Pack out to clear bracket.

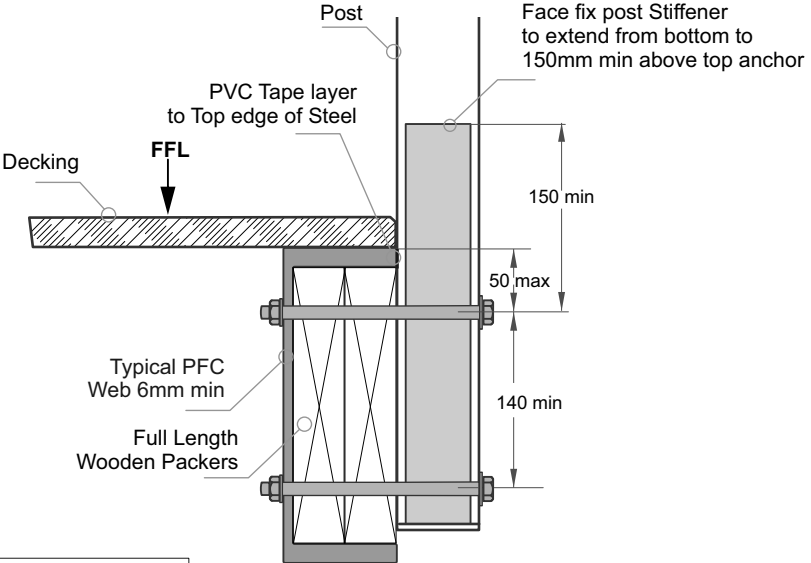
Juralco Homestead® Balustrade System - Post Mounting Details

Typical FACE Fix Post to Steel + Wooden Packers - M10 SS Bolts

**Up to and including
Extra High Wind Zone**

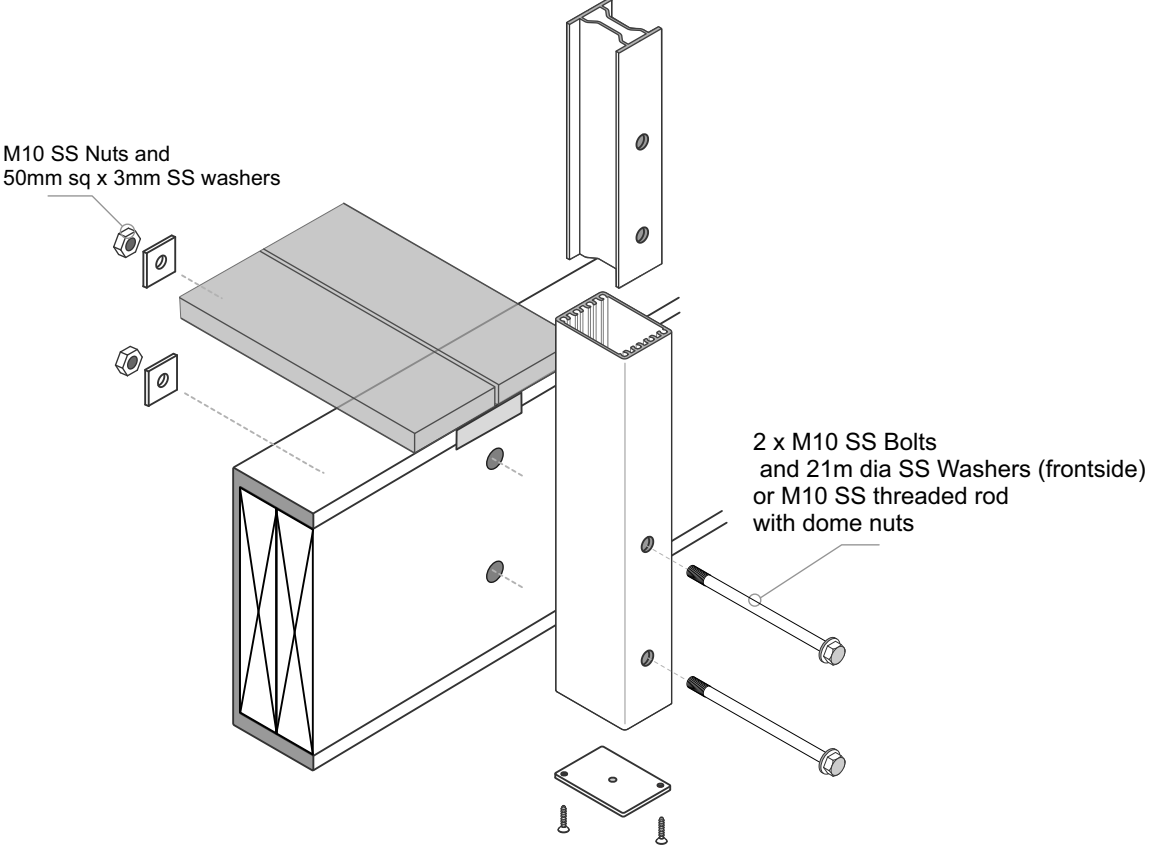
Balustrade Height above FFL (max)	Post C/L (max)
1075mm	1400mm

- General Notes:
- 1 - Domestic Occupancy only A, A other and C3.
 - 2 - Balustrade Height measured above Deck/FFL. 1000mm min
 - 3 - Wind Zone as per NZS 3604:2011



Important Installation notes:

- 1 - The Project Engineer must ensure the structure can support the appropriate loads
- 2 - Substructure shown indicatively only. Timber SG8 minimum strength
- 3 - A PVC Tape layer must be installed between the Post and the Top Steel Flange
- 4 - All Fixings must be Stainless steel



Juralco Homestead® Balustrade System - Post Mounting Details

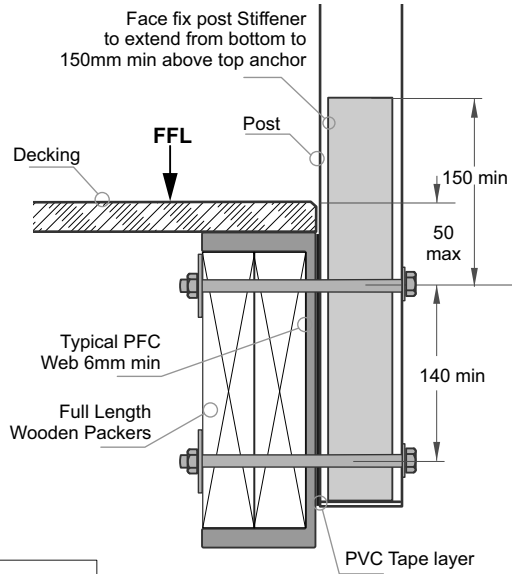
Typical FACE Fix Post to Steel + Wooden Packers - M10 SS Bolts

**Up to and including
Extra High Wind Zone**

Balustrade Height above FFL (max)	Post C/L (max)
1075mm	1400mm

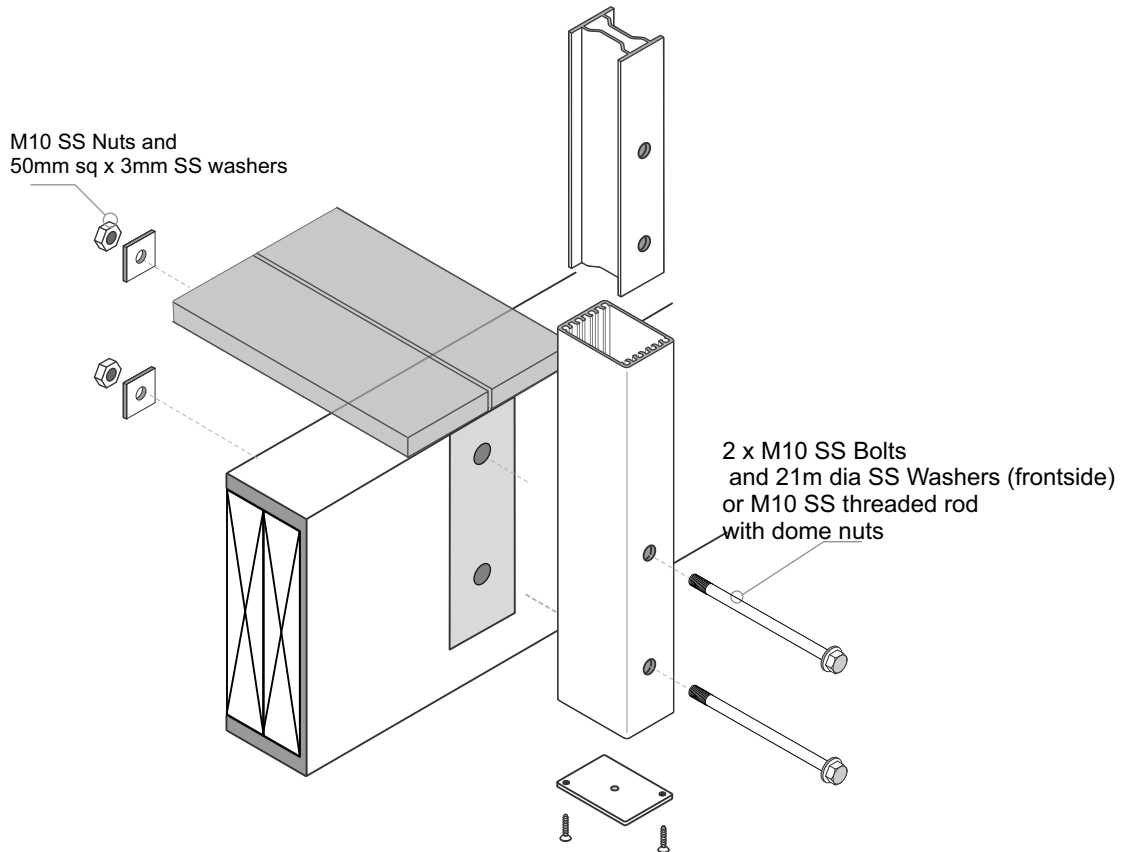
General Notes:

- 1 - Domestic Occupancy only A, A other and C3.
- 2 - Balustrade Height measured above Deck/FFL. 1000mm min
- 3 - Wind Zone as per NZS 3604:2011



Important Installation notes:

- 1 - The Project Engineer must ensure the structure can support the appropriate loads
- 2 - Substructure shown indicatively only
Timber SG8 minimum strength
- 3 - A PVC Tape layer must be installed between the Post and Steel
- 4 - All Fixings must be Stainless steel



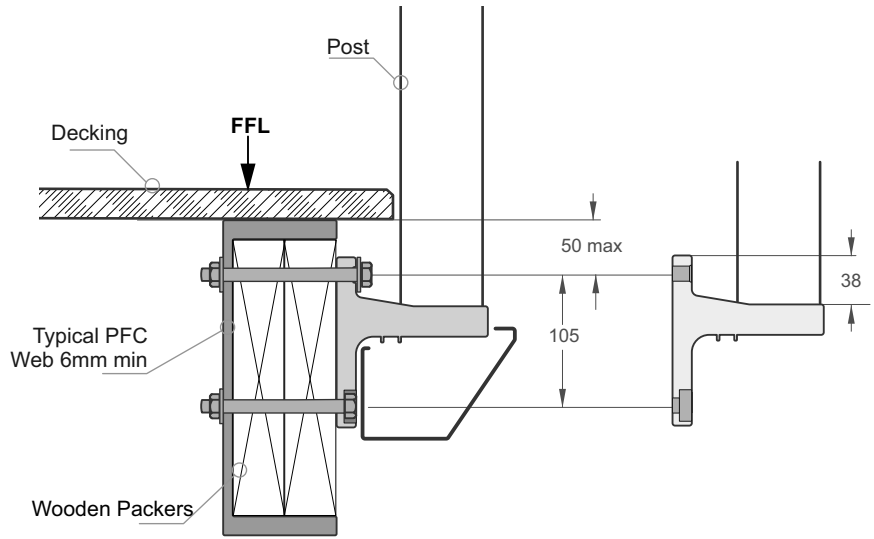
Juralco Homestead® Balustrade System - Post Mounting Details

Typical FACE Fix to Steel, Wooden Packers - JEC 137/65, Gutter Bracket - M10 Bolts

**Up to and including
Extra High Wind Zone**

Balustrade Height above FFL (max)	Post C/L (max)
1075mm	1400mm

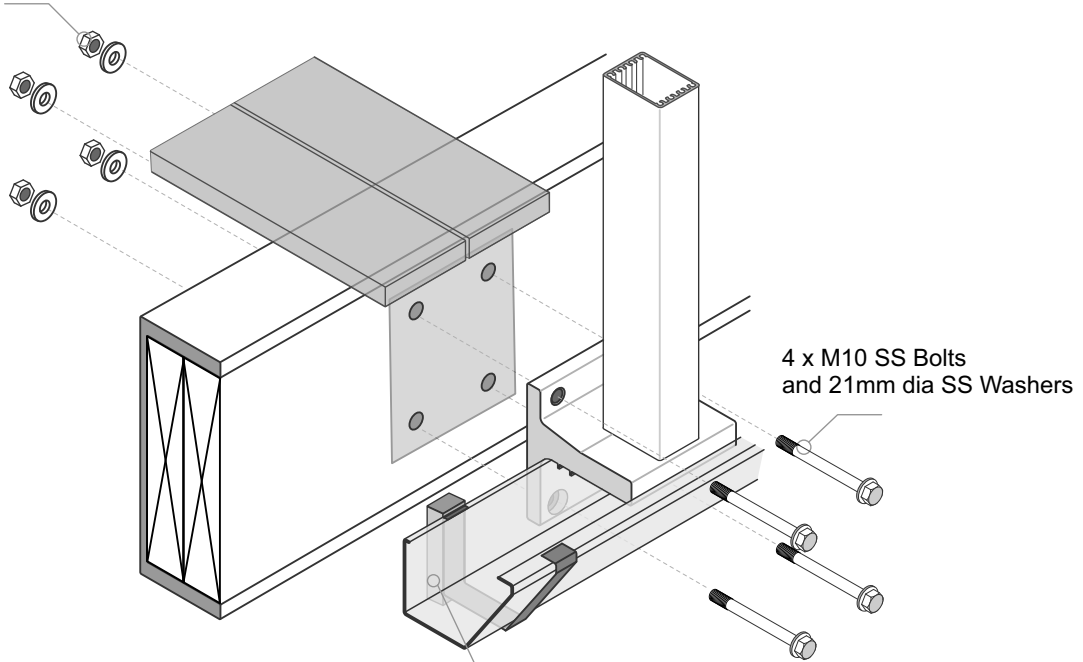
- General Notes:
- 1 - Domestic Occupancy only A, A other and C3.
 - 2 - Balustrade Height measured above Deck/FFL. 1000mm min
 - 3 - Wind Zone as per NZS 3604:2011



Important Installation notes:

- 1 - The Project Engineer must ensure the structure can support the appropriate loads
- 2 - Substructure shown indicatively only. Timber SG8 minimum strength
- 3 - All Fixings must be Stainless steel

M10 SS Nuts and 21dia x 1.6mm SS washers



Juralco Homestead® Balustrade System - Post Mounting Details

Typical TOP Fix to Concrete - JEC 200, 110mm x 100mm, 4 hole Base Plate - M10 Studs

**Up to and including
Extra High Wind Zone**

Balustrade Height above FFL (max)	Post C/L (max)
1075mm	1400mm

- General Notes:
- 1 - Domestic Occupancy only A, A other and C3.
 - 2 - Balustrade Height measured above Deck/FFL. 1000mm min
 - 3 - Wind Zone as per NZS 3604:2011

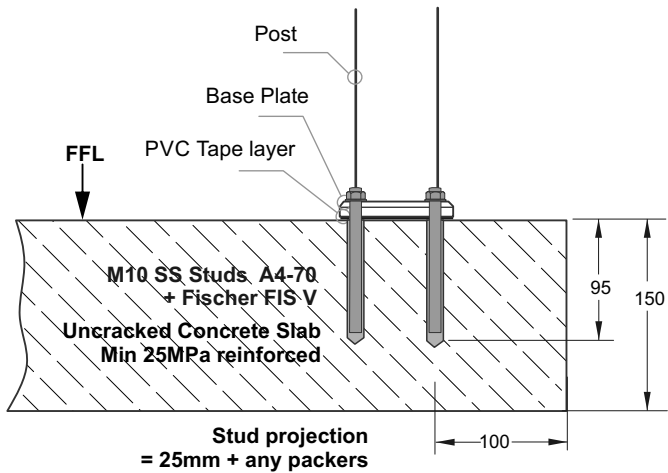


Installation details Fischer FIS V 300T

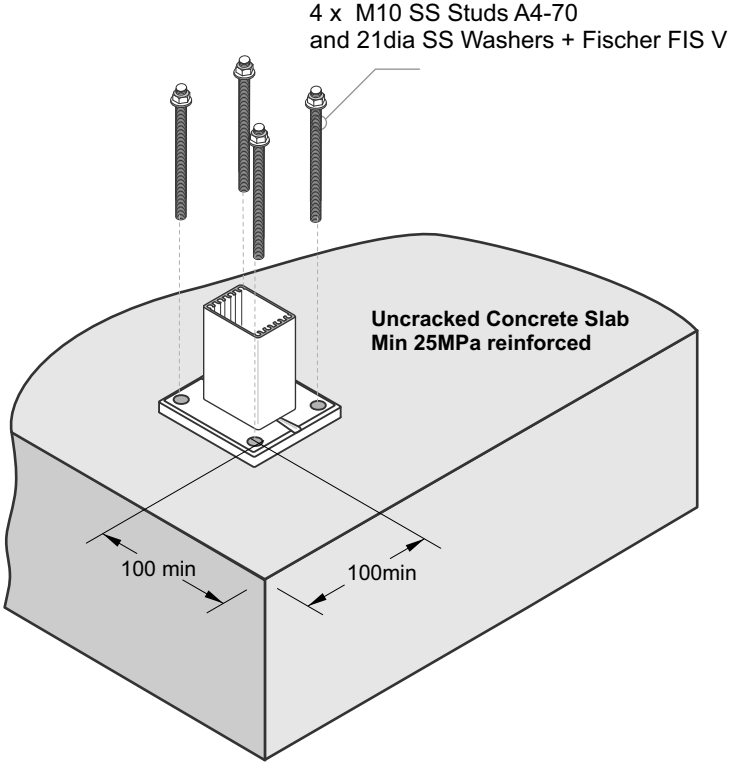
Thread diameter M10
 Drill hole diameter = 12 mm
 Drill hole depth = 95 mm
 Anchorage depth = 85 mm

Drilling method Hammer drilling
 Drill hole cleaning 4 times blowing,
 4 times brushing,
 4 times blowing

No borehole cleaning required in case of using a hollow drill bit, e.g. fischer FHD.



- Important Installation notes:**
- 1 - The Project Engineer must ensure the structure can support the appropriate loads
 - 2 - Substructure shown indicatively only
 - 3 - All fixings must engage into the structural slab
 - 4 - A PVC Tape layer must be installed between the Base plate and Concrete
 - 5 - Use Threadlock on Nut
 - 6 - All fixings must be Stainless steel



Juralco Homestead® Balustrade System - Post Mounting Details

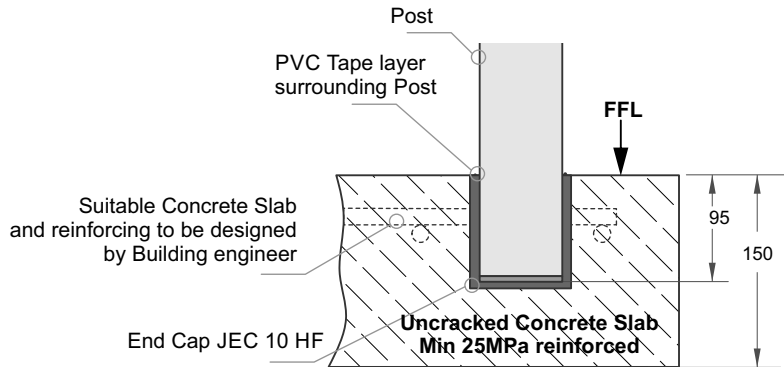
Typical TOP Fix to Concrete - Embed Post in Concrete Slab

**Up to and including
Extra High Wind Zone**

Balustrade Height above FFL (max)	Post C/L (max)
1075mm	1400mm

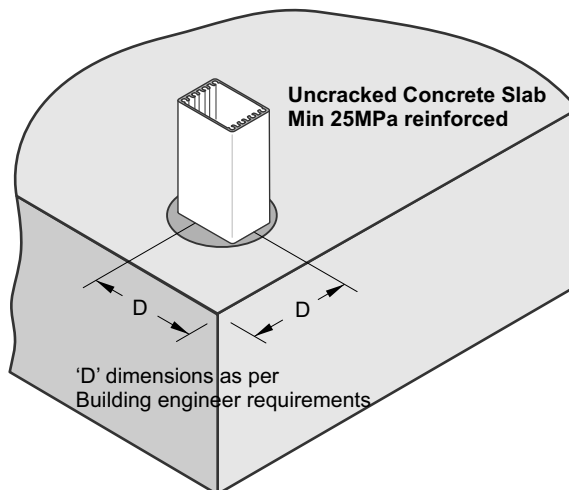
General Notes:

- 1 - Domestic Occupancy only A, A other and C3.
- 2 - Balustrade Height measured above Deck/FFL. 1000mm min
- 3 - Wind Zone as per NZS 3604:2011



Important Installation notes:

- 1 - The Project Engineer must ensure the structure can support the appropriate loads
- 2 - Substructure shown indicatively only
- 3 - A PVC Tape layer must completely surround the Post
- 4 - Mortar pocket 70mm sq or 85mm dia.
Avoid mortar splashes on exposed aluminium.
Wash off immediately.



Juralco Homestead® Balustrade System - Post Mounting Details

Typical FACE Fix to Concrete - JEC 137/65, Gutter Bracket - M10 Studs

**Up to and including
Extra High Wind Zone**

Balustrade Height above FFL (max)	Post C/L (max)
1075mm	1400mm

General Notes:

- 1 - Domestic Occupancy only A, A other and C3.
- 2 - Balustrade Height measured above Deck/FFL. 1000mm min
- 3 - Wind Zone as per NZS 3604:2011

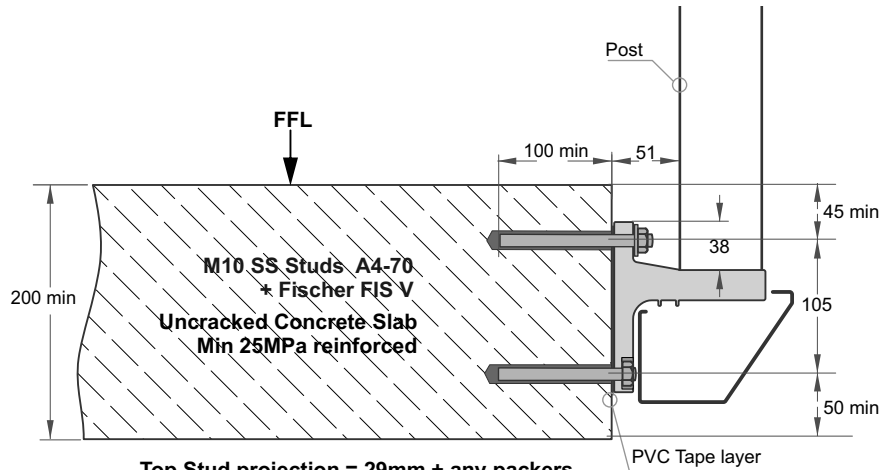


Installation details Fischer FIS V 300T

Thread diameter M10
 Drill hole diameter = 12 mm
 Drill hole depth = 110 mm
 Anchorage depth = 100 mm

Drilling method Hammer drilling
 Drill hole cleaning 4 times blowing,
 4 times brushing,
 4 times blowing

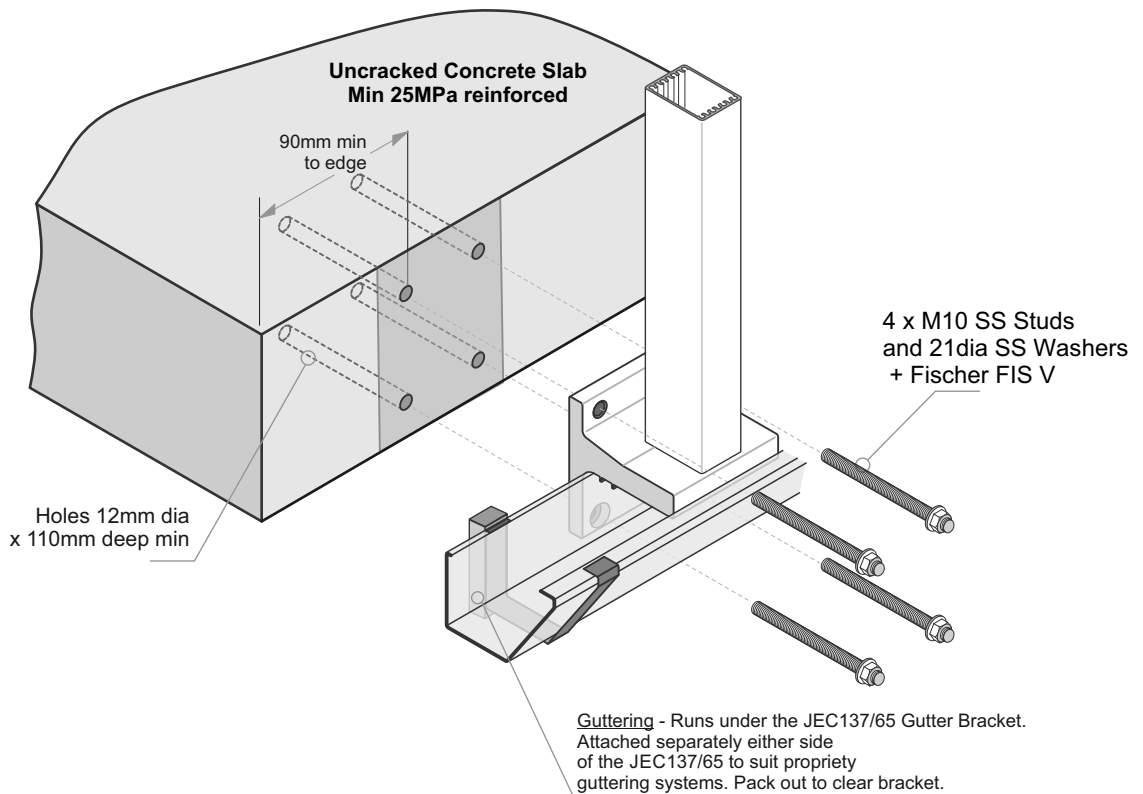
No borehole cleaning required in case of using a hollow drill bit, e.g. fischer FHD.



Top Stud projection = 29mm + any packers
 Bottom Stud projection = 20mm + any packers

Important Installation notes:

- 1 - The Project Engineer must ensure the structure can support the appropriate loads
- 2 - Substructure shown indicatively only
- 3 - All fixings must engage into the structural slab
- 4 - A PVC Tape layer must be installed between the Gutter Brkt and Concrete
- 5 - All fixings must be Stainless steel



Juralco Homestead® Balustrade Systems - Typical Post Fixing
Pre NZS3604:2011 - Single Boundary Joist + Block

Typical TOP Fix to Timber - JEC 221, 110mm x 90mm, 4 hole Base Plate - M10 Coachscrews or Bolts

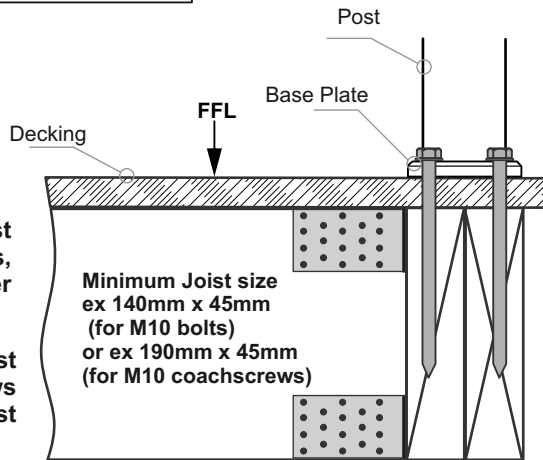
**Up to and including
Extra High Wind Zone**

Balustrade Height above FFL (max)	Post C/L (max)
1075mm	1400mm

The pre NZS3604:2011 mounting details are included for older, existing buildings. New buildings must comply with NZS3604:2011 - Double Boundary Joists

General Notes:

- 1 - Domestic Occupancy only A, A other and C3.
- 2 - Balustrade Height measured above Deck/FFL. 1000mm min
- 3 - Wind Zone as per NZS 3604:2011

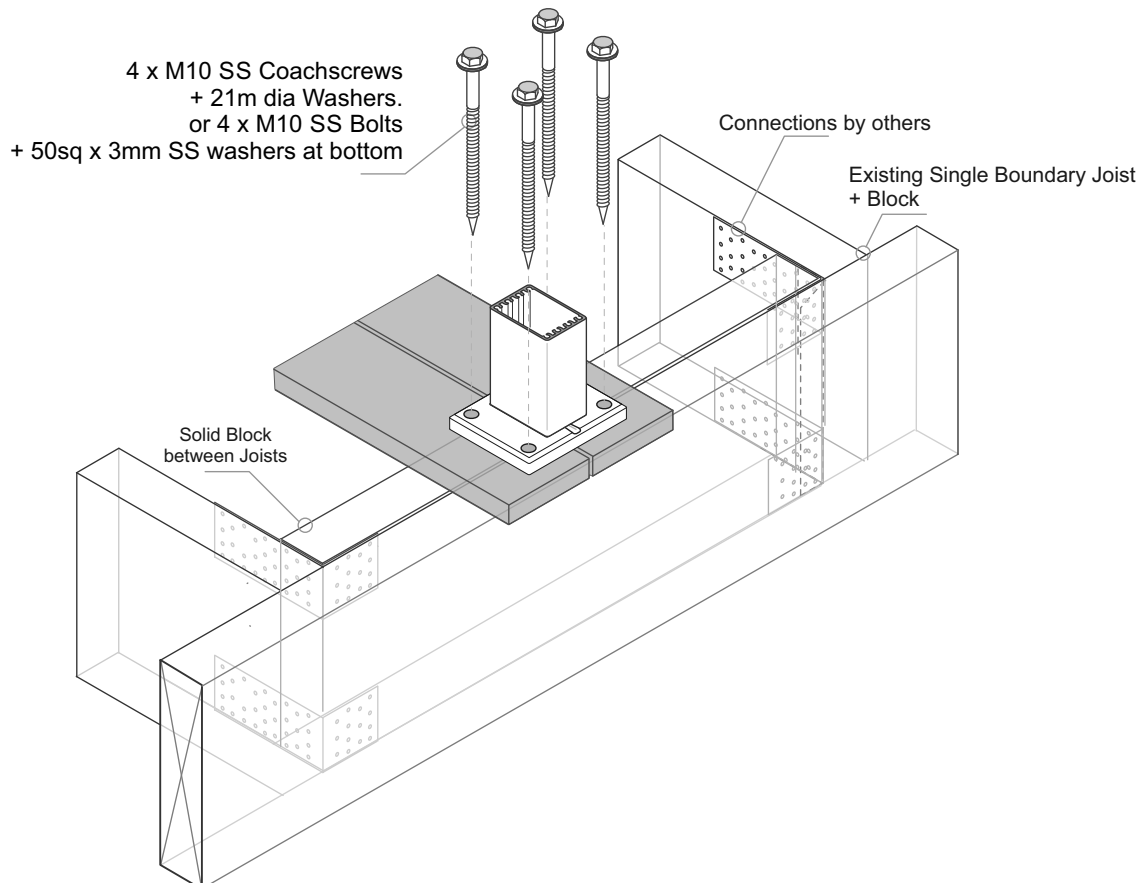


**For 140mm Joist
- 4 x M10 SS Bolts,
right through with nut & 40sqwasher**

**For 190mm Joist
- 4 x M10 SS Coachscrews
min 150mm into joist**

Important Installation notes:

- 1 - The Project Engineer must ensure the structure can support the appropriate loads
- 2 - Substructure shown indicatively only.
Timber SG8 minimum strength
- 3 - Coachscrews 150mm min engagement into joists.
All coachscrews drill 6mm holes
- 4 - Bond all coachscrews with SIKA Supergrip to full depth
- 5 - All Fixings must be Stainless steel



Juralco Homestead® Balustrade Systems - Typical Post Fixing
Pre NZS3604:2011 - Single Boundary Joist + Block

Typical TOP Fix to Timber - JEC 200, 110mm x 100mm, 4 hole Base Plate - M10 Coachscrews or Bolts

**Up to and including
Extra High Wind Zone**

Balustrade Height above FFL (max)	Post C/L (max)
1075mm	1400mm

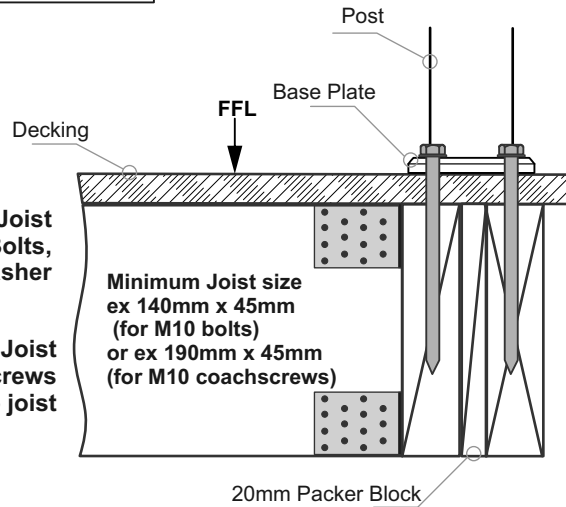
The pre NZS3604:2011 mounting details are included for older, existing buildings. New buildings must comply with NZS3604:2011 - Double Boundary Joists

General Notes:

- 1 - Domestic Occupancy only A, A other and C3.
- 2 - Balustrade Height measured above Deck/FFL. 1000mm min
- 3 - Wind Zone as per NZS 3604:2011

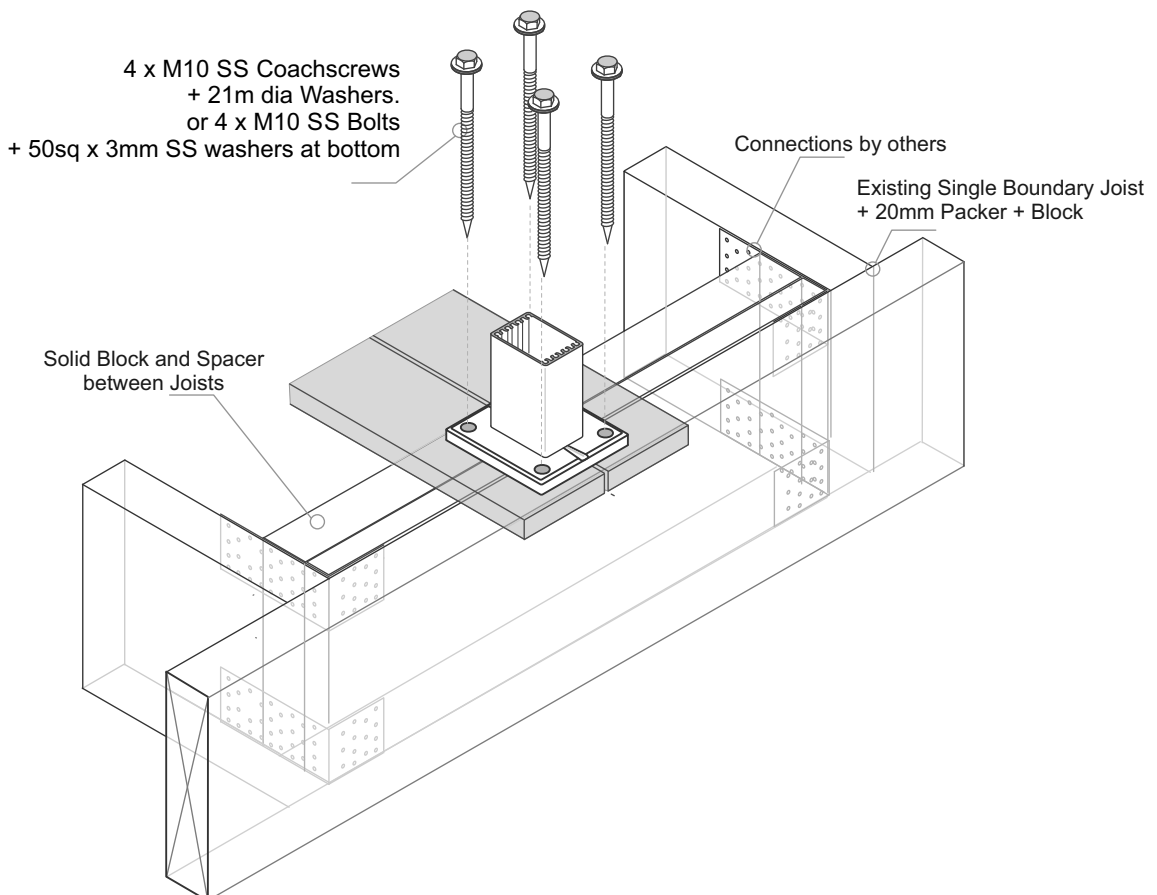
**For 140mm Joist
- 4 x M10 SS Bolts,
right through with nut & 40sqwasher**

**For 190mm Joist
- 4 x M10 SS Coachscrews
min 150mm into joist**



Important Installation notes:

- 1 - The Project Engineer must ensure the structure can support the appropriate loads
- 2 - Substructure shown indicatively only. Timber SG8 minimum strength
- 3 - Coachscrews 150mm min engagement into joists. All coachscrews drill 6mm holes
- 4 - Bond all coachscrews with SIKA Supergrip to full depth
- 5 - All Fixings must be Stainless steel



Juralco Homestead® Balustrade Systems - Typical Post Fixing
Pre NZS3604:2011 - Single Boundary Joist + Block

Typical FACE Fix to Timber - JEC 137/65, Gutter Bracket - M10 Coachscrews

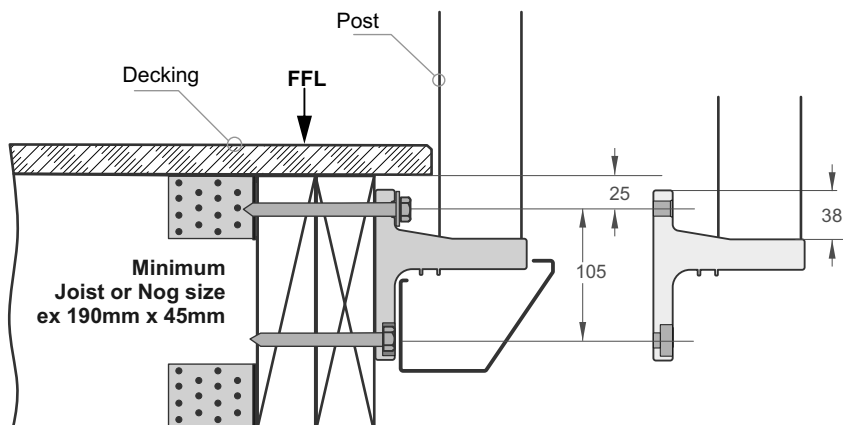
**Up to and including
Extra High Wind Zone**

Balustrade Height above FFL (max)	Post C/L (max)
1075mm	1400mm

The pre NZS3604:2011 mounting details are included for older, existing buildings. New buildings must comply with NZS3604:2011 - Double Boundary Joists

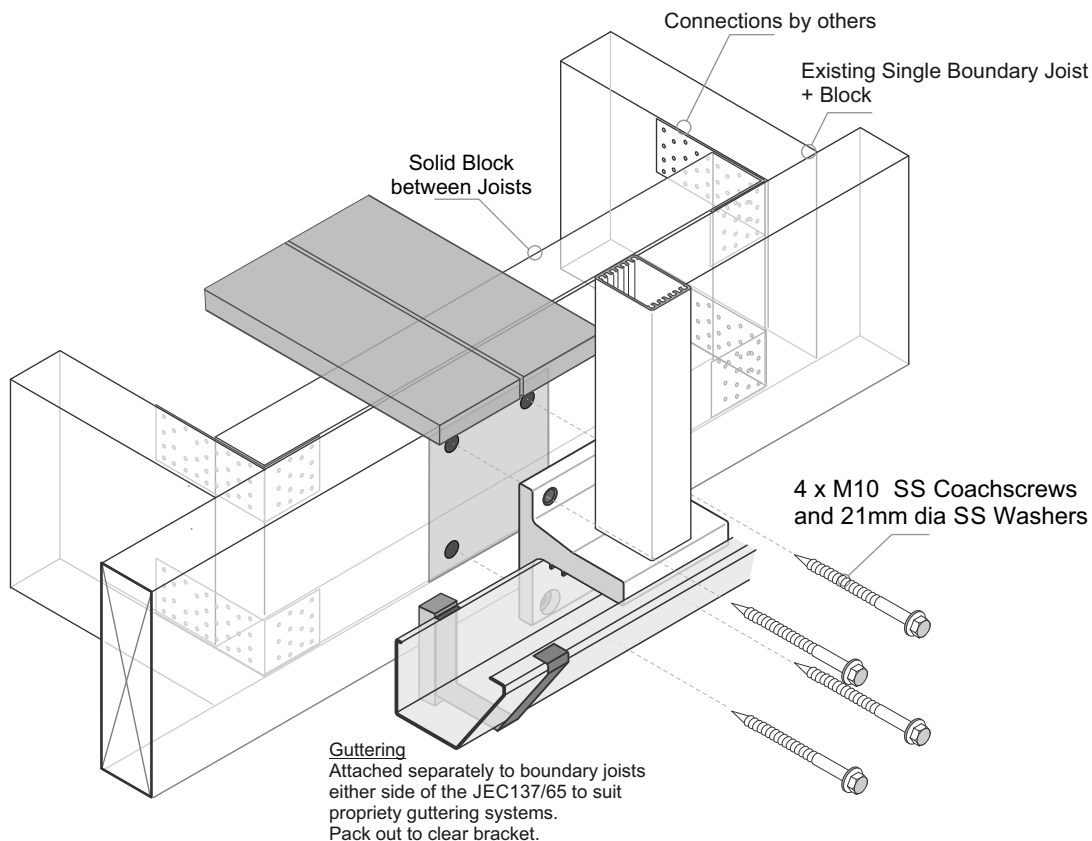
General Notes:

- 1 - Domestic Occupancy only A, A other and C3.
- 2 - Balustrade Height measured above Deck/FFL. 1000mm min
- 3 - Wind Zone as per NZS 3604:2011



Important Installation notes:

- 1 - The Project Engineer must ensure the structure can support the appropriate loads
- 2 - Substructure shown indicatively only. Timber SG8 minimum strength
- 3 - Coachscrews 90mm min engagement into joists. All coachscrews drill 6mm holes
- 4 - Bond all coachscrews with SIKA Supergrip to full depth
- 5 - All Fixings must be Stainless steel



Juralco Homestead® Balustrade Systems - Typical Post Fixing
Pre NZS3604:2011 - Single Boundary Joist + Block

Typical FACE Fix to Timber - JEC 137/65, Gutter Bracket - M10 Bolts, or Threaded Rod

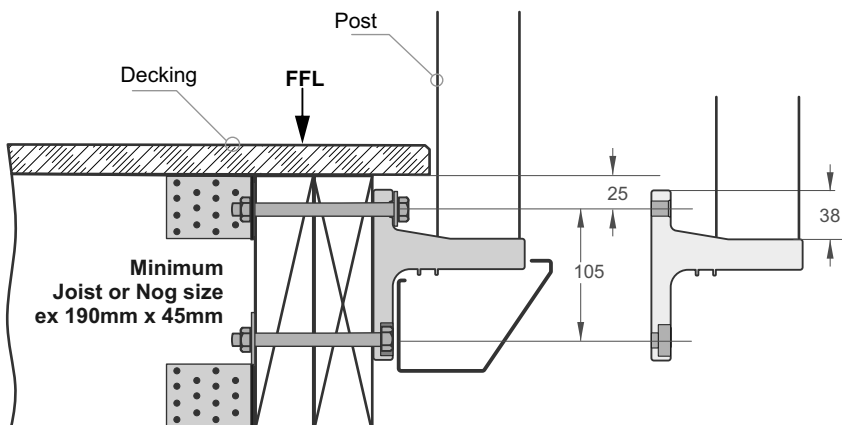
**Up to and including
Extra High Wind Zone**

Balustrade Height above FFL (max)	Post C/L (max)
1075mm	1400mm

The pre NZS3604:2011 mounting details are included for older, existing buildings. New buildings must comply with NZS3604:2011 - Double Boundary Joists

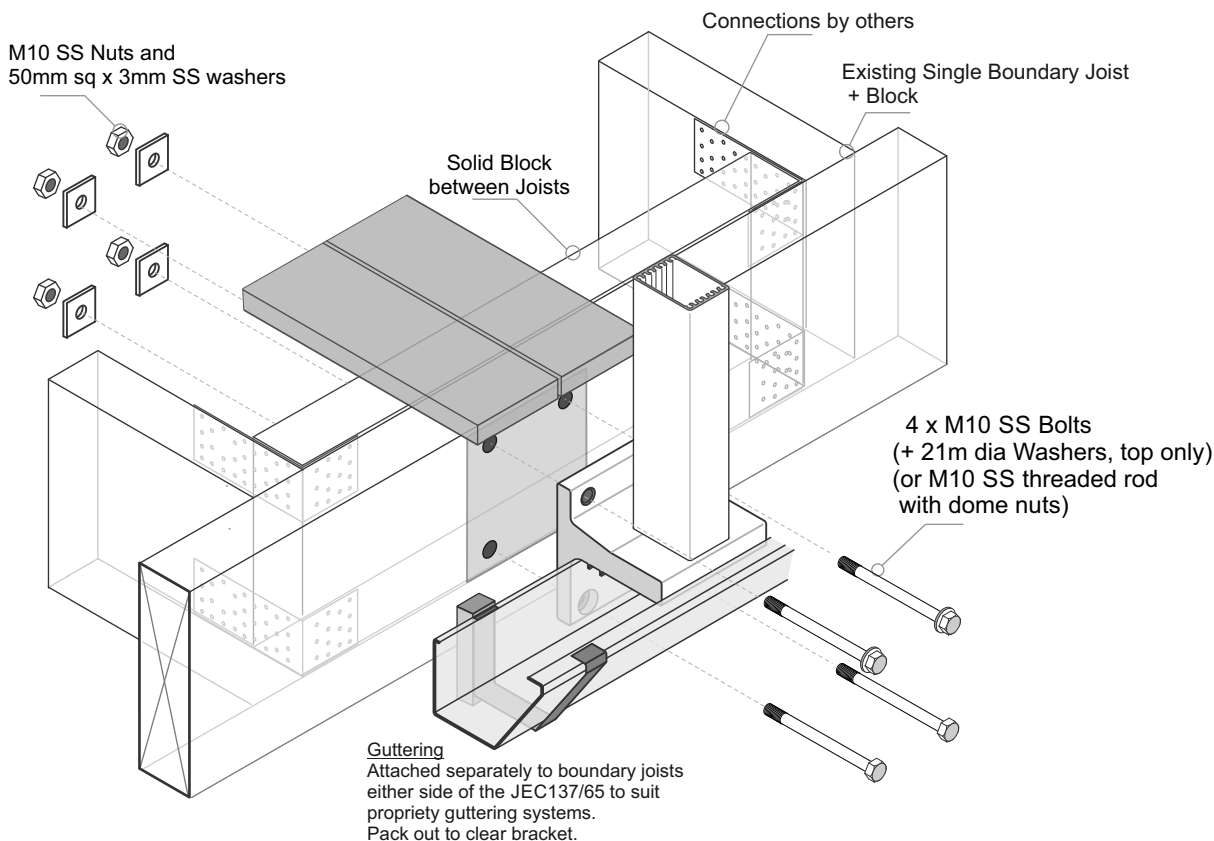
General Notes:

- 1 - Domestic Occupancy only A, A other and C3.
- 2 - Balustrade Height measured above Deck/FFL. 1000mm min
- 3 - Wind Zone as per NZS 3604:2011



Important Installation notes:

- 1 - The Project Engineer must ensure the structure can support the appropriate loads
- 2 - Substructure shown indicatively only. Timber SG8 minimum strength
- 3 - All Fixings must be Stainless steel



Juralco Homestead® Balustrade Systems - Typical Post Fixing Pre NZS3604:2011 - Single Boundary Joist + Block

Typical FACE Fix Post to Timber - M10 Bolts or Threaded Rod

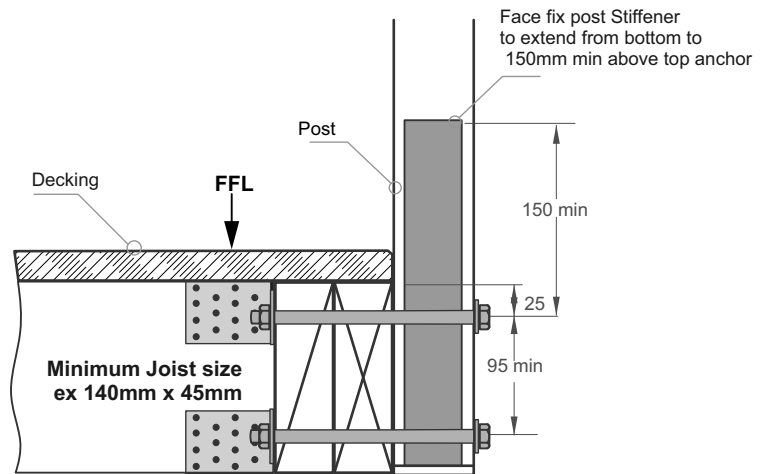
**Up to and including
Extra High Wind Zone**

The pre NZS3604:2011 mounting details are included for older, existing buildings. New buildings must comply with NZS3604:2011 - Double Boundary Joists

Balustrade Height above FFL (max)	Post C/L (max)
1075mm	1400mm

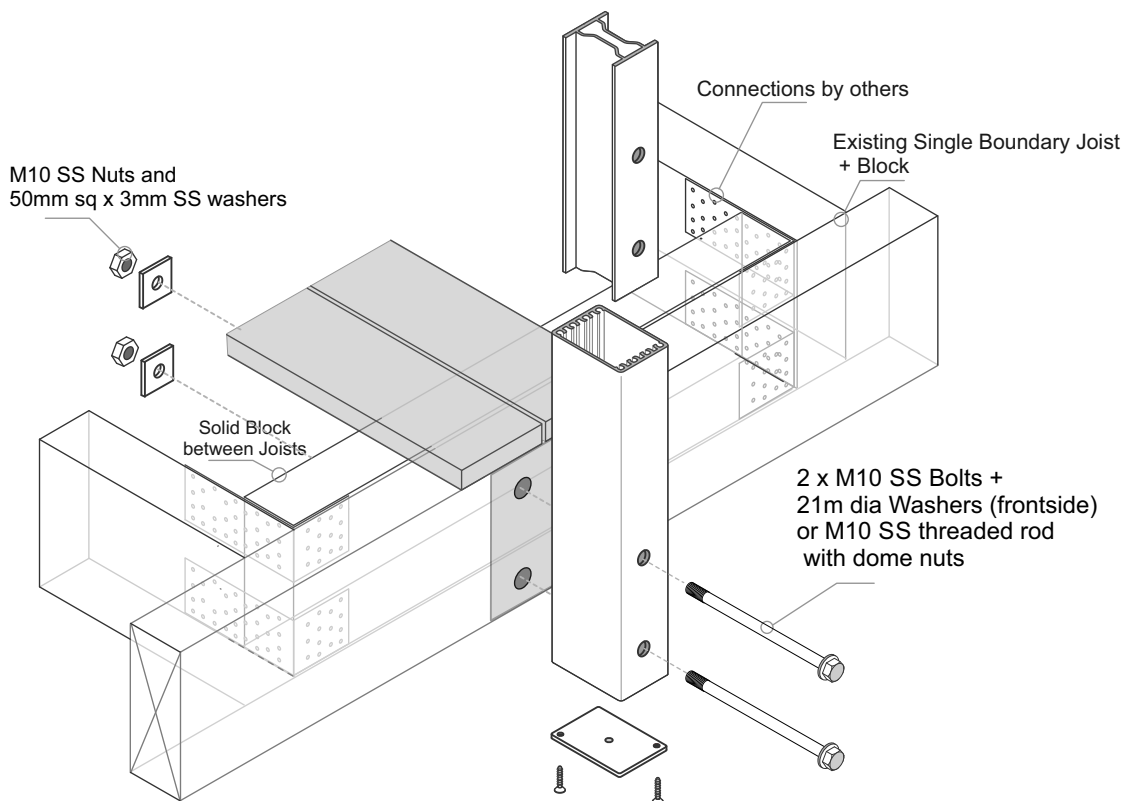
General Notes:

- 1 - Domestic Occupancy only A, A other and C3.
- 2 - Balustrade Height measured above Deck/FFL. 1000mm min
- 3 - Wind Zone as per NZS 3604:2011



Important Installation notes:

- 1 - The Project Engineer must ensure the structure can support the appropriate loads
- 2 - Substructure shown indicatively only.
Timber SG8 minimum strength
- 3 - All Fixings must be Stainless steel



Powder Coating Installation Care

Warning re use of solvents:

- In some cases strong solvents are recommended for thinning various types of paints and also for cleaning up mastics and sealants.
- These can be harmful to the extended life of the powder coated surface, and must not be used for cleaning purposes.
- It is important to note that the damage will not be visible immediately and may take up to 12 months to develop.

If paint splashes or sealants and mastics need to be removed then the following may be safely used:
Methylated Spirits, Ethyl Alcohol, Isopropanol or preferably a mild detergent in warm water.

Joinery Protection during Installation:

All the activity on a construction site means that your powder coated items may get knocked or scratched, splattered with mortar, plaster, textured coating or paint during the later stages of construction.

Please ensure that all powder coated articles are masked or covered at this time. It is far easier to prevent accidents than to try and correct them. Should your joinery receive mortar or paint splashes see that these are removed before cure and follow the instructions contained in this brochure.

Typical sticker used to warn other trades of the need to protect and mask off powder coated joinery (applies to anodised joinery also)

"IMPORTANT ALL TRADES"
This valuable aluminium joinery will suffer permanent damage from: plaster, mortar and paint splashes - Protect if splashes occur - Immediately wash down joinery with water or meths - Do not allow splashes to harden! ~ Do not use solvents! - Do not remove this label until final clean completed.

This photograph display damage that has occurred on site, post installation. The photo of the masked joinery displays clear signs of damage that could have occurred were it not masked. Please ensure that your joinery is protected right through the entire construction process.



Powder Coating Maintenance

External - Maintenance Program:

To extend the life of external powder coated articles and to comply with warranty requirements for powder coated aluminium joinery, a simple, regular maintenance program must be implemented.

The effects of ultra violet light, atmospheric pollution, dirt, grime and airborne salt deposits will all accumulate over time and must be removed or surface staining and weathering will occur, leading to an unsightly appearance.

For external coatings, cleaning should take place every six months. In areas where pollutants are more prevalent, such as beachfront houses and industrial or geothermal areas, then a cleaning program should be carried out on a more frequent basis ie. every one to three months.

Fences or Balustrades in close proximity to swimming pools must be washed down every six months, to clean off chlorine and salt deposits.

Cleaning your powder coating:

1. Carefully remove any loose surface deposits with a wet sponge.
2. Use a soft brush (non abrasive) and a mild household detergent (do not use solvents) in warm water, remove dust, salt and other deposits.
3. Rinse off with clean fresh water.



Restoring weathered or scratched surfaces:

Repair of Scuffed or Scratched surfaces
Dulux Spray Cans are available in all colour card colours.

Repair of Small Scratches or Chips.
Dulux Dabsticks are ideally suited for the repair of small scratches.
Dabsticks may not be available in all colour card colours.

Repair of Weathered areas .
Dulux Gloss Up is a light to medium cutting cream ideally suited for gloss restoration and has been specifically designed for this purpose.
Gloss Up contains no waxes or silicone and is a one step system.



Contact Dulux Powder Coatings , ph 0064 9 441 8244

All pages © Copyright Juralco Aluminium Building Products Ltd, 2024