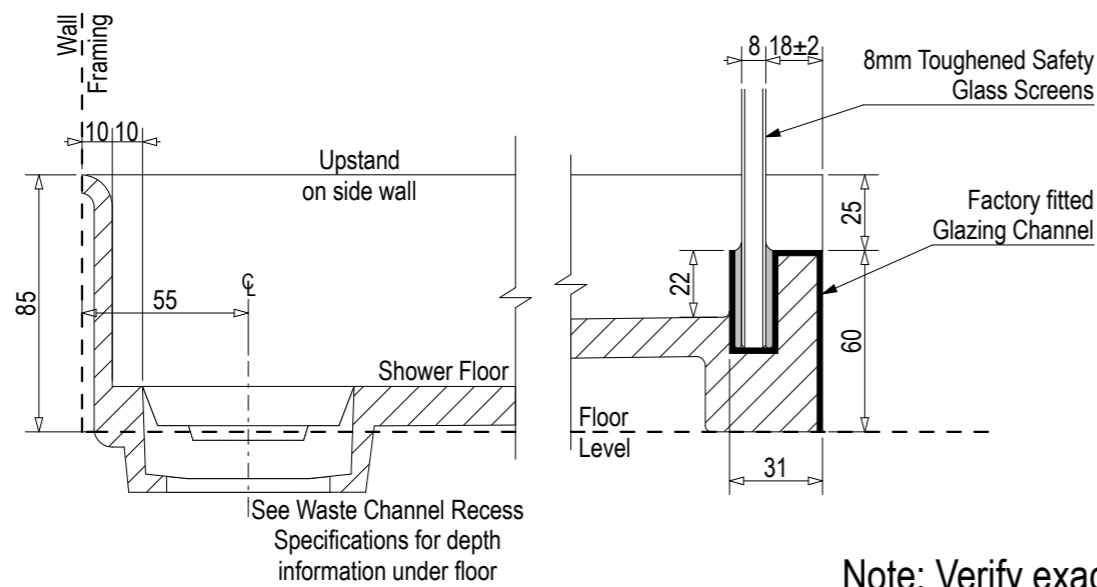
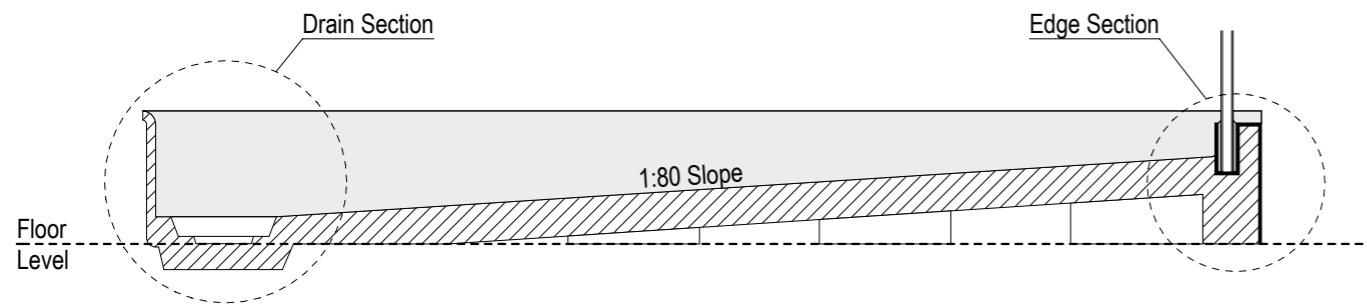
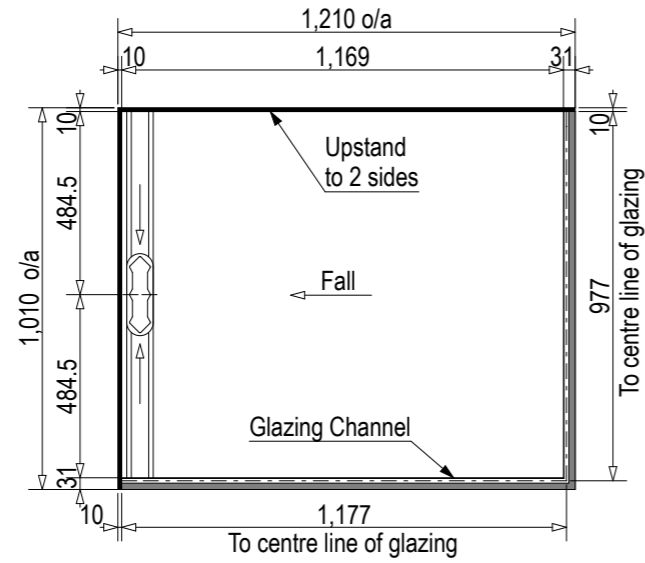


## Step Entry

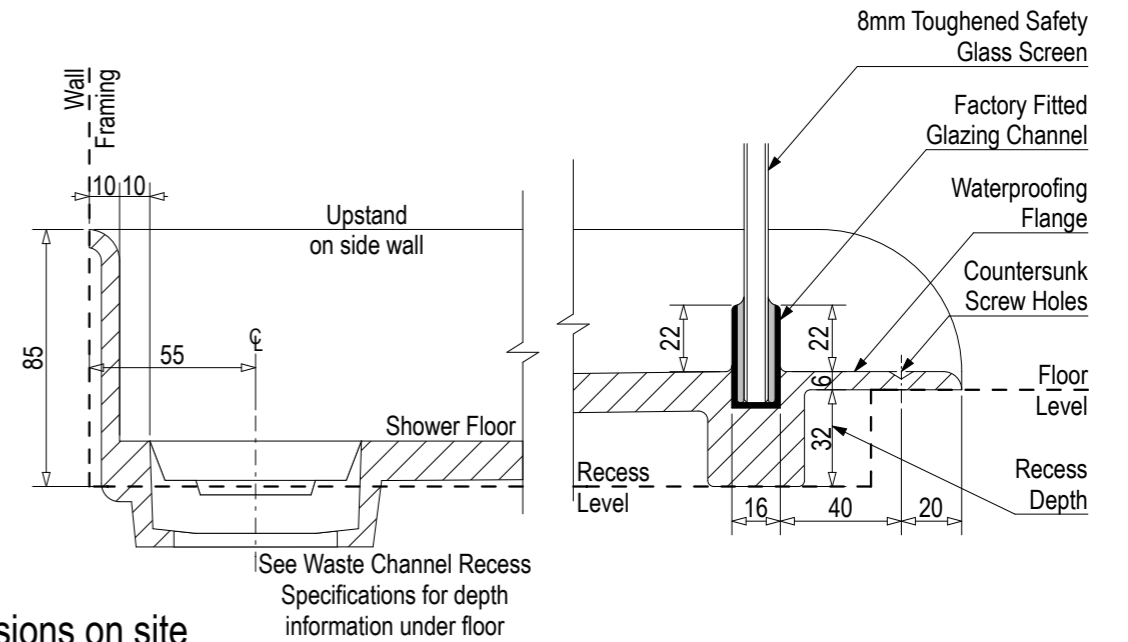
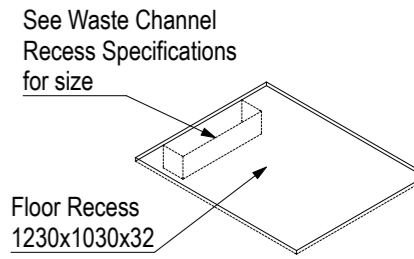
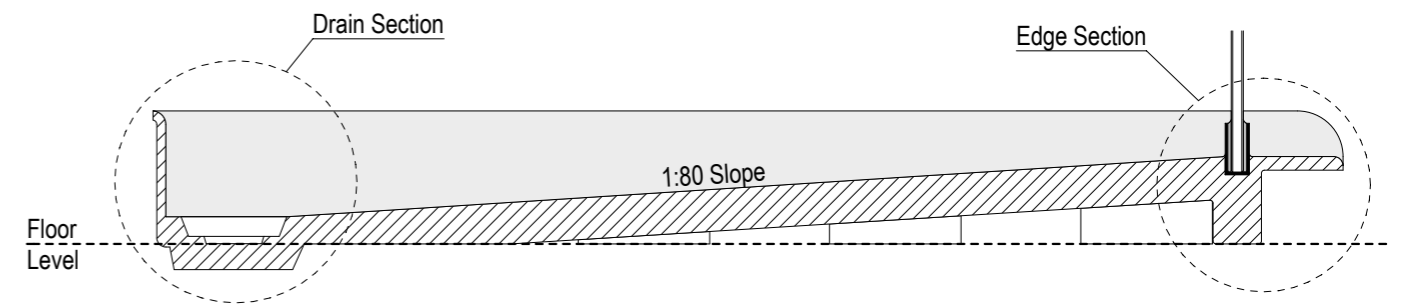
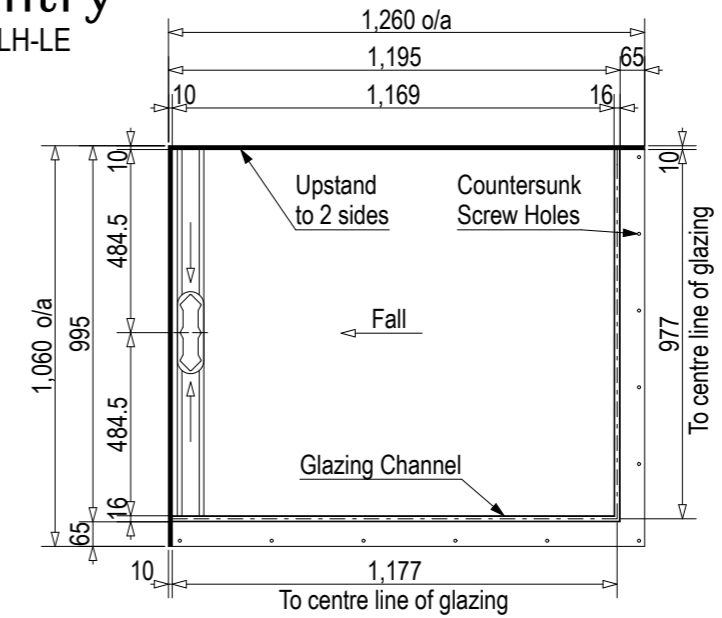
SKU: LQ-SHA-LH-ST



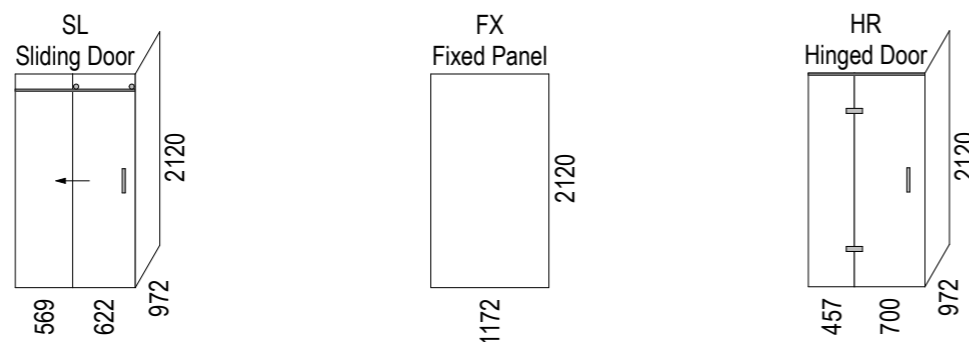
Note: Verify exact shower base dimensions on site

## Level Entry

SKU: LQ-SHA-LH-LE



## Screen Options:



For more product information go to:

[www.atlantis.co.nz/shop/linea-quattro/shanghai-1200x1000/](http://www.atlantis.co.nz/shop/linea-quattro/shanghai-1200x1000/)

For installation instructions go to:

[www.atlantis.co.nz/trade/installation/](http://www.atlantis.co.nz/trade/installation/)

## AQUAPLANE WASTE FITTING

- EasyClean Waste with in-built trap
- 50L/min ultra flow rate
- Removable fin for easy cleaning
- 40/50mm outlet with swivel fitting
- Components bolt together for guaranteed watertightness

