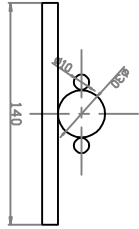
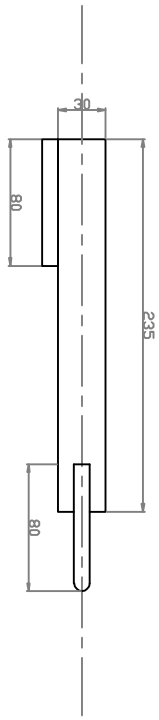


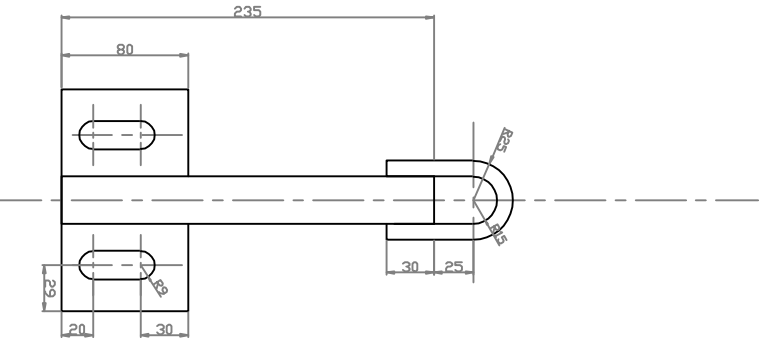
Elevation A
Scale 1:1



Elevation B
Scale 1:1



Elevation C
Scale 1:1



SE005 Roof Anchor Plan
Scale 1:1