



# EzyBrace<sup>®</sup> Systems

Specification and installation manual



CBI 5113

AUGUST 2016

## **NATIONAL SUPPORT**

**VISIT:** Winstone Wallboards Limited  
37 Felix Street, Penrose,  
Auckland 1061, New Zealand

**POST:** PO Box 12 256, Penrose 1642,  
Auckland, New Zealand

**PHONE:** +64 9 633 0100

**FAX:** +64 9 633 0101  
Free Fax: 0800 229 222

**EMAIL:** [info@gib.co.nz](mailto:info@gib.co.nz)

**WEB:** [gib.co.nz](http://gib.co.nz)

## **GIB® HELPLINE**

0800 100 442



Based on learnings derived from the 2011 Canterbury earthquakes GIB EzyBrace® Systems have been updated to offer improved design flexibility and further simplification of the bracing design and build process.

#### **NEW GIB EZYBRACE® 2016 DESIGN SOFTWARE**

- Improved user interface with simplified bracing design process.
- Increased functionality including exterior line check function, easy insert/deletion of bracing elements and built in software help function.
- Includes the new GIB® Bracing element GS2- NOM
- Allows the GIBFix® Framing System to be used in GIB EzyBrace® designs.

#### **NEW GIB® BRACING ELEMENT GS2-NOM**

- Allows internal walls lined with GIB® plasterboard on both sides and fastened off as per the standard fixing requirements of the current GIB® Site Guide to contribute to bracing resistance.
- Potentially reduces the amount of fasteners<sup>1</sup>
- Encourages more even bracing distribution throughout the building.

<sup>1</sup> Actual savings dependent on building and bracing design

#### **UPDATE TO OPENINGS IN BRACING ELEMENTS AND CEILING DIAPHRAGMS**

- Large hole specification updated to use a more conservative methodology.
- Guidance included for fireplace flues and range hoods.

#### **NEW – GIBFIX® FRAMING SYSTEM**

- Reduced potential for fastener pop and joint cracking as a result of timber frame movement.
- Reduced potential for on-site call backs.
- Improved thermal performance.
- Reinforced plasterboard junctions.

## CONTENTS

<b>System Summary</b>	<b>5</b>
GIB EzyBrace® Systems — August 2016	5
GIB® Plasterboard Substitution Table	5
<b>Introduction</b>	<b>6</b>
Scope of Use	6
Finish Quality — Framing and Substrates	6
New GIBFix® Framing Systems	6
New GS2-NOM Bracing Element	6
Compliance with the NZ Building Code	7
CAD Design Detail	7
Appraisal	7
<b>Bracing Resistance and Demand</b>	<b>8</b>
Bracing Resistance	8
Bracing Demand	9
Software Functionality	10
<b>Design and Construction</b>	<b>12</b>
GIB® Plasterboard Linings	12
GIB EzyBrace® Systems in Water-Splash Areas	12
Renovation	12
Openings in Bracing Elements	12
Timber Framing	13
GIBFix® Framing System (Alternative Layout)	13
Guidelines for Intersection Walls	13
Top Plate Connections	14
Parapets and Gable End Walls	14
Bottom Plate Fixing	14
Bracing Strap Installation	15
GIB HandiBrac® Installation	16
GIB HandiBrac® Placement with GIBFix® Framing	17
System Layout	17
Ceiling Diaphragms	18
Ceiling Battens in Ceiling Diaphragms	19
Openings in Ceiling Diaphragms	20
Length of GIB EzyBrace® Elements ('N' Type)	21
Length of GIB EzyBrace® Elements ('H' Type)	22
<b>System Specifications</b>	<b>23</b>
GIB EzyBrace® Systems Specification — GS1-N	23
GIB EzyBrace® Systems Specification — GS2-NOM	24
GS2-NOM Adhesive Fixing Option at Door Jambs	25
GIB EzyBrace® Systems Specification — GS2-N	26
GIB EzyBrace® Systems Specification — GSP-H	27
GIB EzyBrace® Systems Specification — BL1-H	28
GIB EzyBrace® Systems Specification — BLG-H	29
GIB EzyBrace® Systems Specification — BLP-H	30
<b>Sustainability and the Environment</b>	<b>31</b>

## GIB EzyBrace® Systems — August 2016

Winstone Wallboards Ltd accepts no liability if GIB EzyBrace® Systems are not designed and installed in strict accordance with instructions contained in this publication.

### USE ONLY THE CURRENT SPECIFICATION

This publication may be superseded by a new publication at any time. Winstone Wallboards accepts no liability for reliance upon publications that have been superseded. Check for the current publication at [gib.co.nz/library](http://gib.co.nz/library) before using this publication. If you are unsure whether this is the current publication, call the GIB® Helpline on 0800 100 442.

GIB EzyBrace® 2011 software and specification literature remains valid until further notice.

### PATENTS

GIBFix® Framing System and GIB EzyBrace® Systems, including componentry and design method, have patents pending (NZ Patent Number 596691, NZ Patent 709159 pending) and design and other IP rights reserved.

## Beware of substitution

The performance of GIB® Systems are very sensitive to design detailing and construction practices. All GIB® Systems have been developed specifically for New Zealand conditions and independently tested or assessed to ensure the required level of performance. It is important to use only GIB® branded components where specified and to closely follow the specified design details and construction practices, to be confident that the required level of performance and quality is achieved on site.

For further information call our GIB® Helpline on 0800 100 442.

GIB EzyBrace® Systems have been designed and tested using only the products specified. When additional GIB® plasterboard properties are required the table below provides acceptable alternative options.

Specified GIB® plasterboard	Acceptable alternative GIB® plasterboards								
	GIB® Standard	GIB Ultraliner®	GIB Braceline/Noiseline®	GIB Aqualiner®	GIB Toughliner®	GIB Fyreliner®			
						10mm	13mm	16mm	19mm
GIB® Standard		OK	OK	OK	OK	Note 1 and 3			
GIB Braceline®	X	X		Note 2	OK	X	Notes 1, 2 and 3		

**Note 1** The fastener type and length must be as required for the relevant FRR system using the perimeter fixing pattern illustrated for the relevant bracing specification.

**Note 2** The element must be 900mm or longer. Decrease perimeter fastener centres to 100mm. The bracing corner fastening pattern, as illustrated for the relevant specification applies to all four corners of the element. Panel hold-down fixings are required.

**Note 3** Specify traditional wall framing layout (see figure 1) where a Fire Resistance Rating (FRR) is required.

## Scope of use

This document is a guide to wall bracing of light timber frame (LTF) buildings constructed in accordance with NZS3604:2011 Timber Framed Buildings and presents a simple and efficient method for calculating and incorporating bracing resistance. This information draws on recent experiences from seismic activity in New Zealand and seeks to minimise earthquake damage to plasterboard linings in LTF buildings.

This document outlines the main principles of bracing design and construction using GIB® plasterboard products and systems. Further detailed information can be found in the GIB® Bracing Supplement by visiting [gib.co.nz/library](http://gib.co.nz/library). This 'live' on-line document is updated continuously in response to market feedback and Winstone Wallboards' development initiatives.

## Finish quality — framing and substrates

Home owners are increasingly demanding a high quality of interior finish. Finish quality is heavily influenced by the substrate to which linings are fixed. Detailed information on 'Levels of Finish' is given in AS/NZS 2589 and the latest version of the GIB® Site Guide.

## New GIBFix® Framing System

With increased NZ Building Code requirements and growing customer demand for thermal efficiency and high quality interior finishes, traditional framing practices present problems such as multiple framing members at wall intersections creating thermal 'bridges' and cavities where insulation cannot be installed effectively.

Figure 1 shows a traditional wall framing layout. Figure 2 shows the alternative GIBFix® Framing System layout.

Multiple timber framing members also take longer to dry resulting in an increased risk of fastener pops and blemishes resulting from timber frame movement.

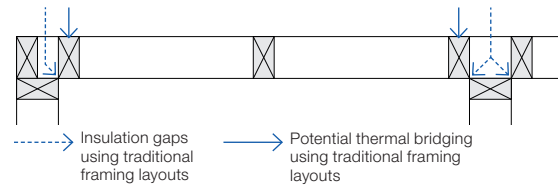
The GIBFix® Framing System offers better thermal efficiencies and minimises potential joint imperfections resulting from interior linings being fixed to multiple timber framing members.

The GIBFix® Framing System can be used in conjunction with GIB EzyBrace® Systems.

Bracing resistance is not affected by the GIBFix® Framing System if the use of this alternative timber framing layout is preferred. Refer to the GIBFix® Framing System literature for more information.

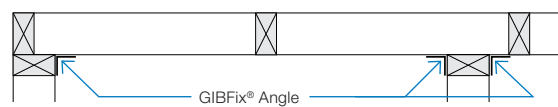
Bracing ratings apply whether fixing is directly into timber or into the metal components, provided correct construction details, fastener types and centres are applied.

FIGURE 1: TRADITIONAL WALL FRAMING LAYOUT



GFS004

FIGURE 2: GIBFix® FRAMING SYSTEM (ALTERNATIVE LAYOUT)



GFS005

## NEW GS2-NOM Bracing Element

The new GS2-NOM bracing element allows most homes to be braced with a single lining type and less fixings so that a high quality finish is maintained throughout.

GS2-NOM permits the contribution of 'nominally fixed' internal walls. Higher performance elements are commonly specified on external walls and where limited wall area is available or adjacent to significant openings.

Winstone Wallboards recommends the use of the GIBFix® Framing System in conjunction with GS2-NOM elements. Key benefits of this approach include:

- Reduced potential for fastener pop and joint cracking of plasterboard linings.
- Enhanced thermal performance.
- Allows internal walls lined with GIB® plasterboard on both sides and fastened off as per the standard fixing requirements of the current GIB® Site Guide to contribute bracing resistance.
- Potentially reduces the amount of fasteners!
- Encourages more even bracing distribution throughout the building.

1. Actual savings dependent on building and bracing design.

## Compliance with the NZ Building Code

### **NZBC CLAUSE B1 – STRUCTURE**

The design and material specification for steel and timber framing used in conjunction with this literature must be in accordance with the performance requirements of NZBC Clause B1. GIB EzyBrace® Systems comply with the requirements of NZS 3604:2011, when designed and installed in accordance with this publication and relevant technical literature. NZS 3604:2011 is an acceptable solution to NZBC Clause B1.

### **NZBC CLAUSE B2 – DURABILITY**

Under normal conditions of dry internal use GIB EzyBrace® Systems have a service life in excess of 50 years and satisfy the requirements of NZBC Clause B2. When in conditions of dry internal use, the components specified in this literature satisfy the requirements of NZBC Clause B2.

GIB® EzyBrace® Systems must not be specified in areas where 15 year durability applies and where linings are subject to direct water pressure, e.g. shower cubicle or shower over bath situations.

### **NZBC CLAUSE F2 – HAZARDOUS BUILDING MATERIALS**

Under normal conditions of use, during handling, installation or serviceable life, the products detailed in GIB EzyBrace® Systems do not constitute a health hazard and meet the provisions of the NZBC Clause F2.

### **NZBC CLAUSE H1 – ENERGY EFFICIENCY**

Buildings must be constructed to achieve an adequate degree of energy efficiency and the building envelope must provide adequate thermal resistance. The required thermal resistance (R-value) of timber framed external walls depends on climate zone but is commonly in the range from R 1.9 to R 2.0.

## CAD design details

Where applicable drawings related to GIB EzyBrace® Systems have been produced for CAD design. These are identified by a unique number in the bottom corner of each detail box. CAD design details can be found at [gib.co.nz/library](http://gib.co.nz/library).

## Appraisal

GIB EzyBrace® Systems 2016 have been appraised by the Building Research Association of New Zealand (BRANZ), Appraisal No. 928 (2016) GIB EzyBrace® Systems, 2016.

It is of prime importance to comply with the details of design, construction and workmanship in this document.

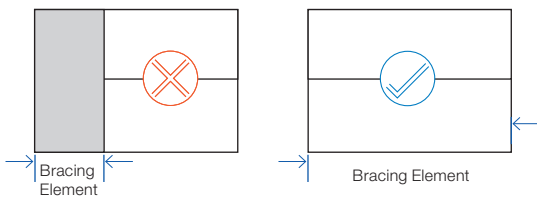


## Bracing resistance

### WALL BRACING LAYOUT

When designing the bracing layout, carefully consider the final finished appearance and utilise full wall lengths where possible, avoiding unnecessary fastenings in the centre of a clear wall. Using the available wall length provides additional bracing and achieves improved aesthetics.

FIGURE 3: WALL BRACING LAYOUT



### BRACING DISTRIBUTION

Distribute bracing by drawing a grid pattern of bracing lines along and across the building. Bracing lines must coincide as much as possible with the wall bracing elements. Pairs of elements may be counted on a single line provided they are no more than 2 metres apart and parallel. See figure 4.

Locate bracing evenly throughout the building and as close as practical to corners of external walls.

Space bracing lines no more than:

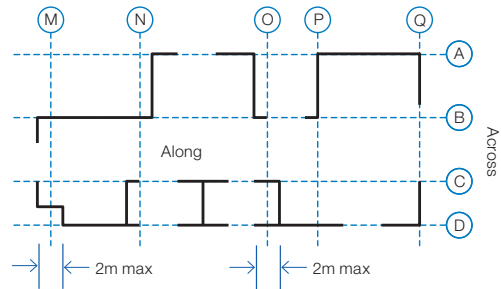
- 6 metres for standard construction with any GIB® plasterboard ceiling, or
- 7.5 metres where dragon ties in accordance with NZS3604:2011 have been installed, or
- 12 metres with a GIB® plasterboard ceiling diaphragm.

The construction of ceiling diaphragms is described in detail on p.18–20.

NZS3604:2011 requires that no bracing line shall have a capacity less than the greater of:

- 100 Bracing Units (BUs), or
- 15 x the external wall length (BUs) for bracing lines coinciding with external walls, or
- 50% of the total demand (D) divided by the number of lines (n) in the direction being considered (BUs).

FIGURE 4: BRACING GRID LAYOUT



The NZS3604 'rules' are merely minimum guidelines and compliance with them does not in itself ensure even distribution. The designer is responsible for checking distribution. Poor distribution can cause torsional effects and localised or more significant damage in an earthquake event.

### GIB EZYBRACE® SYSTEMS

The GIB EzyBrace® Specification Numbering System (and sub-components thereof) is protected by copyright and makes specification and identification of GIB EzyBrace® Systems transparent.

- 'GS' stands for GIB® Standard.
- 'BL' for GIB Braceline®.
- 'P' for plywood.
- '1' and '2' for linings one or both sides.
- 'N' stands for 'no specific panel hold-down fixings'.
- 'H' stands for 'specific panel hold-down fixing' required.
- 'NOM' stands for 'nominal plasterboard fixing'. This refers to the standard fixing method used to install plasterboard as shown in the current GIB® Site Guide.

Where specific hold-down fixings are specified, refer to p.15-16. GIB HandiBrac® is fully contained within the framing cavity and does not interfere with lining installation and quality of finish.

Where no specific hold-down fixings are required, the minimum NZS3604:2011 bottom plate fixings apply.

Full bracing element construction details are provided in this technical literature.

Further general design and construction information can also be found in our GIB® Bracing Supplement by visiting [gib.co.nz/library](http://gib.co.nz/library).

### Specifying GIB EzyBrace® elements (minimum wall length 400mm)

Inside lining external walls.	Nominate available lengths of wall as GS1-N elements. Use BL1-H if higher ratings are required. If the other side of the frame is lined with plywood consider GSP-H or BLP-H elements or use alternative proprietary bracing systems.
Internal walls (only one side available for bracing).	Nominate available lengths of wall as GS1-N elements. Use BL1-H if higher ratings are required.
Internal walls (both sides available for bracing).	Nominate available length of wall as GS2-NOM elements. Change to GS1-N if higher ratings are required. Change to GS2-N if higher ratings are required. Change to BLG-H for even higher ratings. Consider GSP-H or BLP-H if the opposite side is lined with plywood.



## Bracing demand

### GIB EZYBRACE® CALCULATOR

The GIB EzyBrace® calculator is a software tool to determine the wind and earthquake bracing demand and to design the bracing resistance for light timber-framed buildings constructed in accordance with NZS 3604:2011.

The updated GIB EzyBrace® calculator combines an up-to-date user-friendly interface with the latest knowledge relating to the performance of GIB® plasterboard in light timber-framed structures when subjected to high winds or earthquakes. The calculator can be down-loaded free of charge by visiting [gib.co.nz/ezybrace](http://gib.co.nz/ezybrace) and can be installed on either Microsoft® or Apple® Mac environments.

### DEMAND

Wind and Earthquake ‘Demand’ calculates the forces a structure must be able to resist during its ‘design life’. The GIB EzyBrace® calculator’s Demand sheet determines the number of Bracing Units required depending on building location, building dimensions and materials used. The Demand sheet closely follows the familiar format of our Excel based GIB EzyBrace® calculator, and includes additional features such as a pop-up help facility explaining required input.

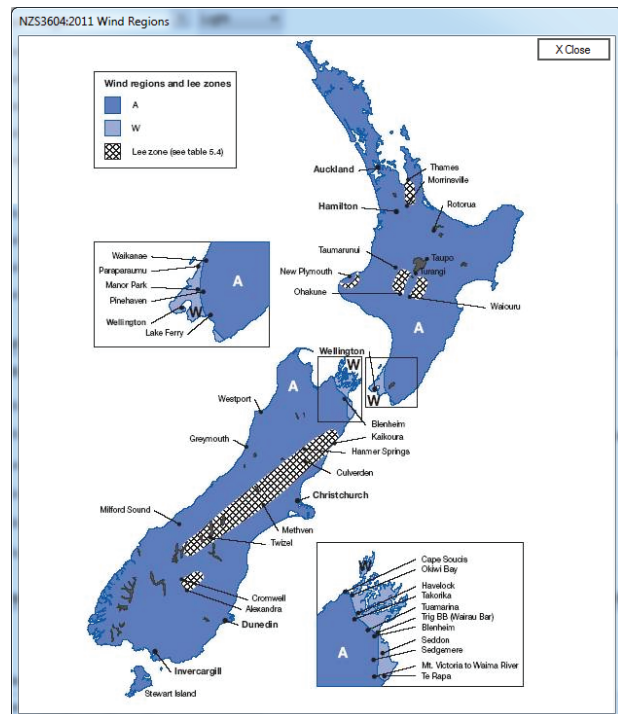
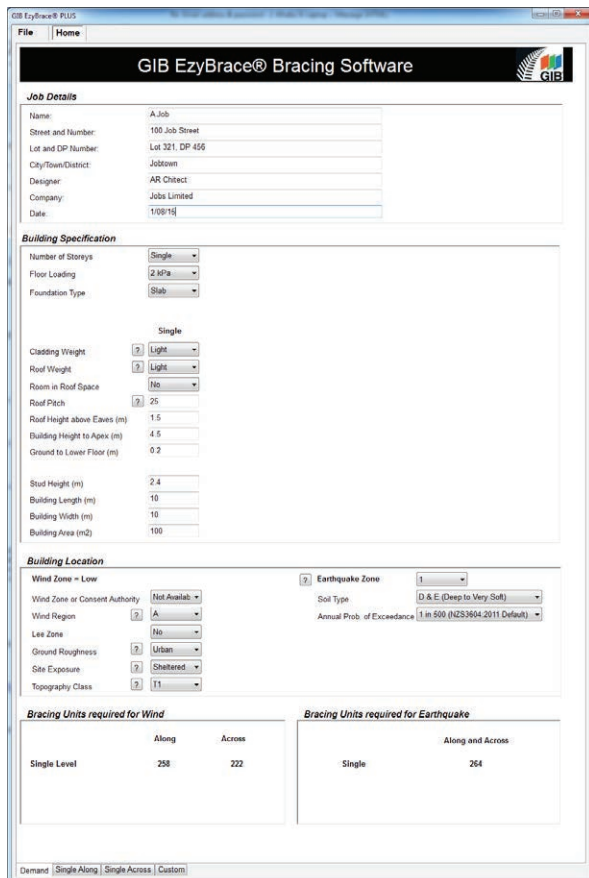
Bracing resistance sheets (‘tabs’) are added depending on the building specification entered. For example, subfloor bracing resistance tabs only show when a ‘subfloor’ foundation type has been selected.

The Demand sheet gives the designer the option to select a longer earthquake return period which represents a higher earthquake design force. The default for buildings constructed in accordance with NZS3604:2011 is an earthquake that has a 10% chance of being exceeded within the assumed 50 year ‘design life’ of a light timber framed residential structure, a ‘return period’ of 500 years.

Many commercial and public buildings are designed for the more stringent requirement of a 10% probability of exceedance in a 100 or 250 year life expectancy.

A screen shot of the GIB EzyBrace® 2016 Demand Sheet and Help Facility is shown in figure 5.

FIGURE 5: GIB EZYBRACE® 2016 – DEMAND CALCULATION SHEET AND ‘POP UP’ HELP FACILITY



[Download GIB EzyBrace® 2016 design software from gib.co.nz/ezybrace](http://gib.co.nz/ezybrace)

## Software functionality

Innovations adopted in the GIB EzyBrace® 2016 bracing 'resistance' calculation sheets include the ability to easily add and delete lines and elements during calculations.

The software compares bracing resistance achieved with demand and for wall bracing lines incorporating external walls, the external wall length can now be entered to check minimum

bracing units required on that line. The NZS 3604:2011 rules and associated software output are not the only check.

Designers must additionally check the building layout to ensure adequate bracing distribution.

Figures 6 and 7 show screen shots of the Wall and Subfloor Resistance Sheets respectively.

FIGURE 6: GIB EZYBRACE® 2016 — WALL BRACING RESISTANCE CALCULATION SHEET

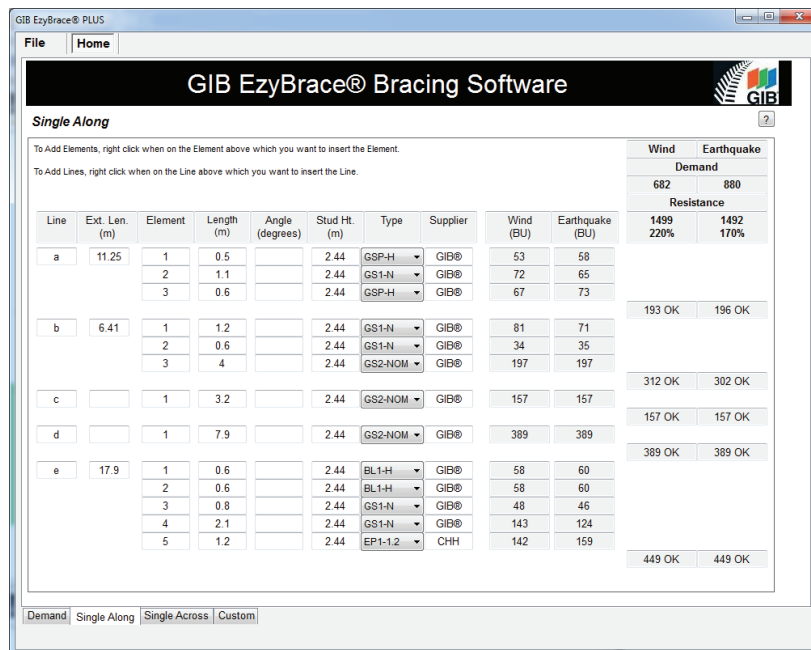
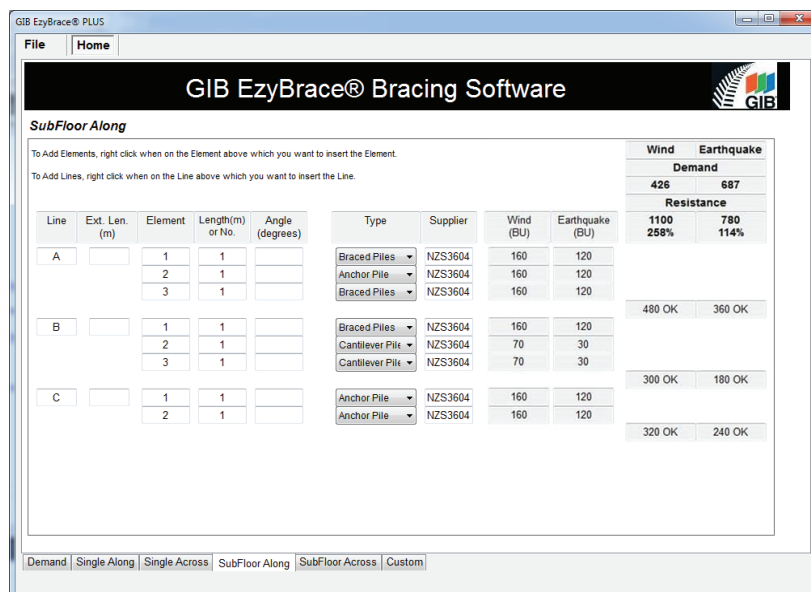


FIGURE 7: GIB EZYBRACE® 2016 — SUBFLOOR BRACING RESISTANCE CALCULATION SHEET

Download GIB EzyBrace® 2016 design software from [gib.co.nz/ezybrace](http://gib.co.nz/ezybrace)



## Software functionality

Custom elements can be entered by accessing the 'custom' tab as shown in figure 8.

FIGURE 8: GIB EZYBRACE® 2016 — CUSTOM ELEMENTS SHEET

Supplier	System	Min. Length m	Wind BU/s/m	EQ BU/s/m	Element Height Dependant	Element Foundation Dependant
Custom1	CU1-0.4	0.4	80	95	<input checked="" type="checkbox"/>	<input checked="" type="checkbox"/>
Custom1	CU1-0.6	0.6	95	105	<input checked="" type="checkbox"/>	<input checked="" type="checkbox"/>
Custom1	CU1-1.2	1.2	120	135	<input checked="" type="checkbox"/>	<input checked="" type="checkbox"/>
Custom2	CU2-0.4	0.4	90	98	<input checked="" type="checkbox"/>	<input checked="" type="checkbox"/>
Custom2	CU2-0.6	0.6	127	136	<input checked="" type="checkbox"/>	<input checked="" type="checkbox"/>
Custom2	CU2-1.2	1.2	164	135	<input checked="" type="checkbox"/>	<input checked="" type="checkbox"/>
Engineer	Portal	1	300	300	<input type="checkbox"/>	<input checked="" type="checkbox"/>

Note: Values and systems shown in Custom Elements Sheets are for illustrative purposes only.

Help can be accessed by pressing the ? symbol which displays a window with further information.

The GIB EzyBrace® 2016 software has a number of options that can be accessed via the File tab at the top left hand corner of the window. The options include: New, Save, Save As, Open, Recent and Print.

- The New option closes any opened job ready for the input of a new job.
- The Save option saves the currently opened job to the same filename and the Save As option saves the job to a new filename.

- The Open option prompts for the name of an existing job.
- The Recent option displays a list of the ten latest jobs and allows for the selection of one of these jobs to be opened.
- The Print option displays the print screen. In this screen, a print preview is displayed. The print preview can be copied to the clipboard by clicking the right-hand mouse button. Also on the print screen is the option to choose which pages are to be printed and the option to print the output to a portable data format, PDF, file.
- The Print Screen View is shown in figure 9.

FIGURE 9: GIB EZYBRACE® 2016 — PRINT SCREEN VIEW

Download GIB EzyBrace® 2016 design software from [gib.co.nz/ezybrace](http://gib.co.nz/ezybrace)

Demand Calculation Sheet	
<b>Job Details</b>	
Name	Example
Street and Number	100 Job Street
Lot and DP Number	Lot 123 DP 201
City/Town/District	Geography District
Designer	A.B. Architect
Company	John Limited
Date	1/1/13
<b>Building Specification</b>	
Number of Storeys	1
Floor Loading	2 kPa
Foundation Type	Slab
Cladding Weight	Light
Roof Weight	Light
Roof to Roof Space	Nil
Roof Pitch	20
Roof Ridge above Eaves (m)	2.0
Building Height to Apex (m)	5
Offset to Lower Floor (m)	0.3
Average Grid Height (m)	2.34
Building Length (m)	17.8
Building Width (m)	13.0
Building Plot Area (m <sup>2</sup> )	100
<b>Building Location</b>	
Wind Zone = High	Earthquake Zone 1
	Site Type C (Shallow)
	Annual Prob. of Exceedance: 1 in 500 (NZS3104:2011 Default)
<b>Bracing Units required for Wind</b>	
Along	Across
Single Level	90
<b>Bracing Units required for Earthquake</b>	
Along & Across	
Single Level	177

## GIB® plasterboard linings

When fixing part sheets of GIB® plasterboard, a minimum sheet width of 300mm applies for bracing elements. Horizontal fixing is recommended. If fixing vertically, full height sheets shall be used where possible. Where sheet end butt joints are unavoidable they must be formed over nogs or over the studs and fastened at 200mm centres. Alternatively, and preferably, sheet end butt joints may be back-blocked.

When a GIB® Bracing element has been designated for a section of wall, BU ratings cannot be increased by incorporating additional proprietary bracing elements within that same section of wall.

### LIMITATIONS

- GIB® plasterboard must be stacked flat and protected from the weather.
- GIB® plasterboard must be handled as a finishing material.
- GIB® plasterboard in use must not be exposed to liquid water or be installed in situations where extended exposure to humidities above 90% RH can reasonably be expected.
- GIB EzyBrace® Systems must not be used in showers or behind baths.
- It is highly recommended not to install GIB® plasterboard in any situation where external claddings are not in place or the property is not adequately protected from the elements.
- If GIB® plasterboard is installed under these conditions, the risk of surface defects such as joint peaking or cracking is greatly increased.

## GIB EzyBrace® Systems in water-splash areas

When GIB® plasterboard is installed in locations likely to be frequently exposed to liquid water it must have an impervious finish. Examples are adhesive fixed acrylic shower linings or ceramic tiles over an approved waterproof membrane over GIB Aqualine®. The NZBC requires 15 years durability in these situations. Bracing elements are required to have a durability of 50 years. Bracing elements are not to be located in shower cubicles or behind baths because of durability requirements, the likelihood of renovation, and practical issues associated with fixing bracing elements to perimeter framing members. Otherwise GIB EzyBrace® Systems can be used in water-splash areas as defined by NZBC Clause E3, provided these are maintained impervious for the life of the building.

For further design details refer to the current GIB Aqualine® Wet Area Systems literature.

## Renovation

When relining walls during the process of renovation, ensure that bracing elements are reinstated (check the building plans).

## Openings in bracing elements

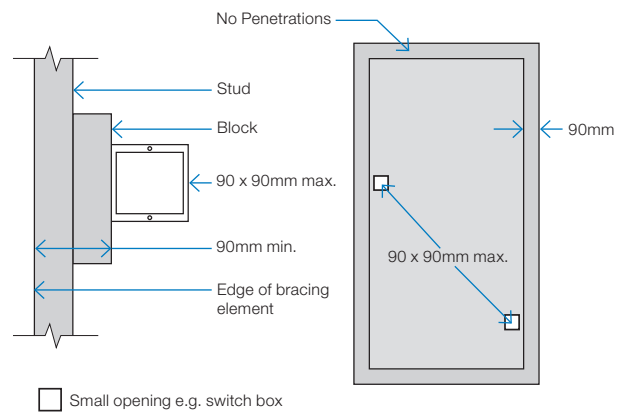
### SMALL OPENINGS

Small openings (e.g. power outlets) of 90 x 90mm or less may be placed no closer than 90mm to the edge of the braced element. A block may need to be provided alongside the perimeter stud as shown below.

### LARGE OPENINGS

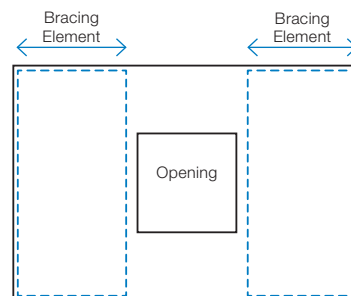
Openings above 90 x 90mm such as switch boards, recessed cabinets and TV's etc. should be placed outside of the bracing element or locate bracing on the other side of the wall framing.

FIGURE 10: SMALL OPENINGS IN BRACING ELEMENTS



GEB001

FIGURE 11: LARGE OPENINGS AND BRACING ELEMENTS





## Timber framing

General framing requirements such as grade, spacings and installation shall comply with the provisions of NZS 3604:2011. To achieve the published bracing performance the minimum actual framing dimensions are 90 x 45mm for external walls and 70 x 45mm for internal walls.

As a minimum the use of Kiln Dried Stress Graded timber for all wall, roof and mid-floor framing members is recommended.

## GIBFix® Framing System (alternative layout)

Practices recommended as part of the GIBFix® Framing System aim to increase timber framing efficiencies, reduce reliance on unnecessary framing at wall junctions and minimise surface imperfections that commonly arise from constructing plasterboard junctions over multiple timber members. GIBFix® Angles fixed to a single timber framing member are introduced to tie together plasterboard junctions, improving seismic resilience and decrease the risk of future defects due to timber movement. The GIBFix® Framing System can be used in conjunction with the GIB EzyBrace® System.

Note: GIBFix® Angles and 32mm x 7g GIB® Grabber® Dual Thread Screws may also be used in traditional wall framing layouts and in GIB EzyBrace® Systems.

When the GIBFix® Framing System is used a minimum of 2 equally spaced nogs for walls between 2.4m and 3m in height are required at corners and wall junctions.

When used in GIB EzyBrace® systems GIBFix® Angles must run from top to bottom on all applicable studs. If 2 GIBFix® Angles are required on a stud they must be overlapped by a minimum of 300mm with 2/32mm 7g GIB® Grabber® Dual Thread Screws penetrating through both GIBFix® Angles.

For full specification details refer to GIBFix® Framing System literature available at [gib.co.nz/gibfix](http://gib.co.nz/gibfix).

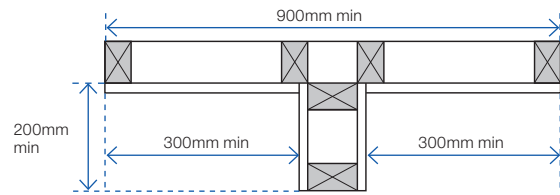
## Guidelines for intersection walls

GIB® Bracing Elements may have intersecting walls with a minimum length of 200mm. Fasteners are required around the perimeter of the bracing element. Vertical joints at T-junctions shall be fixed and jointed as specified for intermediate sheet joints. The bracing element length must be no less than 900mm.

Where a Wall Bracing Element is interrupted by a T-junction the element is deemed to be continuous for the whole length (900mm minimum in the example illustrated).

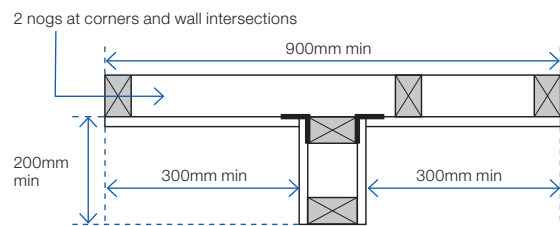
When fixing part sheets of GIB® plasterboard to the side of a T-junction, a minimum width of 300mm applies for bracing elements. See figures 12 and 13.

FIGURE 12: WALL INTERSECTION (TRADITIONAL WALL FRAMING)



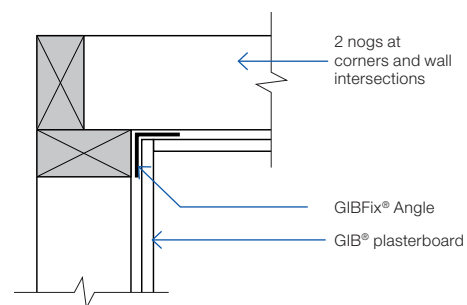
GEB002

FIGURE 13: WALL INTERSECTION (GIBFIX® FRAMING SYSTEM)



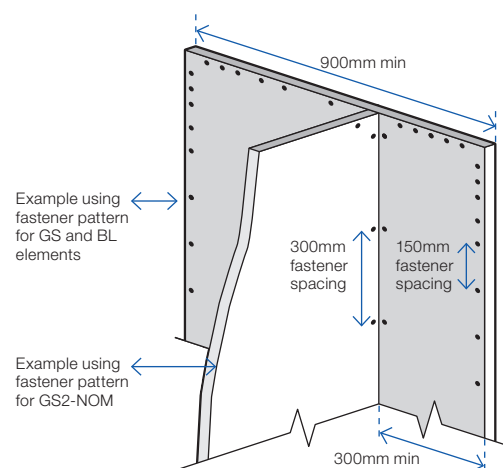
GEB003

FIGURE 14: CORNER INTERSECTION (GIBFIX® FRAMING SYSTEM)



GFS001

FIGURE 15: WALL INTERSECTION FASTENER PLACEMENT



Junction

Min 32mm x 6g GIB® Grabber® High Thread or 32mm x 7g GIB® Grabber® Dual Thread Screws @ 300mm ctrs each side.

## Top plate connections

For top plate connections refer to NZS3604:2011 section 8.7.3.

## Parapets and gable end walls

Bracing elements must be fixed from top plate to bottom plate. Fixing to a row of nogs is not acceptable unless either:

A continuous member such as an ex 90 x 45mm ribbon plate is fixed across the studs just above a row of nogs at the ceiling line, as shown in figure 16.

or

GIBFix® Angle as shown in figure 17. The angle is fixed to a row of nogs with 30 x 2.5mm galv flat head nails or 32mm x 7g GIB® Grabber® Dual Thread Screws at 300mm centres.

## Bottom plate fixing

### TIMBER FLOOR

For elements with an 'N' specification use 2/100 x 3.75mm hand or 3/90 x 3.15mm power-driven nails at 600mm centres.

In addition, for elements with an 'H' specification, use GIB HandiBrac® panel hold-down fixings at each end of the bracing element, see p.16.

### CONCRETE FLOOR – EXTERNAL WALL BRACING ELEMENTS

For bracing elements with an 'N' specification fix external wall plates in accordance with NZS 3604:2011.

Use GIB HandiBrac® panel hold-down fixings at each end of bracing elements with an 'H' specification and minimum intermediate fixings as required by NZS 3604:2011.

### CONCRETE FLOOR – INTERNAL WALL BRACING ELEMENTS

For bracing elements with an 'N' specification fix plates in accordance with NZS 3604:2011 or use 75 x 3.8mm shot-fired fasteners with 16mm discs spaced at 150 and 300mm from end-studs and 600mm centres thereafter.

For bracing elements with an 'H' specification use GIB HandiBrac® panel hold-down fixings at each end of the element and minimum intermediate fixings as required by NZS 3604:2011.

FIGURE 16: PARAPETS AND GABLE ENDS WITH RIBBON PLATE

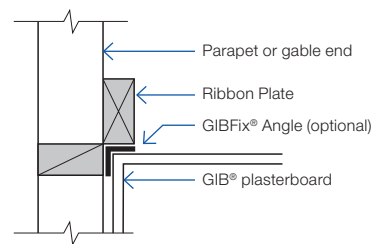
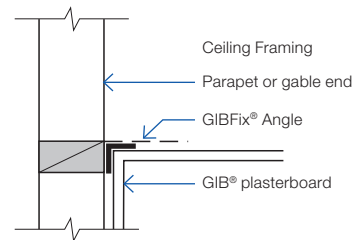


FIGURE 17: PARAPETS AND GABLE ENDS WITH GIBFIX® ANGLE



GFS003

## BOTTOM PLATE FIXINGS FOR GIB® BRACING ELEMENTS

Brace type	Concrete slabs		Timber floors
	External wall	Internal wall	External and Internal walls
GS1-N	As per NZS 3604:2011. No specific additional fastening required.	As per NZS 3604:2011. Alternatively use 75 x 3.8mm shot-fired fasteners with 16mm discs, 150mm and 300mm from each end of the bracing element and at 600mm thereafter.	Pairs of 100 x 3.75mm flat head hand driven nails or 3/90 x 3.15mm power driven nails at 600mm centres in accordance with NZS 3604:2011.
GS2-N	Not applicable.		
GS2-NOM			
GSP-H BL1-H BLP-H	Intermediate fastenings to comply with NZS 3604:2011  In addition: GIB HandiBrac® fixings or metal wrap-around strap fixings and bolt as illustrated on p.15 and 16.		<p>Pairs of 100 x 3.75mm flat head hand driven nails or 3/90 x 3.15mm power driven nails at 600mm centres in accordance with NZS 3604:2011.</p> <p>In addition: GIB HandiBrac® fixings or metal wrap-around strap fixings and bolt as illustrated on p.15 and 16.</p>
BLG-H	Not applicable	As for GSP-H, BL1-H, BLP-H on concrete slab as illustrated on p.15 and 16.	

## Bracing strap installation

Care needs to be taken with the installation of the bracing strap. It should be checked in to be flush with the face of the stud providing a flat substrate for the plasterboard and

positioned in such a way that the corner fastenings of the bracing element are not affected by it. Keeping the strap to the edge of the end stud as shown will allow the corner fastenings to be installed without having to penetrate the bracing strap.

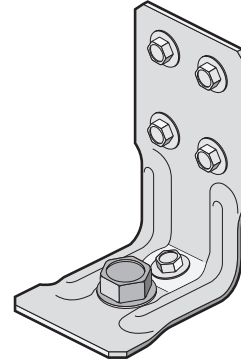
Concrete floor		Timber floor	
<p>400 x 25 x 0.9mm galvanised strap to pass under the plate and up the other side of the stud. Six 30 x 2.5mm flat head galvanised nails to each side of the stud. Three 30 x 2.5mm flat head galvanised nails to each side of the plate. Hold down bolt with 50 x 50 x 3mm washer to be fitted within 80mm of the end of the element.</p>			
Internal wall			
<p>GEB004</p>		<p>GEB005</p>	
External wall			
<p>GEB006</p>		<p>GEB007</p>	
<p>Note: Where applicable drawings have been produced for CAD design. These are identified by a unique number in the bottom corner of each detail box that can be found at <a href="http://gib.co.nz/library">gib.co.nz/library</a>.</p>		<p>2/300 x 25 x 0.9mm galvanised straps with six 30 x 2.5mm flat head galvanised nails to each stud and into the floor joist and three nails to the plate. Block to nog fixed with 3/100 x 3.75mm nails to stud.</p>	
		<p>GEB008</p>	
Hold-down fastener requirements			
Concrete floor		Timber floor	
<p>A mechanical fastening with a minimum characteristic uplift capacity of 15kN fitted with a 50 x 50 x 3mm square washer within 80mm of the ends of the bracing element.</p>		<p>12 x 150mm galvanised coach screw fitted with a 50 x 50 x 3mm square washer within 80mm of the ends of the bracing element</p>	

## GIB HandiBrac® installation

Developed in conjunction with MiTek™, the GIB HandiBrac® has been designed and tested by Winstone Wallboards for use in GIB EzyBrace® elements that require hold-downs. The GIB HandiBrac® is a substitute for bottom plate hold-down straps.

- Quick and easy to fit.
- May be fitted at any stage before lining.
- Framing face is clear to allow flush lining.
- Easily inspected.

The GIB HandiBrac® with BOWMAC® blue head screw bolt is suitable for timber and concrete floors constructed in accordance with NZS 3604:2011.



Concrete floor		Timber floor	
External walls	Internal walls	External walls	Internal walls
GEB009	GEB010	GEB011	GEB012
Position GIB HandiBrac® as close as practicable to the internal edge of the bottom plate.	Position GIB HandiBrac® at the stud/plate junction and at mid-width of plate.	Position GIB HandiBrac® flush with the outside stud face, as close as practicable to the centre of the boundary joist.	Position GIB HandiBrac® in the centre of floor joist or full depth solid block.
Hold-down fastener requirements			
A mechanical fastening with a minimum characteristic uplift capacity of 15kN or use supplied BT10/140 screwbolt in GIB HandiBrac® pack.		12 x 150mm galvanised coach screw or use supplied BT10/140 screwbolt in GIB HandiBrac® pack.	



## GIB HandiBrac<sup>®</sup> placement with GIBFix<sup>®</sup> Framing System for concrete floors

Figure 18 shows the preferred positioning of the GIB HandiBrac<sup>®</sup> panel hold-down brackets within the GIBFix<sup>®</sup> Framing System layout and where they are required by bracing systems with an 'H' in the specification code.

Note that, in corners and at wall junctions, a single GIB HandiBrac<sup>®</sup> can serve 'H' type bracing elements in both directions, but additional intermediate concrete anchors may need to be installed to meet the minimum requirements of NZS 3604:2011 for bottom plate fixing.

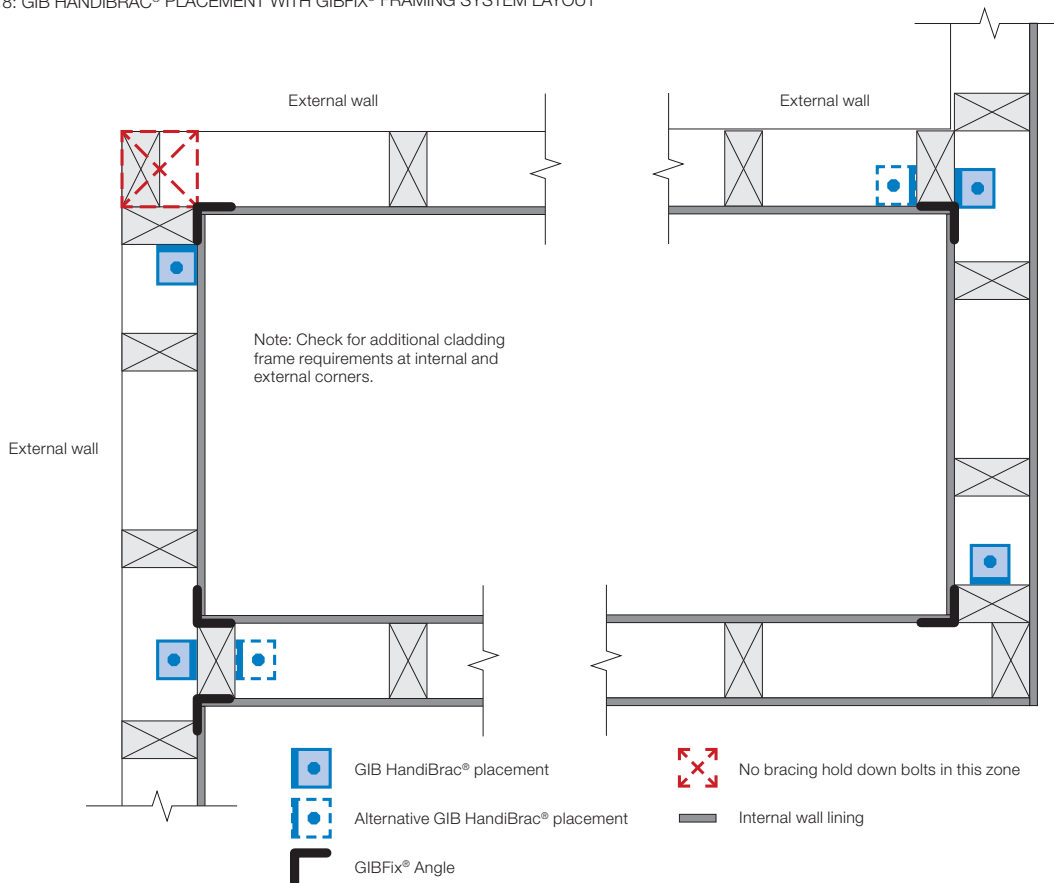
The GIB HandiBrac<sup>®</sup> is fixed to the stud which has the GIBFix<sup>®</sup> Angle.

For bracing elements with sheet material both sides of the wall connect corner studs using 8/90mm gun nails as shown in figure 19.

### TIMBER FLOORS

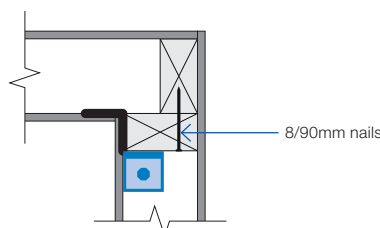
For timber floors bolt fixing in to solid joist or block is required, as shown on p 15.

FIGURE 18: GIB HANDIBRAC<sup>®</sup> PLACEMENT WITH GIBFIX<sup>®</sup> FRAMING SYSTEM LAYOUT



GEB013

FIGURE 19: STUD CONNECTION FOR 'H' TYPE BRACING ELEMENTS WITH SHEET MATERIAL BOTH SIDES



GEB014

## Ceiling diaphragms

GIB® plasterboard ceiling diaphragms are stiff and strong horizontal elements which effectively transfer loads to bracing walls. They themselves do not have a bracing unit rating but are used when bracing lines exceed 6m separation. The basic shape of a ceiling diaphragm is square or rectangular. Protrusions are permitted but cut-outs are not. The length of a ceiling diaphragm shall not exceed twice its width. Dimensions are measured between supporting bracing lines. Supporting bracing lines shall have a bracing capacity no less than the greater of 100 bracing units or 15 bracing units per metre of diaphragm dimension, measured at right angles to the line being considered, see figure 21.

## Limitations for GIB® plasterboard ceiling diaphragms

Ceiling diaphragms may be constructed using any GIB® plasterboard provided perimeter fixing is at;

150mm centres for: Diaphragms up to 7.5m in length, no steeper than 15°.

100mm centres for: Diaphragms up to 7.5m in length, no steeper than 45°. Diaphragms up to 12m in length, no steeper than 25°.

Diaphragms outside these parameters must be specifically designed.

### General fixing requirements for GIB® Ceiling Diaphragms:

- Linings must be installed over the entire area of the diaphragm.
- Fastening must be no less than 12mm from sheet edges and not less than 18mm from sheet ends.
- Sheets must be supported by framing members (e.g., ceiling battens) spaced at no more than 500mm centres for 10mm GIB® plasterboard and at no more than 600mm centres for 13mm GIB® plasterboard.
- Sheets within the diaphragm area may be fastened and finished conventionally in accordance with the publication entitled, "GIB® Site Guide". All joints shall be GIB® Joint Tape reinforced and stopped. It is recommended that sheet butt joints are formed off framing and back-blocked (see "GIB® Site Guide").
- Use full width sheets where possible. At least 900mm wide sheets with a length not less than 1800mm shall be used. Sheets less than 900mm wide but no less than 600mm may be used provided all joints with adjacent sheets are back-blocked (see "GIB® Site Guide" and figure 22).
- Fasteners are placed at the specified centres around the ceiling diaphragm with the corners fastened using the GIB EzyBrace® fastener pattern.

FIGURE 20: PROTRUSIONS AND CUTOUTS

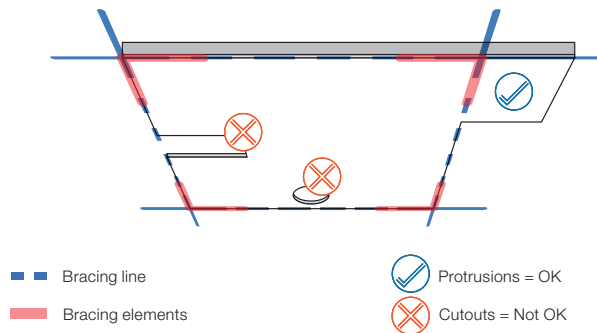


FIGURE 21: DIAPHRAGM BRACING LINING SPACINGS

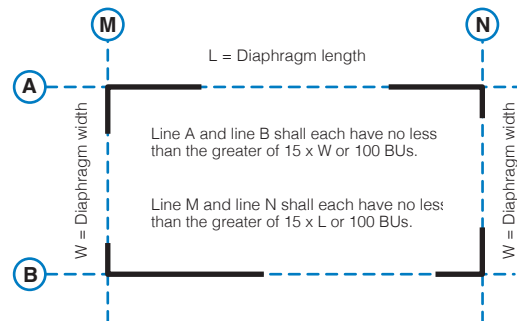
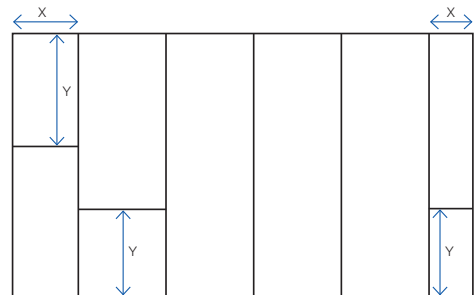
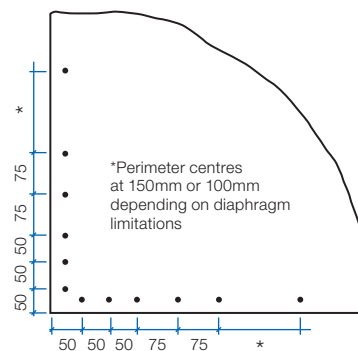


FIGURE 22: GIB® CEILING DIAPHRAGM SHEET WIDTHS AND LENGTHS



X = 900mm min or 600–900mm Y = 1800mm min sheet lengths min provided all adjacent joints at ends of ceiling diaphragms are back-blocked.

FIGURE 23: GIB EZYBRACE® FASTENER PATTERN



Unless stated all fastener spacings are maximums.

## Ceiling battens in ceiling diaphragms

Ceiling diaphragms may be constructed using steel or timber ceiling battens.

Battens shall be spaced at a maximum of:

- 500mm for 10mm GIB® plasterboard.
- 600mm for 13mm GIB® plasterboard.

Timber battens shall be fixed in accordance with the requirements of NZS 3604:2011.

Metal battens shall be GIB® Rondo® battens with two external flanges of 8mm to allow direct screw fixing to roof framing.

GIB® Rondo® metal battens shall be fixed with 2/32mm x 8g GIB® Grabber® Wafer Head Self Tapping screws to supporting framing.

GIB® Rondo® metal battens must be fixed directly to the roof framing. If a clip system has been used, a timber block (min 300mm) or a continuous timber member can be fixed alongside the bottom chord to permit a direct connection to the batten, see figure 26.

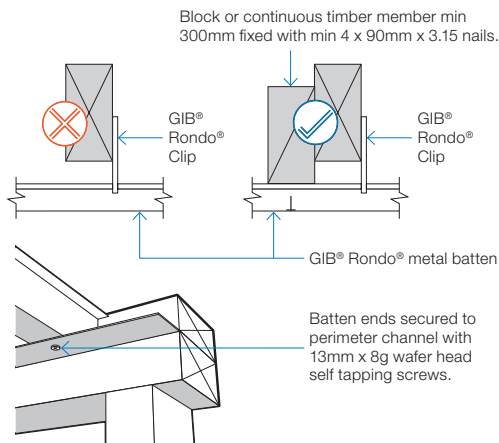
For GIB® Rondo® metal battens, a GIB® Rondo® metal channel or metal angle is required at the perimeter of the diaphragm. The perimeter channel shall be fastened to the top plate with 32mm x 8g GIB® Grabber® Wafer Head Self Tapping screws or 32mm x 7g GIB® Grabber® Dual Thread screw at 300mm centres maximum.

Linings are fastened to metal using 25mm x 6g GIB® Grabber® Self Tapping screws and to timber framing using 32mm x 6g GIB® Grabber® High Thread screws. Alternatively 32mm x 7g GIB® Grabber® Dual Thread screws can be used in both cases. Fastener centres are specified on p.18.

Coved ceiling diaphragms can be achieved by using nominally 32 x 32 x 0.55mm proprietary galvanised metal angles ("back-flashing") at the changes in direction. These angles shall be:

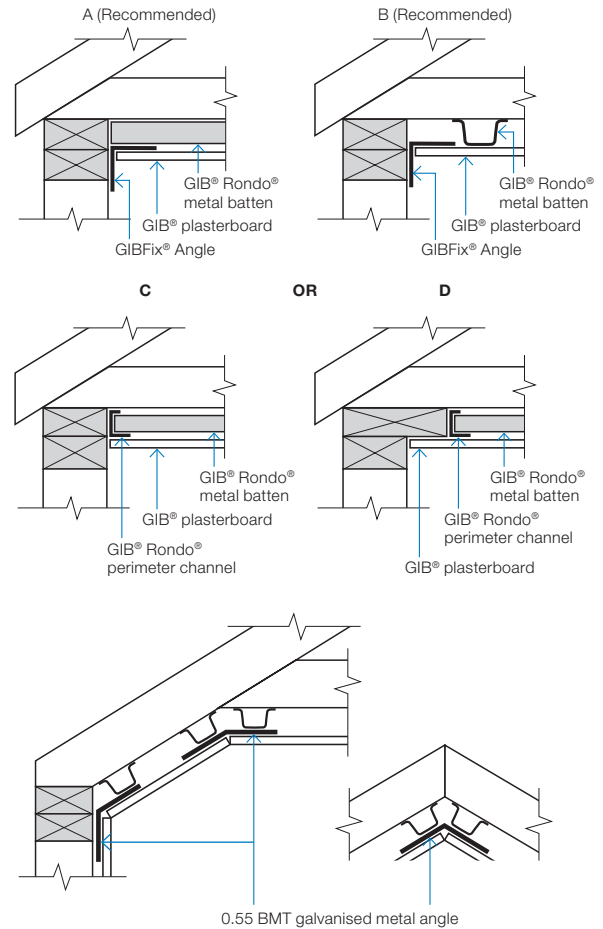
- Fastened at 300mm on each edge to metal battens using 32mm x 8g GIB® Grabber® Wafer Head Self Tapping screws or 32mm x 7g GIB® Grabber® Dual Thread screws.
- Fastened to timber framing using 32mm x 7g GIB® Grabber® Dual Thread screws when linings are installed.

FIGURE 26: GIB® RONDO® METAL CEILING BATTEN INSTALLATION



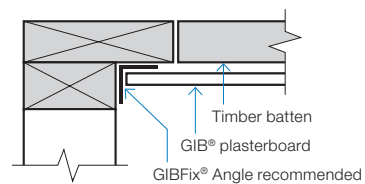
GEB016

FIGURE 27: GIB® RONDO® METAL CEILING BATTENS WITH CORNER ANGLES



GEB017

FIGURE 28: TIMBER CEILING BATTENS\*



GEB018

## Openings in ceiling diaphragms

### SMALL OPENINGS

Small opening (e.g. down lights) of 90 x 90mm or less may be placed no closer than 90mm to the edge of the ceiling diaphragm.

### LARGE OPENINGS

Openings are allowed within the middle third of the diaphragms length and width. Fixing of sheet material to opening trimmers shall be at 150mm centres. Neither opening dimension shall exceed a third of the diaphragm width. Larger openings or openings in other locations require specific engineering design.

Where fireplace flue or range hood openings are required in a ceiling diaphragm use a galvansed metal backing plate as shown in figure 25, with a maximum hole diameter of 350mm.

Figure 25 can also be used for range hood openings in walls.

For information on openings in ceiling diaphragms contact the GIB® Helpline on 0800 100 442.

FIGURE 24: LARGE OPENINGS IN CEILING DIAPHRAGMS

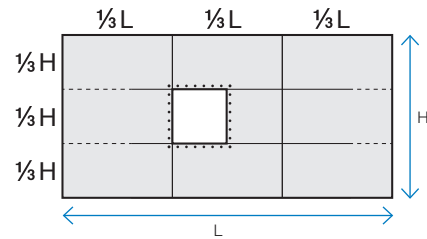
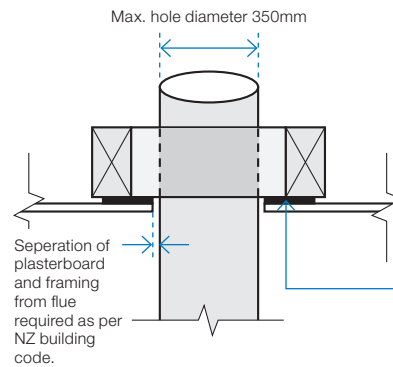
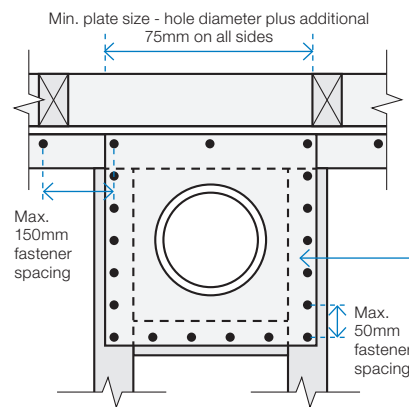


FIGURE 25: FIREPLACE FLUES AND RANGE HOOD OPENINGS

#### Section view



#### Plan view



Plasterboard ceiling not shown in plan view

#### Steel plate

0.55 BMT  
Galvanised sheet  
Max. opening  
350mm diameter.  
Installed prior to  
GIB® plasterboard.

#### Framing

90 x 45mm framing  
trimmed to provide  
extra fixing.

#### GIB® plasterboard ceiling

Installed over the  
steel plate and into  
framing using a  
minimum of 32mm  
x 6g GIB® Grabber  
High Thread or  
32mm x 7g GIB®  
Grabber Dual Thread  
screws at 50mm  
max centre spacing.



## Length of GIB EzyBrace® elements ('N' Type)

The length of GIB EzyBrace® elements with an 'N' extension (requiring standard NZS3604:2011 plate connections) can be taken as the full frame length measured from the outside of the end-stud to the opening face as illustrated in figures 29-32.

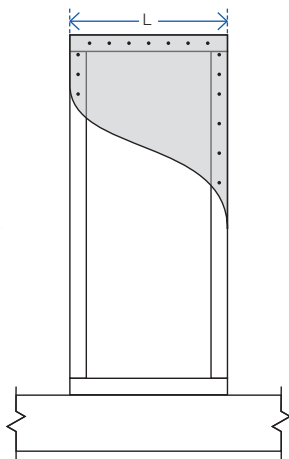
'N' type GIB EzyBrace® elements are identified by GIB® specification numbers GS1-N, GS2-N and GS2-NOM

The dimension 'L' shall not be less than 400mm.

Perimeter bracing fixing for linings of both 'H' and 'N' type elements is along the top and bottom plates, end stud, and doubling stud immediately adjacent to the opening.

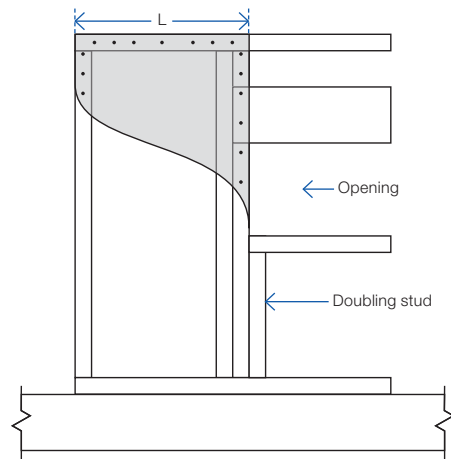
Fastener spacings and diagram scales shown in Figures 29-32 are indicative only. Refer to p.23-30 for construction details.

FIGURE 29: GS BRACING ELEMENTS (OPTION A)



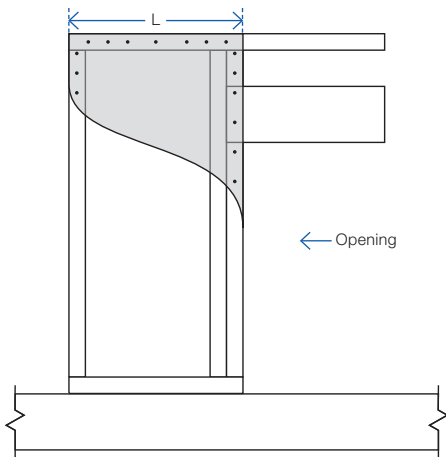
GS1-N, GS2-N elements  
'L' indicates the length of the bracing element

FIGURE 30: GS BRACING ELEMENTS (OPTION B)



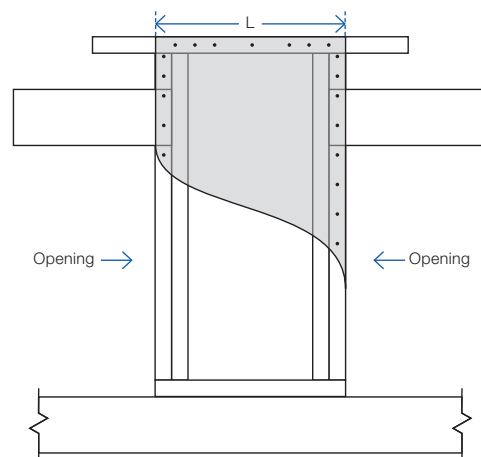
GS1-N, GS2-N elements  
'L' indicates the length of the bracing element

FIGURE 31: GS BRACING ELEMENTS (OPTION C)



GS1-N, GS2-N elements  
'L' indicates the length of the bracing element

FIGURE 32: GS BRACING ELEMENTS (OPTION D)



GS1-N, GS2-N elements  
'L' indicates the length of the bracing element

## Length of GIB EzyBrace® elements ('H' Type)

GIB EzyBrace® elements with an 'H' extension (requiring special panel hold-down fixings) can be used when the dimension 'L' as illustrated in figures 33–36 is 400mm or more.

'H' type GIB EzyBrace® elements are identified by GIB® specification numbers GSP-H, BL1-H, BLG-H and BLP-H.

The length of an 'H' type element is not only determined by the sheet material, but also by the placement of the hold-down fixings.

Hold-down fixings cannot be placed closer together than what is shown for the standard panel in figure 33.

Hold-down fixings can be placed under windows provided sill trimming studs beneath the opening are connected to the bracing element using 8/90mm gun nails, as illustrated in figure 34.

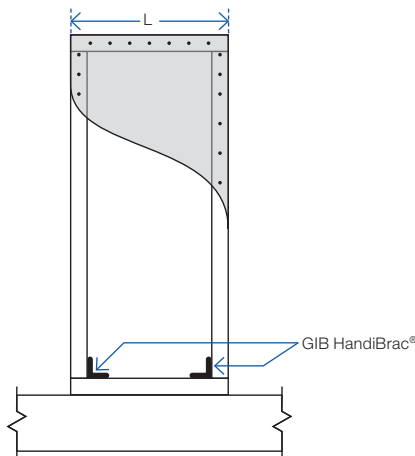
Spike doubling stud to trimming stud using a minimum of 2/90mm gun nails at 600mm centres. Lintel straps (where required for wind uplift) should be checked in and be located away from the bracing element fasteners.

Perimeter bracing fixing for linings of both 'H' and 'N' type elements is along the top and bottom plates, end stud, and doubling stud immediately adjacent to the opening as indicated in figures 34-36.

When using bracing straps, installed in accordance with p.17, fix the strap to the same framing member as shown for the GIB Handibrac® below, and install the adjacent anchor bolt in the same position as the GIB Handibrac® bolt.

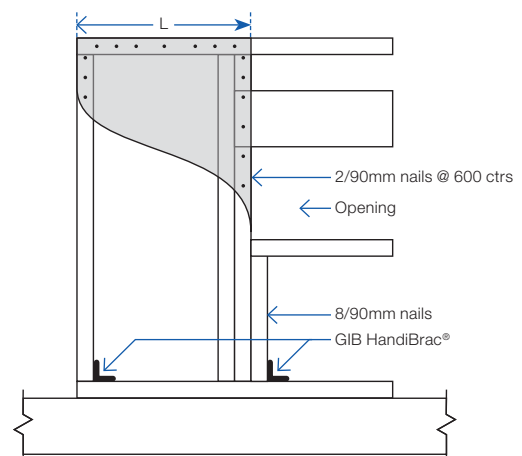
Fastener spacings and diagram scales shown in figures 33–36 are indicative only. Refer to p.23–30 for construction details.

FIGURE 33: BL BRACING ELEMENTS (OPTION A)



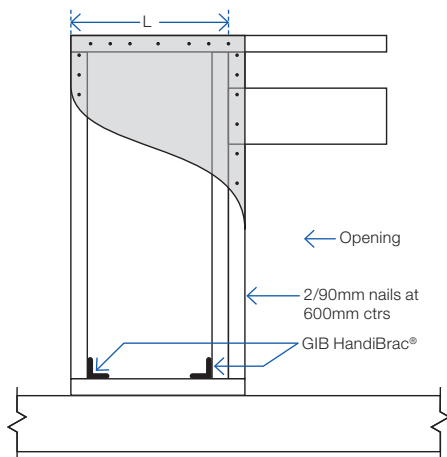
'H' type elements with specific hold downs  
'L' indicates the length of the bracing element

FIGURE 34: BL BRACING ELEMENTS (OPTION B)



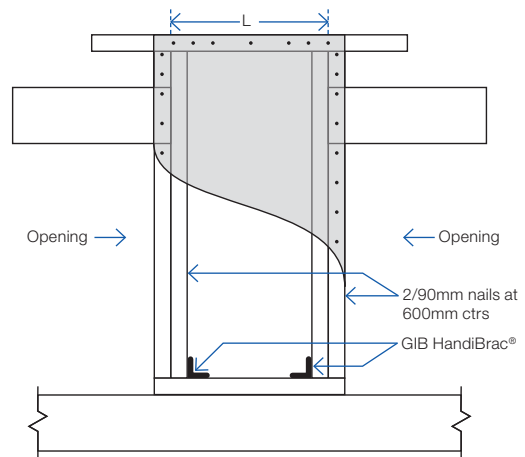
'H' type elements with specific hold downs  
'L' indicates the length of the bracing element

FIGURE 35: BL BRACING ELEMENTS (OPTION C)



'H' type elements with specific hold downs  
'L' indicates the length of the bracing element

FIGURE 36: BL BRACING ELEMENTS (OPTION D)



'H' type elements with specific hold downs  
'L' indicates the length of the bracing element

## GIB EzyBrace® Systems specification GS1-N

Specification code	Minimum length (m)	Lining requirement
GS1-N	0.4	Any 10mm or 13mm GIB® Standard plasterboard to one side only

### WALL FRAMING

Wall framing to comply with;

- NZBC B1 – Structure B1/AS1 Clause 3 Timber (NZS 3604:2011).
- NZBC B2 – Durability B2/AS1 Clause 3.2 Timber (NZS 3602).

Framing dimensions and height as determined by NZS 3604:2011 stud and top plate tables for load bearing and non-bearing walls. The use of kiln dried stress graded timber is recommended.

### BOTTOM PLATE FIXING

#### Timber floor

Pairs of hand driven 100 x 3.75mm nails at 600mm centres; or three power driven 90 x 3.15mm nails at 600mm centres.

#### Concrete floor

Internal Wall Bracing Lines: In accordance with the requirements of NZS 3604:2011 for internal wall plate fixing or 75 x 3.8mm shot fired fasteners with 16mm discs spaced at 150mm and 300mm from end studs and 600mm centres thereafter.

External Wall Bracing Lines: In accordance with the requirements of NZS 3604:2011 for external wall bottom plate fixing.

### WALL LINING

- Any 10mm or 13mm GIB® plasterboard lining.
- Sheets can be fixed vertically or horizontally.
- Sheet joints shall be touch fitted.
- Use full length sheets where possible.

### PERMITTED ALTERNATIVES

For permitted GIB® plasterboard alternatives refer to p. 5 in GIB EzyBrace® Systems literature.

### FASTENING THE LINING

#### Fasteners

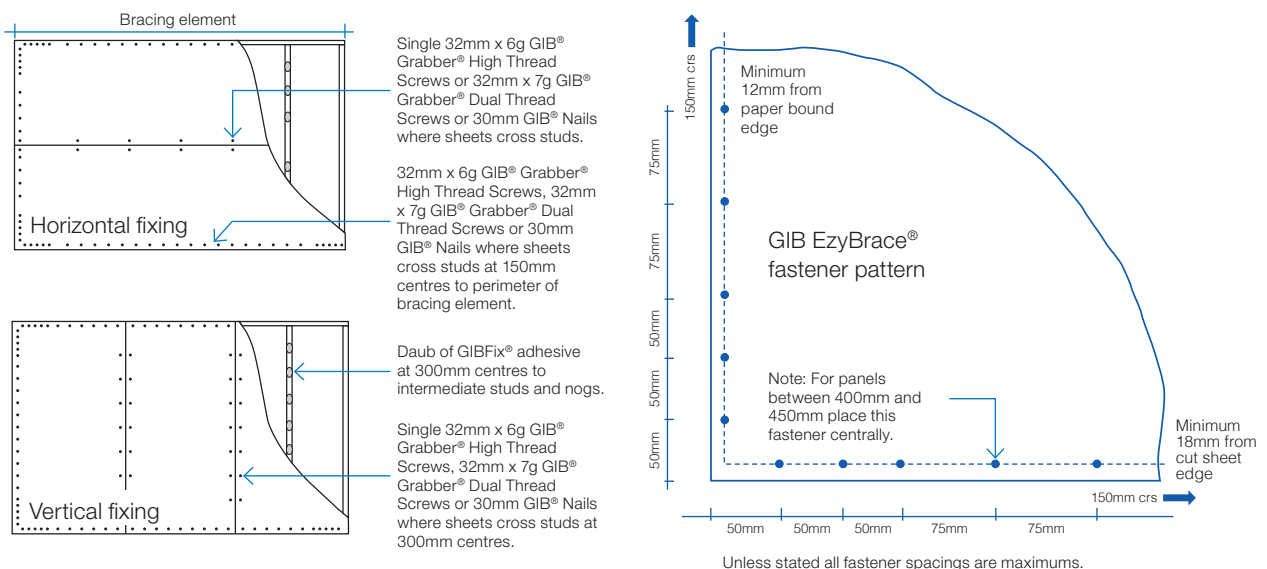
32mm x 6g GIB® Grabber® High Thread Screws, 32mm x 7g GIB® Grabber® Dual Thread Screws or 30mm GIB® Nails. If using the GIBFix® Angle use only 32mm x 7g GIB® Grabber® Dual Thread Screws.

#### Fastener centres

50,100,150, 225, 300mm maximum from each corner and 150mm thereafter around the perimeter of the bracing element. For vertically fixed sheets place fasteners at 300mm maximum centres to intermediate sheet joints. For horizontally fixed sheets place single fasteners to the sheet edge where it crosses the stud. Use daubs of GIBFix® adhesive at 300mm maximum centres to intermediate studs. Place fasteners no closer than 12mm from paper bound sheet edges and 18mm from any sheet end or cut edge.

### JOINTING

Joint strength is important in delivering bracing system performance. All fastener heads stopped and all sheet joints GIB® Joint Tape reinforced and stopped in accordance with the GIB® Site Guide.



In order for GIB® systems to perform as tested, all components must be installed exactly as prescribed. Substituting components produces an entirely different system and may seriously compromise performance. Follow the specifications. This specification sheet is issued in conjunction with the publication GIB EzyBrace® Systems

## GIB EzyBrace® Systems specification GS2-NOM

Specification code	Minimum length (m)	Lining requirement
GS2-NOM	0.4	Any 10mm or 13mm GIB® Standard plasterboard fixed to each side of the wall framing

### WALL FRAMING

Wall framing to comply with;

- NZBC B1 – Structure B1/AS1 Clause 3 Timber (NZS 3604:2011).
- NZBC B2 – Durability B2/AS1 Clause 3.2 Timber (NZS 3602).

Framing dimensions and height as determined by NZS 3604:2011 stud and top plate tables for load bearing and non-bearing walls. The use of kiln dried stress graded timber is recommended.

### BOTTOM PLATE FIXING

#### Timber floor

Pairs of hand driven 100mm x 3.75mm nails at 600mm centres; or three power driven 90mm x 3.15mm nails at 600mm centres.

#### Concrete floor

Internal Wall Bracing Lines: In accordance with the requirements of NZS 3604:2011 for internal wall plate fixing or 75mm x 3.8mm shot fired fasteners with 16mm discs spaced at 150mm and 300mm from end studs and then 600mm centres thereafter.

### WALL LINING

- A layer of 10mm or 13mm GIB® plasterboard to each side of the wall.
- Sheets can be fixed vertically or horizontally.
- Sheet joints shall be touch fitted.
- Use full length sheets where possible.

### PERMITTED ALTERNATIVES

For permitted GIB® plasterboard alternatives refer to p. 5 in GIB EzyBrace® Systems literature.

### FASTENING THE LINING

#### Fasteners

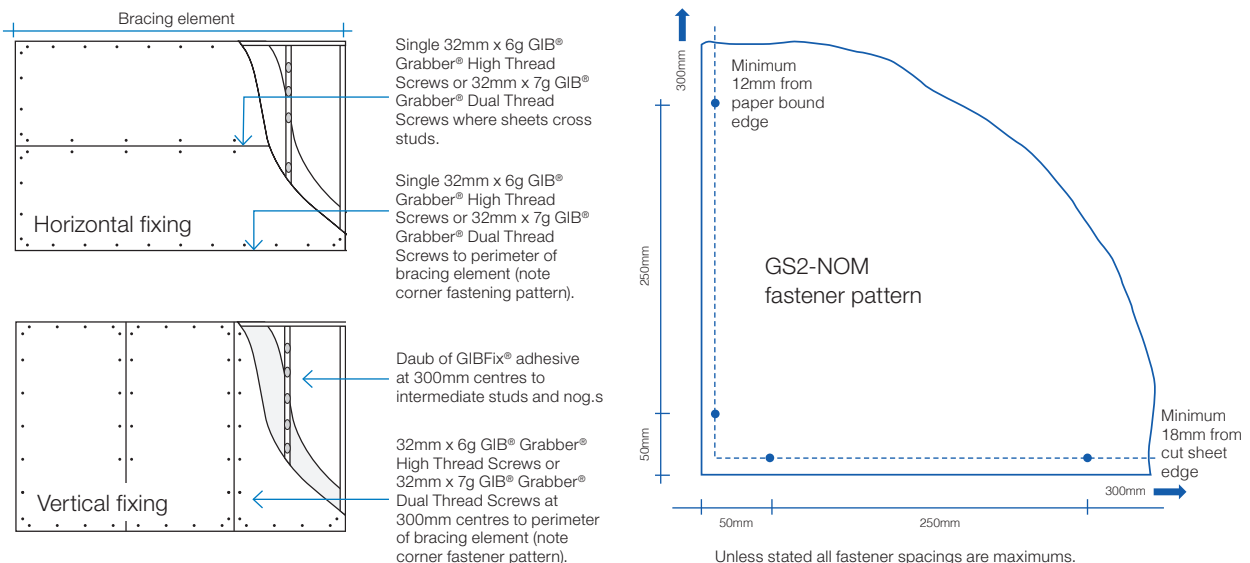
32mm x 6g GIB® Grabber® High Thread Screws or 32mm x 7g GIB® Grabber® Dual Thread Screws. If using the GIBFix® Angle use 32mm x 7g GIB® Grabber® Dual Thread Screws.

#### Fastener centres

50, 300mm from each corner and 300mm maximum thereafter around the perimeter of the bracing element. For horizontally fixed sheets place single fasteners to the sheet edge where it crosses the stud. Use daubs of GIBFix® adhesive at 300mm maximum centres to intermediate studs. Place fasteners no closer than 12mm from paper bound sheet edges and 18mm from any sheet end or cut edge.

### JOINTING

Joint strength is important in delivering bracing system performance. All fastener heads stopped and all sheet joints GIB® Joint Tape reinforced and stopped in accordance with the GIB® Site Guide.



*In order for GIB® systems to perform as tested, all components must be installed exactly as prescribed. Substituting components produces an entirely different system and may seriously compromise performance. Follow the specifications. This specification sheet is issued in conjunction with the publication GIB EzyBrace® Systems*



**GS2-NOM ADHESIVE FIXING OPTION AT DOOR JAMBS**

As an alternative to using screw fixings, a continuous 6-10mm bead of solvent based GIBFix® All-Bond can be applied along the full height studs immediately adjacent to an internal door opening and at the door lintel or head trimmer. The lining is then bedded into the adhesive and installed into the rebated jamb, as shown in figure 38.

This solvent based adhesive option may only be used with GS2-NOM specification and is designed to reduce popping of fasteners around door openings on internal walls.

FIGURE 37: SCREW FIX FOR OPENINGS

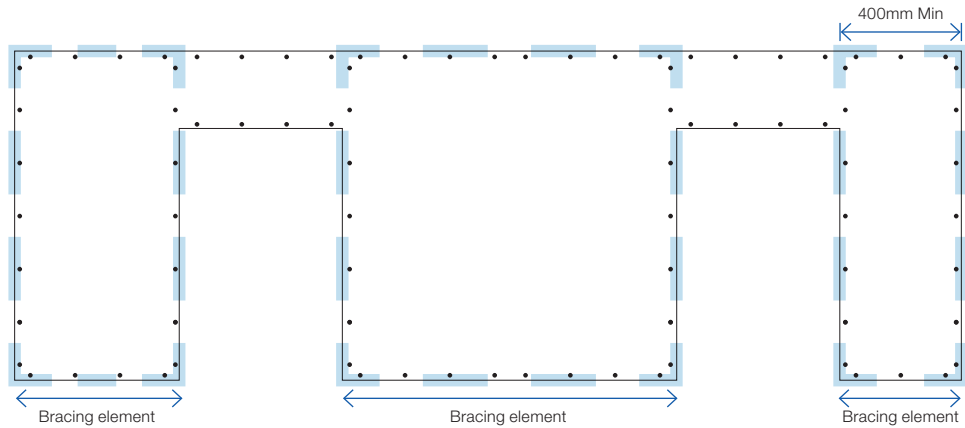
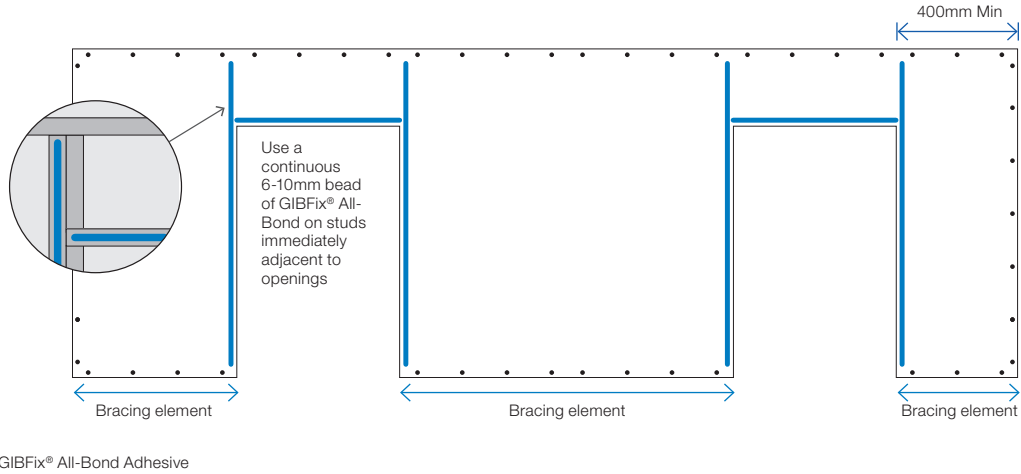
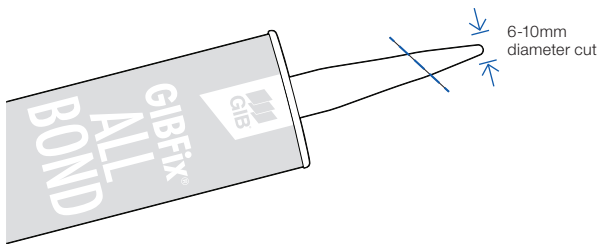


FIGURE 38: SCREW AND ADHESIVE FIX FOR OPENINGS



ADHESIVE NOZZLE APERTURE



## GIB EzyBrace® Systems specification GS2-N

Specification code	Minimum length (m)	Lining requirement
GS2-N	0.4	Any 10mm or 13mm GIB® Standard plasterboard fixed to each side of the wall framing

### WALL FRAMING

Wall framing to comply with;

- NZBC B1 – Structure B1/AS1 Clause 3 Timber (NZS 3604:2011).
- NZBC B2 – Durability B2/AS1 Clause 3.2 Timber (NZS 3602).

Framing dimensions and height as determined by NZS 3604:2011 stud and top plate tables for load bearing and non-bearing walls. The use of kiln dried stress graded timber is recommended.

### BOTTOM PLATE FIXING

#### Timber Floor

Pairs of hand driven 100 x 3.75mm nails at 600mm centres; or three power driven 90 x 3.15mm nails at 600mm centres.

#### Concrete floor

Internal Wall Bracing Lines: In accordance with the requirements of NZS 3604:2011 for internal wall plate fixing or 75 x 3.8mm shot fired fasteners with 16mm discs spaced at 150mm and 300mm from end studs and then 600mm centres thereafter.

### WALL LINING

- A layer of 10mm or 13mm GIB® plasterboard to each side of the wall.
- Sheets can be fixed vertically or horizontally.
- Sheet joints shall be touch fitted.
- Use full length sheets where possible.

### PERMITTED ALTERNATIVES

For permitted GIB® plasterboard alternatives refer to p. 5 in GIB EzyBrace® Systems literature.

### FASTENING THE LINING

#### Fasteners

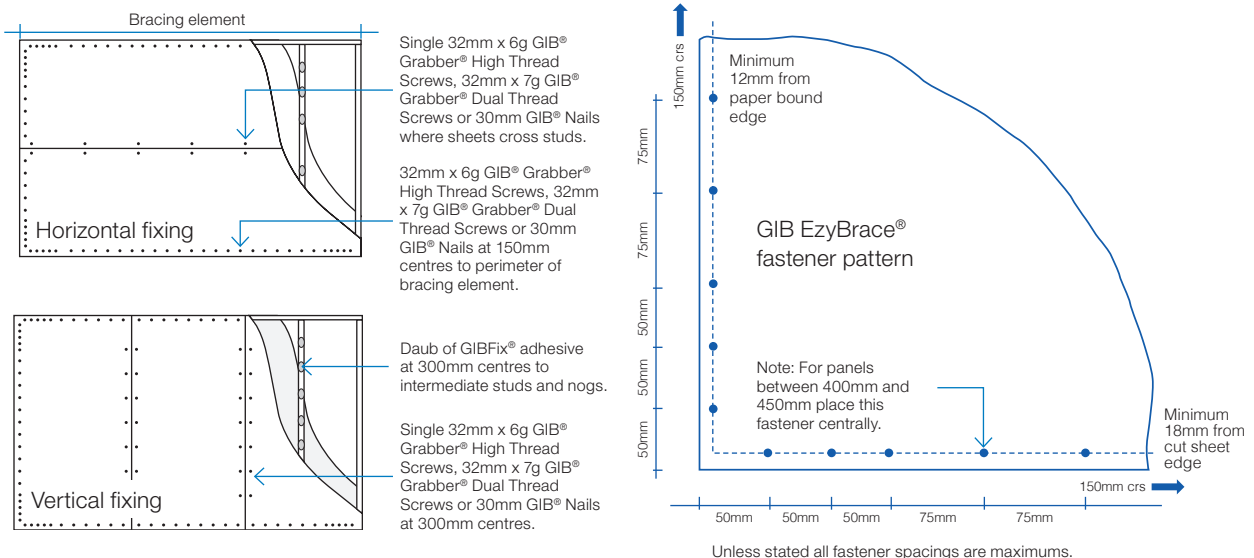
32mm x 6g GIB® Grabber® High Thread Screws, 32mm x 7g GIB® Grabber® Dual Thread Screws or 30mm GIB® Nails. If using the GIBFix® Angle use only 32mm x 7g GIB® Grabber® Dual Thread Screws.

#### Fastener centres

50,100,150, 225, 300mm maximum from each corner and 150mm thereafter around the perimeter of the bracing element. For vertically fixed sheets place fasteners at 300mm maximum centres to intermediate sheet joints. For horizontally fixed sheets place single fasteners to the sheet edge where it crosses the stud. Use daubs of GIBFix® adhesive at 300mm maximum centres to intermediate studs. Place fasteners no closer than 12mm from paper bound sheet edges and 18mm from any sheet end or cut edge.

### JOINTING

Joint strength is important in delivering bracing system performance. All fastener heads stopped and all sheet joints GIB® Joint Tape reinforced and stopped in accordance with the GIB® Site Guide.



In order for GIB® systems to perform as tested, all components must be installed exactly as prescribed. Substituting components produces an entirely different system and may seriously compromise performance. Follow the specifications. This specification sheet is issued in conjunction with the publication GIB EzyBrace® Systems

# GIB EzyBrace® Systems specification GSP-H

Specification Code	Minimum length (m)	Lining requirement	Other requirements
GSP-H	0.4	Any 10mm or 13mm GIB® plasterboard lining to one side of framing and minimum 7mm structural plywood manufactured to AS/NZ 2269.0 :2012 to the other side	Hold downs

## WALL FRAMING

Wall framing to comply with;

- NZBC B1 – Structure B1/AS1 Clause 3 Timber (NZS 3604:2011).
- NZBC B2 – Durability B2/AS1 Clause 3.2 Timber (NZS 3602).

Framing dimensions and height as determined by NZS 3604:2011 stud and top plate tables for load bearing and non-bearing walls. The use of kiln dried stress graded timber is recommended.

## BOTTOM PLATE FIXING

### Timber floor

Use panel hold downs at each end of the bracing element. The GIB HandiBrac® is recommended. See details in GIB EzyBrace® Systems or GIB® Site Guide.

Pairs of hand driven 100 x 3.75mm nails at 600mm centres; or Three power driven 90 x 3.15mm nails at 600mm centres.

### Concrete floor

Use panel hold downs at each end of the bracing element. The GIB HandiBrac® is recommended. See details in GIB EzyBrace® Systems or GIB® Site Guide. Within the length of the bracing element bottom plates are to be fixed in accordance with the requirements of NZS 3604:2011.

## WALL LINING

- A layer of 10mm or 13mm GIB® plasterboard to one side of the wall plus minimum 7mm structural plywood manufactured to AS/NZ 2269.0 :2012 to the other side.
- Sheets can be fixed vertically or horizontally, with edges supported.
- Sheet joints shall be touch fitted.
- Use full length sheets where possible.

## PERMITTED ALTERNATIVES

For permitted GIB® plasterboard alternatives refer to p. 5 in GIB EzyBrace® Systems literature.

## FASTENING THE LINING

### Fasteners

32mm x 6g GIB® Grabber® High Thread Screws, 32mm x 7g GIB® Grabber® Dual Thread Screws or 30mm GIB® Nails.

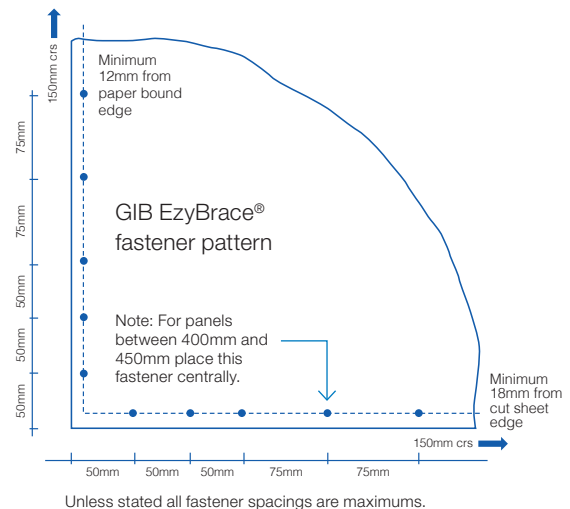
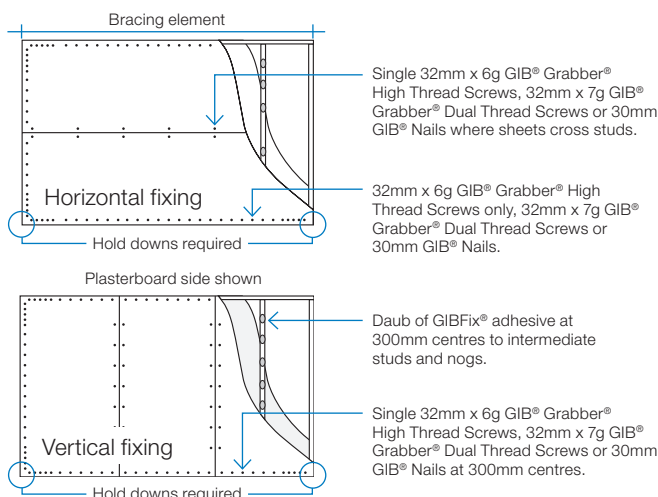
If using the GIBFix® Framing System or if fastening through GIBFix® Angles use only 32mm x 7g GIB® Grabber® Dual Thread Screws. Plywood: 50 x 2.8mm Galv or Stainless steel annular grooved FH nails.

### Fastener centres

GIB® plasterboard side: 50,100,150, 225, 300mm maximum from each corner and 150mm thereafter around the perimeter of the bracing element. For vertically fixed sheets place fasteners at 300mm maximum centres to the intermediate sheet joints. For horizontally fixed sheets place single fasteners to the sheet edge where it crosses the stud. Use daubs of GIBFix® adhesive at 300mm maximum centres to intermediate studs. Place fasteners no closer than 12mm from paper bound sheet edges and 18mm from any sheet end or cut edge. Plywood side: 150mm centres to the perimeter of each sheet. GIB® corner fastener pattern does not apply to the plywood side. 300mm centres to intermediate studs.

## JOINTING

Joint strength is important in delivering bracing system performance. All fastener heads stopped and all sheet joints GIB® Joint Tape reinforced and stopped in accordance with the GIB® Site Guide.



In order for GIB® systems to perform as tested, all components must be installed exactly as prescribed. Substituting components produces an entirely different system and may seriously compromise performance. Follow the specifications. This specification sheet is issued in conjunction with the publication GIB EzyBrace® Systems

## GIB EzyBrace® Systems specification BL1-H

Specification code	Minimum length (m)	Lining requirement	Other requirements
BL1-H	0.4	10mm or 13mm GIB Braceline® to one side only	Hold downs

### WALL FRAMING

Wall framing to comply with;

- NZBC B1 – Structure B1/AS1 Clause 3 Timber (NZS 3604:2011).
- NZBC B2 – Durability B2/AS1 Clause 3.2 Timber (NZS 3602).

Framing dimensions and height as determined by NZS 3604:2011 stud and top plate tables for load bearing and non-bearing walls. The use of kiln dried stress graded timber is recommended.

### BOTTOM PLATE FIXING

#### Timber floor

Use panel hold downs at each end of the bracing element. The GIB HandiBrac® is recommended. See details in GIB EzyBrace® Systems or GIB® Site Guide.

Pairs of hand driven 100 x 3.75mm nails at 600mm centres; or Three power driven 90 x 3.15mm nails at 600mm centres.

#### Concrete floor

Use panel hold downs at each end of the bracing element. The GIB HandiBrac® is recommended. See details in GIB EzyBrace® Systems or GIB® Site Guide. Within the length of the bracing element bottom plates are to be fixed in accordance with the requirements of NZS 3604:2011.

### WALL LINING

- A layer of 10mm or 13mm GIB Braceline®
- Sheets can be fixed vertically or horizontally.
- Sheet joints shall be touch fitted.
- Use full length sheets where possible.

### PERMITTED ALTERNATIVES

For permitted GIB® plasterboard alternatives refer to p. 5 in GIB EzyBrace® Systems literature.

### FASTENING THE LINING

#### Fasteners

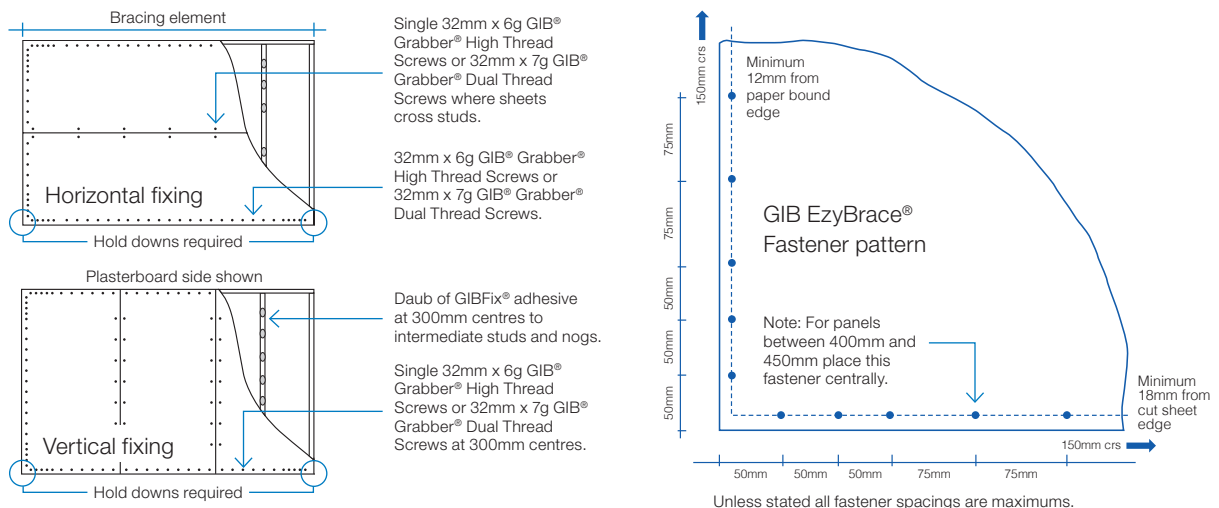
32mm x 6g GIB® Grabber® High Thread Screws or 32mm x 7g GIB® Grabber® Dual Thread Screws. If using the GIBFix® Framing System or if fastening through GIBFix® Angles use only 32mm x 7g GIB® Grabber® Dual Thread Screws.

#### Fastener centres

50,100,150, 225, 300mm from maximum each corner and 150mm thereafter around the perimeter of the bracing element. For vertically fixed sheets place fasteners at 300mm maximum centres to the sheet joint. For horizontally fixed sheets place single fasteners to the sheet edge where it crosses the stud. Use daubs of GIBFix® adhesive at 300mm maximum centres to intermediate studs. Place fasteners no closer than 12mm from paper bound sheet edges and 18mm from any sheet end or cut edge.

### JOINTING

Joint strength is important in delivering bracing system performance. All fastener heads stopped and all sheet joints GIB® Joint Tape reinforced and stopped in accordance with the GIB® Site Guide.



In order for GIB® systems to perform as tested, all components must be installed exactly as prescribed. Substituting components produces an entirely different system and may seriously compromise performance. Follow the specifications. This specification sheet is issued in conjunction with the publication GIB EzyBrace® Systems

## GIB EzyBrace® Systems specification BLG-H

Specification code	Minimum length (m)	Lining requirement	Other requirements
BLG-H	0.4	10mm or 13mm GIB Braceline® to one side of the frame plus any 10mm or 13mm GIB® plasterboard to the other side	Hold downs

### WALL FRAMING

Wall framing to comply with;

- NZBC B1 – Structure B1/AS1 Clause 3 Timber (NZS 3604:2011).
- NZBC B2 – Durability B2/AS1 Clause 3.2 Timber (NZS 3602).

Framing dimensions and height as determined by NZS 3604:2011 stud and top plate tables for load bearing and non-bearing walls. The use of kiln dried stress graded timber is recommended.

### BOTTOM PLATE FIXING

#### Timber floor

Use panel hold downs at each end of the bracing element. The GIB HandiBrac® is recommended. See details in GIB EzyBrace® Systems or GIB® Site Guide. Pairs of hand driven 100 x 3.75mm nails at 600mm centres; or Three power driven 90 x 3.15mm nails at 600mm centres.

#### Concrete floor

Use panel hold downs at each end of the bracing element. The GIB HandiBrac® is recommended. See details in GIB EzyBrace® Systems 2011 or GIB® Site Guide. Within the length of the bracing element bottom plates are to be fixed in accordance with the requirements of NZS 3604:2011.

### WALL LINING

- A layer of 10mm or 13mm GIB Braceline® to one side of the wall plus any 10mm or 13mm GIB® plasterboard lining to the other side.
- Sheets can be fixed vertically or horizontally.
- Sheet joints shall be touch fitted.
- Use full length sheets where possible.

### PERMITTED ALTERNATIVES

For permitted GIB® plasterboard alternatives refer to p. 5 in GIB EzyBrace® Systems literature.

### FASTENING THE LINING

#### Fasteners

GIB Braceline® side: 32mm x 6g GIB® Grabber® High Thread Screws or 32mm x 7g GIB® Grabber® Dual Thread Screws. Other side: 32mm x 6g GIB® Grabber® High Thread Screws, 30mm GIB Nails or 32mm x 7g GIB® Grabber® Dual Thread Screws.

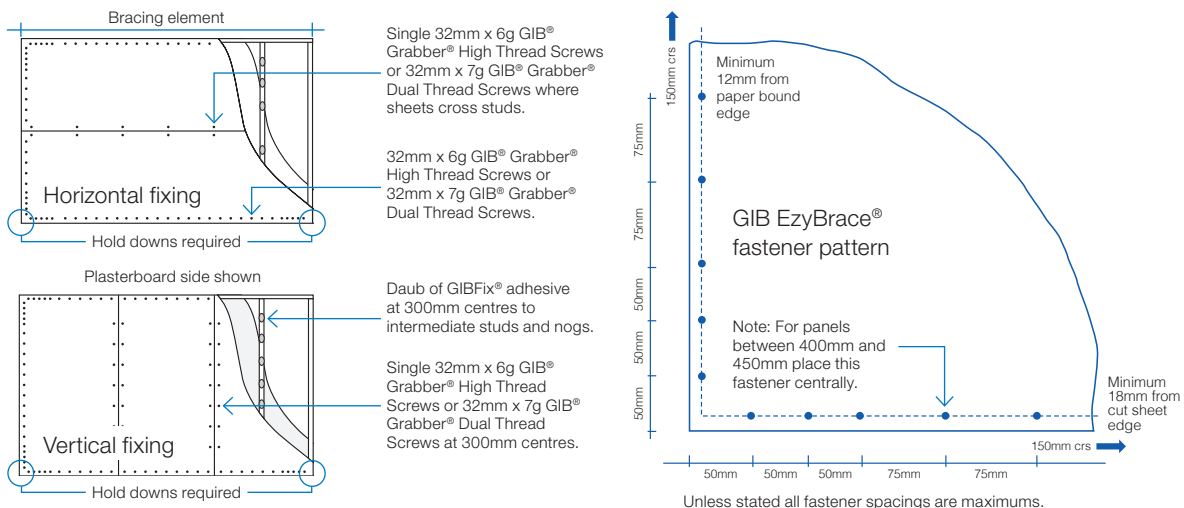
If using the GIBFix® Framing System or if fastening through GIBFix® Angles use only 32mm x 7g GIB® Grabber® Dual Thread Screws.

#### Fastener centres

50,100,150, 225, 300mm maximum from each corner and then 150mm thereafter around the perimeter of the bracing element. For vertically fixed sheets place fasteners at 300mm maximum centres to the intermediate sheet joints. For horizontally fixed sheets place single fasteners to the sheet edge where it crosses the stud. Use daubs of GIBFix® adhesive at 300mm maximum centres to intermediate studs. Place fasteners no closer than 12mm from paper bound sheet edges and 18mm from any sheet end or cut edge.

### JOINTING

Joint strength is important in delivering bracing system performance. All fastener heads stopped and all sheet joints GIB® Joint Tape reinforced and stopped in accordance with the GIB® Site Guide.



In order for GIB® systems to perform as tested, all components must be installed exactly as prescribed. Substituting components produces an entirely different system and may seriously compromise performance. Follow the specifications. This specification sheet is issued in conjunction with the publication GIB EzyBrace® Systems



## GIB EzyBrace® Systems specification BLP-H

Specification code	Minimum length (m)	Lining requirement	Other requirements
BLP-H	0.4	10mm or 13mm GIB Braceline® to one side of the frame plus minimum 7mm structural plywood manufactured to AS/NZ 2269.0 :2012 to the other side	Hold downs

### WALL FRAMING

Wall framing to comply with;

- NZBC B1 — Structure; B1/AS1 Clause 3 Timber (NZS 3604:2011).
- NZBC B2 — Durability B2/AS1 Clause 3.2 Timber (NZS 3602).

Framing dimensions and height as determined by NZS 3604:2011 stud and top plate tables for load bearing and non-bearing walls. The use of kiln dried stress graded timber is recommended.

### BOTTOM PLATE FIXING

#### Timber floor

Use panel hold downs at each end of the bracing element. The GIB® HandiBrac is recommended. See details in GIB EzyBrace® Systems or GIB® Site Guide.

Pairs of hand driven 100 x 3.75mm nails at 600mm centres; or Three power driven 90 x 3.15mm nails at 600mm centres.

#### Concrete floor

Use panel hold downs at each end of the bracing element. The GIB HandiBrac® is recommended. See details in GIB EzyBrace® Systems or GIB® Site Guide. Within the length of the bracing element bottom plates are to be fixed in accordance with the requirements of AS/NZ 2269/0 :2012.

### WALL LINING

- A layer of 10mm or 13mm GIB Braceline® to one side of the wall plus minimum 7mm structural plywood manufactured to AS/NZS 2269.0 :2012 to the other side.
- Sheets can be fixed vertically or horizontally.
- Plywood is to be fixed vertically with edges supported.
- Sheet joints shall be touch fitted.
- Use full length sheets where possible.

### PERMITTED ALTERNATIVES

For permitted GIB® plasterboard alternatives refer to p. 5 in GIB EzyBrace® Systems literature.

### FASTENING THE LINING

#### Fasteners

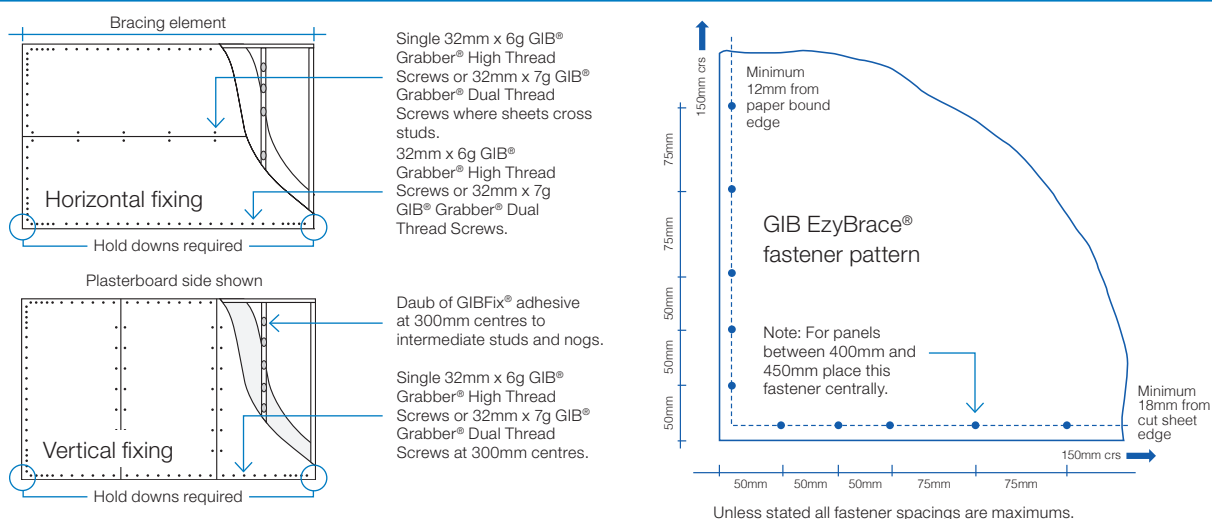
GIB Braceline® side: 32mm x 6g GIB® Grabber® High Thread Screws or 32mm x 7g GIB® Grabber® Dual Thread Screws. Plywood: 50 x 2.8mm Galv or Stainless steel annular grooved FH nails. If using the GIBFix® Framing System or if fastening through GIBFix® Angles use only 32mm x 7g GIB® Grabber® Dual Thread Screws.

#### Fastener centres

GIB® Plasterboard side: 50,100,150, 225, 300mm from each corner and then 150mm thereafter around the perimeter of the bracing element. For vertically fixed sheets place fasteners at 300mm centres to the intermediate sheet joints. For horizontally fixed sheets place single fasteners to the sheet edge where it crosses the stud. Use daubs of GIBFix® adhesive at 300mm centres to intermediate studs. Place fasteners no closer than 12mm from paper bound sheet edges and 18mm from any sheet end or cut edge. Plywood side: 150mm centres to the perimeter of each sheet. GIB® corner fastener pattern does not apply to the plywood side. 300mm centres to intermediate studs.

### JOINTING

Joint strength is important in delivering bracing system performance. All fastener heads stopped and all sheet joints GIB® Joint Tape reinforced and stopped in accordance with the GIB® Site Guide.



In order for GIB® systems to perform as tested, all components must be installed exactly as prescribed. Substituting components produces an entirely different system and may seriously compromise performance. Follow the specifications. This specification sheet is issued in conjunction with the publication GIB EzyBrace® Systems



Winstone Wallboards is committed to protecting the environment. Environmental matters are integrated into all business activities:

- Our operations strive to exceed all environmental regulatory requirements at all times.
- Protection of the environment is a day to day responsibility that we all must accept.
- We allocate appropriate management time and resources to address relevant environmental issues and continuously improve our activities in that area.
- We will achieve our standards of performance through positive action, employee involvement and constant communication with our neighbours, local authorities and customers.

Minimise on-site waste when designing and/or installing GIB® Systems. For larger projects give consideration to our cut-to-length service to reduce waste. GIB® plasterboard off-cuts, if separated from other waste building materials, can be readily recycled.

For larger projects waste can be diverted to compost manufacturers who grind up the GIB® plasterboard and use it in compost. For smaller projects, the GIB® plasterboard can be ground up and spread around the building site.

#### GLOBAL GREENTAG<sup>CERT™</sup>

The Global GreenTag<sup>Cert™</sup> certified eco-label acknowledges product as meeting the GreenRate Standard set by Global GreenTag<sup>Cert™</sup>.

GIB® plasterboard has a Level B green rating.

#### DECLARE CERTIFICATION

Declare is a database of non-toxic, sustainably sourced building products.

Many GIB® plasterboard products including GIB® Standard, GIB Braceline®, GIB Noiseline® and GIB Aqualine® have achieved Red List Free status in Declare certification.

For more information on Winstone Wallboards sustainability commitments visit [gib.co.nz](http://gib.co.nz).

#### COPYRIGHT

Copyright © Winstone Wallboards Ltd 2016. All of the material contained in this brochure, including all text, tables, charts, graphs, drawings, images, diagrams are protected by copyright. These materials may not be reproduced, adapted or transmitted in any form by any process, without the permission of Winstone Wallboards Ltd.

Winstone Wallboards asserts its moral rights and reserves all other intellectual property rights in the materials contained in this brochure and related to GIBFix® Framing System and GIB EzyBrace® Systems.

#### TRADEMARKS

The names GIB®, GIB Fyreline®, GIB Ultraline®, GIB Braceline®, GIB Toughline®, GIB Noiseline®, GIB Aqualine®, GIB Nail®, GIB Tradeset®, GIB Plus 4®, GIB-Cove®, GIB Lite Blue®, GIBFix®, the colour mauve for GIB Toughline®, GIB HandiBrac®, GIB EzyBrace®, the colour blue for GIB Braceline®, the colour pink for GIB Fyreline®, the colour green for GIB Aqualine®, and the shield device are registered trademarks of Fletcher Building Holdings Limited.

#### PATENTS

GIBFix® Framing System and GIB EzyBrace® Systems, including componentry and design method, have patents pending (NZ Patent Number 596691, NZ Patent 709159 pending) and design and other IP rights.



**FOR MORE INFORMATION VISIT**

[gib.co.nz](http://gib.co.nz)

**OR CALL THE GIB® HELPLINE**

0800 100 442