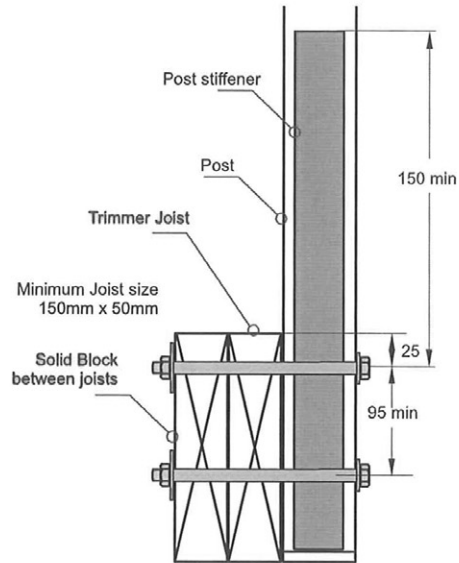


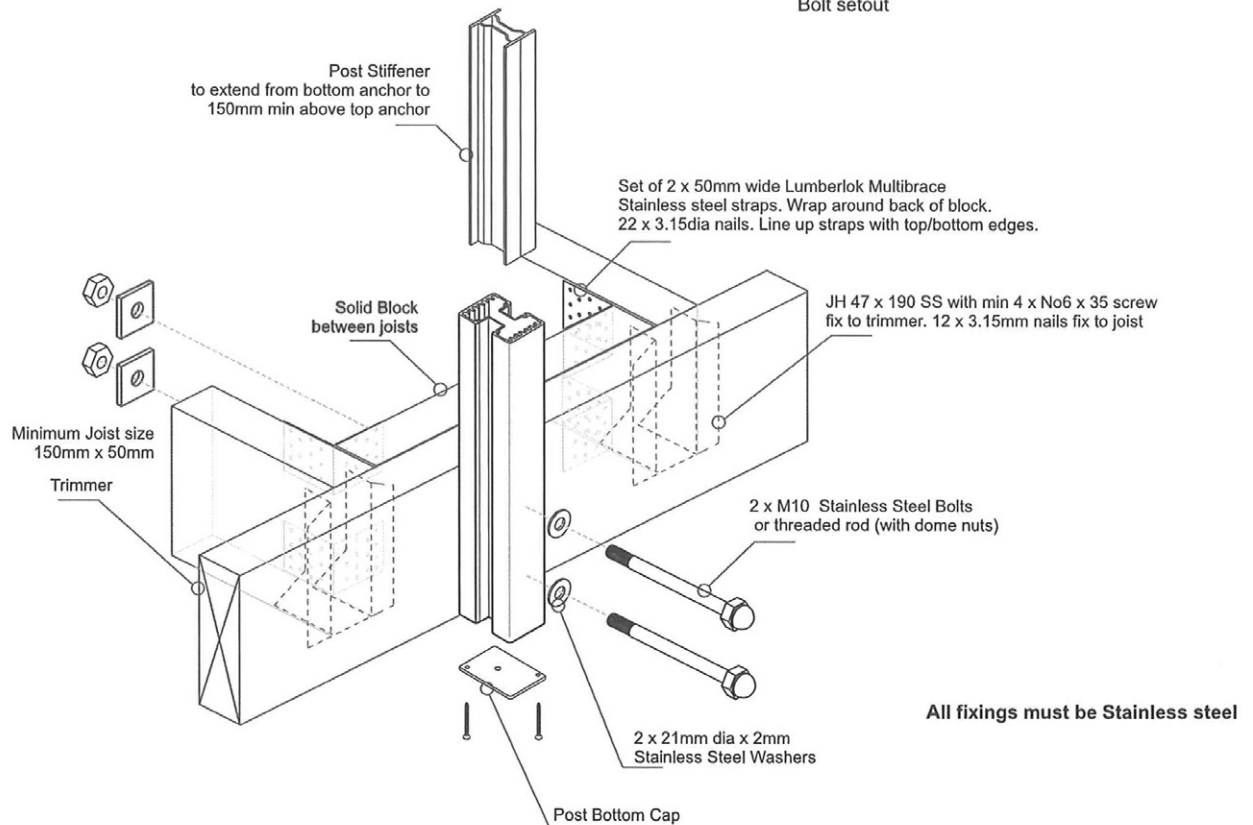
## SEMI FRAMELESS ALUMINIUM POSTS

### Typical Face Fix to Timber Deck

Using bolts or threaded rods



Bolt setout



Design engineer must ensure deck can support a moment of 2.03 KNm applied at each post